



US00D882154S

(12) **United States Design Patent**
Zheng

(10) **Patent No.:** **US D882,154 S**

(45) **Date of Patent:** **** Apr. 21, 2020**

(54) **LAMP**

D779,705 S 2/2017 Starck

* cited by examiner

(71) Applicant: **Jiefang Zheng**, Shenzhen (CN)

Primary Examiner — Brian N. Vinson

(72) Inventor: **Jiefang Zheng**, Shenzhen (CN)

(**) Term: **15 Years**

(57) **CLAIM**

The ornamental design for a lamp, as shown and described.

(21) Appl. No.: **29/715,843**

DESCRIPTION

(22) Filed: **Dec. 5, 2019**

(51) **LOC (12) Cl.** **26-03**

(52) **U.S. Cl.**
USPC **D26/110**

(58) **Field of Classification Search**

USPC D26/24, 93, 95, 104, 106, 110

CPC F21S 6/00; F21S 6/002; F21S 6/004; F21S
6/008; F21S 8/08; F21V 21/00; F21V
21/02; F21W 2131/30

See application file for complete search history.

FIG. 1 is a perspective view of a lamp showing my new design where the lamp is in a configuration of use;

FIG. 2 is another perspective view thereof;

FIG. 3 is a front elevational view thereof;

FIG. 4 is a rear elevational view thereof;

FIG. 5 is a left side elevational view thereof;

FIG. 6 is a right side elevational view thereof;

FIG. 7 is a top plan view thereof;

FIG. 8 is a bottom plan view thereof;

FIG. 9 is a perspective of the lamp where the lamp is in another configuration of use;

FIG. 10 is another perspective view thereof;

FIG. 11 is an enlarged view of portion 11 shown in FIG. 1;

FIG. 12 is an enlarged view of portion 12 shown in FIG. 1;

and,

FIG. 13 is an enlarged view of portion 13 shown in FIG. 2.

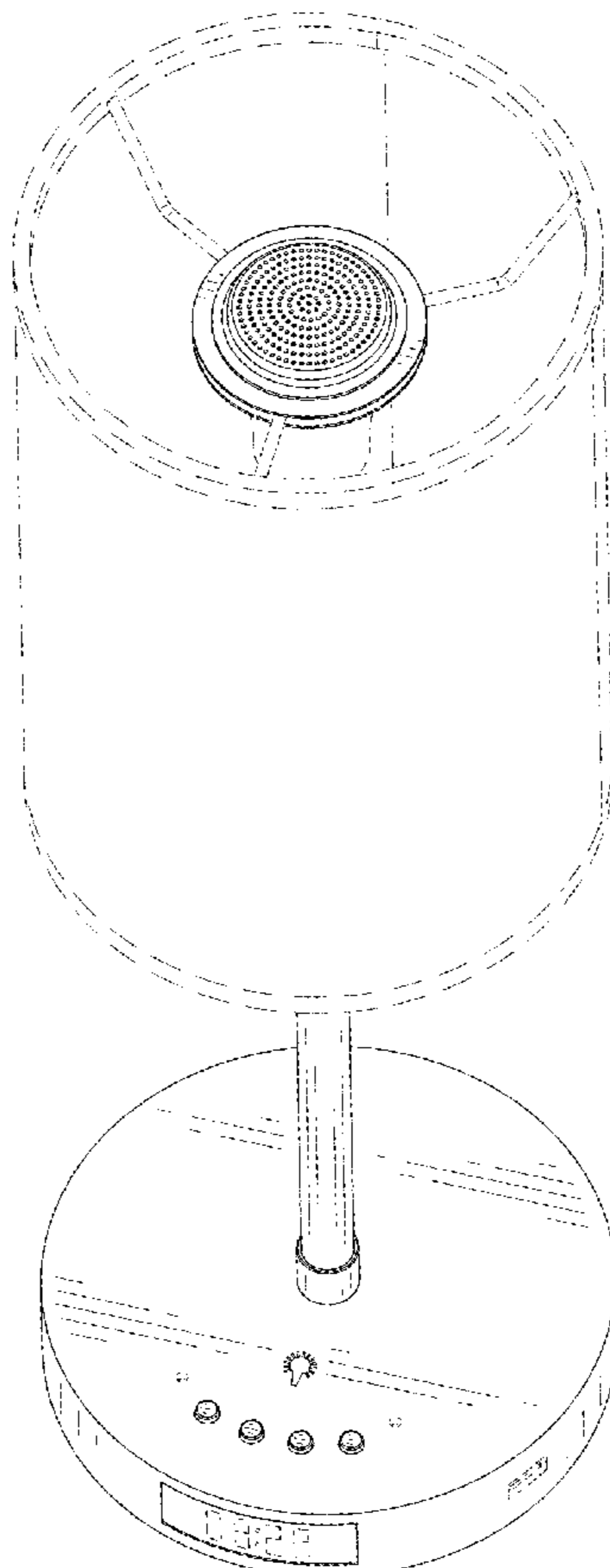
The broken lines in the drawings depict portions of the lamp that form no part of the claimed design.

(56) **References Cited**

U.S. PATENT DOCUMENTS

D366,719 S	1/1996	Porter	
D589,646 S *	3/2009	Sabernig D26/110
D608,045 S	1/2010	Chandler	
D647,242 S *	10/2011	Staples D26/93
D733,348 S *	6/2015	Dolan D26/93
D739,070 S	9/2015	Wilson	
D768,909 S *	10/2016	Maier D26/110

1 Claim, 13 Drawing Sheets



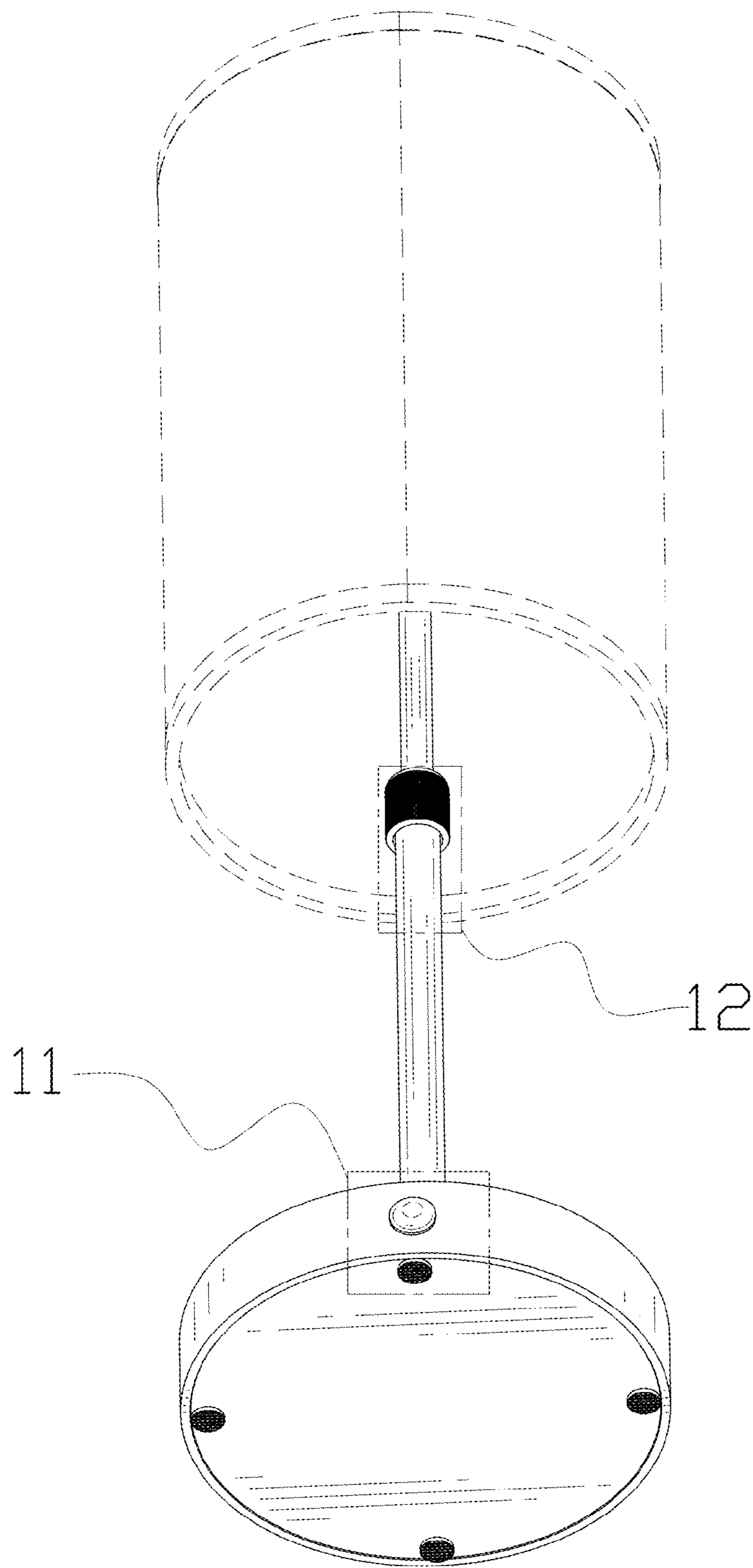


FIG. 1

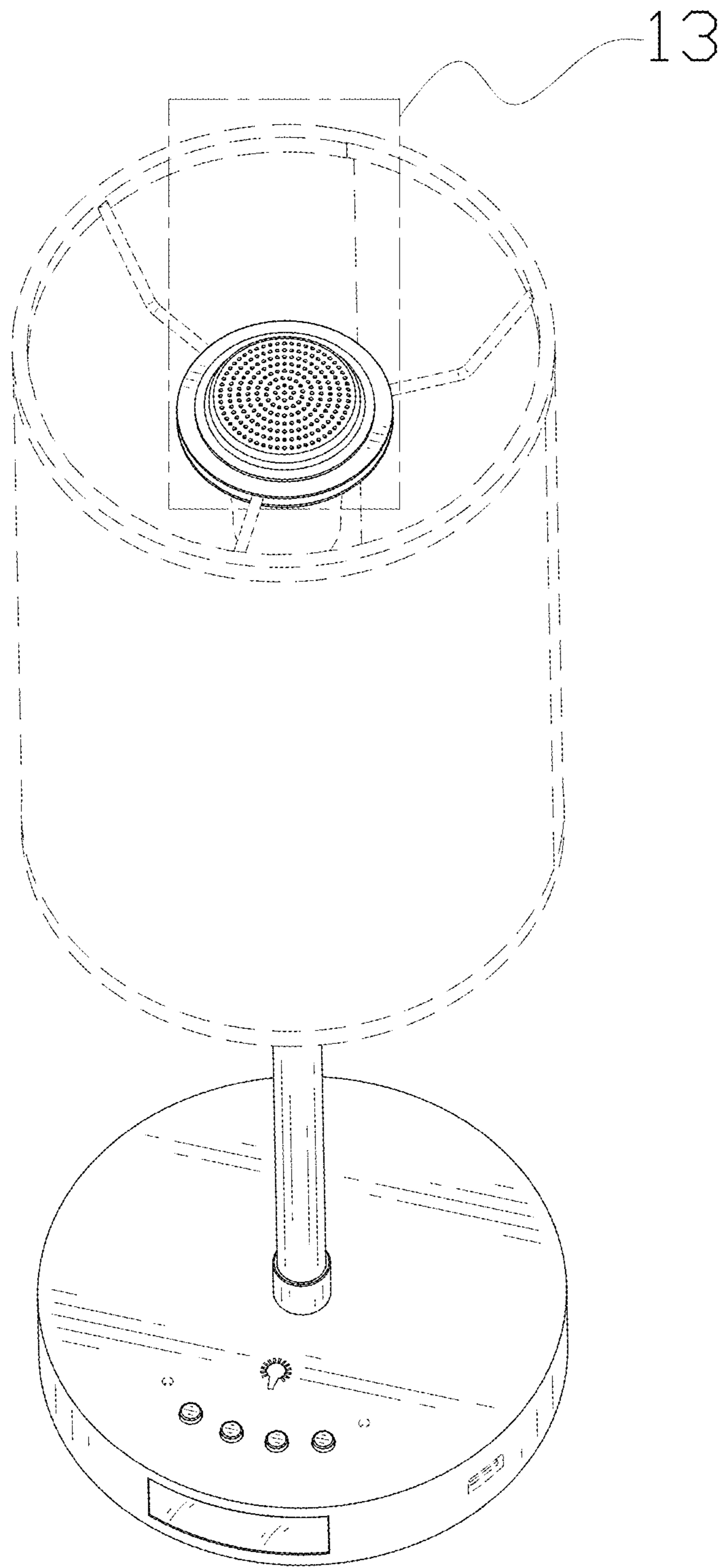


FIG. 2

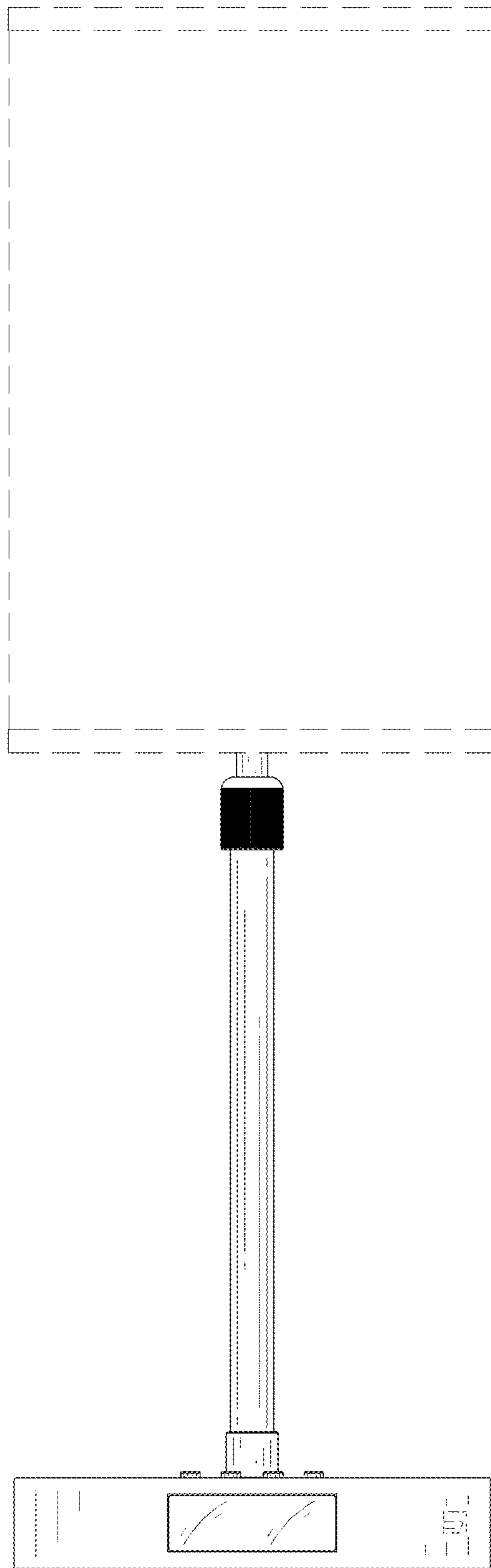


FIG. 3

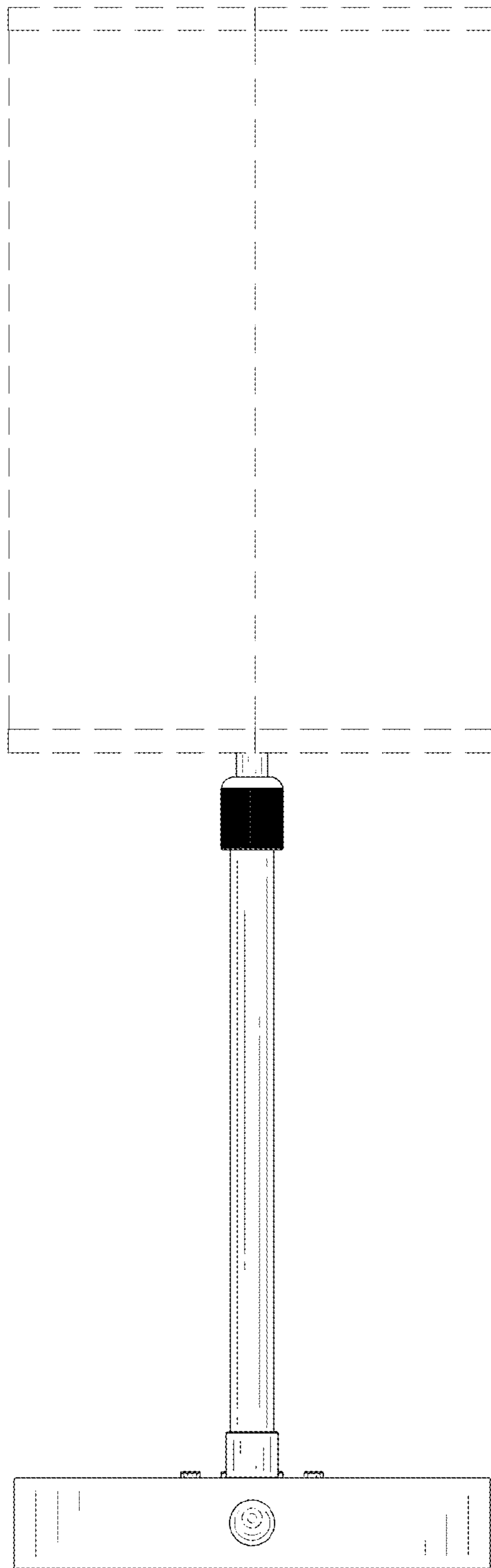


FIG. 4

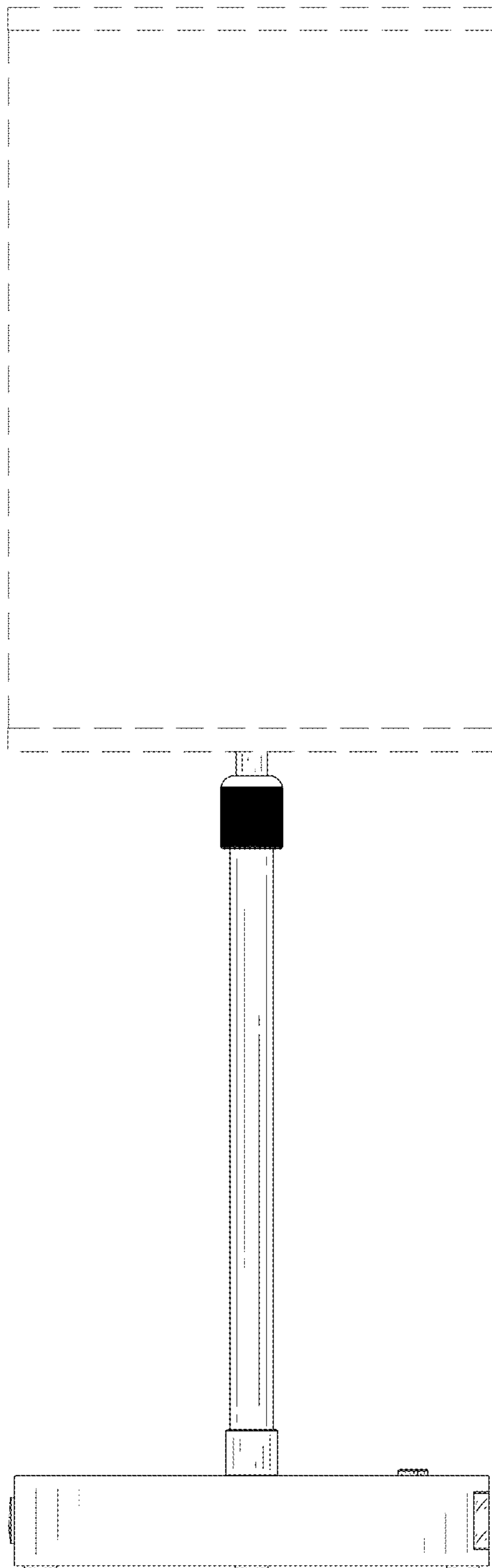


FIG. 5

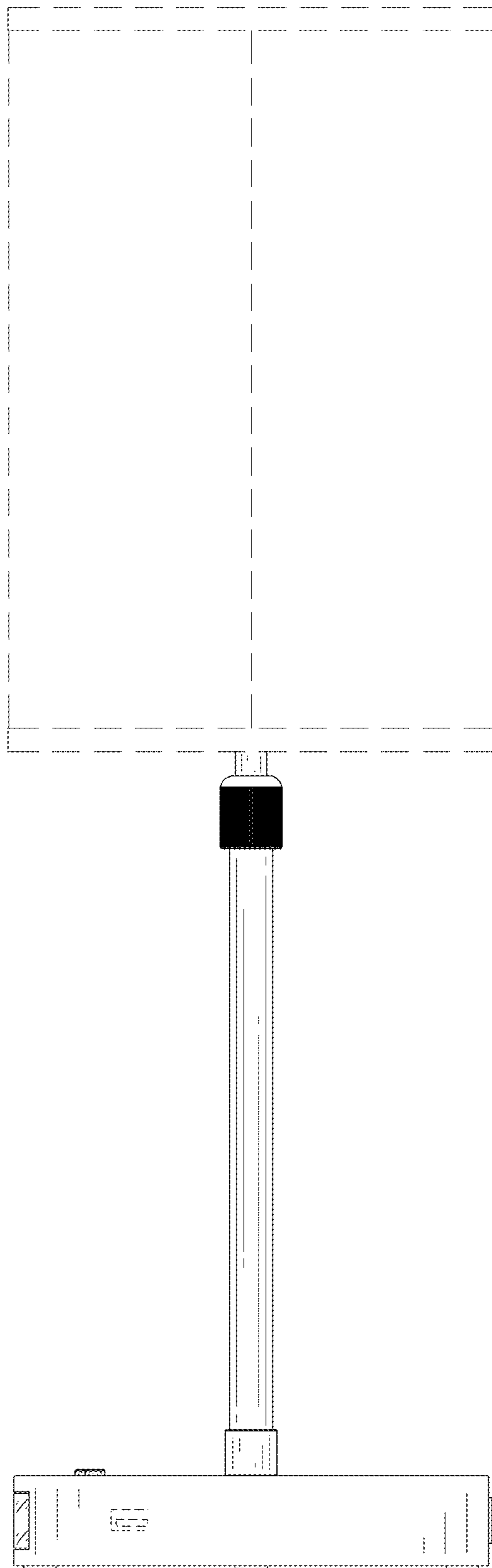


FIG. 6

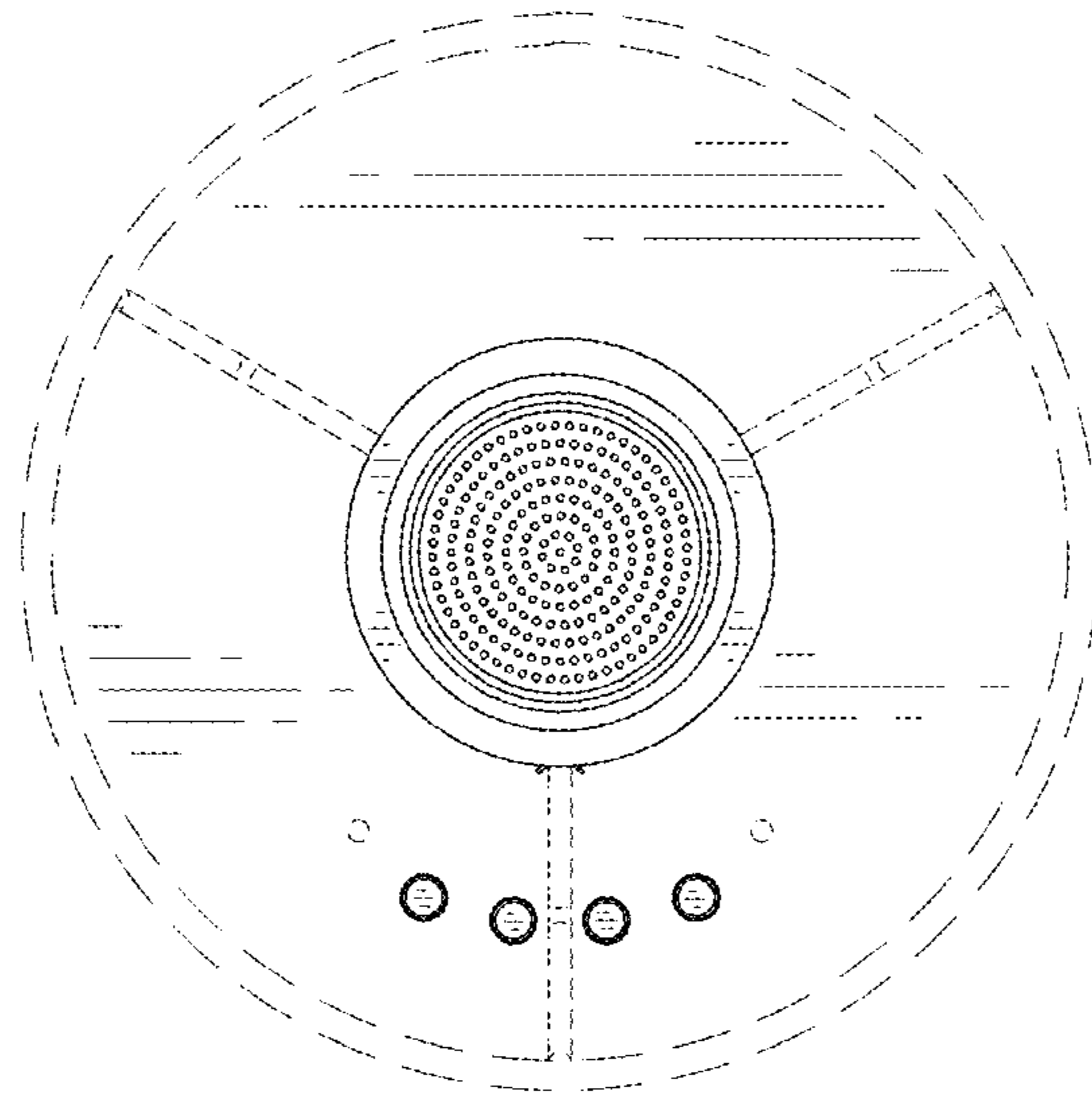


FIG. 7

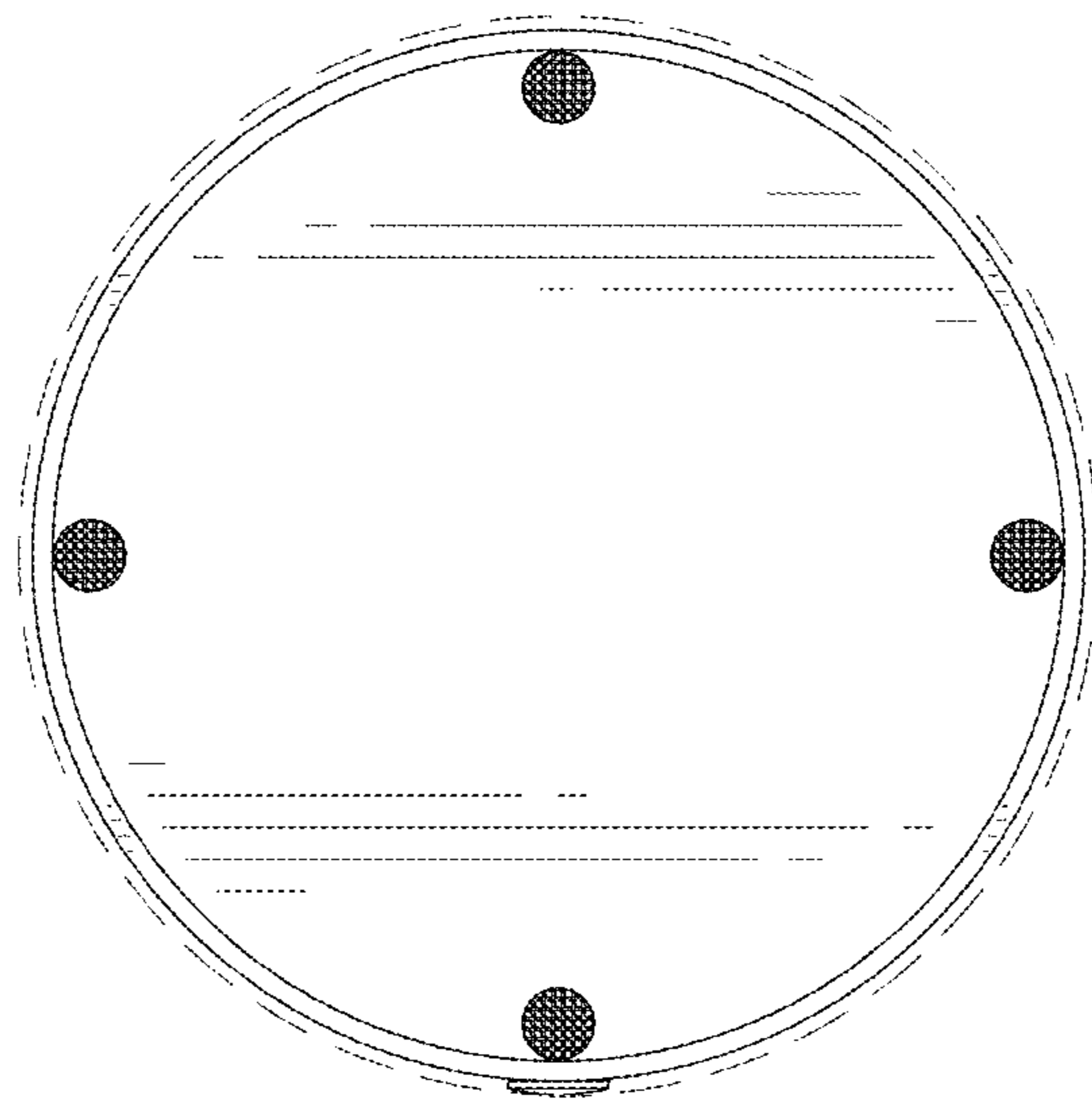


FIG. 8

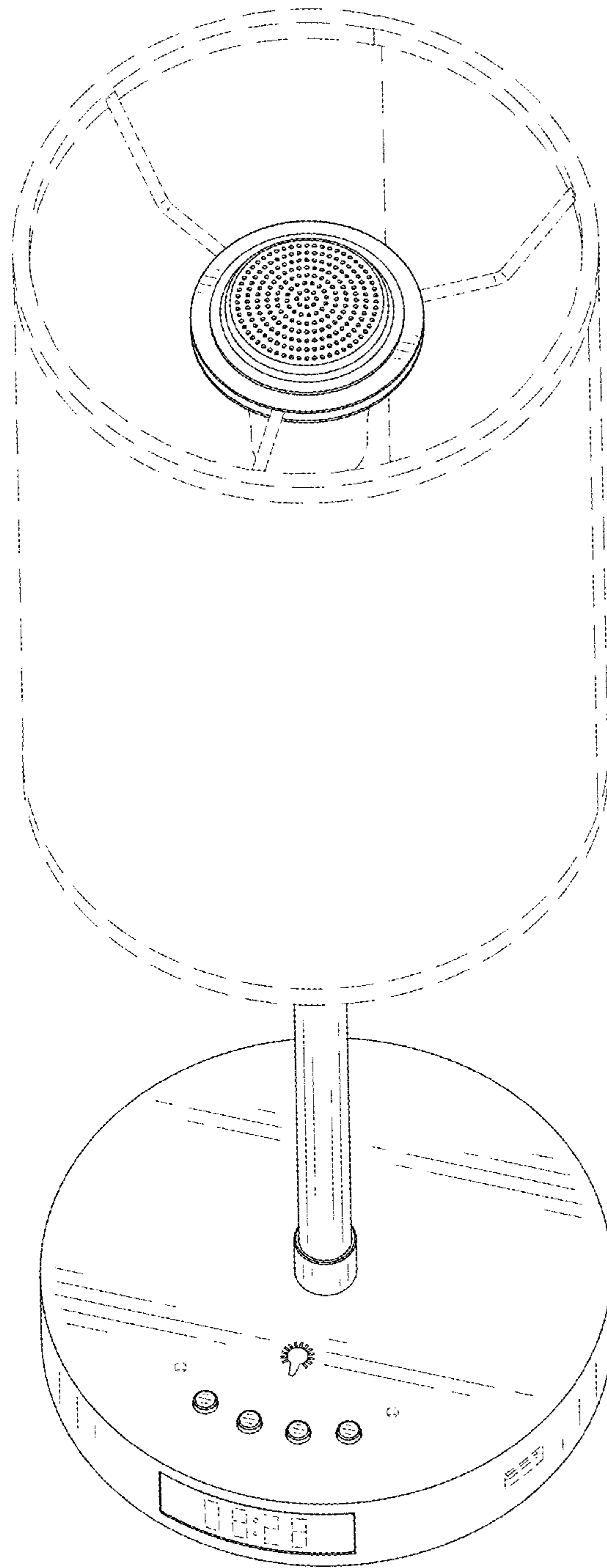


FIG. 9

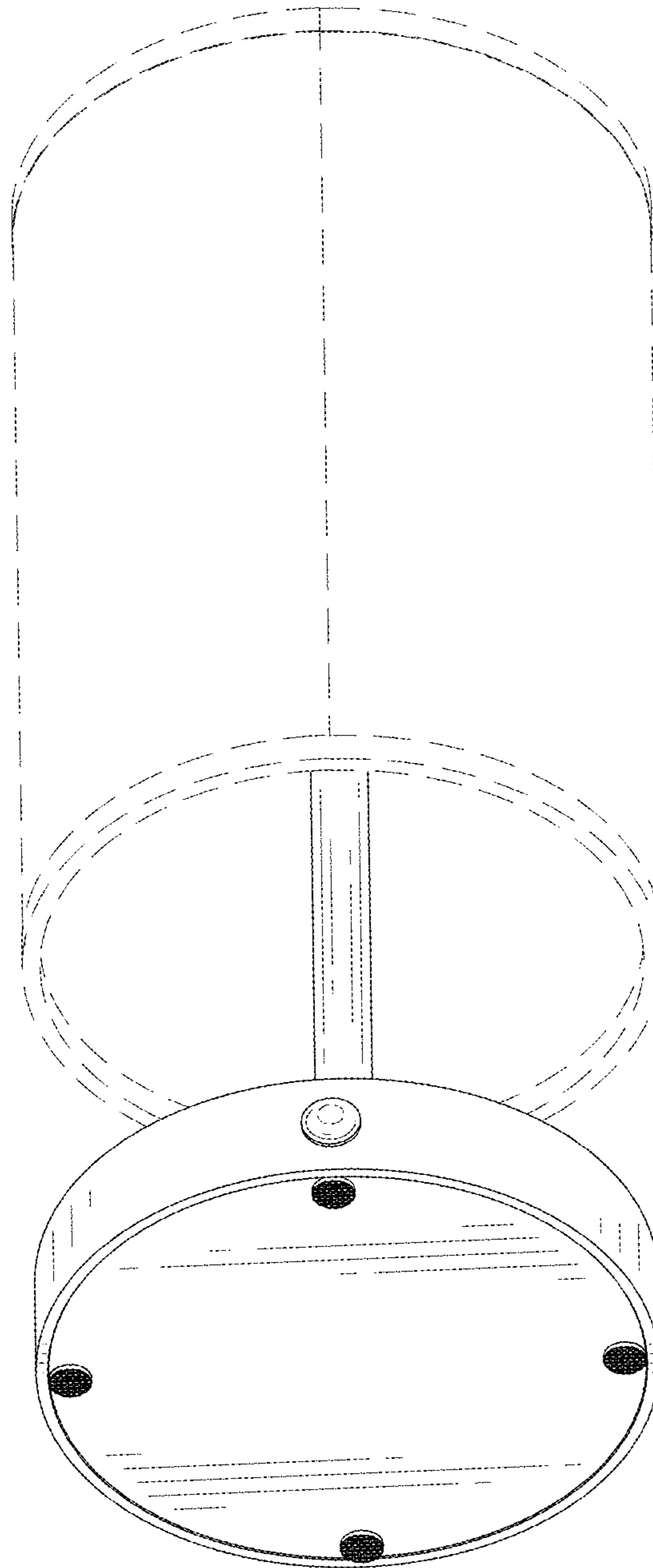


FIG. 10

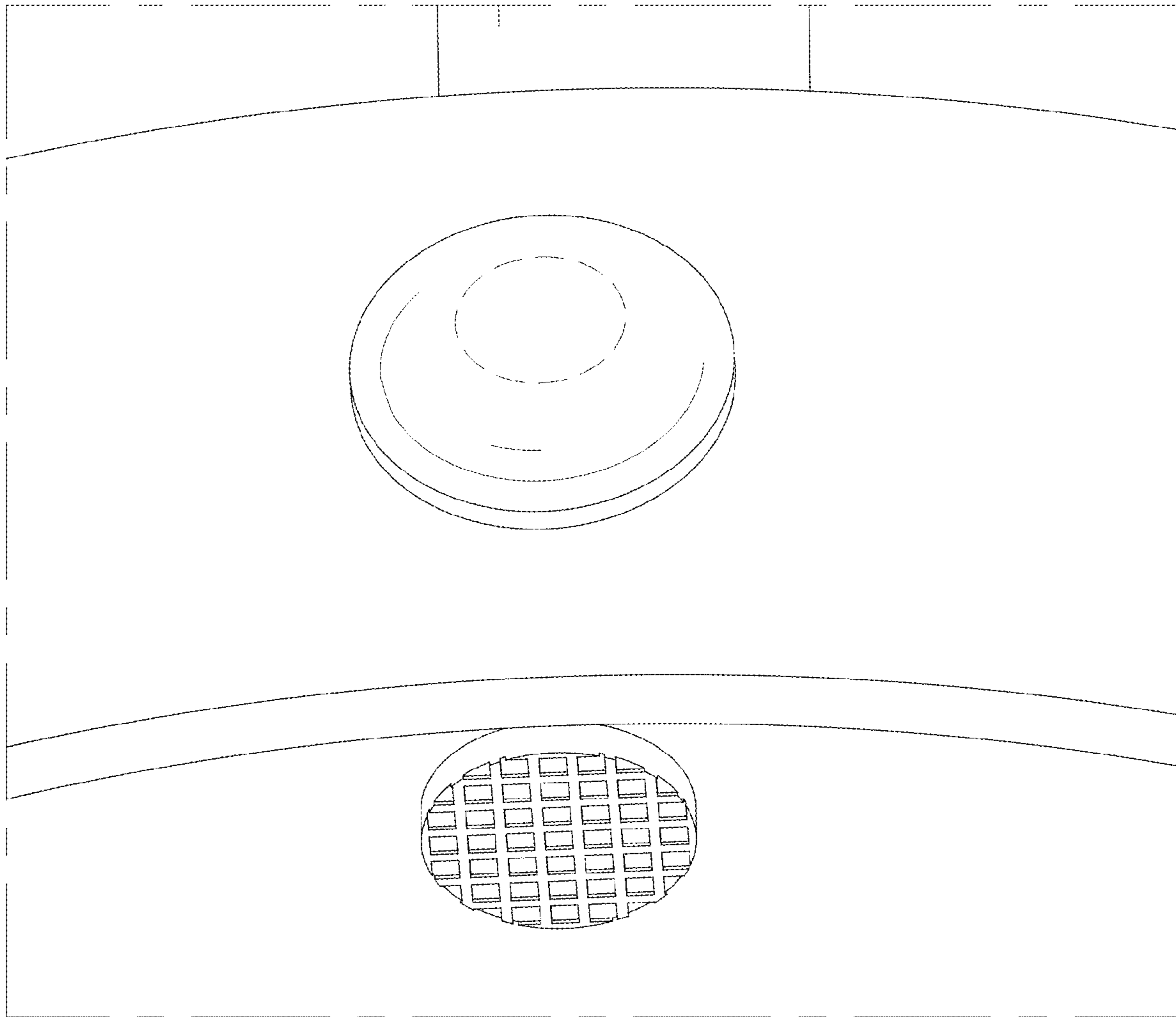


FIG. 11

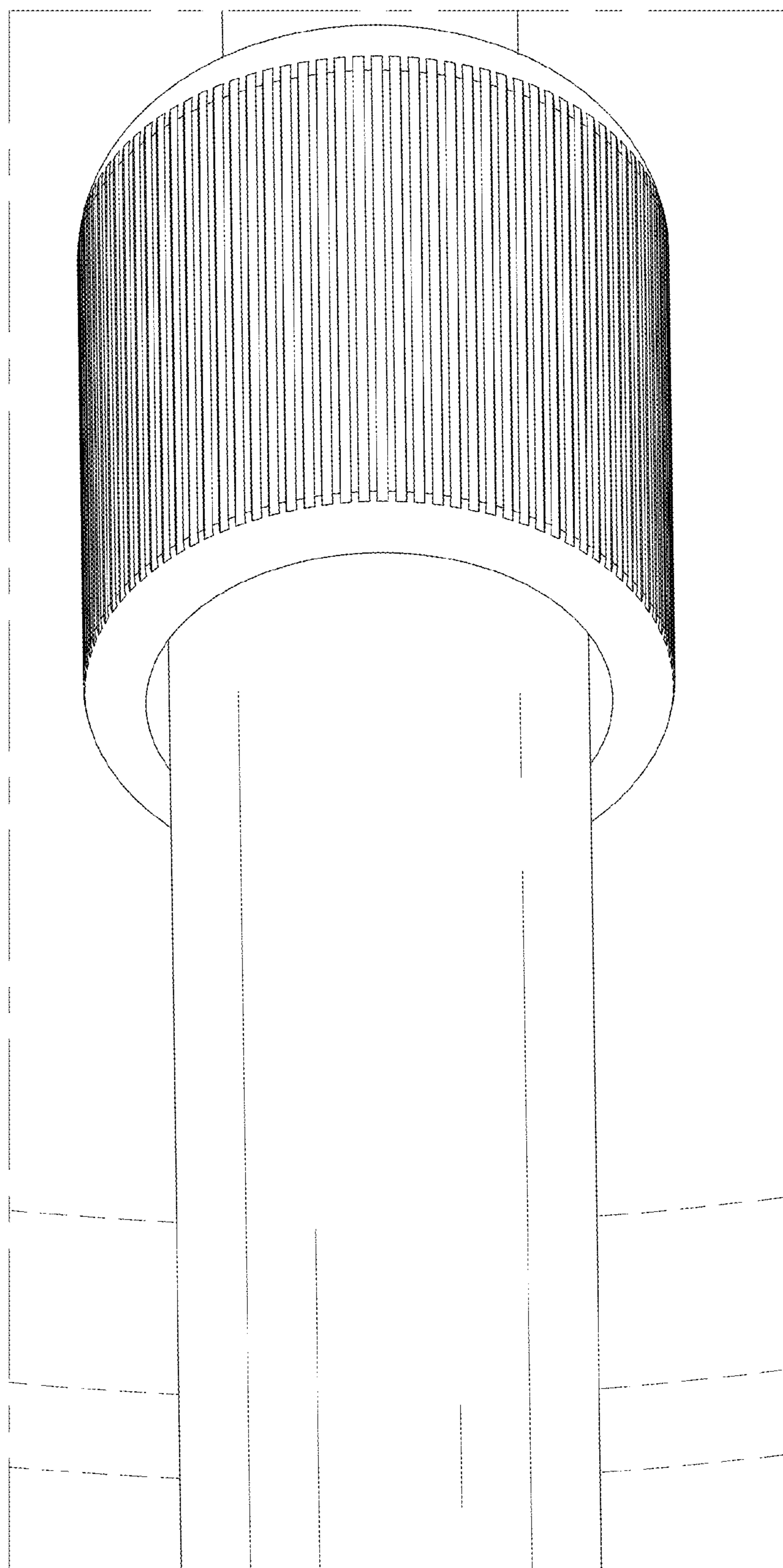


FIG. 12

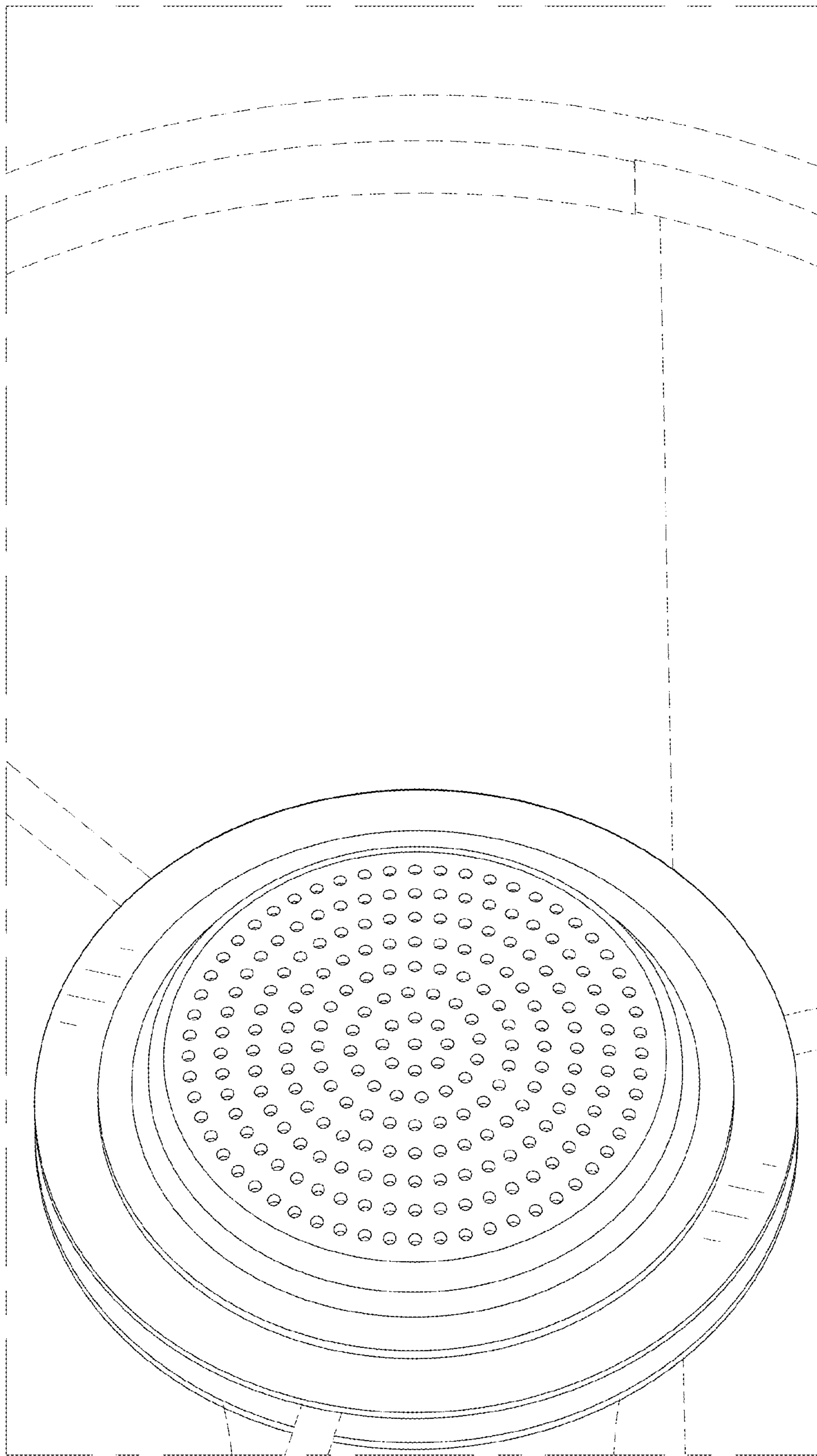


FIG. 13