



US00D882153S

(12) **United States Design Patent**
Amato et al.

(10) **Patent No.:** **US D882,153 S**
(45) **Date of Patent:** **** Apr. 21, 2020**

(54) **LIGHTING FIXTURE**

(71) Applicant: **The Urban Electric Company**, North Charleston, SC (US)

(72) Inventors: **Michael Amato**, London (GB); **David Dawson**, Charleston, SC (US); **Jonathan Charpia**, Summerville, SC (US); **Joeangel Casanova**, North Charleston, SC (US); **Christopher Roof**, Charleston, SC (US); **Brianna Magagnoli**, North Charleston, SC (US); **Janis Golubeckis**, Mount Pleasant, SC (US)

(73) Assignee: **The Urban Electric Company**, North Charleston, SC (US)

(**) Term: **15 Years**

(21) Appl. No.: **29/667,544**

(22) Filed: **Oct. 23, 2018**

(51) **LOC (12) Cl.** **26-03**

(52) **U.S. Cl.**
USPC **D26/110**

(58) **Field of Classification Search**
USPC D26/1, 4, 24, 27, 51, 87, 88, 104, 106, D26/110, 112
CPC .. A63H 13/00; F21S 6/00; F21S 6/002; F21S 10/00; F21V 3/00; F21V 3/0418; F21V 15/00; F21V 21/02; F21V 31/00; F21W 2121/00; F21W 2131/30
See application file for complete search history.

(56) **References Cited**

U.S. PATENT DOCUMENTS

D89,305 S * 2/1933 Hale D26/88
D385,374 S * 10/1997 Shalvi D26/112
D438,665 S * 3/2001 Rochon D26/87

D604,006 S * 11/2009 Silver D26/88
D768,909 S * 10/2016 Maier D26/110
D786,485 S * 5/2017 Amato D26/106
D796,726 S * 9/2017 Tsai D26/110
D806,305 S 12/2017 Amato et al.
D828,609 S * 9/2018 Barber D26/110
D828,610 S 9/2018 Amato et al.

OTHER PUBLICATIONS

<https://www.urbanelectricco.com/rexflushmount.html> (Available Oct. 24, 2016).

U.S. Appl. No. 29/600,262, Amato, Michael.

* cited by examiner

Primary Examiner — Brian N. Vinson

(74) *Attorney, Agent, or Firm* — Haynsworth Sinkler Boyd, P.A.

(57) **CLAIM**

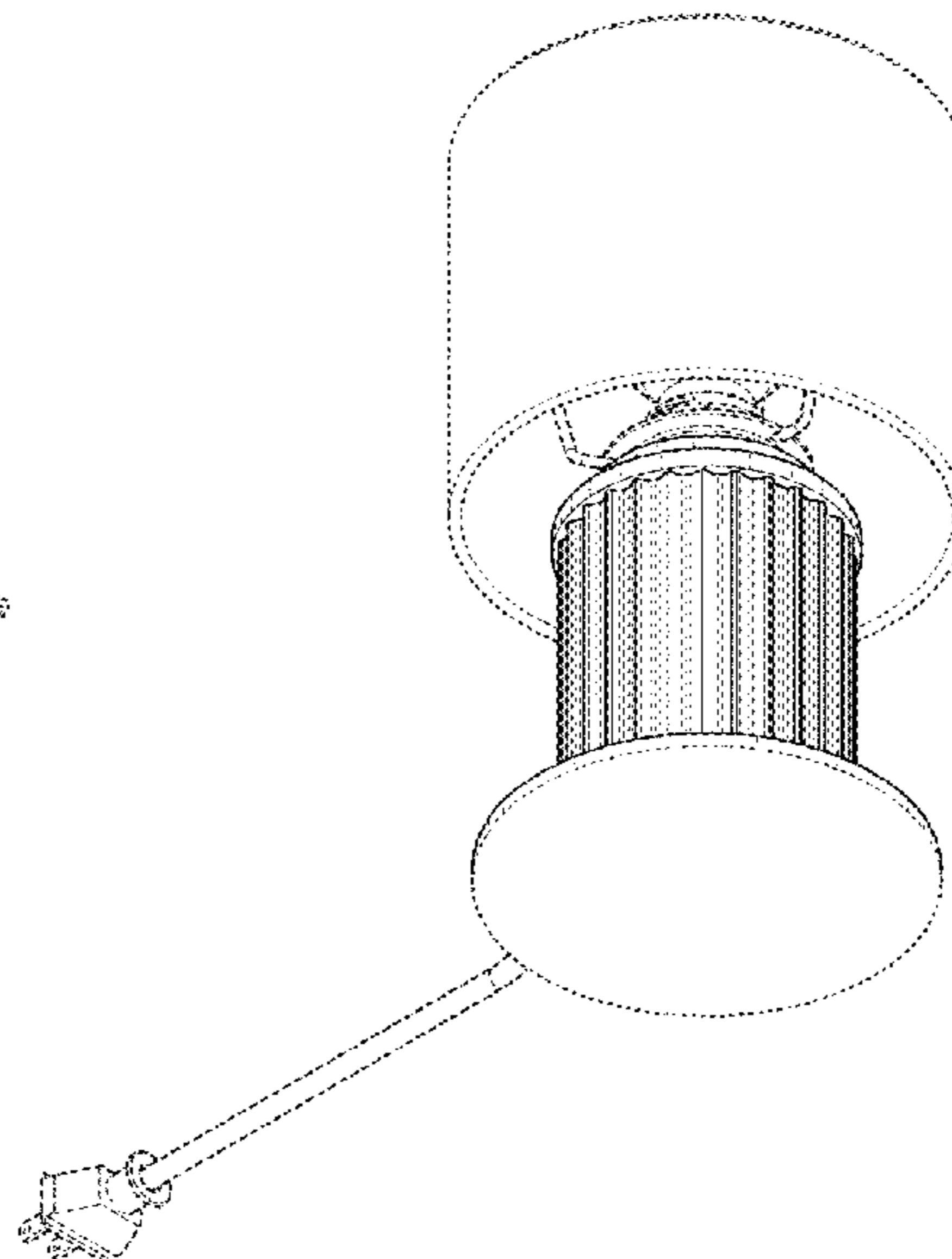
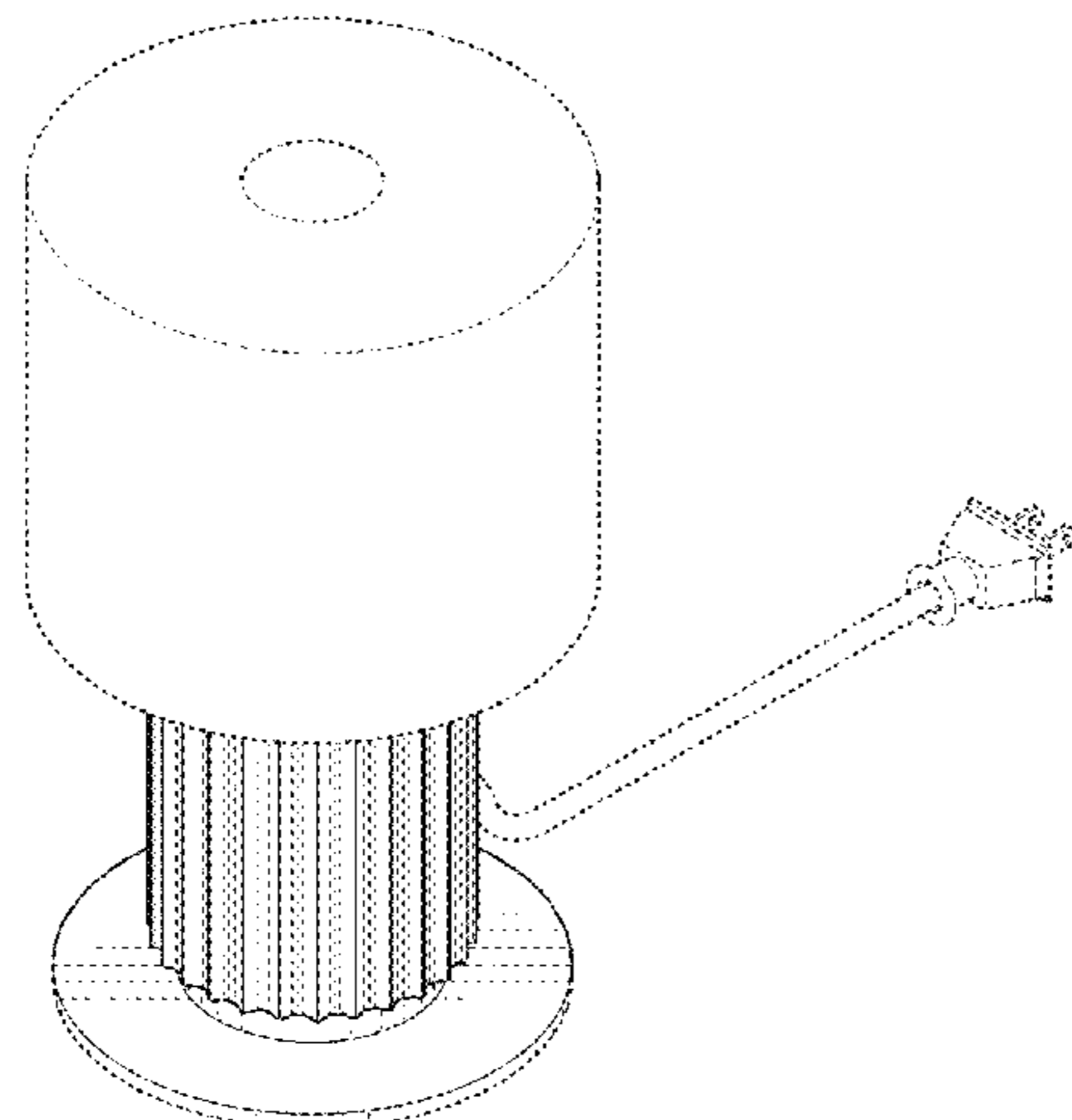
The ornamental design for a lighting fixture, as shown and described.

DESCRIPTION

FIG. 1 is a top perspective view of a lighting fixture depicting a new design;
FIG. 2 is a bottom perspective view thereof;
FIG. 3 is a front elevational view thereof;
FIG. 4 is a back elevational view thereof;
FIG. 5 is a left elevational view thereof;
FIG. 6 is a right elevational view thereof;
FIG. 7 is a top plan view thereof; and,
FIG. 8 is a bottom plan view thereof.

The horizontal broken line extending out beyond the perimeter of the bottom surface of the fixture in FIGS. 3-6 is intended to demonstrate environment only and forms no part of the claimed design. The remaining broken line disclosure in the views represents portions of the lighting fixture that form no part of the claimed design.

1 Claim, 8 Drawing Sheets



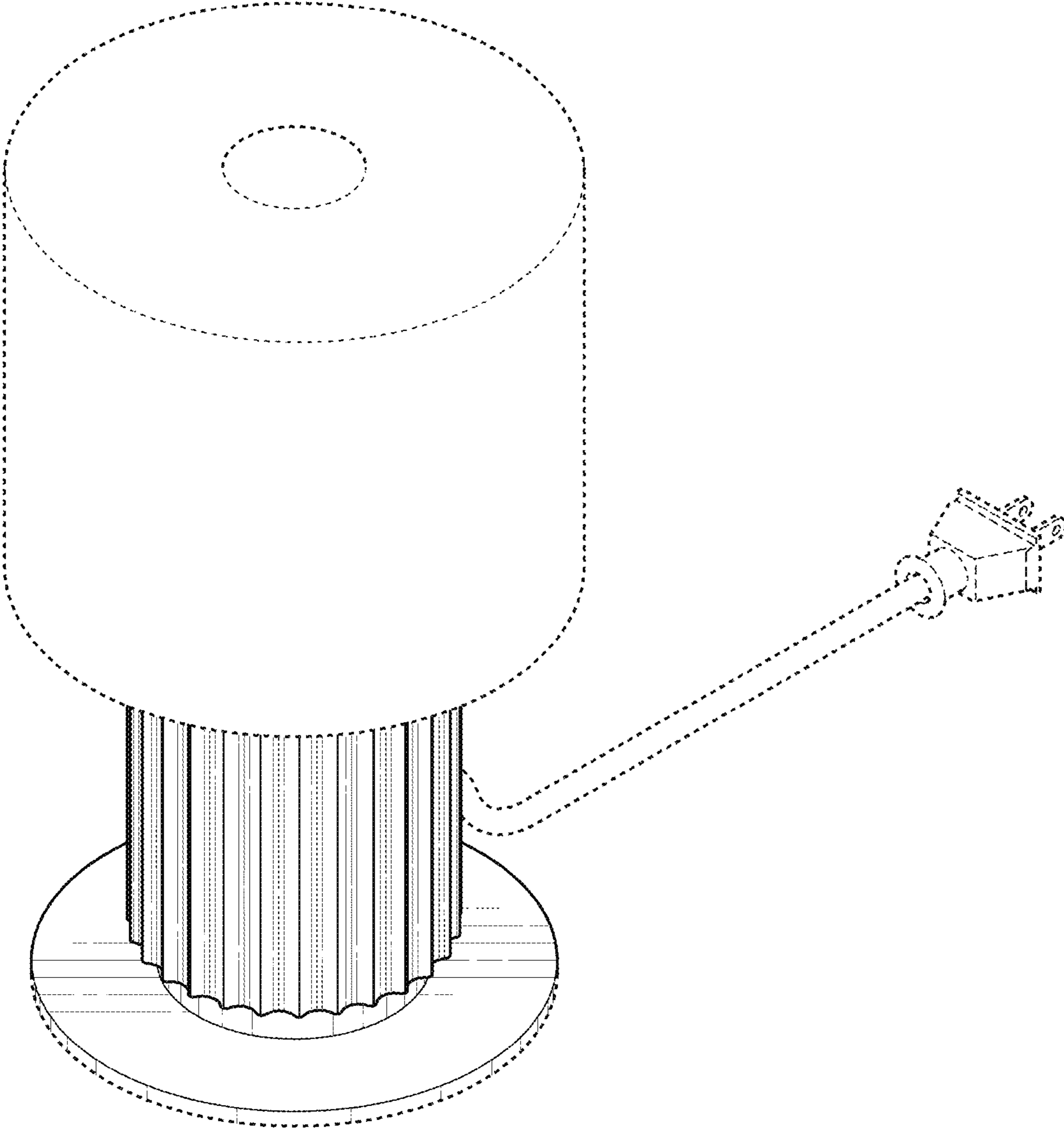


FIG. 1

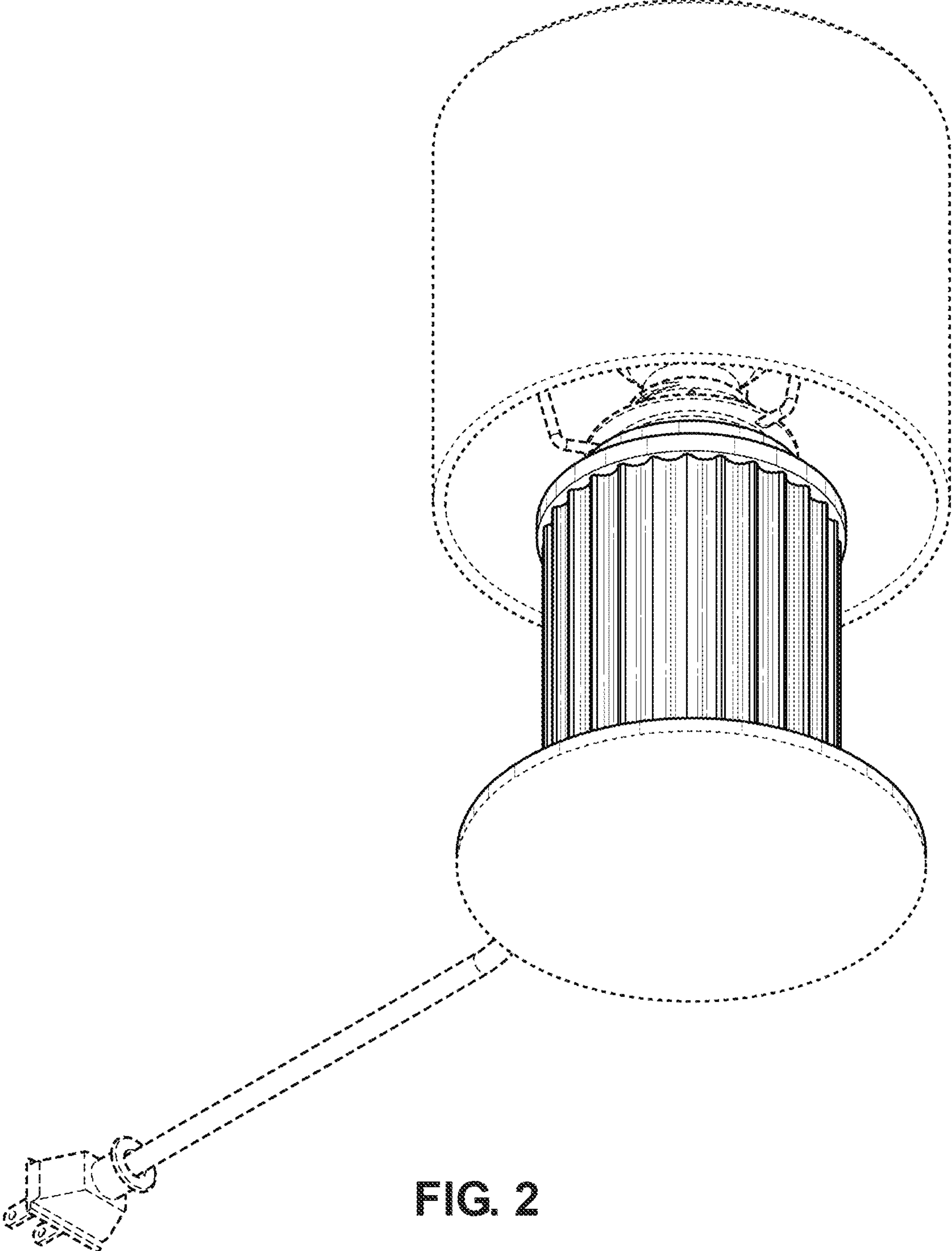


FIG. 2

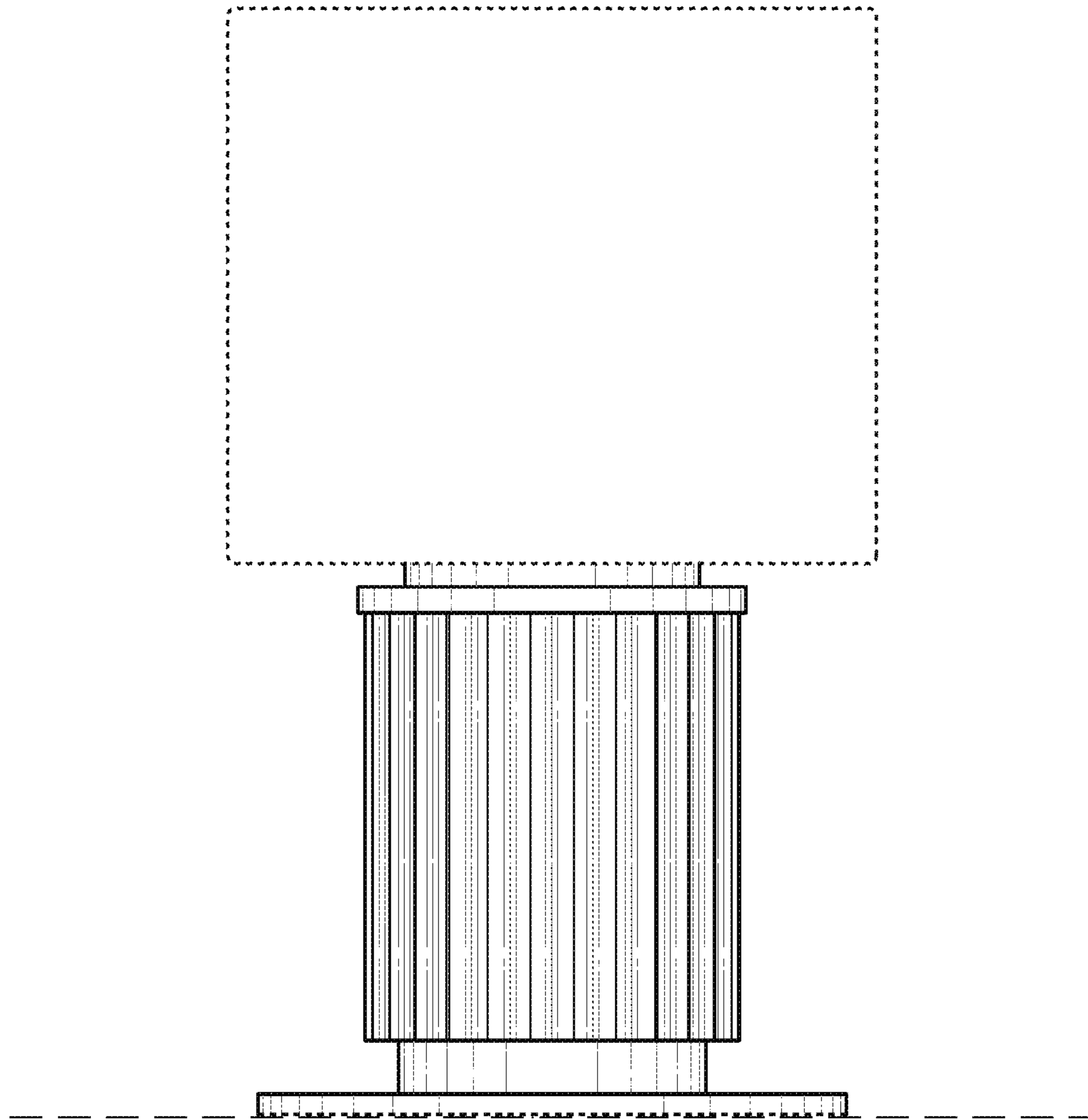


FIG. 3

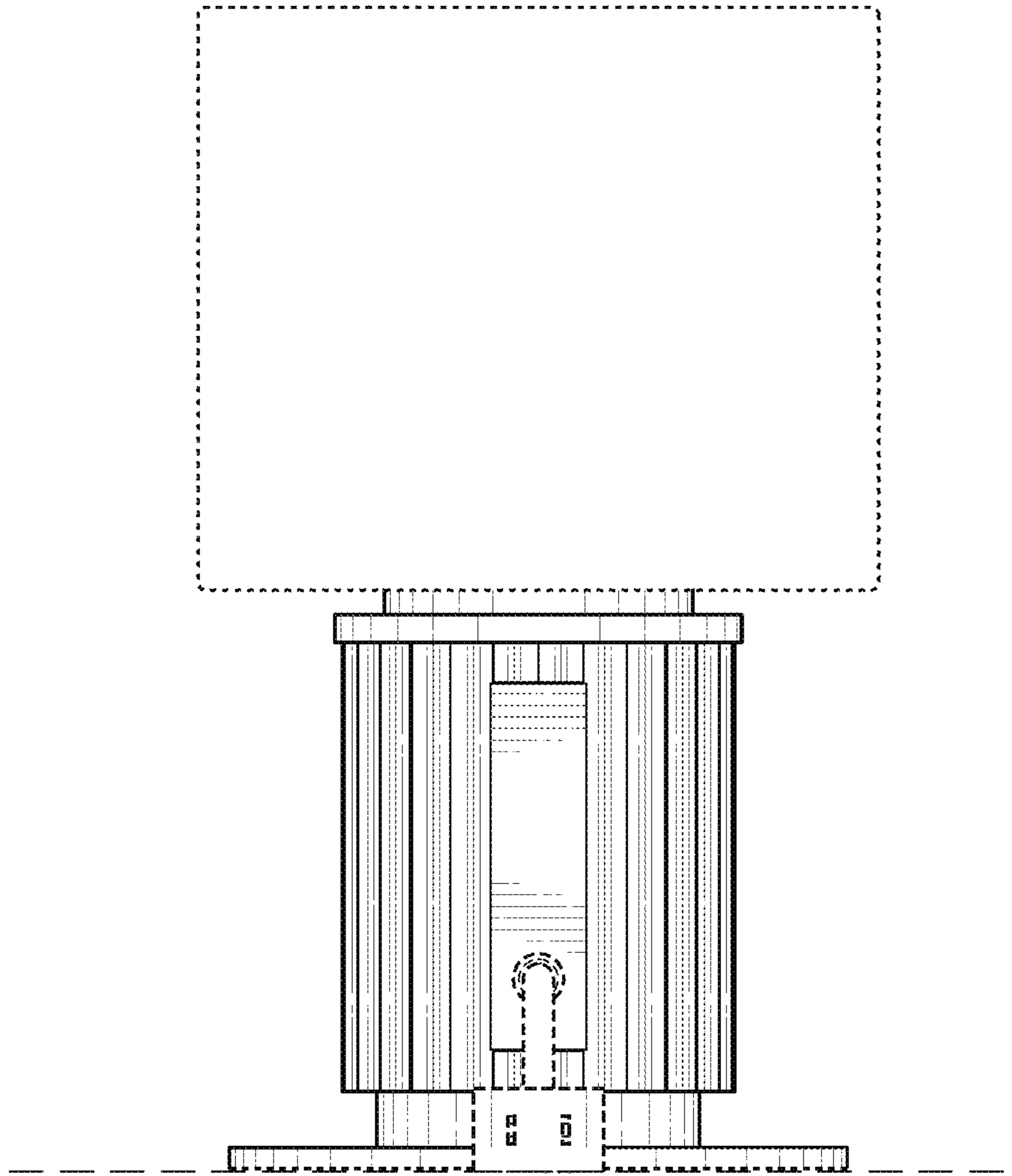


FIG. 4

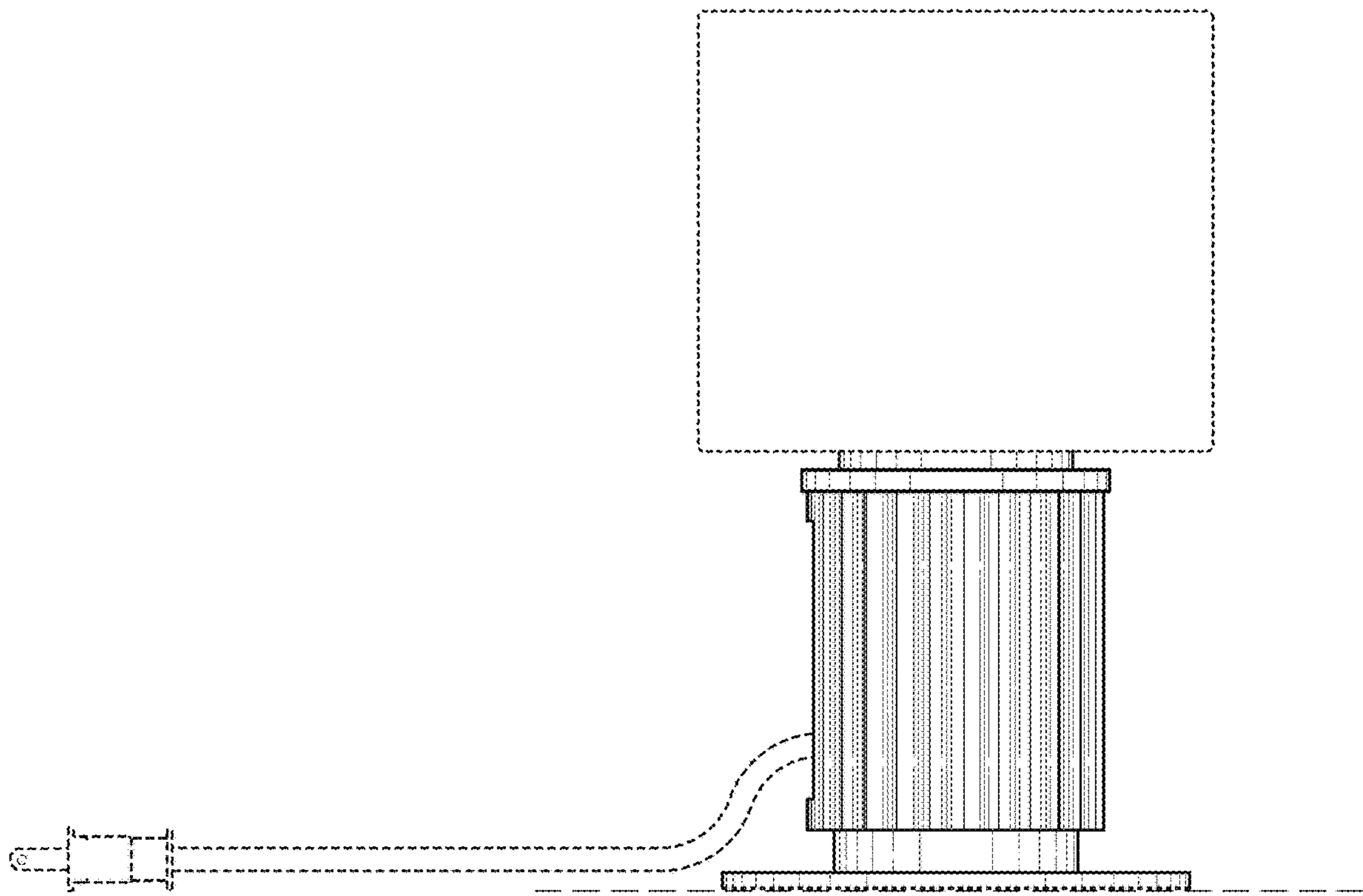


FIG. 5

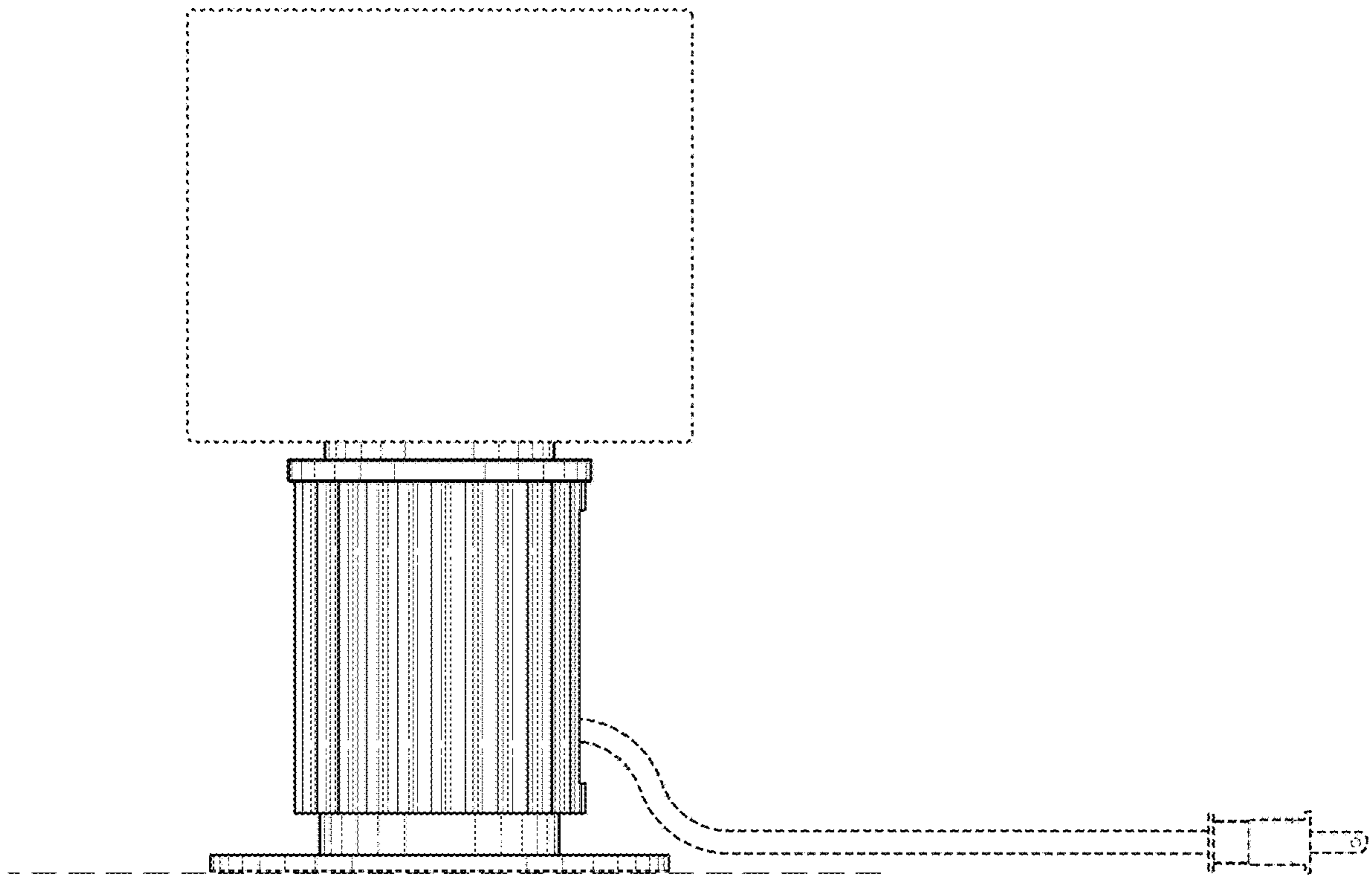


FIG. 6

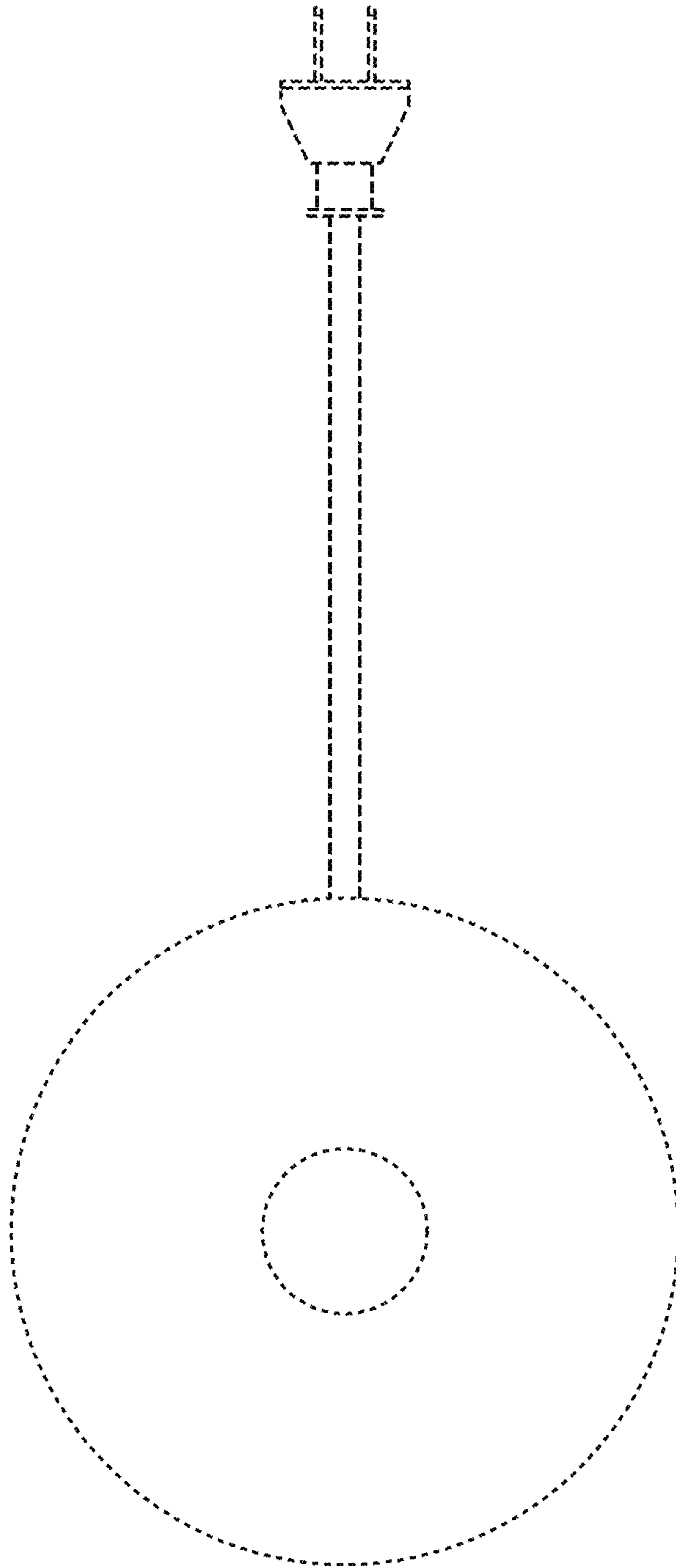


FIG. 7

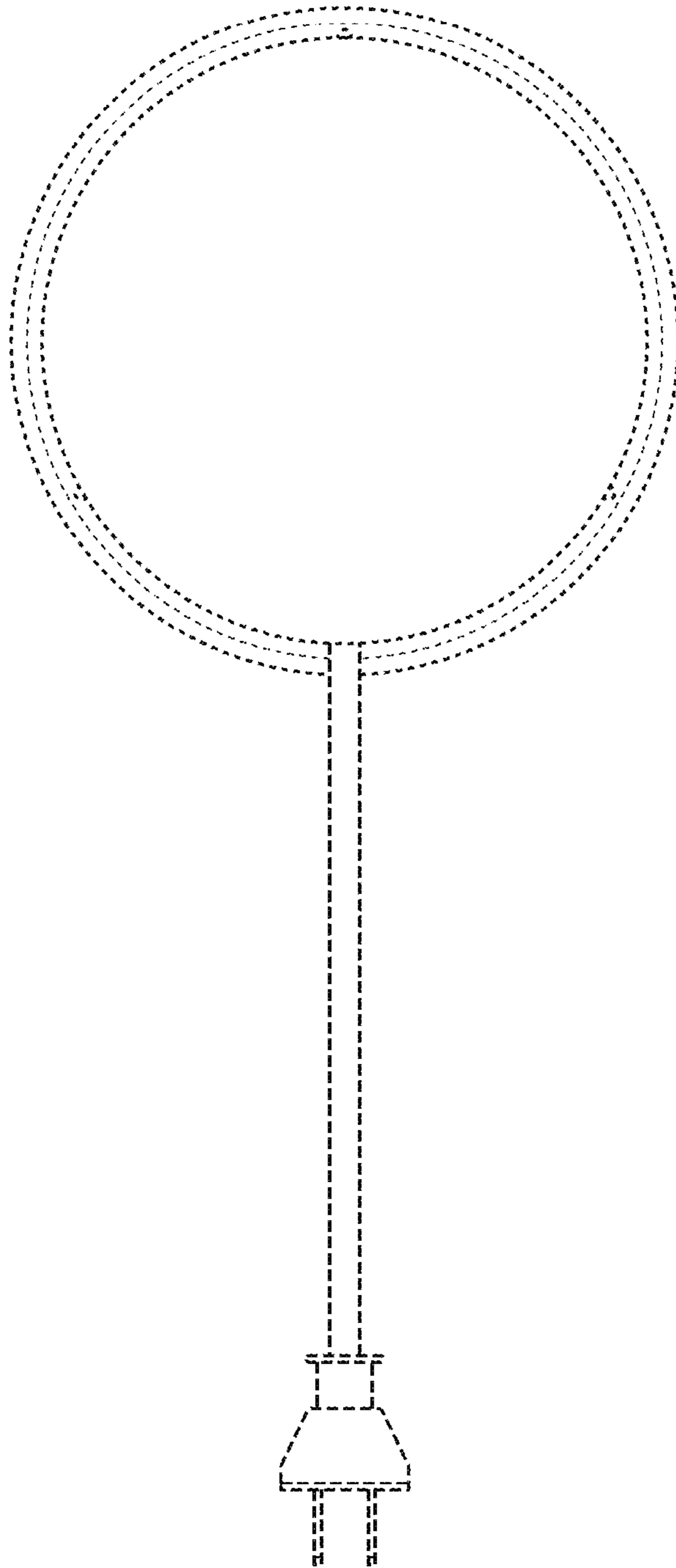


FIG. 8