



US00D882152S

(12) **United States Design Patent**
Probyn

(10) **Patent No.:** **US D882,152 S**

(45) **Date of Patent:** **** Apr. 21, 2020**

- (54) **LAMP**
- (71) Applicant: **Inter IKEA Systems B.V.**, LN Delft (NL)
- (72) Inventor: **Aaron Probyn**, London (GB)
- (73) Assignee: **Inter IKEA Systems B.V.**, LN Delft (NL)
- (**) Term: **15 Years**
- (21) Appl. No.: **29/671,902**
- (22) Filed: **Nov. 30, 2018**
- (30) **Foreign Application Priority Data**
 - Jun. 5, 2018 (EM) 005298098
- (51) **LOC (12) Cl.** **26-05**
- (52) **U.S. Cl.**
USPC **D26/106**
- (58) **Field of Classification Search**
 - USPC D26/1, 24, 40, 88, 93, 96, 104, 105, 106, D26/107, 108, 109, 110, 128; D14/172, D14/188, 496, 509
 - CPC F21S 6/00; F21S 6/002; F21S 6/003; F21S 6/004; F21S 6/005; F21S 6/006; F21S 6/007; F21S 8/035; F21S 8/063; F21V 15/01; F21V 15/012; F21V 21/06; F21V 21/08; F21V 33/00; F21V 33/0024; F21V 33/0048; F21V 33/0056; F21W 2131/30; F21W 2131/40; F21W 2131/301

See application file for complete search history.

- D556,361 S * 11/2007 Arbel D26/88
- D607,140 S * 12/2009 Farris D26/105
- D646,836 S * 10/2011 Wauters D26/93
- D650,511 S * 12/2011 Hine D26/93
- D670,424 S * 11/2012 Lee D26/93
- D677,826 S * 3/2013 Bruneel D26/93
- D679,854 S * 4/2013 Sun D26/93
- D690,872 S * 10/2013 Meise D26/88
- D698,984 S * 2/2014 Meise D26/107
- D736,453 S * 8/2015 Motzkin D26/128
- 9,222,663 B1 * 12/2015 Yang G09F 19/02
- D772,457 S * 11/2016 Lee D26/52
- D786,485 S * 5/2017 Amato D26/106
- D802,825 S * 11/2017 Michael D26/93
- D828,609 S * 9/2018 Barber D26/110
- D831,878 S * 10/2018 Reybier D26/93
- D836,821 S * 12/2018 Ossino D26/106
- D836,822 S * 12/2018 Crocker D26/107
- 2014/0268669 A1 * 9/2014 Yang F21S 8/035 362/101
- 2018/0064072 A1 * 3/2018 Chattin A01K 63/003

* cited by examiner

Primary Examiner — Wan Laymon
Assistant Examiner — Clint A Samuel
 (74) *Attorney, Agent, or Firm* — Tucker Ellis LLP

(57) **CLAIM**

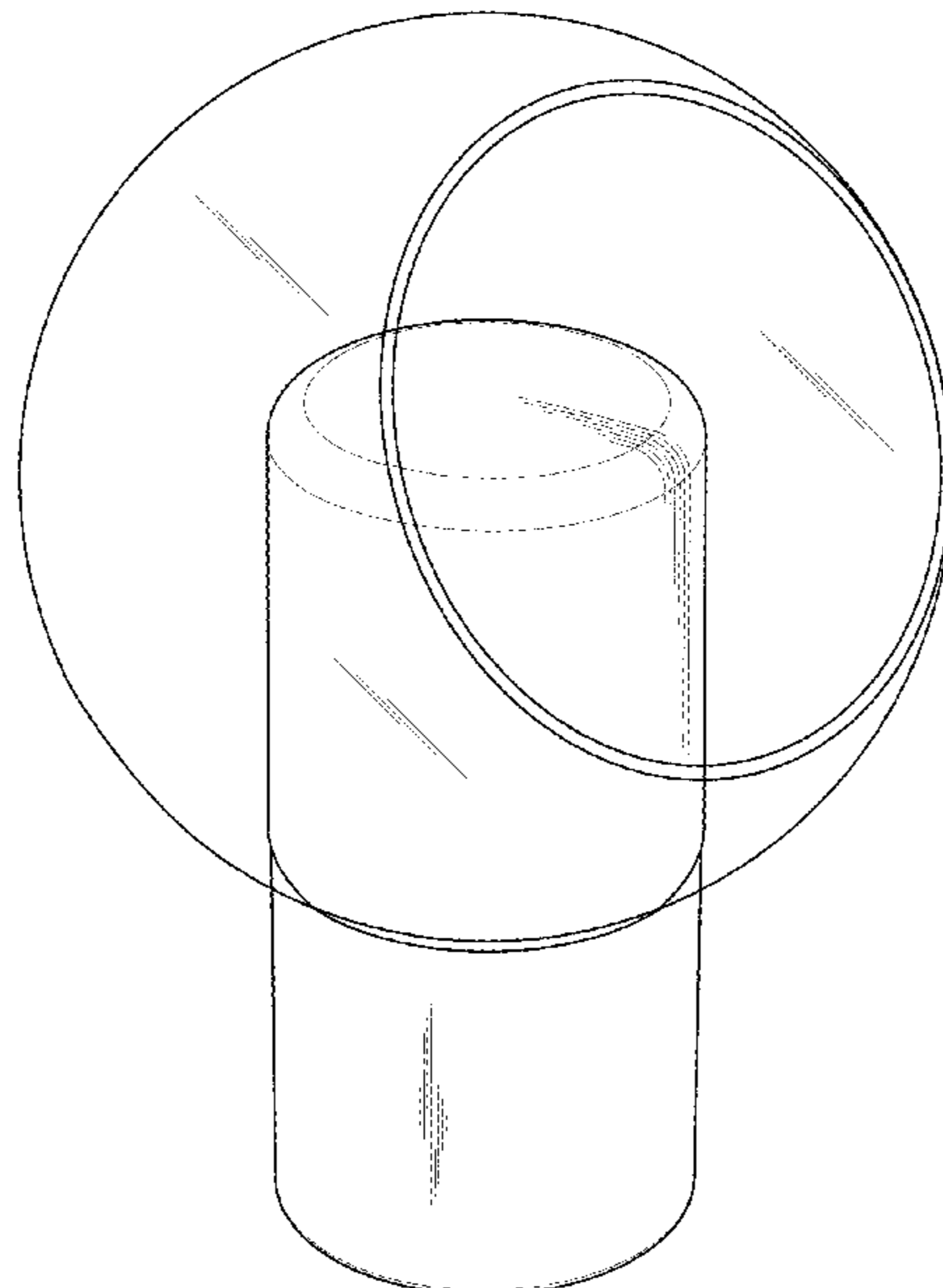
The ornamental design for a lamp, as shown and described.

DESCRIPTION

FIG. 1 is a perspective view of a lamp showing my new design;
 FIG. 2 is a front view thereof;
 FIG. 3 is a rear view thereof;
 FIG. 4 is a right side view thereof;
 FIG. 5 is a left side view thereof;
 FIG. 6 is a top view thereof; and,
 FIG. 7 is a bottom view thereof.

1 Claim, 7 Drawing Sheets

- (56) **References Cited**
 - U.S. PATENT DOCUMENTS
 - 1,733,567 A * 10/1929 White F21S 8/00 362/269
 - D407,995 S * 4/1999 Gallegos D11/164



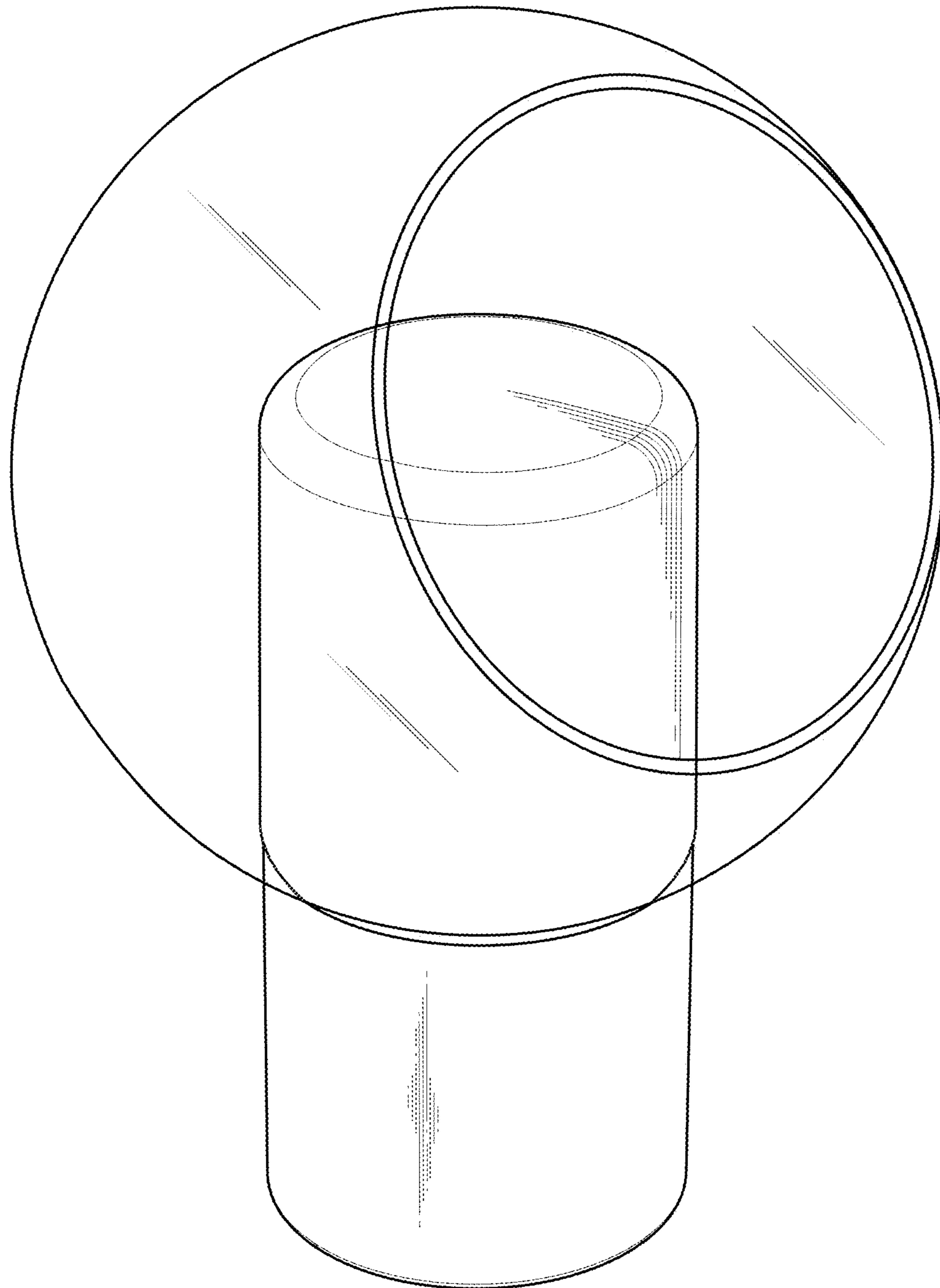


FIG. 1

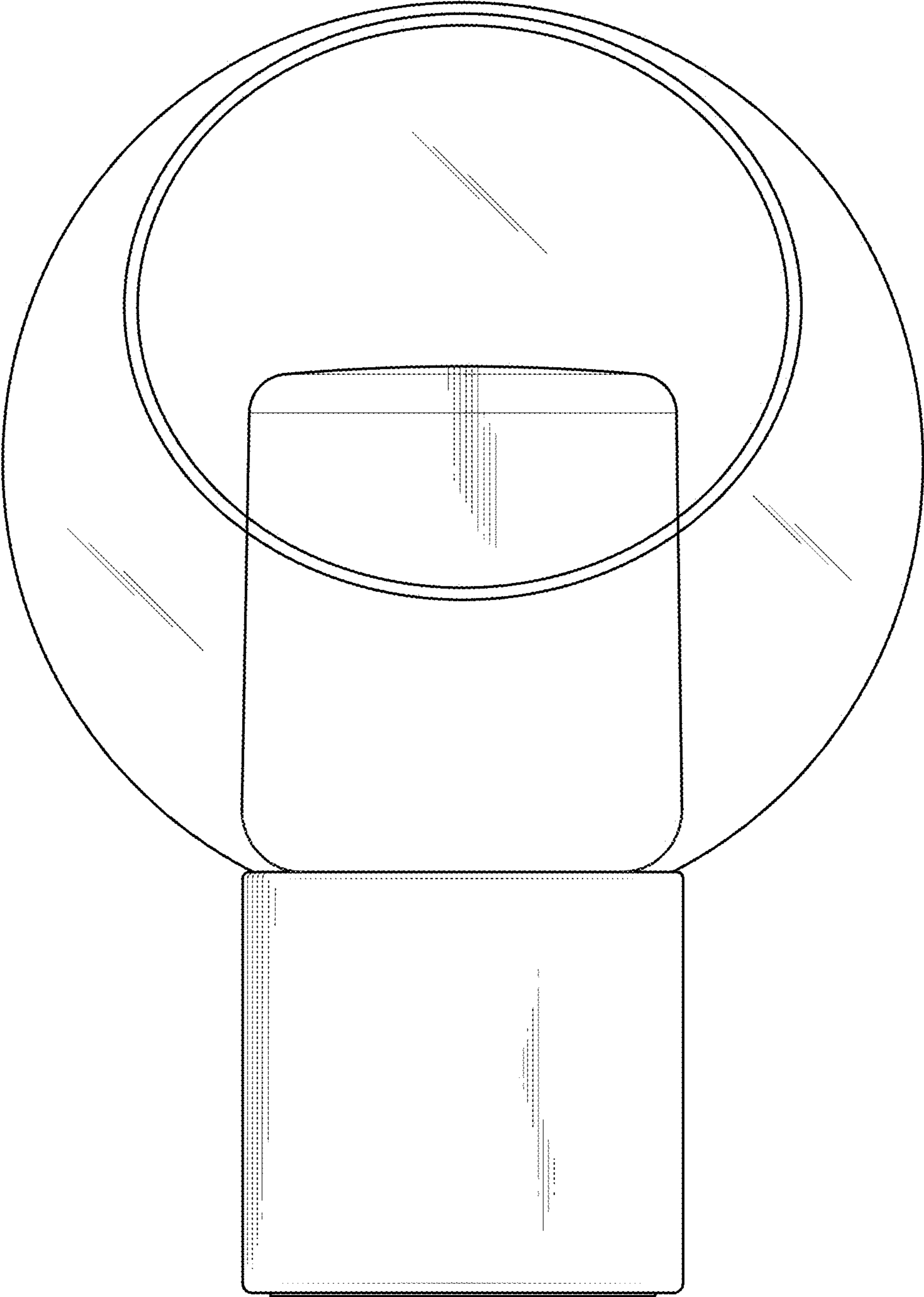


FIG. 2

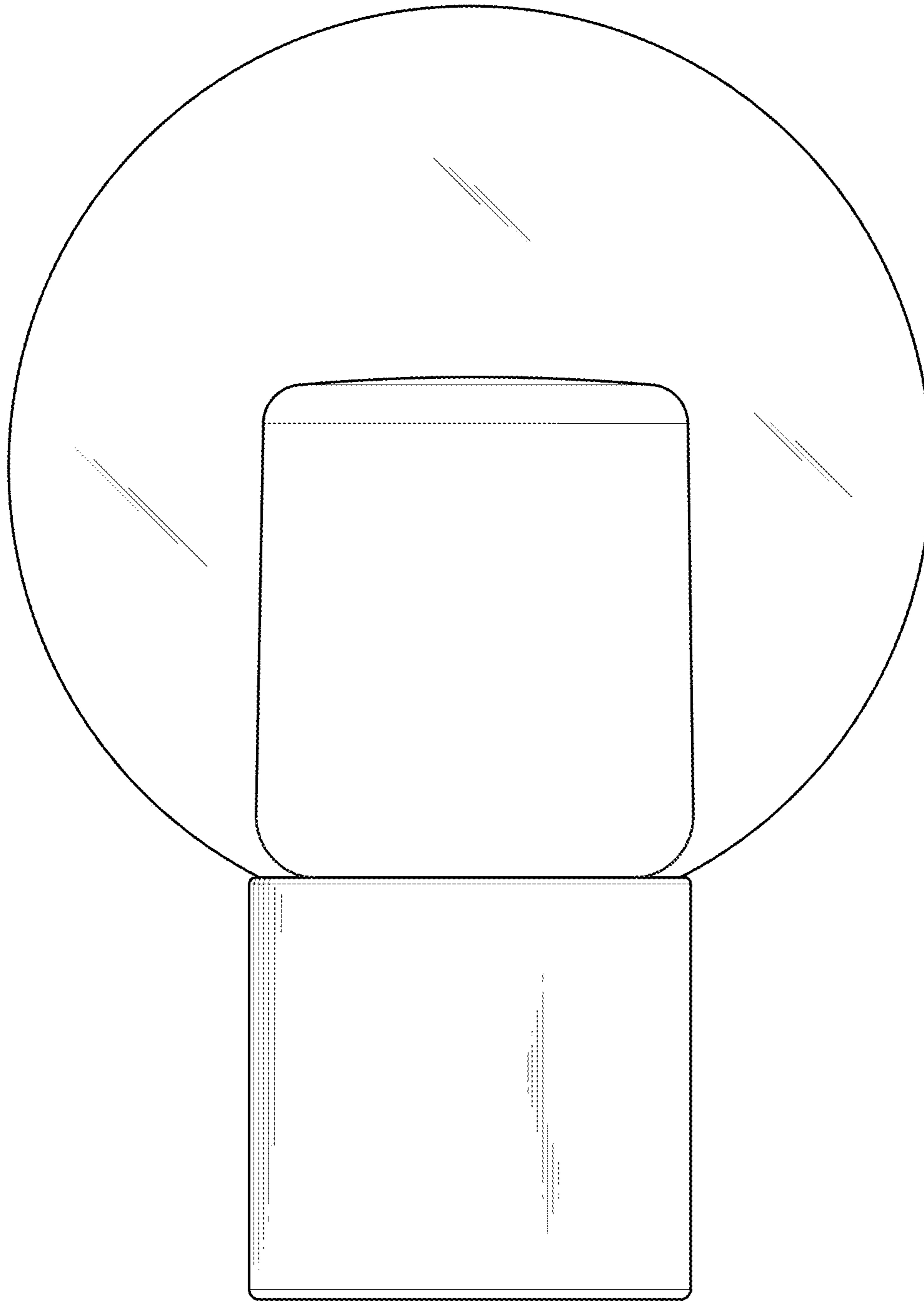


FIG. 3

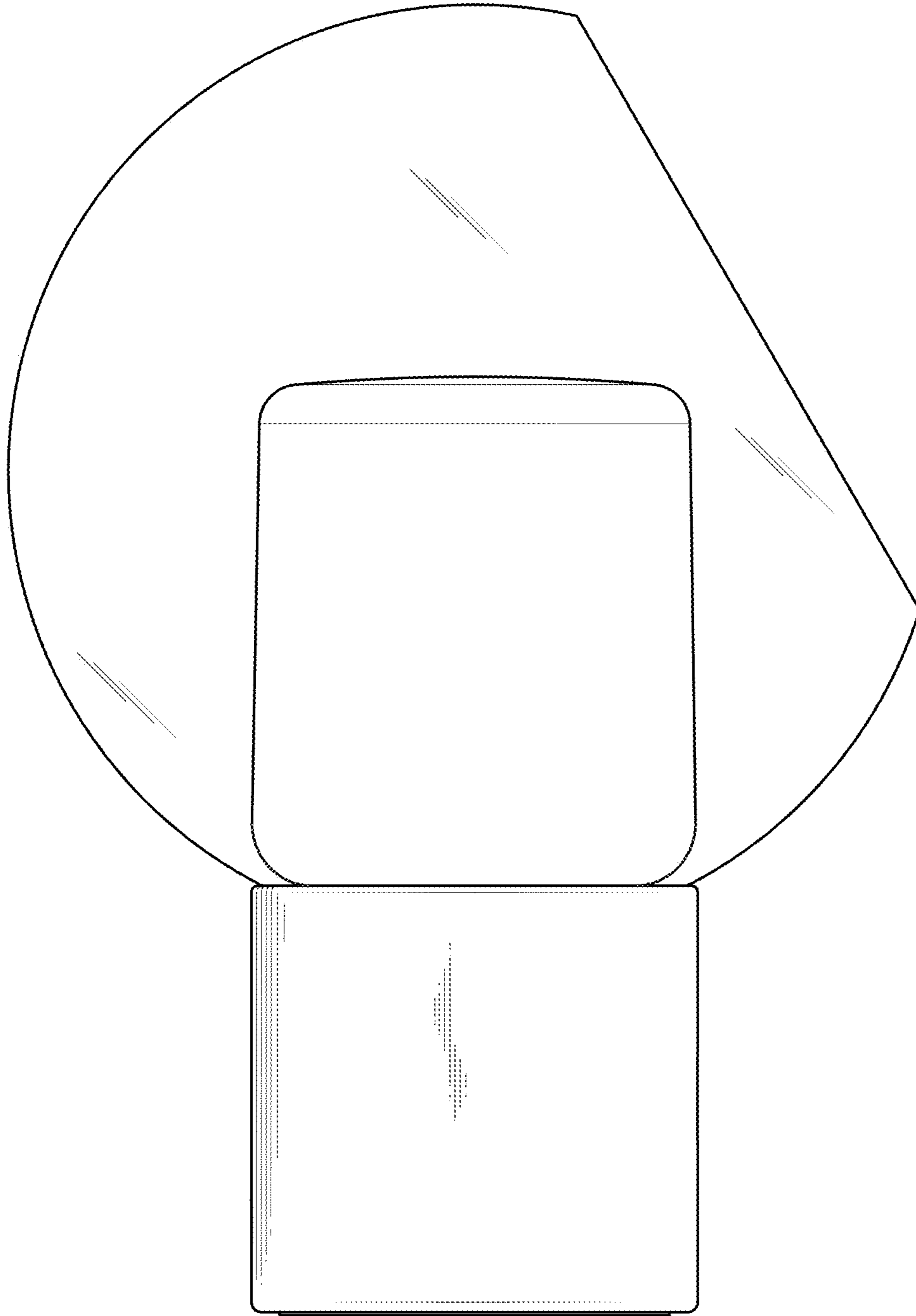


FIG. 4

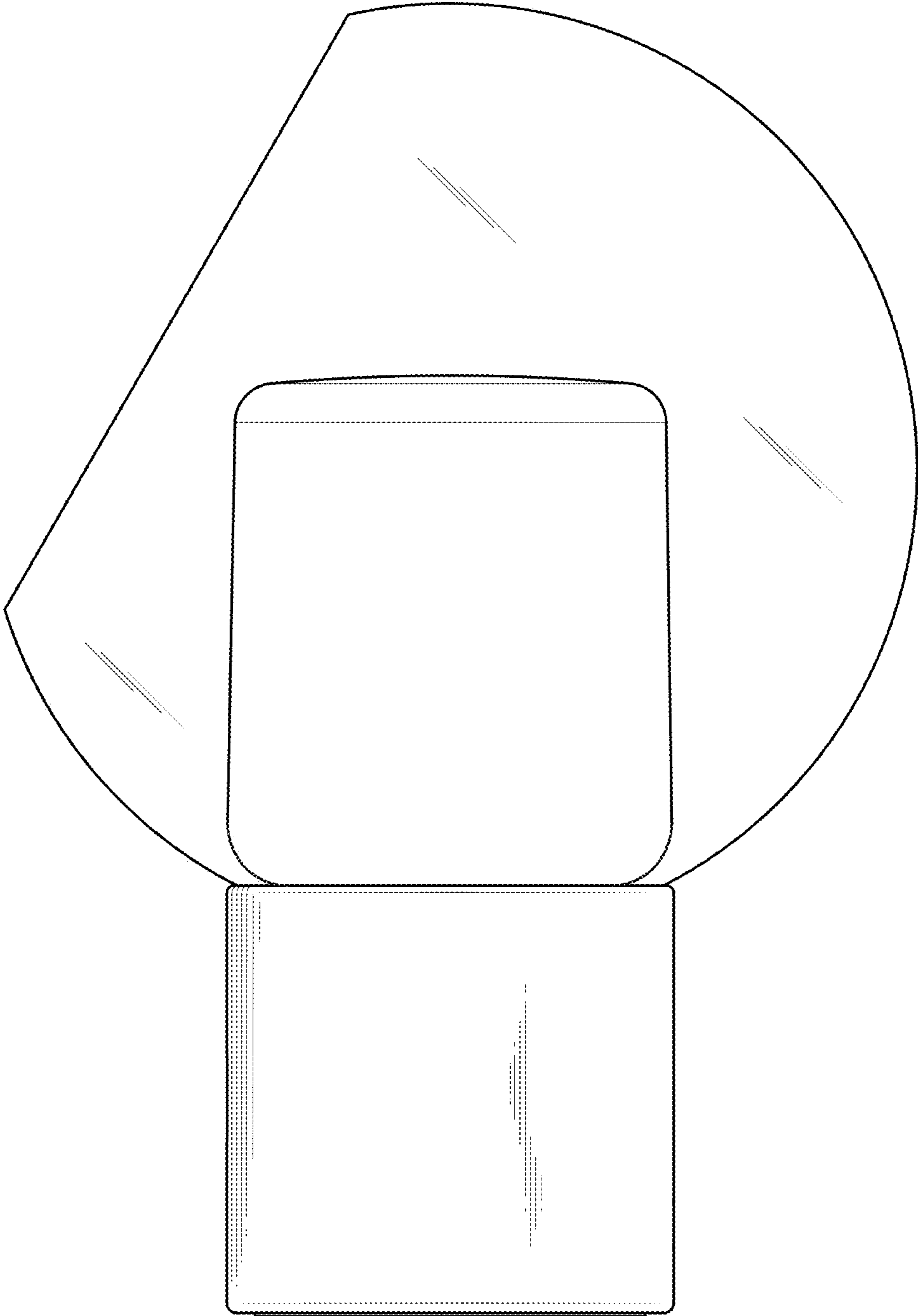


FIG. 5

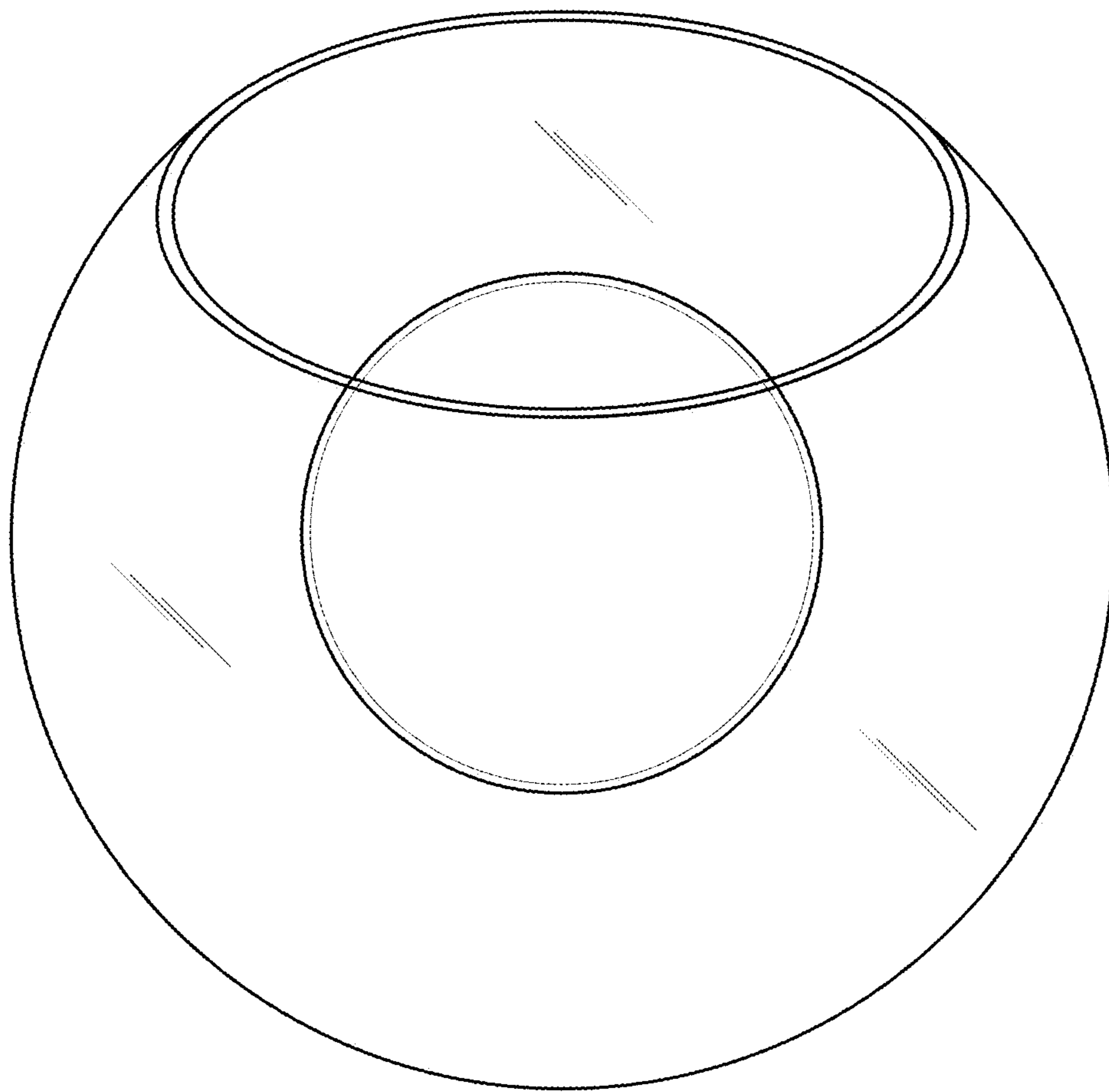


FIG. 6

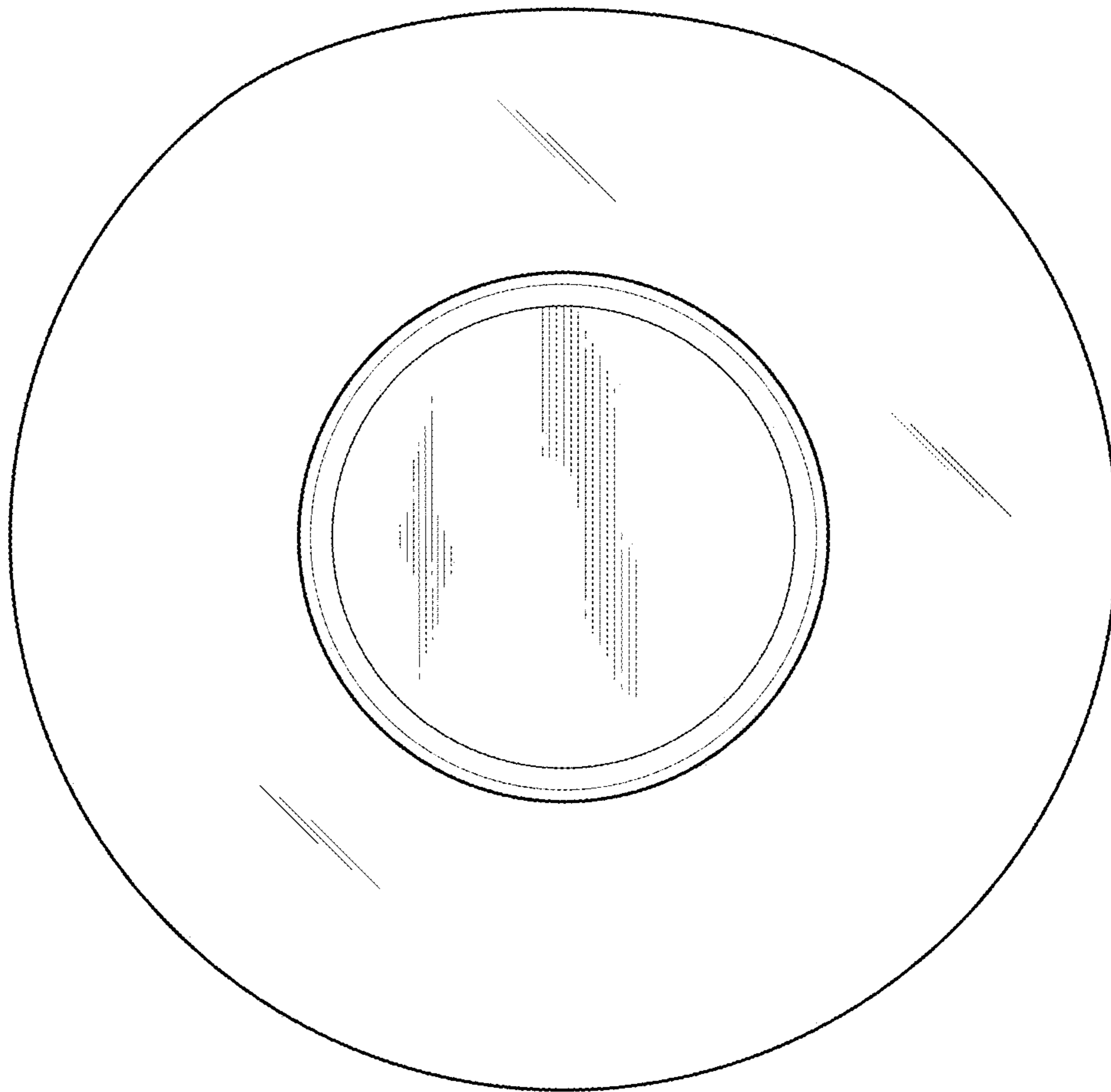


FIG. 7