



US00D882149S

(12) **United States Design Patent**  
**Lin**

(10) **Patent No.:** **US D882,149 S**

(45) **Date of Patent:** **\*\* Apr. 21, 2020**

(54) **LAMP**

(71) Applicant: **Meilan Lin**, Zhanjiang (CN)

(72) Inventor: **Meilan Lin**, Zhanjiang (CN)

(\*\*) Term: **15 Years**

(21) Appl. No.: **29/719,797**

(22) Filed: **Jan. 8, 2020**

(51) **LOC (12) Cl.** ..... **26-03**

(52) **U.S. Cl.**  
USPC ..... **D26/87; D26/86**

(58) **Field of Classification Search**  
USPC ..... **D26/72, 80, 85, 86, 87, 92, 155**  
CPC .. **F21S 8/033; F21S 8/035; F21S 8/036; F21S 8/046**

See application file for complete search history.

(56) **References Cited**

**U.S. PATENT DOCUMENTS**

D340,780 S *	10/1993	Porter	.....	D26/145
5,541,819 A *	7/1996	Kwong	.....	F21S 2/005 362/147
D391,662 S *	3/1998	Miranda	.....	D26/87
D501,572 S *	2/2005	Lee	.....	D26/80
D511,858 S *	11/2005	Porter	.....	D26/155
D537,554 S *	2/2007	De'Armond	.....	D26/87
D551,380 S *	9/2007	De'Armond	.....	D26/80
D558,383 S *	12/2007	Bickler	.....	D26/63
D575,437 S *	8/2008	Bickler	.....	D26/86
D589,193 S	3/2009	Sabernig		
D686,770 S *	7/2013	Orozco	.....	D26/143
D754,906 S *	4/2016	Smith	.....	D26/80
D833,666 S *	11/2018	Orozco	.....	D26/86
D845,536 S *	4/2019	Van Duysen	.....	D26/87
D869,730 S	12/2019	Lin		

**OTHER PUBLICATIONS**

Bellevue 23" Wide LED Bathroom Vanity Light No. QZ28457C from lightingdirect.com, visited Mar. 12, 2020. (Year: 2020).\*

Quoizel KLT8604BNLED Kolt Modern Vanity Bath Lighting, at amazon.com May 23, 2016. (Year: 2016).\*

\* cited by examiner

*Primary Examiner* — Clare E Heflin

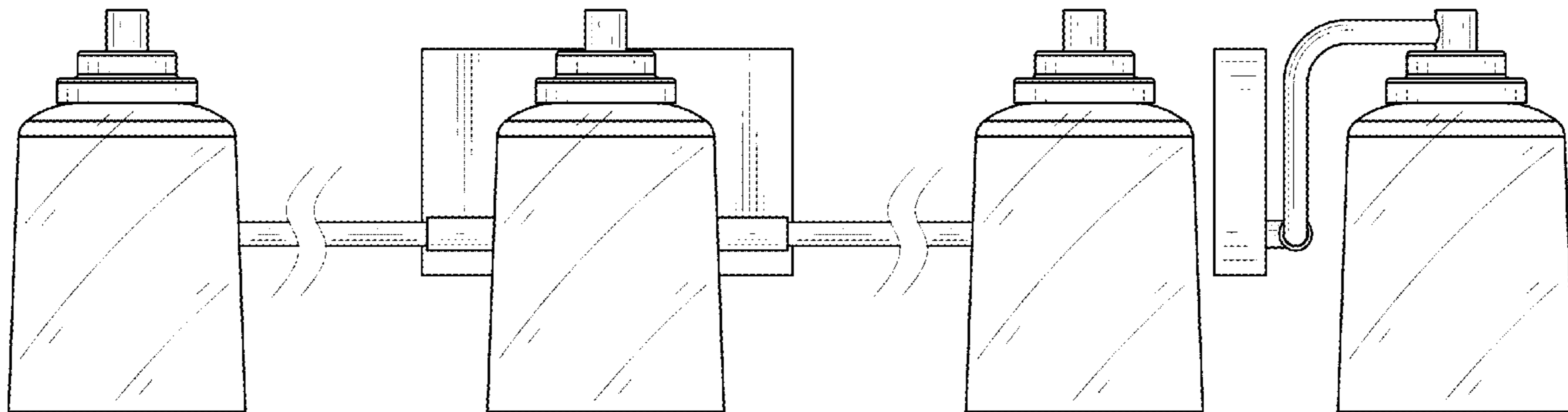
(57) **CLAIM**

The ornamental design for a lamp, as shown and described.

**DESCRIPTION**

FIG. 1 is a perspective view of a first embodiment of a lamp showing my new design;  
 FIG. 2 is another perspective view thereof;  
 FIG. 3 is a front elevational view thereof;  
 FIG. 4 is a rear elevational view thereof;  
 FIG. 5 is a left side elevational view thereof;  
 FIG. 6 is a right side elevational view thereof;  
 FIG. 7 is a top plan view thereof;  
 FIG. 8 is a bottom plan view thereof;  
 FIG. 9 is an enlarged view of portion 9 shown in FIG. 2;  
 FIG. 10 is a perspective view of a second embodiment of the lamp showing my new design;  
 FIG. 11 is another perspective view thereof;  
 FIG. 12 is a front elevational view thereof;  
 FIG. 13 is a rear elevational view thereof;  
 FIG. 14 is a left side elevational view thereof;  
 FIG. 15 is a right side elevational view thereof;  
 FIG. 16 is a top plan view thereof;  
 FIG. 17 is a bottom plan view thereof; and,  
 FIG. 18 is an enlarged view of portion 18 shown in FIG. 11.  
 The lamp is shown with a symbolic break in its length and the appearance of any portion of the lamp between the break lines form no part of the claimed design. The broken lines in the drawings depict portions of the lamp that form no part of the claimed design.

**1 Claim, 18 Drawing Sheets**



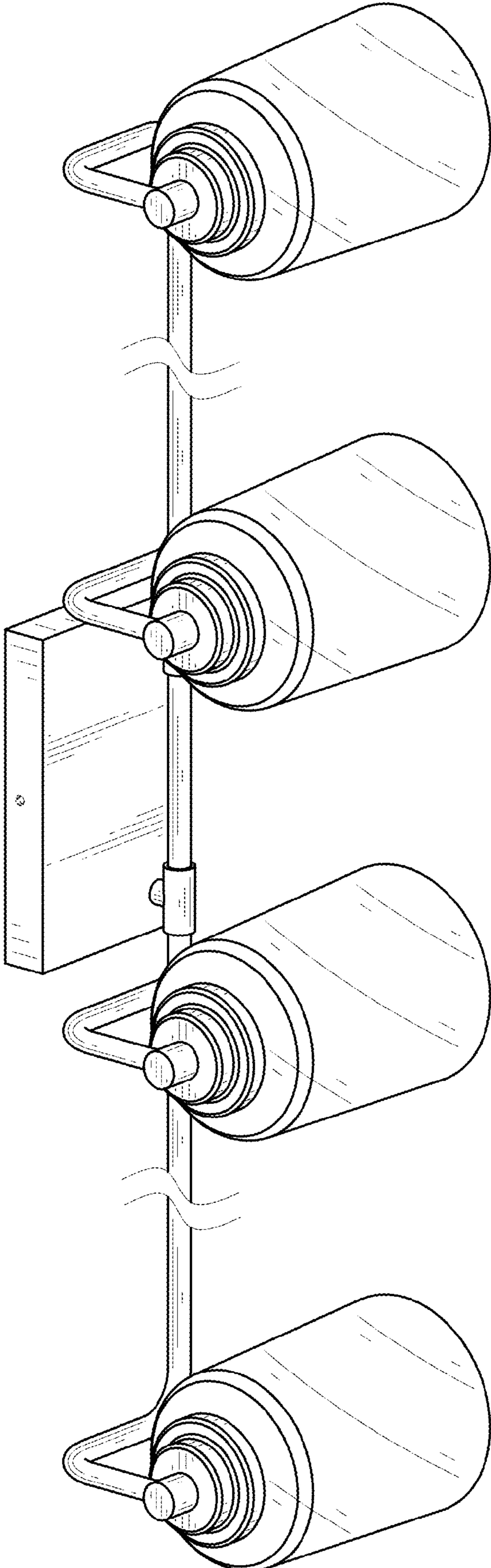


FIG. 1

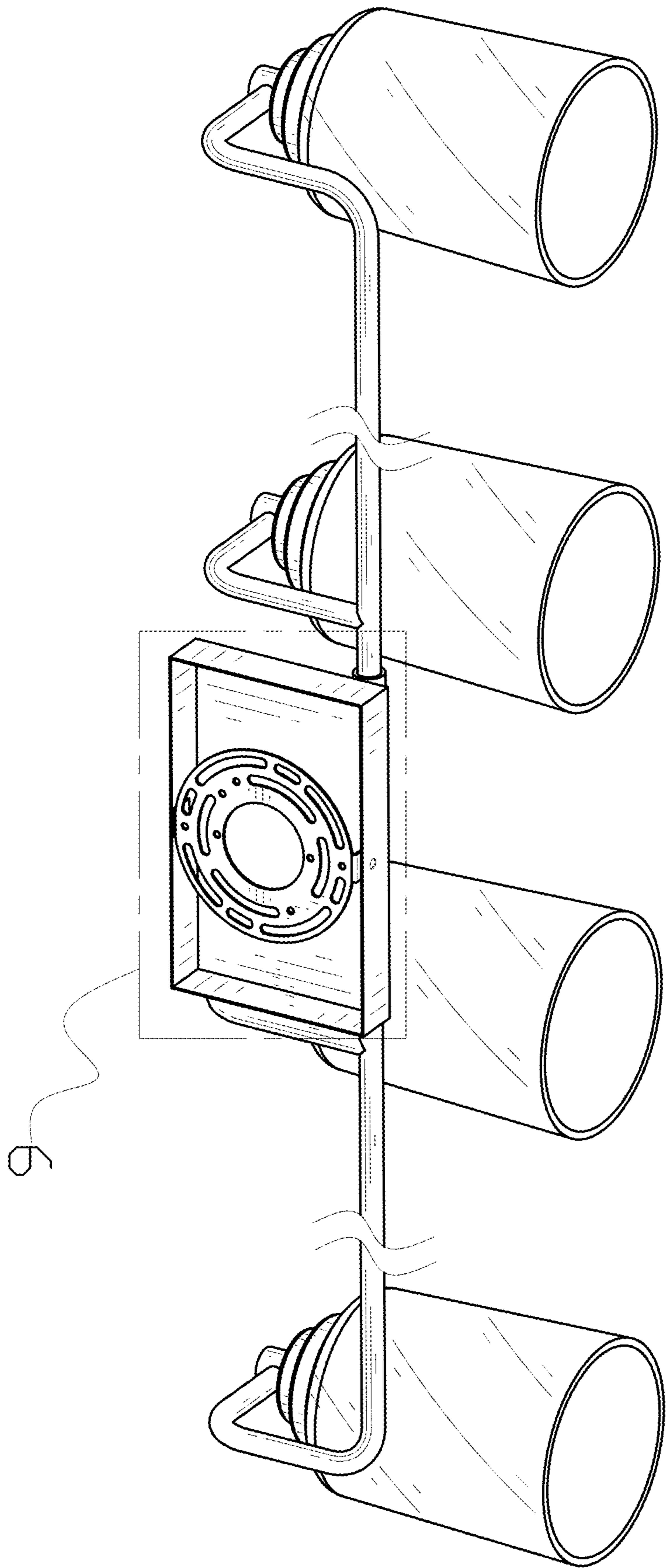


FIG. 2

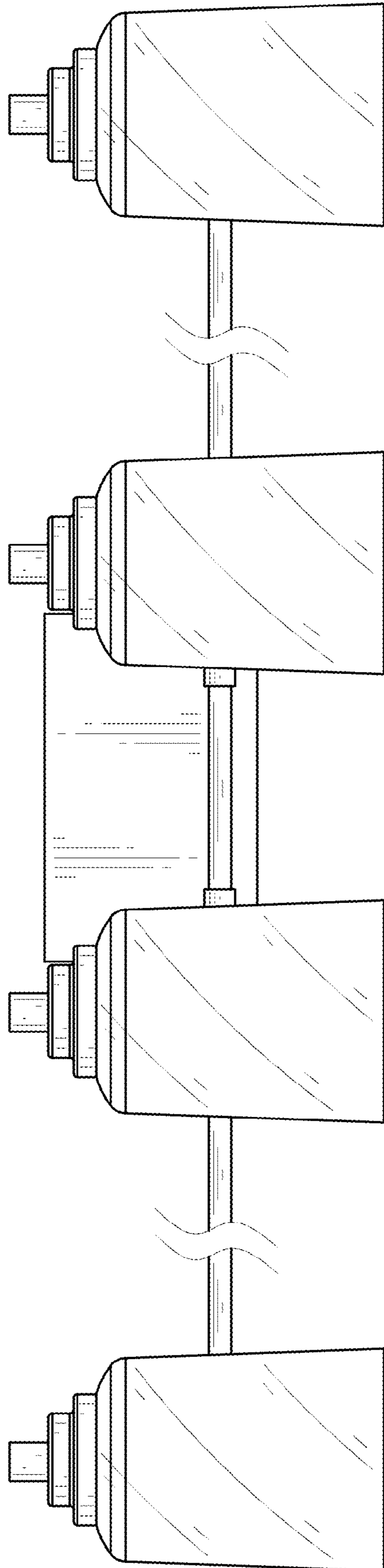


FIG. 3

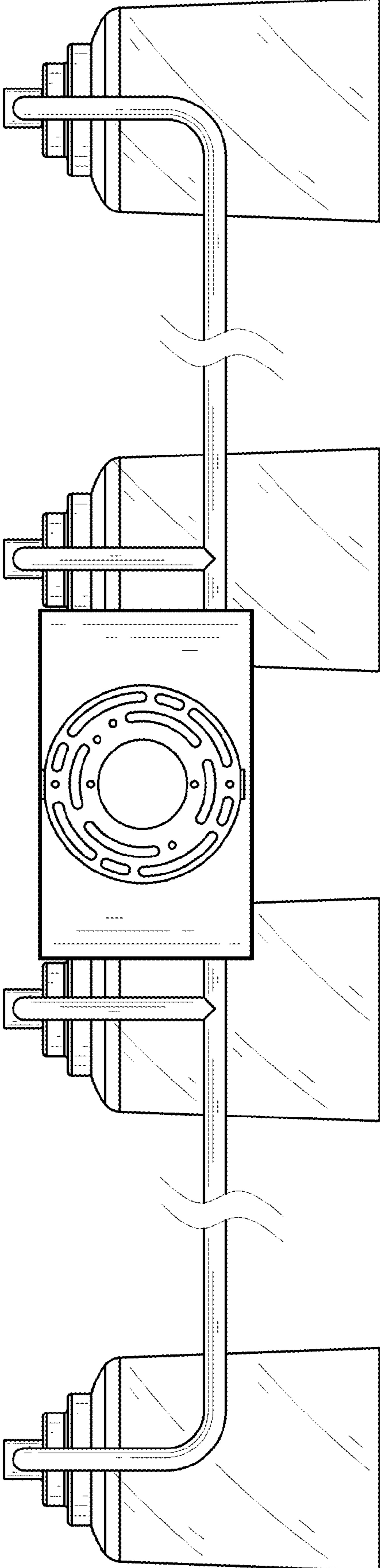


FIG. 4

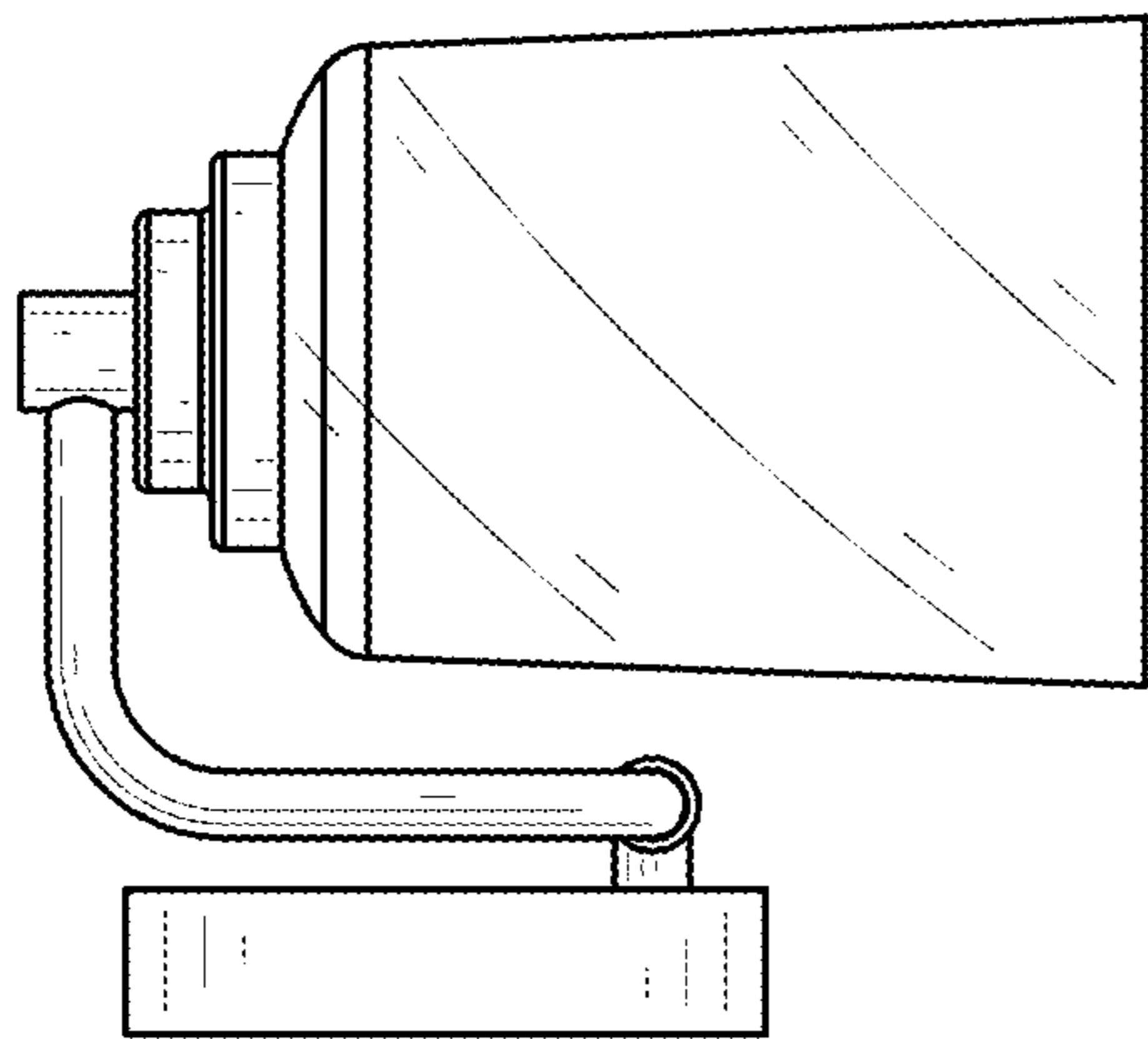


FIG. 5

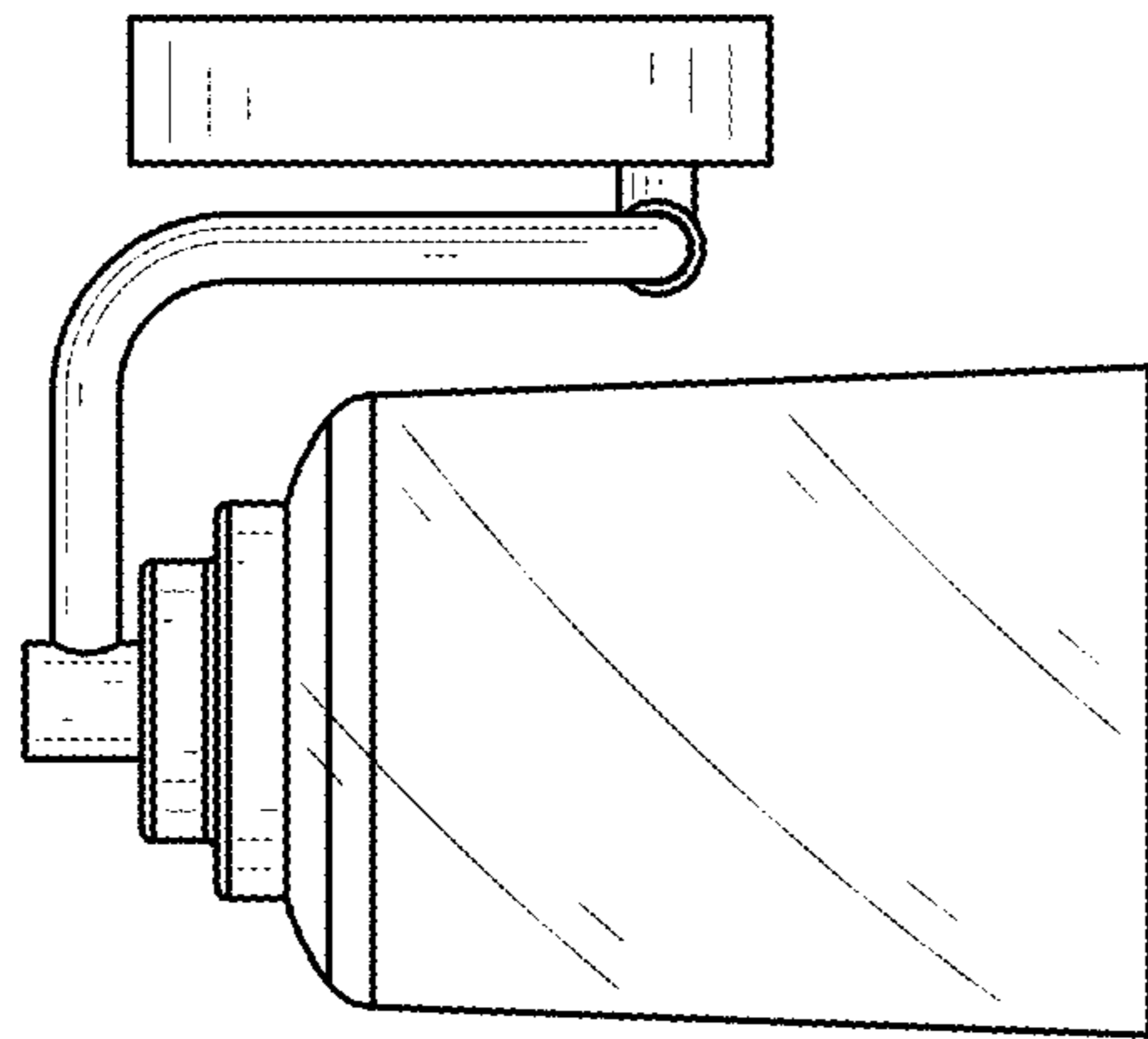


FIG. 6

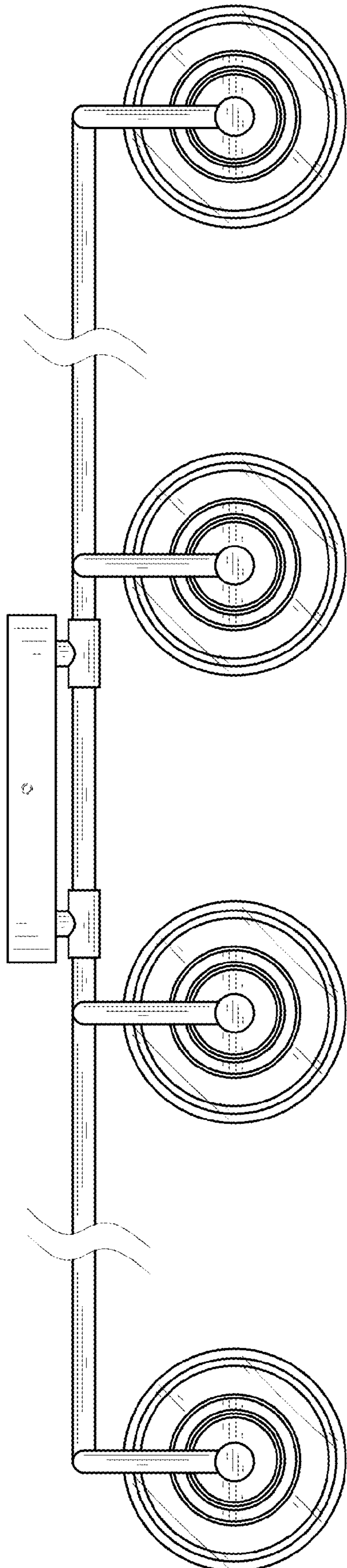


FIG. 7



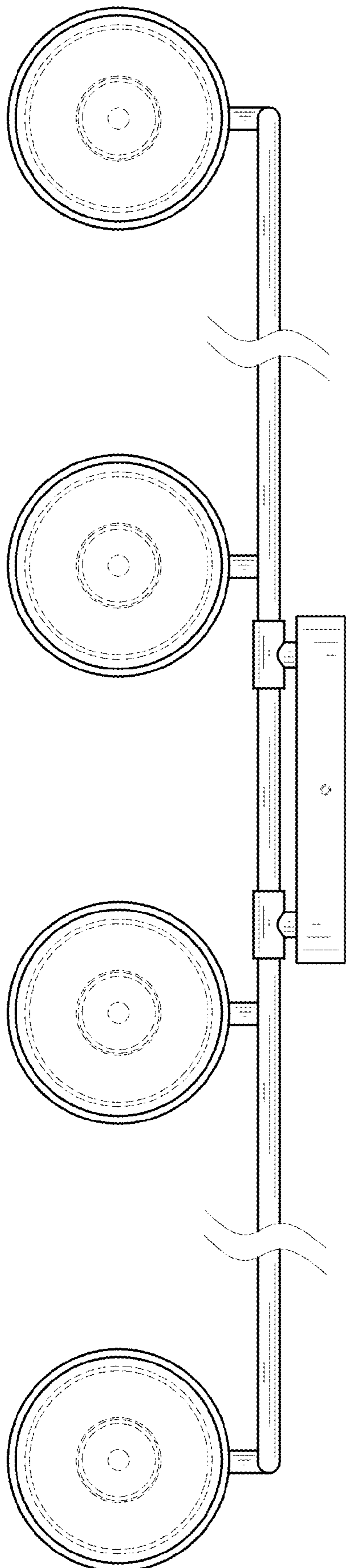


FIG. 8

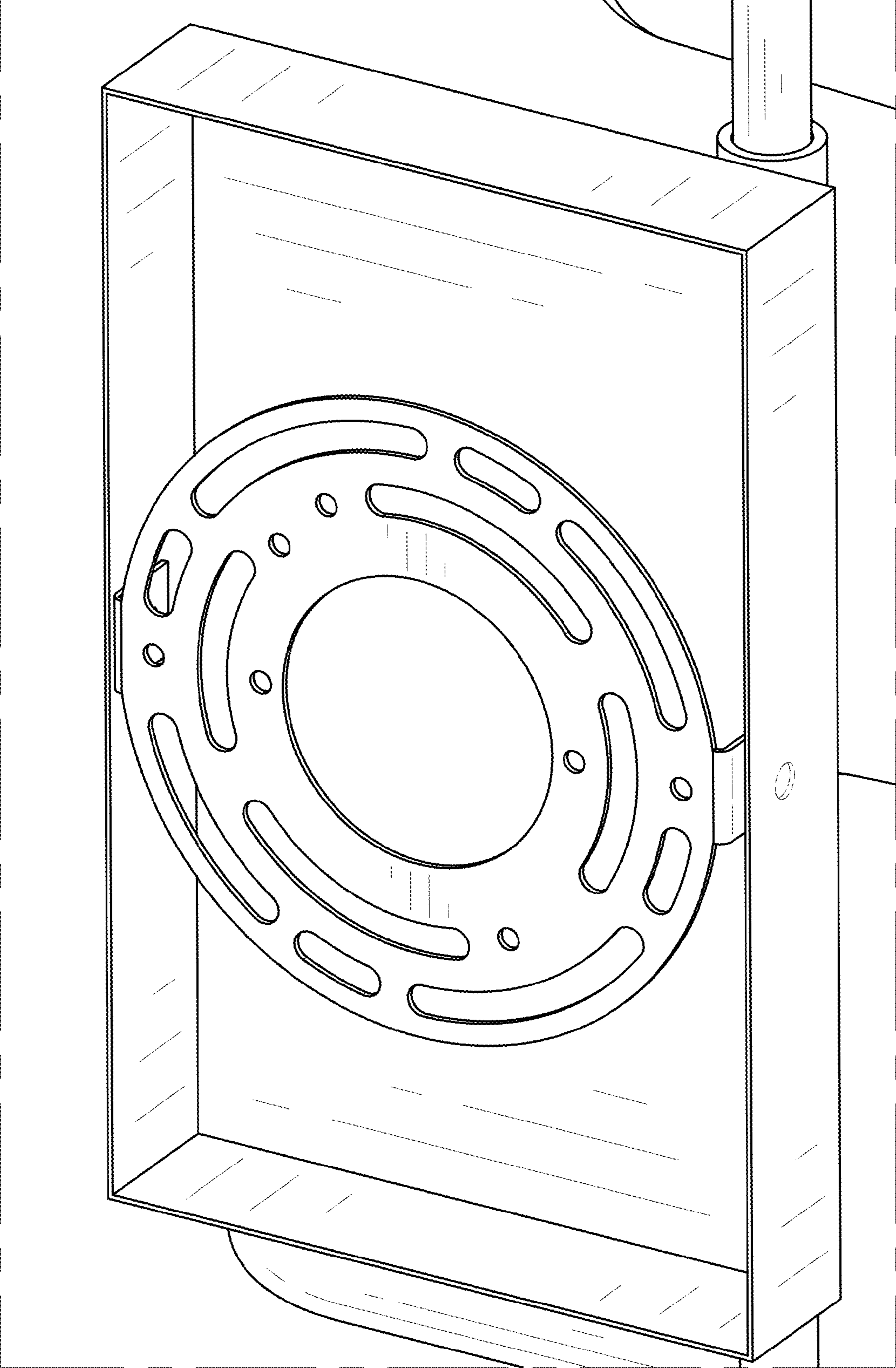


FIG. 9

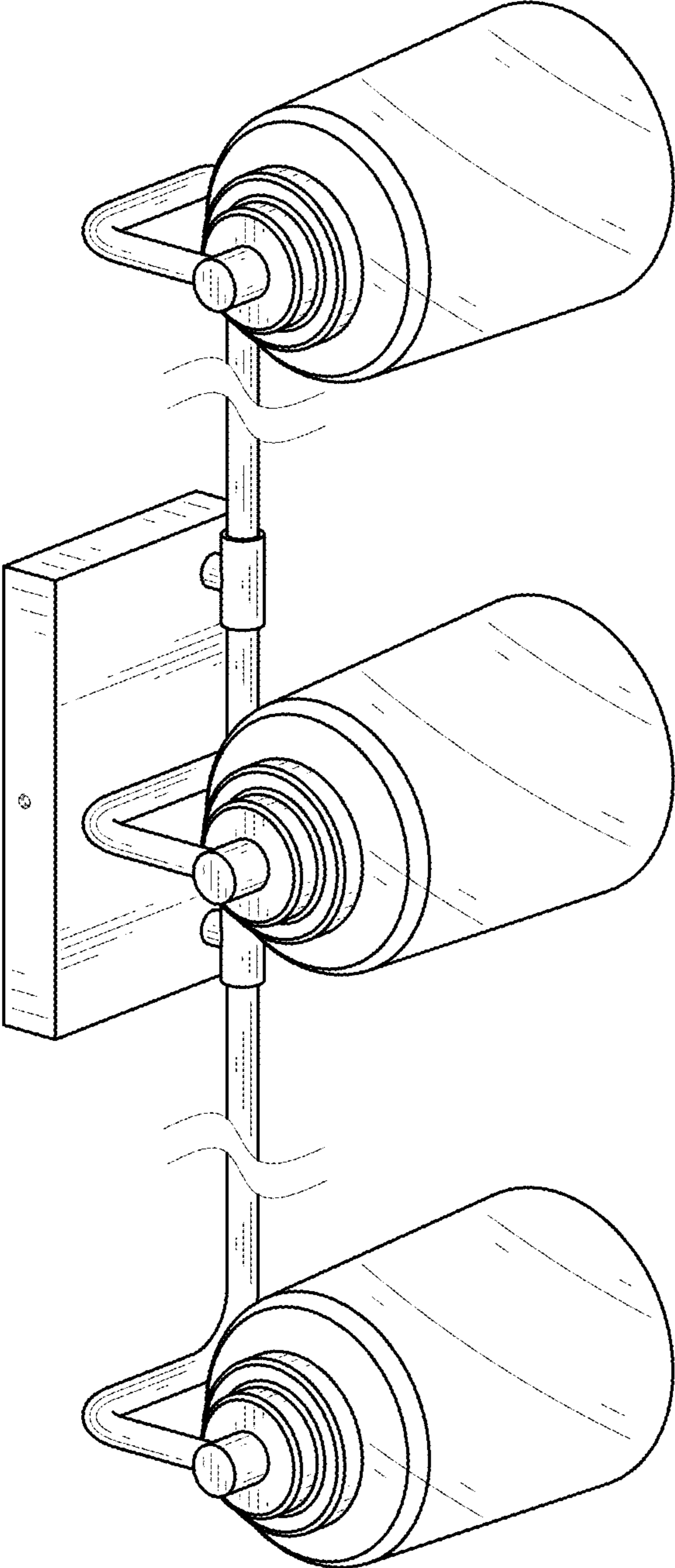


FIG. 10

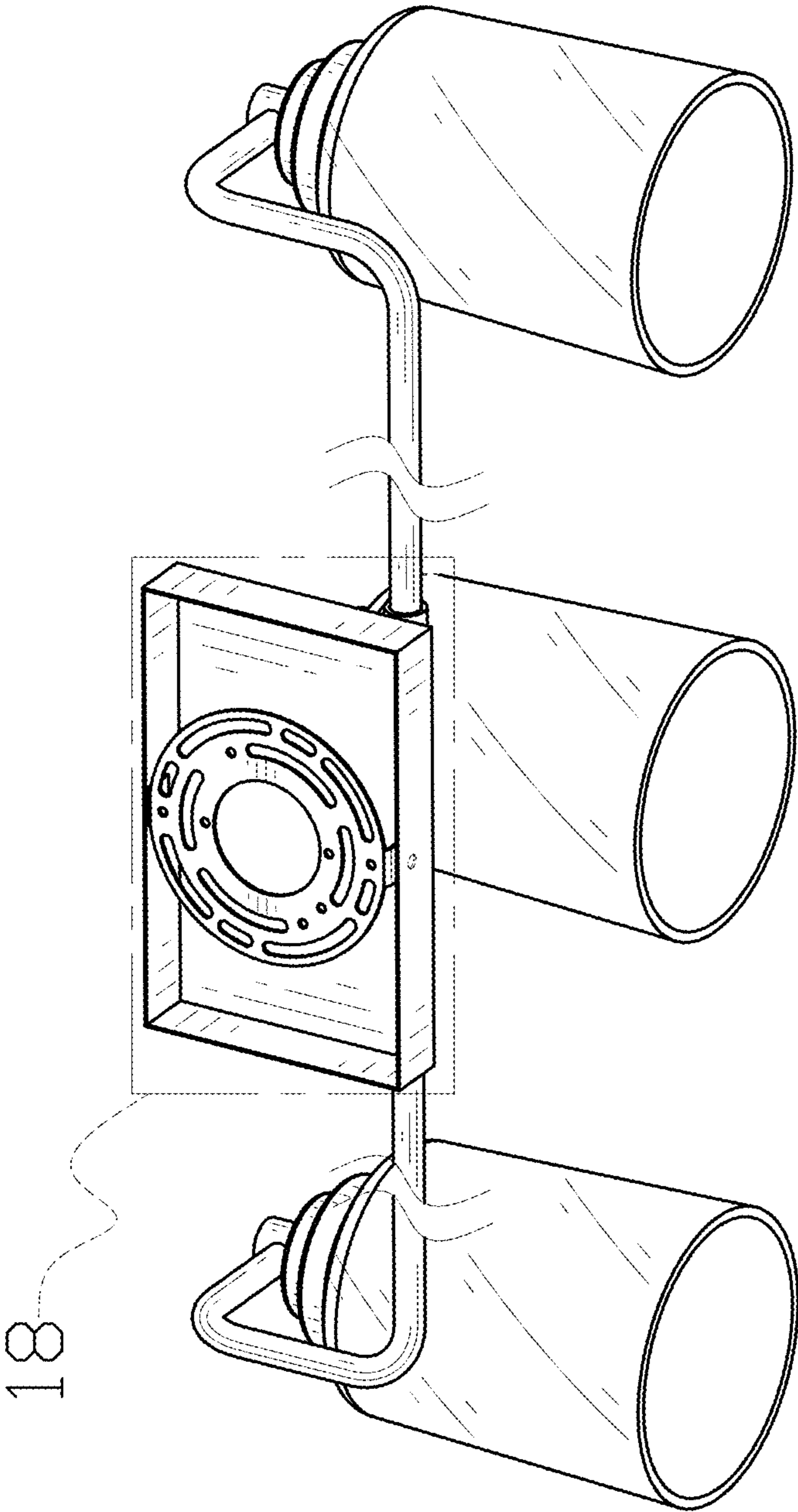


FIG. 11

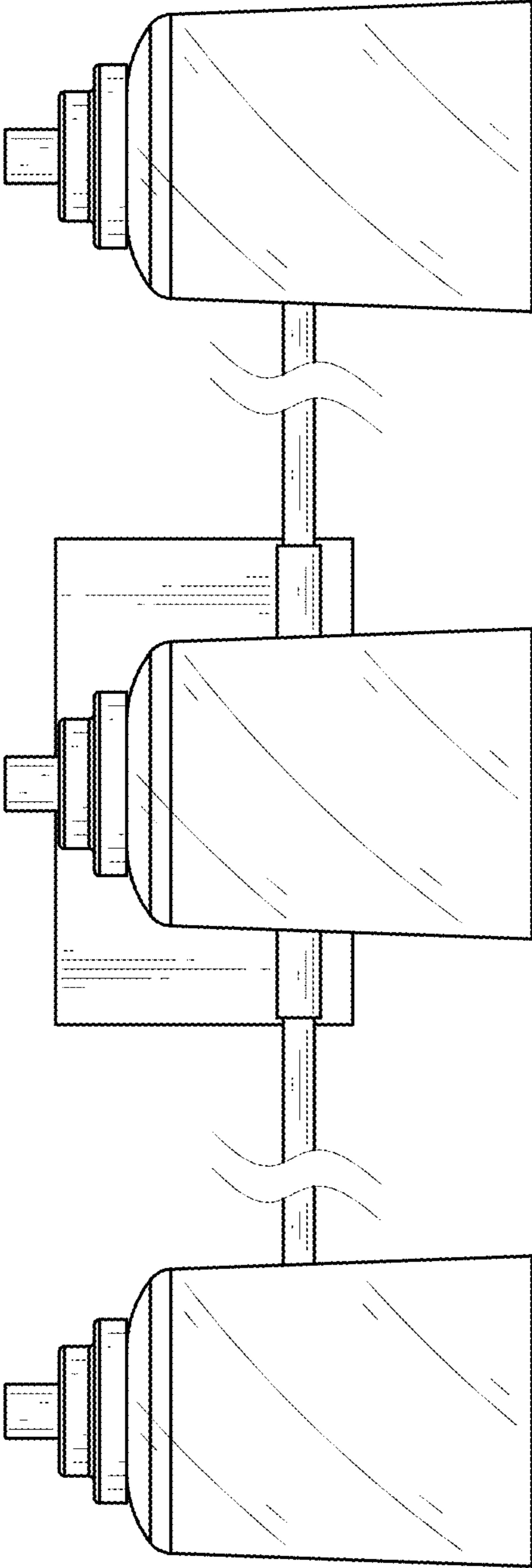


FIG. 12

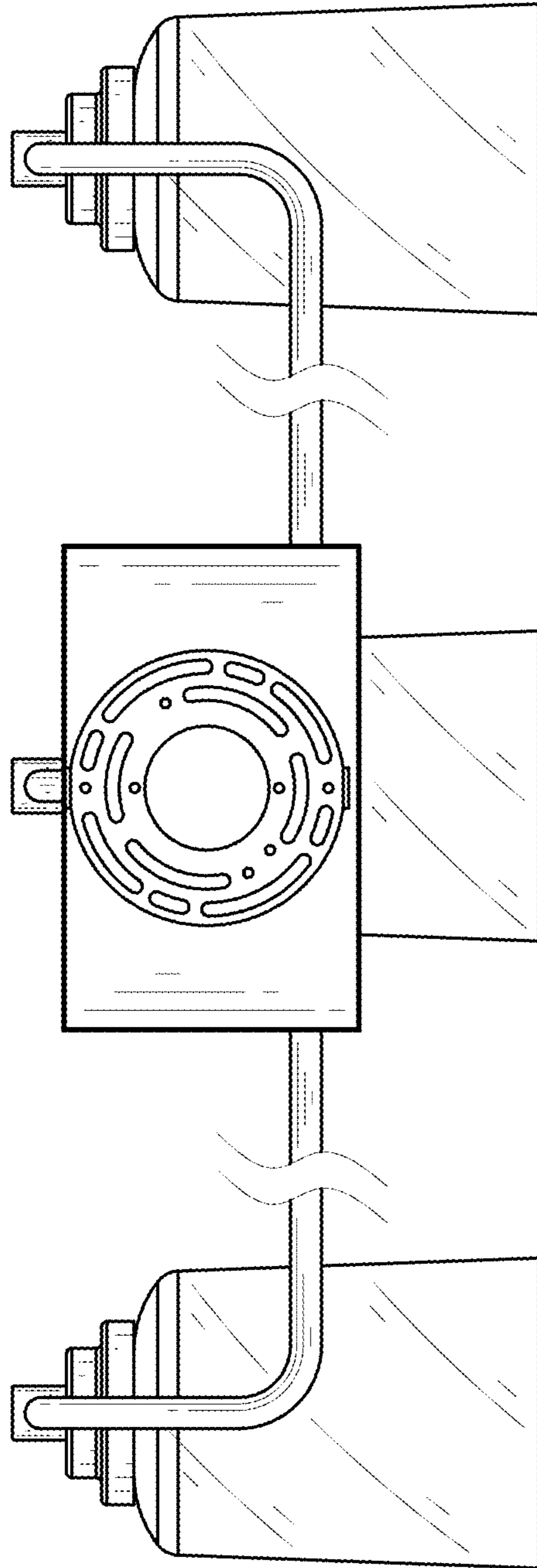


FIG. 13

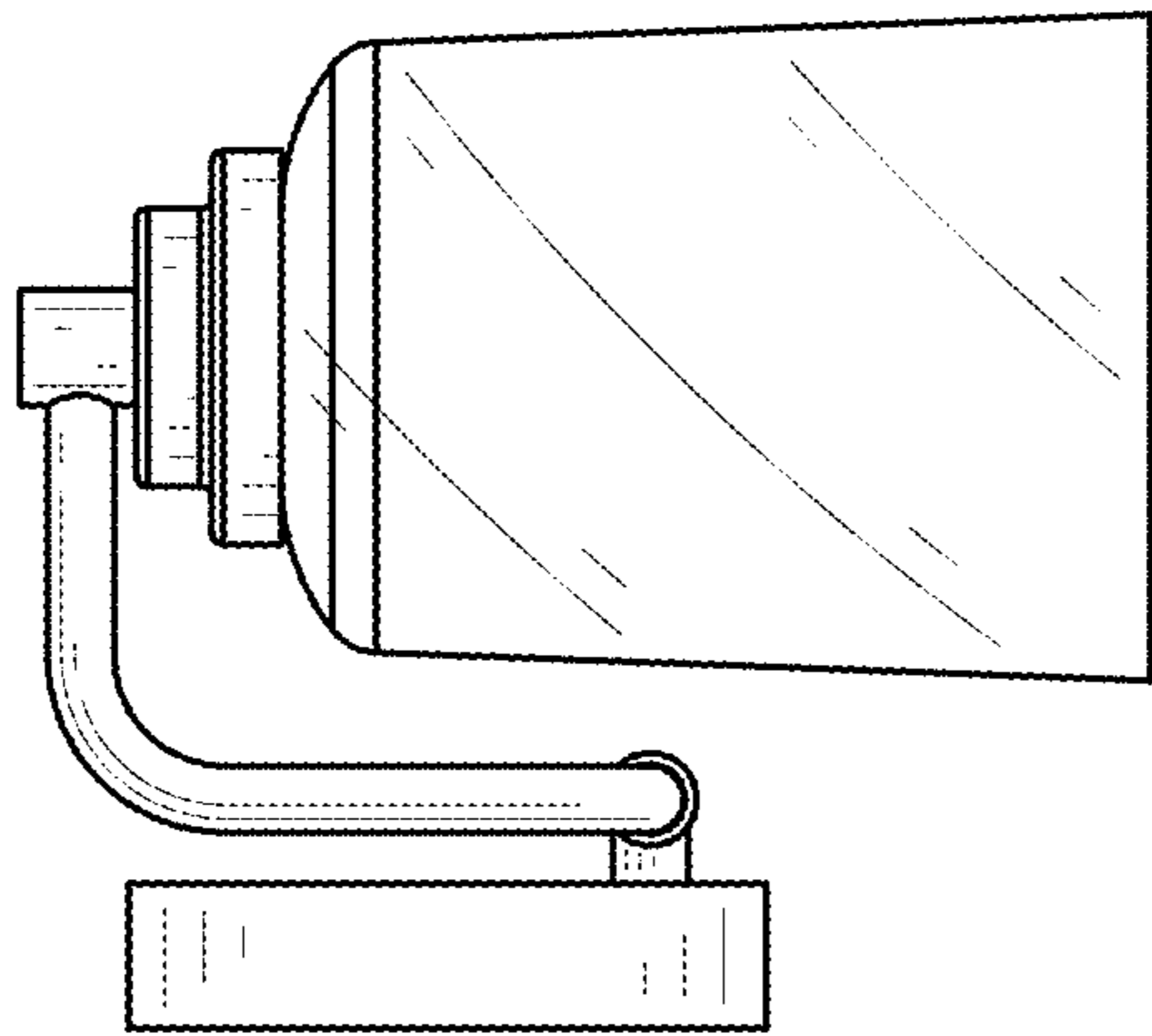


FIG. 14

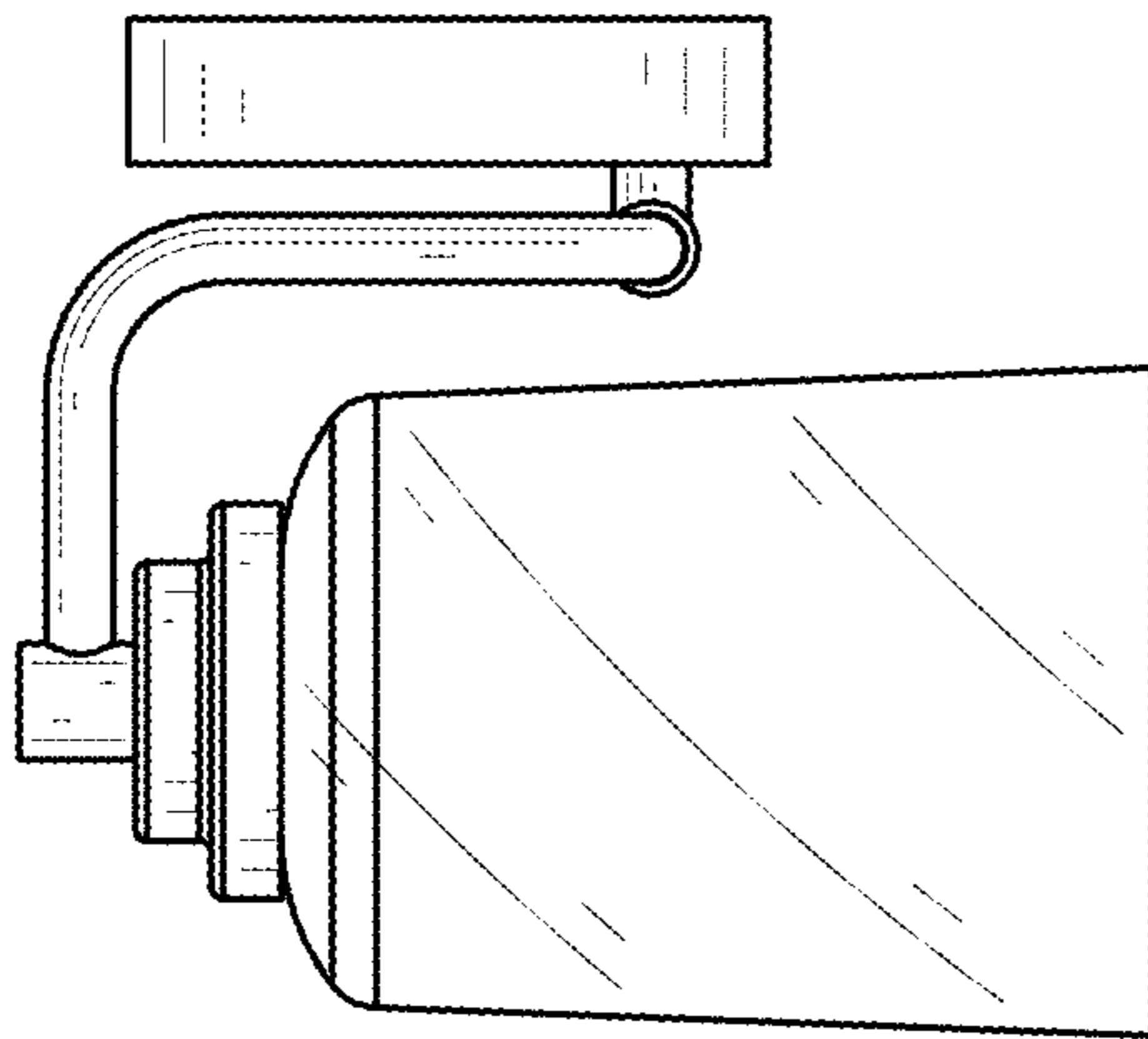


FIG. 15



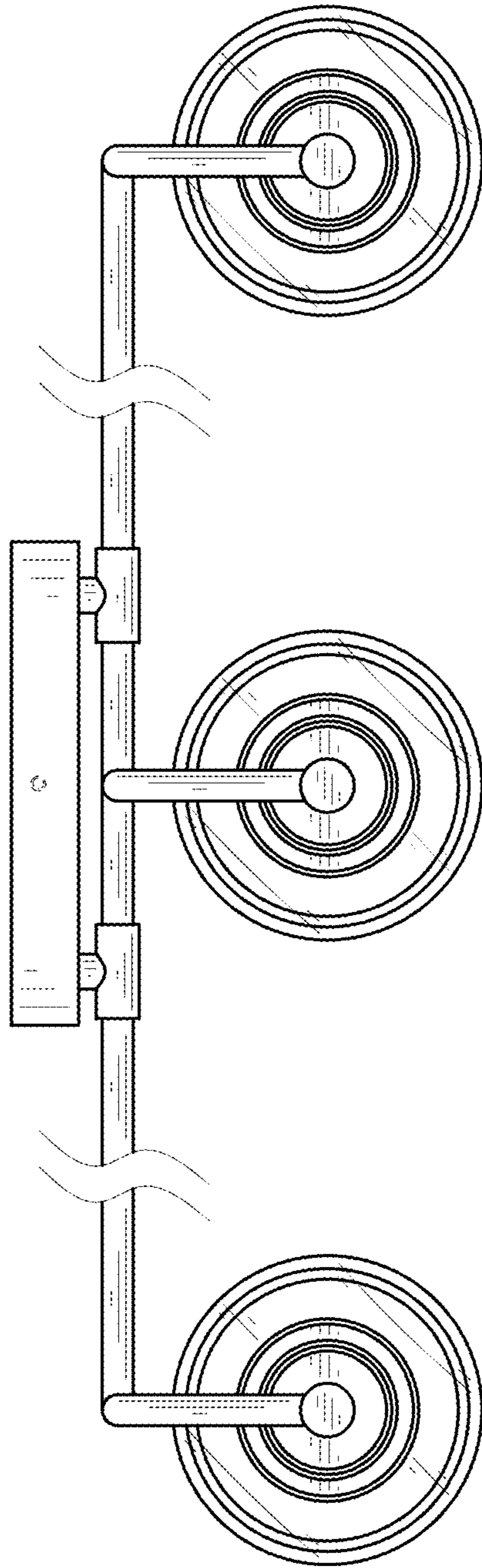


FIG. 16

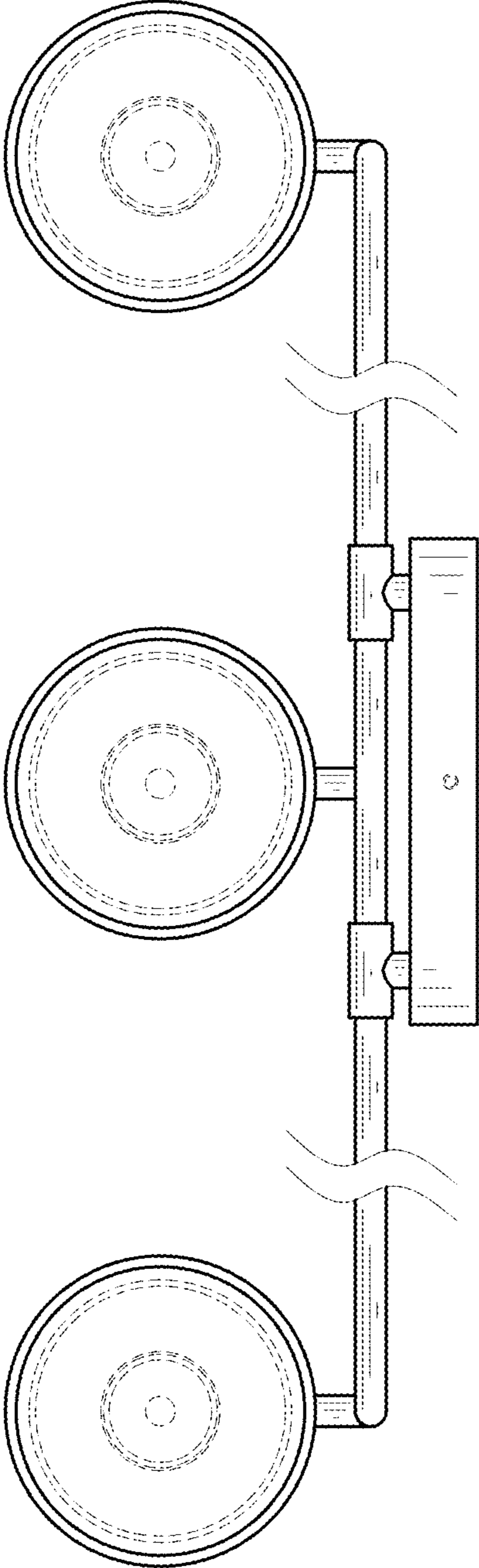


FIG. 17

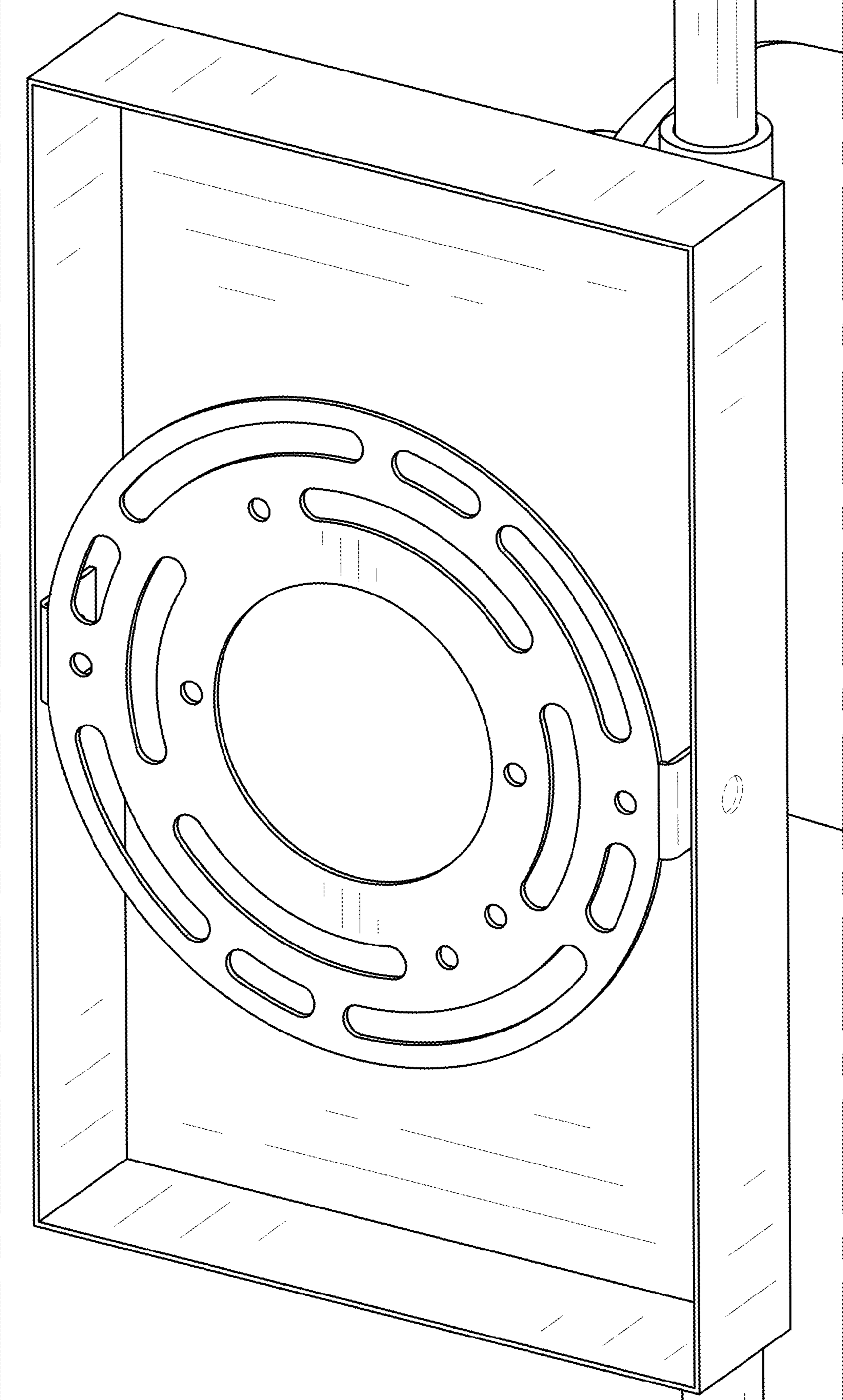


FIG. 18