



US00D882148S

(12) **United States Design Patent** (10) **Patent No.:** **US D882,148 S**
He (45) **Date of Patent:** **** Apr. 21, 2020**

(54) **SOLAR LIGHT**
(71) Applicant: **Xiaoling He**, Zhuzhou (CN)
(72) Inventor: **Xiaoling He**, Zhuzhou (CN)
(**) Term: **15 Years**
(21) Appl. No.: **29/714,335**
(22) Filed: **Nov. 22, 2019**
(51) **LOC (12) Cl.** **26-03**
(52) **U.S. Cl.**
USPC **D26/85**
(58) **Field of Classification Search**
USPC D26/72, 80, 85
CPC F21S 8/03; F21S 8/033; F21S 8/036; F21S
8/037; F21S 9/022; F21S 9/024; F21S
9/03; F21S 9/035; F21S 9/037; F21W
2131/107; G08B 13/193
See application file for complete search history.

D850,701 S 6/2019 Zhuo
D864,459 S * 10/2019 Pan D26/85
D866,043 S * 11/2019 Hu D26/85
2017/0370556 A1* 12/2017 Zheng F21V 17/107

OTHER PUBLICATIONS

LITOM 160 LED Outdoor Solar Motion Sensor Lights sold at amazon.com Sep. 8, 2019. (Year: 2019).*
CRUBON New 158 LED Motion Sensor Outdoor Solar Lights sold at amazon.com Apr. 22, 2018. (Year: 2018).*
CRUBON LED Security Motion Sensor Outdoor Lights sold at amazon.com Apr. 12, 2019. (Year: 2019).*

* cited by examiner

Primary Examiner — Clare E Heflin
(74) *Attorney, Agent, or Firm* — ScienBiziP, P.C.

(57) **CLAIM**

The ornamental design for a solar light, as shown and described.

(56) **References Cited**

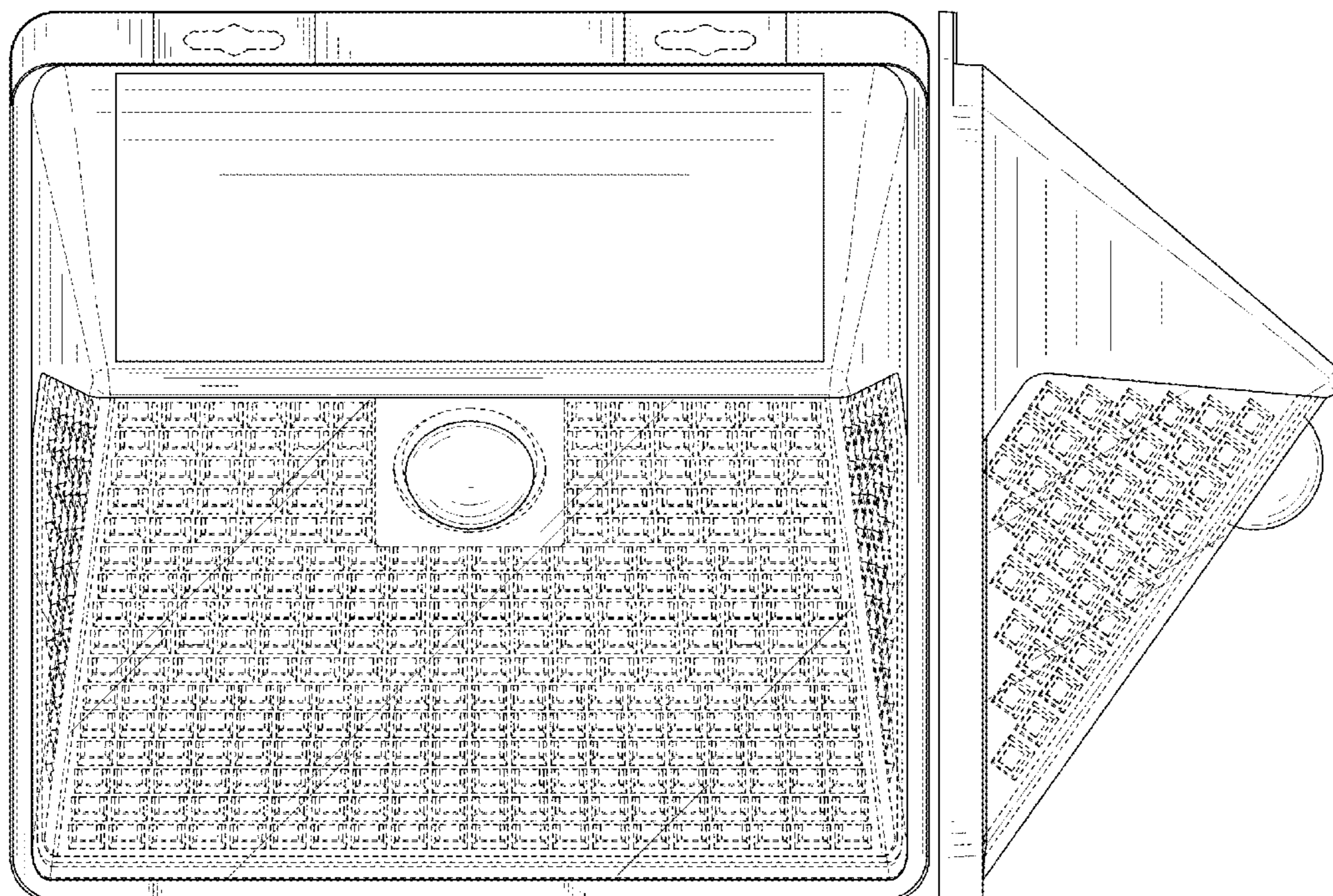
U.S. PATENT DOCUMENTS

D151,626 S * 11/1948 Kress D26/85
4,015,163 A * 3/1977 Iacobelli F21S 8/033
312/238
D553,783 S 10/2007 Lofrus et al.
D816,259 S * 4/2018 Liu D26/85
D829,956 S 10/2018 Liu
D836,816 S * 12/2018 Liu D26/85
D841,218 S * 2/2019 Liu D26/85
D841,864 S * 2/2019 Liu D26/85
D844,212 S 3/2019 Chen
D846,177 S * 4/2019 Wen D26/85
D848,049 S * 5/2019 Hu D26/85
D849,988 S * 5/2019 Li D26/85

DESCRIPTION

FIG. 1 is a top, front, right side perspective view of a solar light, showing my design.
FIG. 2 is a front elevation view thereof.
FIG. 3 is a rear elevation view thereof.
FIG. 4 is a left side elevation view thereof.
FIG. 5 is a right side elevation view thereof.
FIG. 6 is a top plan view thereof; and,
FIG. 7 is a bottom plan view thereof.
The details shown in broken lines form no part of the claimed design.

1 Claim, 7 Drawing Sheets



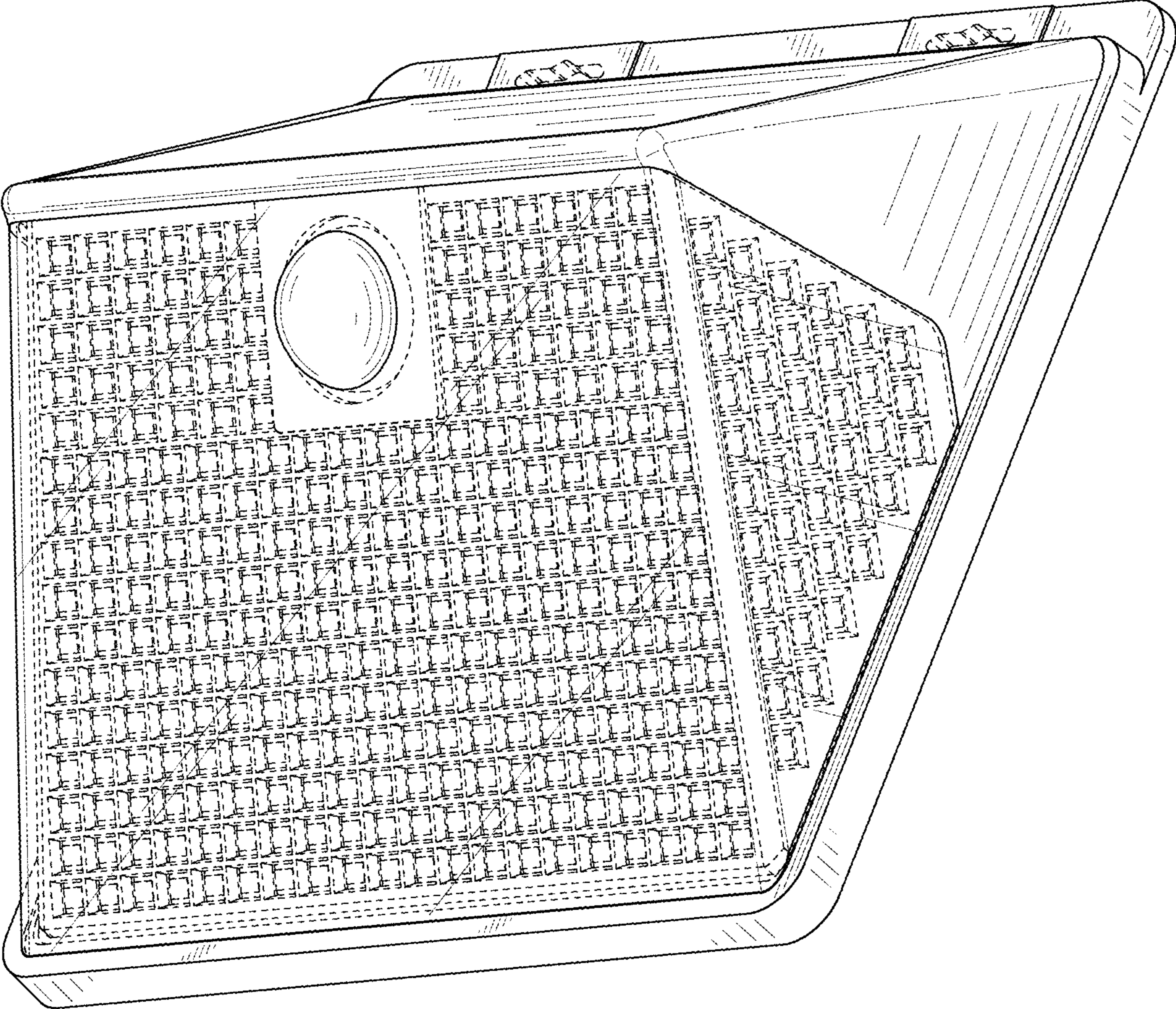


FIG. 1

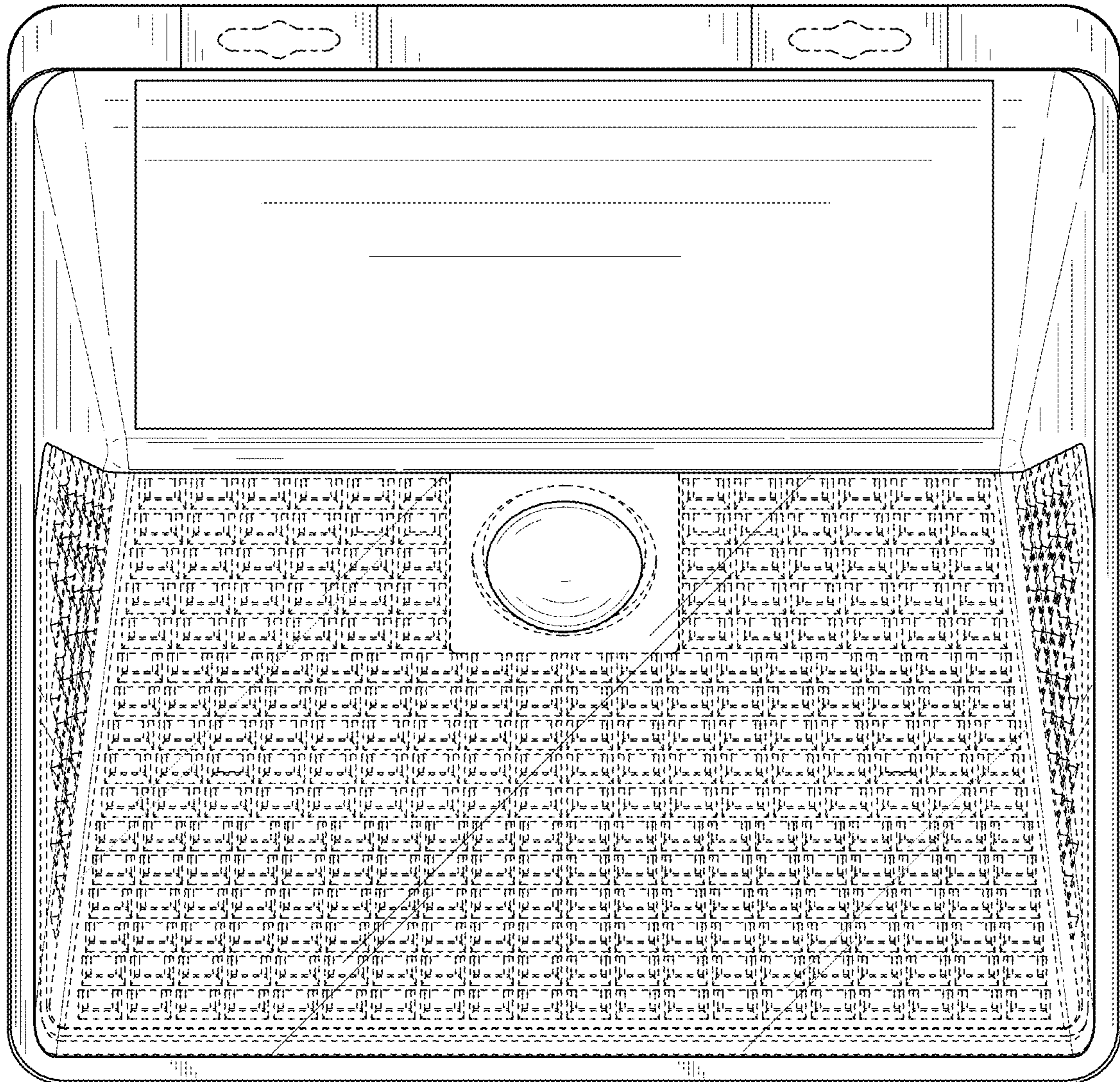


FIG. 2

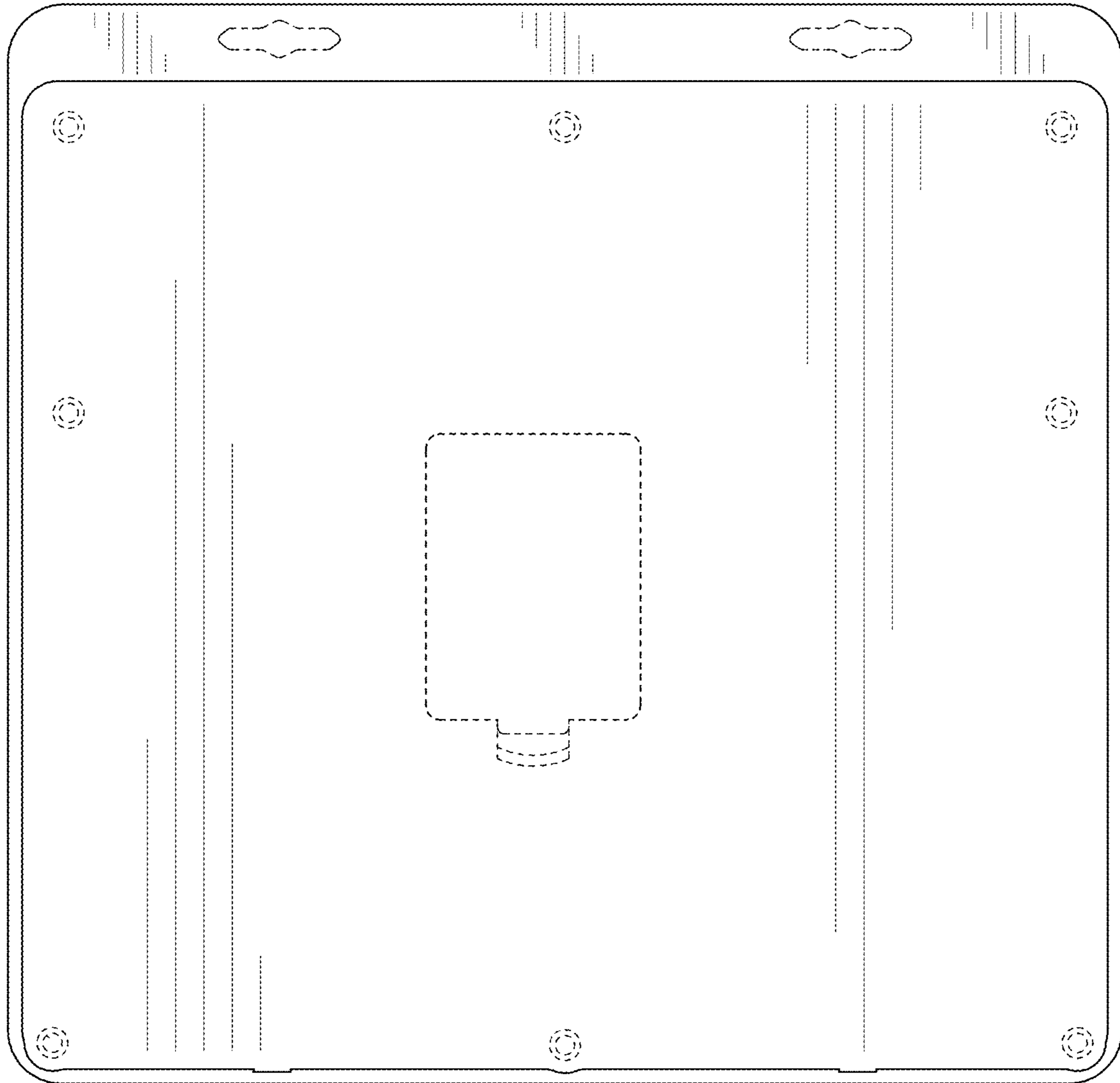


FIG. 3

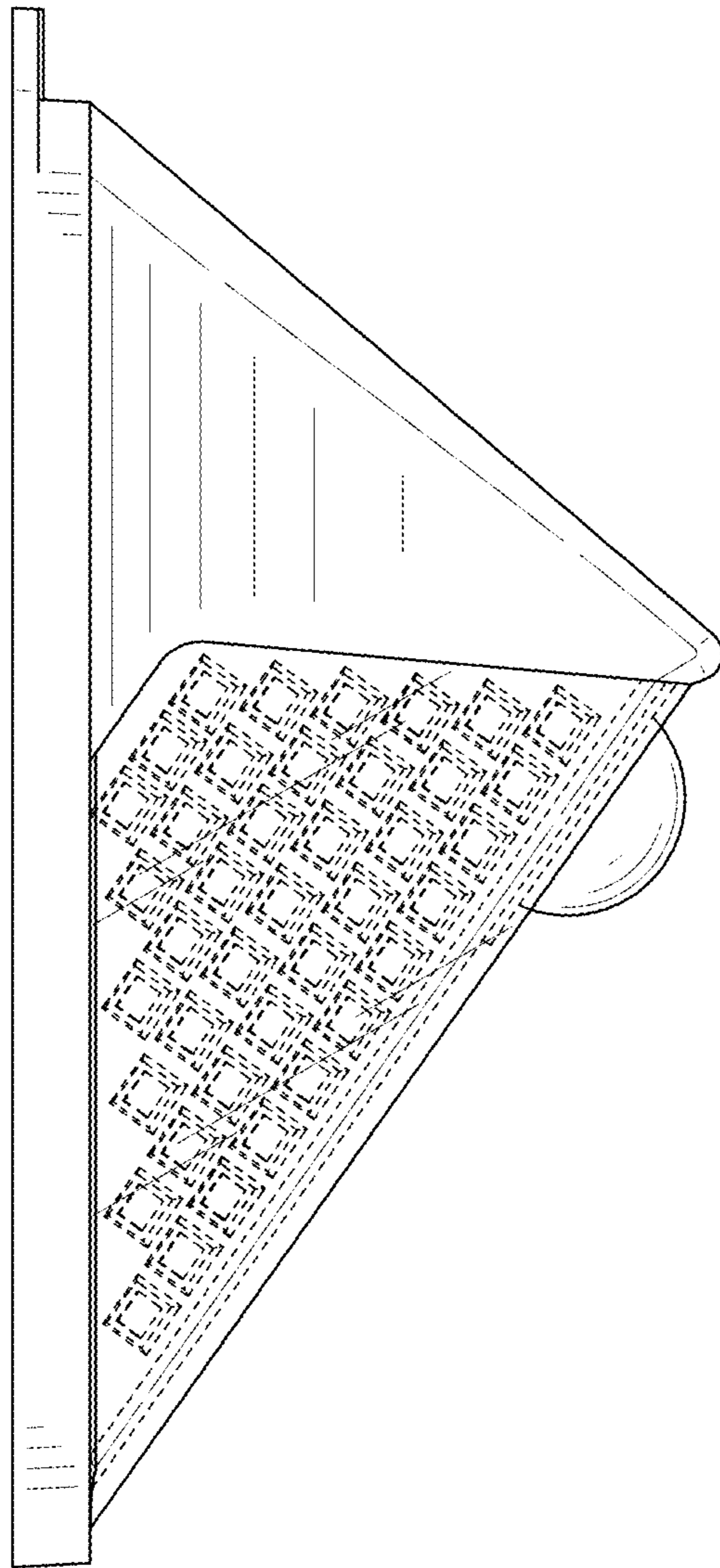


FIG. 4

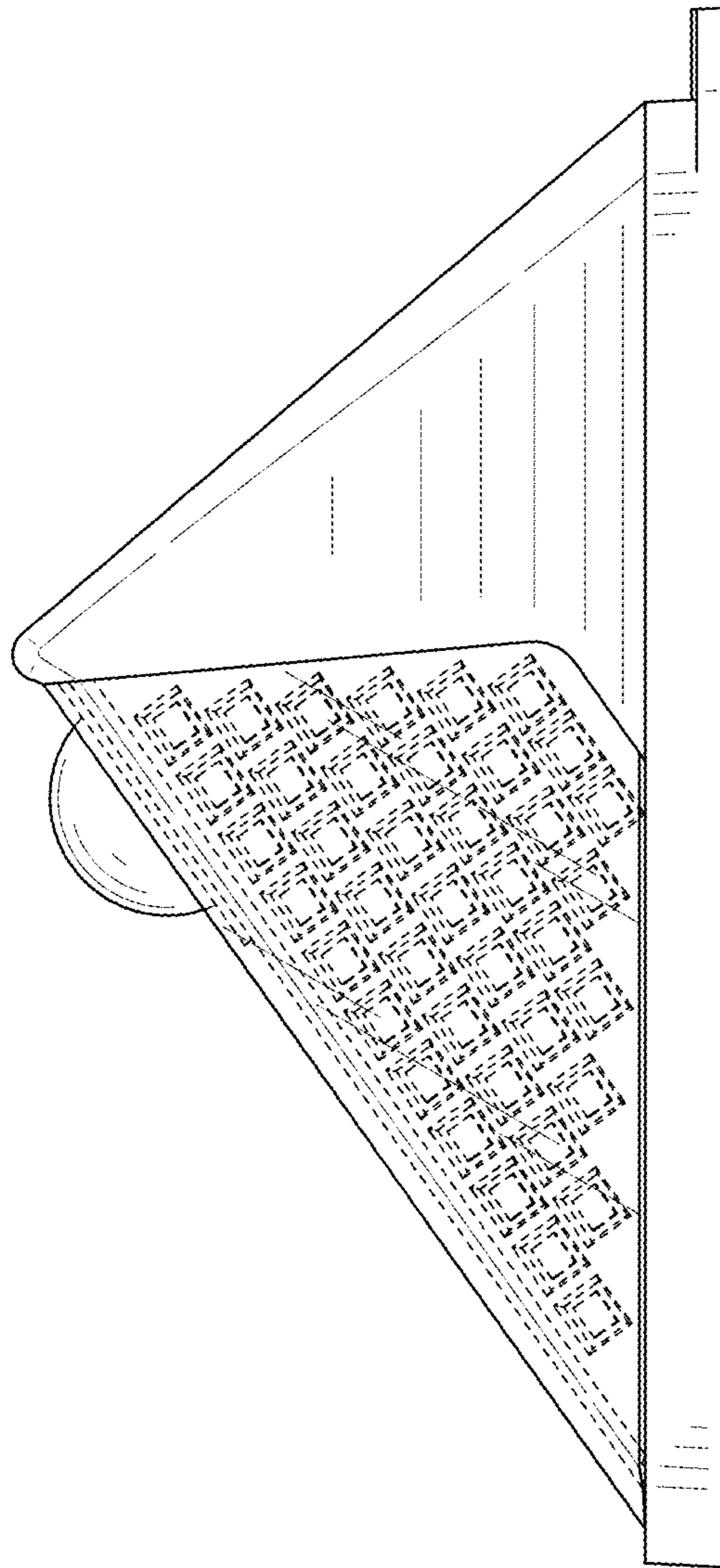


FIG. 5

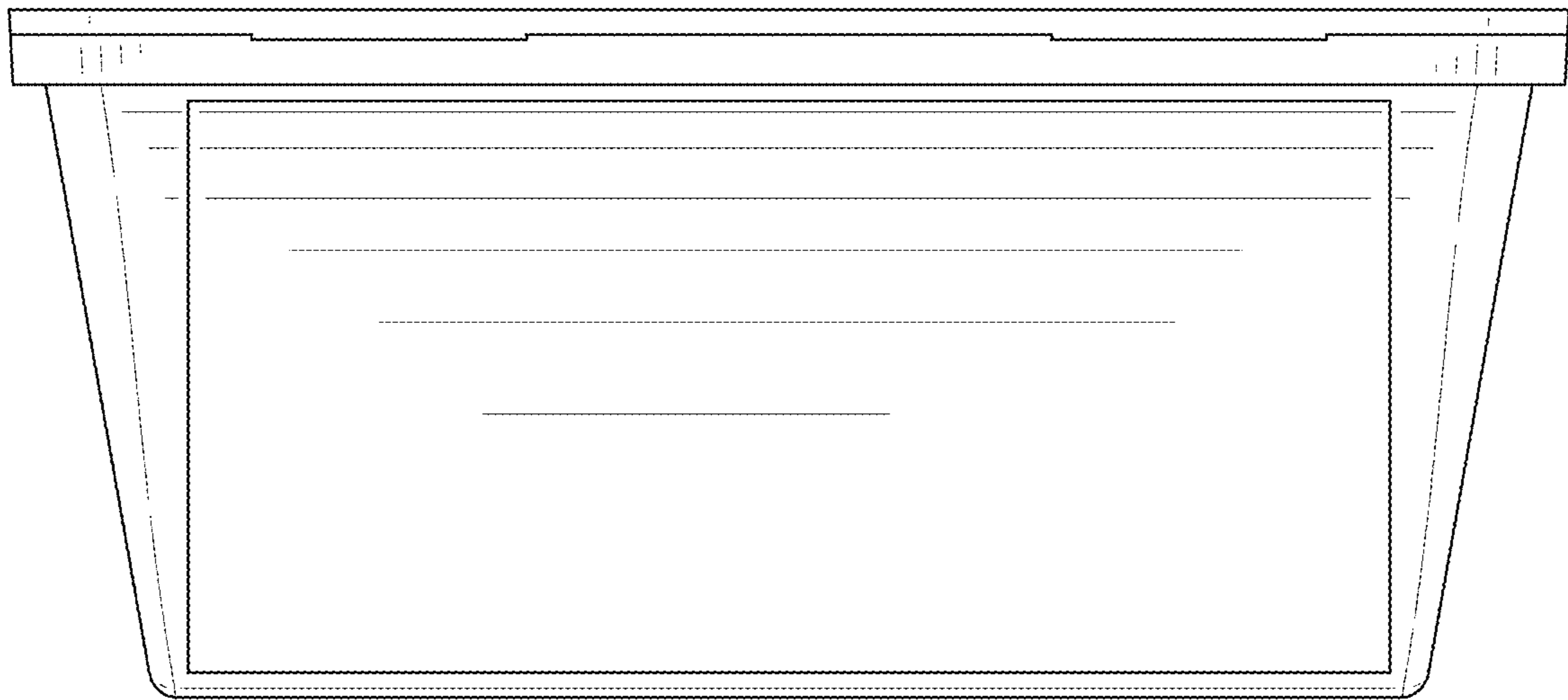


FIG. 6

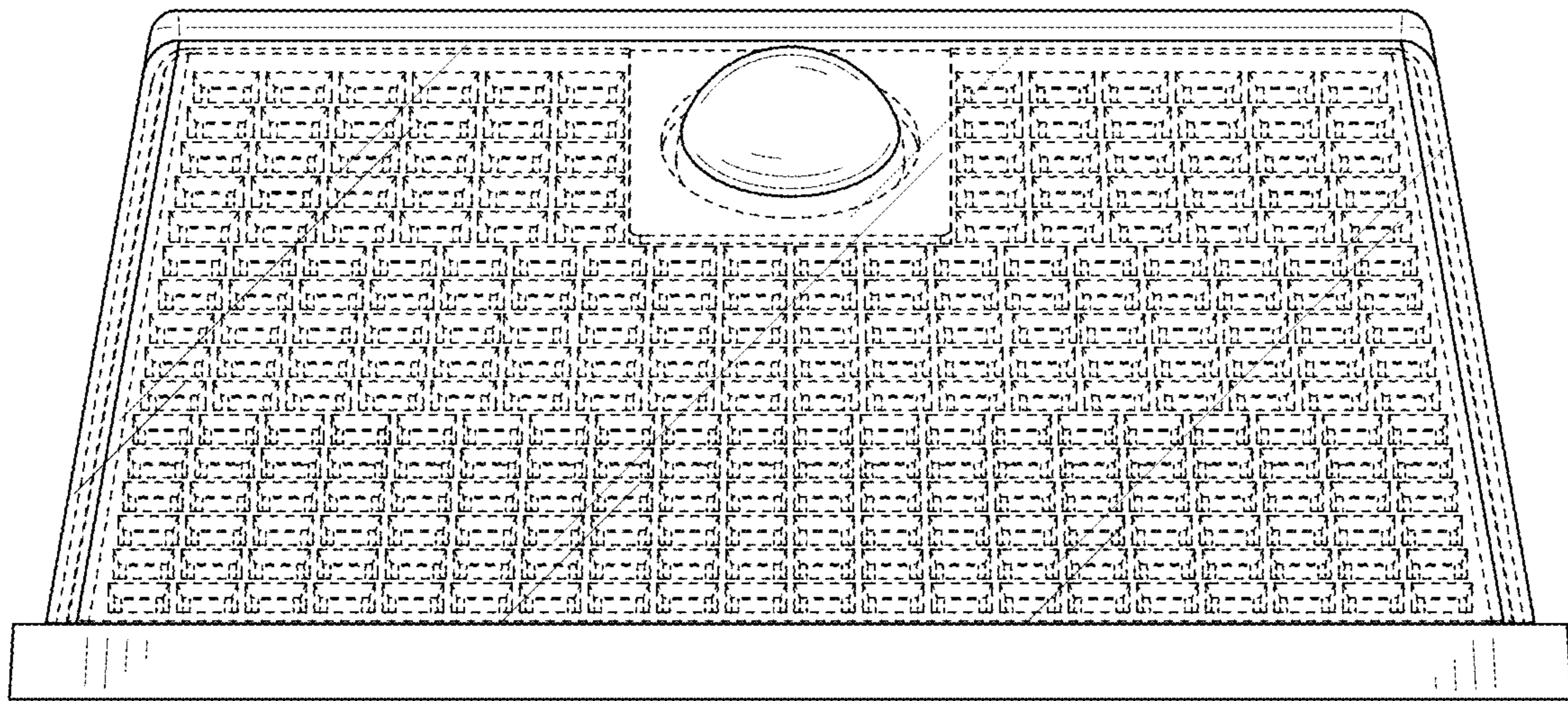


FIG. 7