



US00D882146S

(12) **United States Design Patent**
Layne et al.

(10) **Patent No.:** **US D882,146 S**
(45) **Date of Patent:** **** Apr. 21, 2020**

- (54) **LIGHTING FIXTURE**
- (71) Applicant: **ABL IP Holding LLC**, Atlanta, GA (US)
- (72) Inventors: **Bruce N. Layne**, Wheaton, IL (US); **William E. Budzileni**, Monroe, GA (US); **Jack Leighton Ries, II**, Granville, OH (US); **William King Pixler**, Atlanta, GA (US); **Bulent Erel**, Roswell, GA (US)
- (73) Assignee: **ABL IP Holding LLC**, Atlanta, GA (US)

D698,479	S	*	1/2014	Soni	D26/71
9,404,628	B2	*	8/2016	Newton	B23P 11/00
D766,485	S	*	9/2016	Ladewig	D26/71
D776,851	S	*	1/2017	Compton	D26/71
D781,482	S	*	3/2017	McCracken, Jr.	D26/71
D793,601	S	*	8/2017	Ladewig	D26/71
9,835,314	B1	*	12/2017	Wright	F21V 17/10
D810,985	S	*	2/2018	McCracken, Jr.	D26/71
D818,176	S	*	5/2018	McCracken	D26/85
D831,254	S	*	10/2018	Pouladian	D26/71
D831,872	S	*	10/2018	Sinai	D26/71
D843,628	S	*	3/2019	Compton	D26/71
10,228,103	B1	*	3/2019	Zhou	F21V 23/0471
D850,693	S	*	6/2019	Pan	D26/71
D850,694	S	*	6/2019	Pan	D26/71
D854,228	S	*	7/2019	Yu	D26/113

(Continued)

(**) Term: **15 Years**

Primary Examiner — Cathron C Brooks

(21) Appl. No.: **29/641,894**

(74) *Attorney, Agent, or Firm* — Kilpatrick Townsend & Stockton LLP

(22) Filed: **Mar. 26, 2018**

(51) **LOC (12) Cl.** **26-03**

(52) **U.S. Cl.**
USPC **D26/71**

(58) **Field of Classification Search**
USPC D26/26, 67–72, 76, 80, 81, 85–88, 92, D26/154
CPC .. F21S 8/032; F21S 8/081; F21S 8/085; F21S 8/086; F21S 9/03; F21S 9/032; F21S 9/035; F21S 9/037; F21W 2131/10; F21W 2131/103; F21W 2131/107; F21W 2131/109; F21V 29/74; F21V 29/76; F21V 29/763; F21V 29/767; F21V 29/77
See application file for complete search history.

(56) **References Cited**

U.S. PATENT DOCUMENTS

D634,873	S	*	3/2011	Guercio	D26/71
D636,920	S	*	4/2011	Boissevain	D26/71
D663,462	S	*	7/2012	Butler	D26/71
D672,492	S	*	12/2012	Butler	D26/71

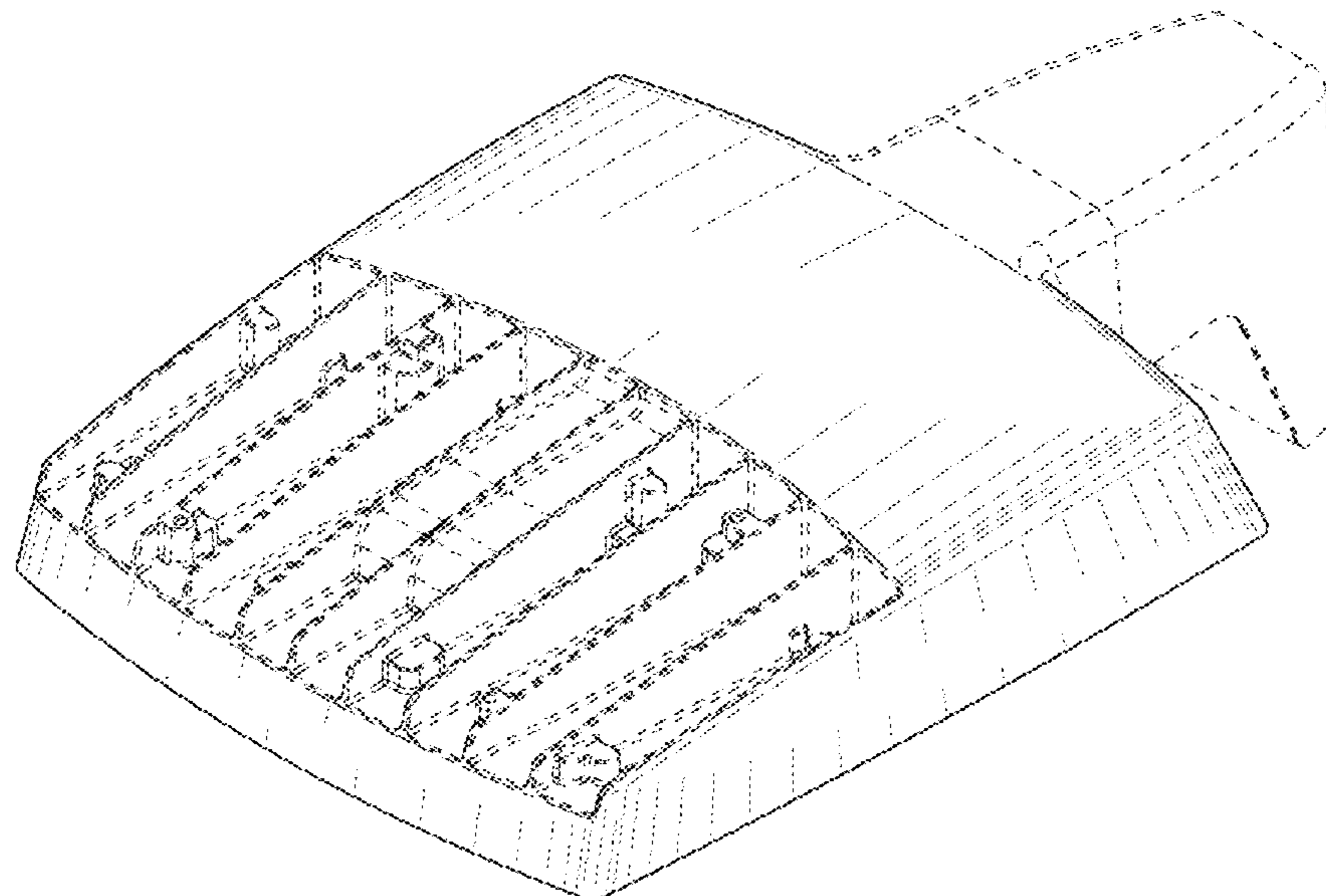
(57) **CLAIM**

The ornamental design for a lighting fixture, as shown and described.

DESCRIPTION

FIG. 1 is an isometric view of a lighting fixture.
FIG. 2 is another isometric view of the lighting fixture of FIG. 1.
FIG. 3 is a front view of the lighting fixture of FIG. 1.
FIG. 4 is a right side view of the lighting fixture of FIG. 1.
FIG. 5 is a rear view of the lighting fixture of FIG. 1.
FIG. 6 is a left side view of the lighting fixture of FIG. 1.
FIG. 7 is a top view of the lighting fixture of FIG. 1; and, FIG. 8 is a bottom view of the lighting fixture of FIG. 1.
The dashed broken lines in the drawings denote structure that is not part of the claimed design. The long dash-short dash-long dash lines in the drawings denote unclaimed boundaries of the design.

1 Claim, 6 Drawing Sheets



(56)

References Cited

U.S. PATENT DOCUMENTS

D854,721 S * 7/2019 Sohn D26/71
D862,762 S * 10/2019 Guercio D26/71
D869,725 S * 12/2019 Wang D26/71
2010/0238671 A1* 9/2010 Catone F21S 8/086
362/373
2013/0027935 A1* 1/2013 Ladewig F21S 2/00
362/249.01
2015/0345772 A1* 12/2015 Duckworth F21V 29/76
362/373
2016/0320046 A1* 11/2016 Duckworth F21V 21/108
2017/0307197 A1* 10/2017 Clark F21S 8/086

* cited by examiner

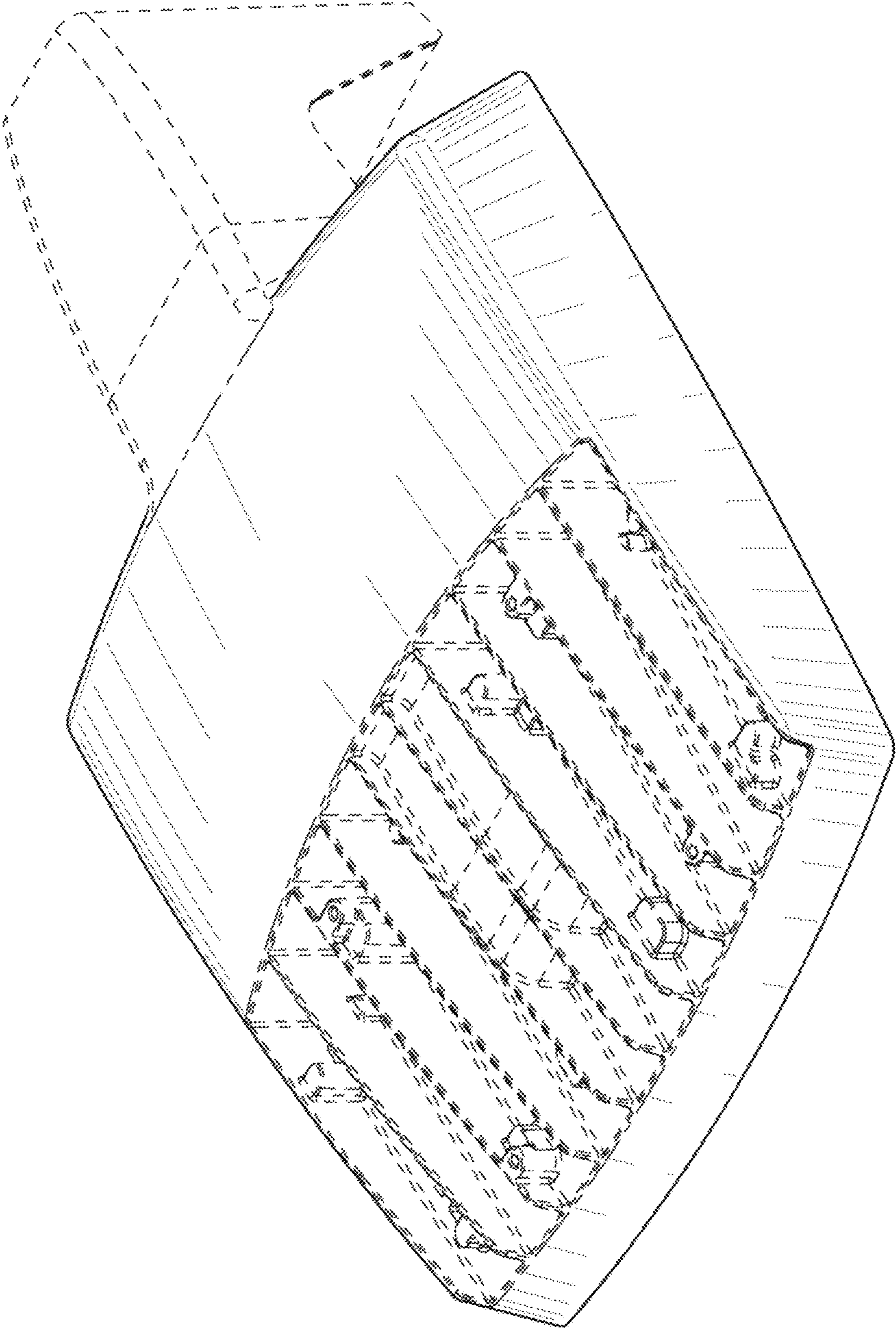


FIG. 1

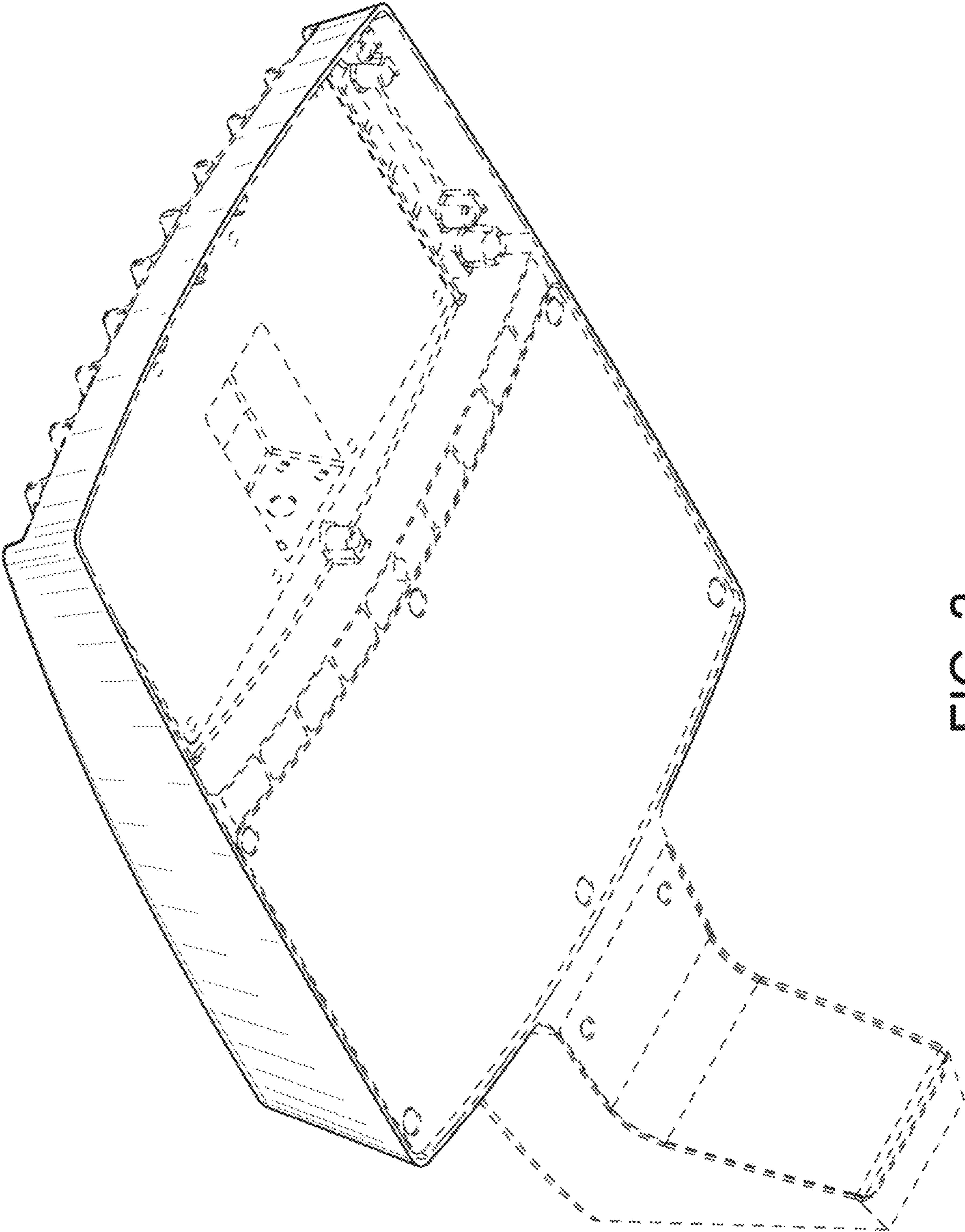


FIG. 2

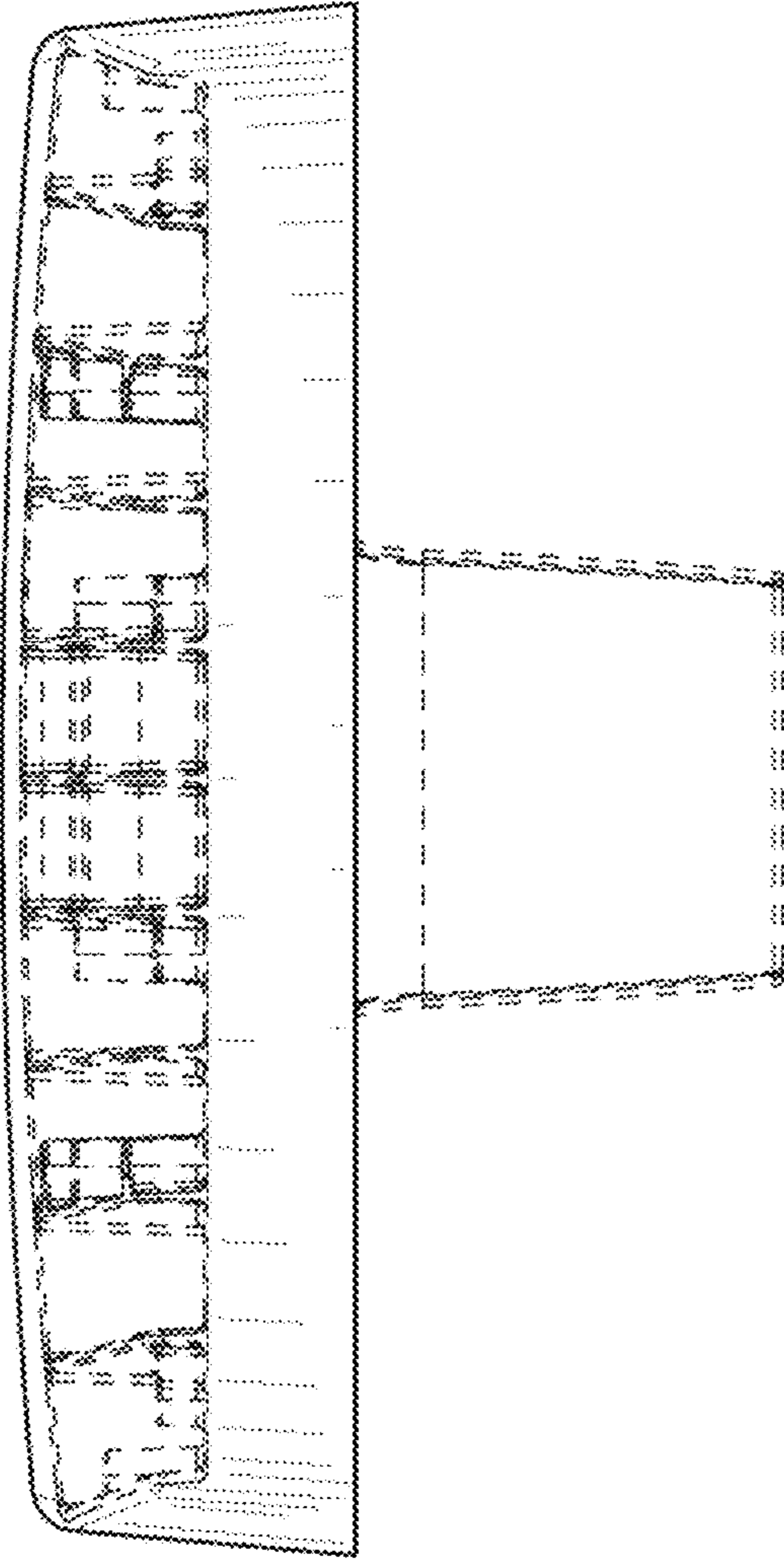


FIG. 3

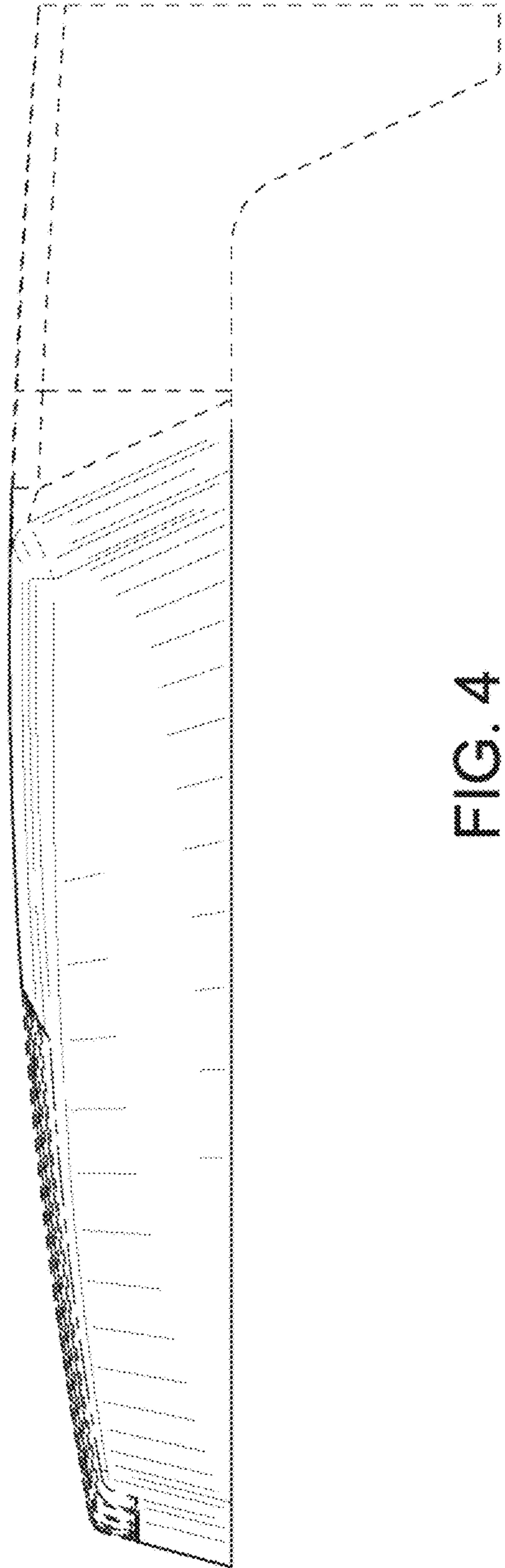


FIG. 4

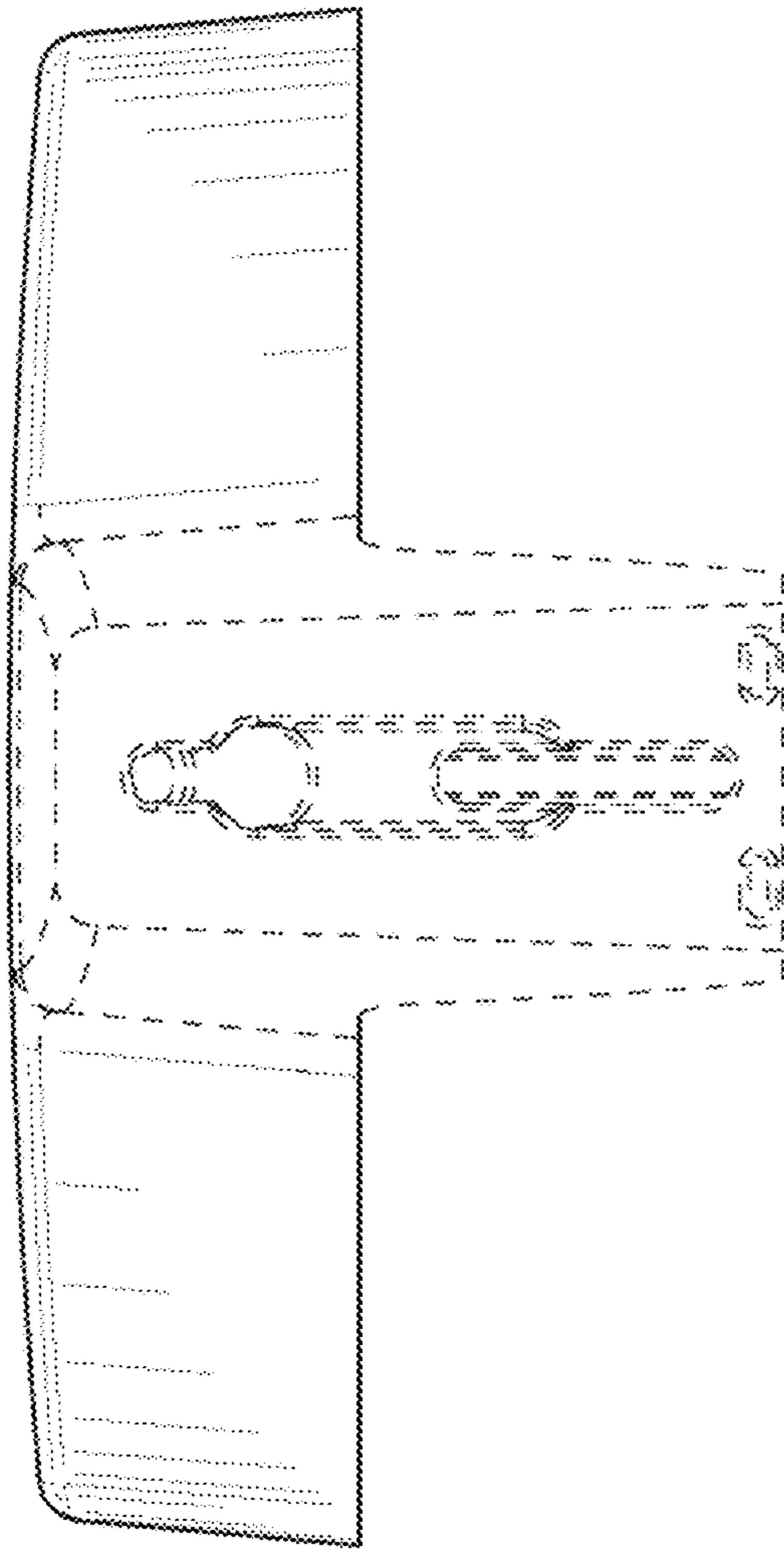


FIG. 5

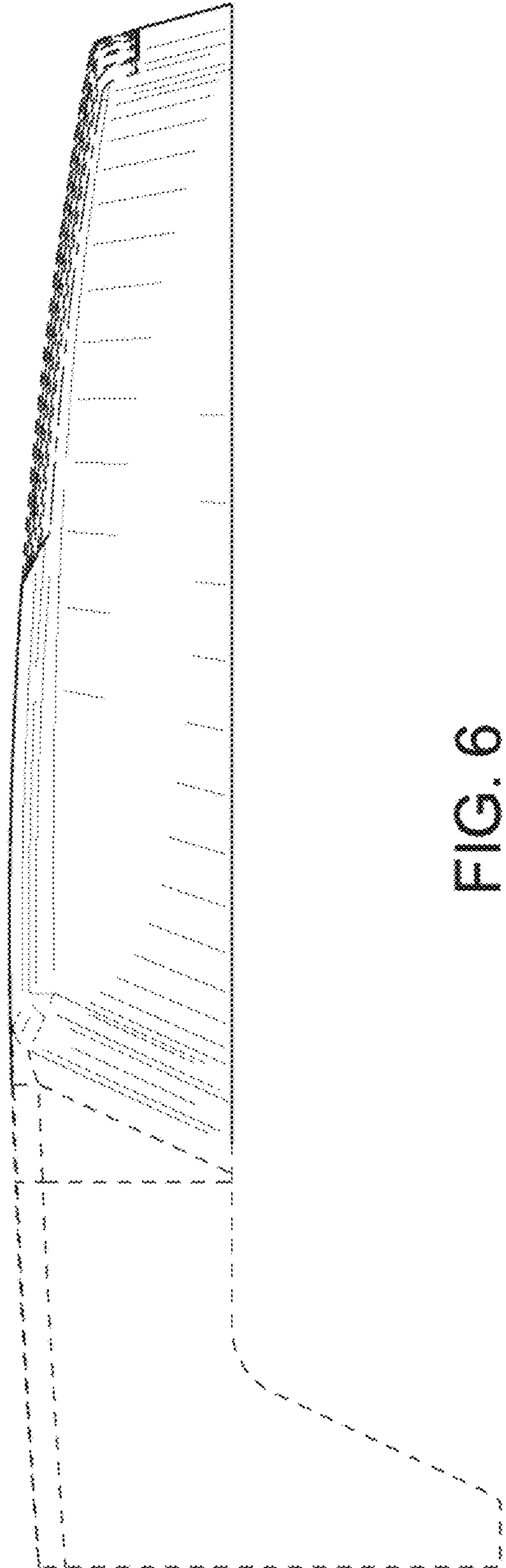


FIG. 6

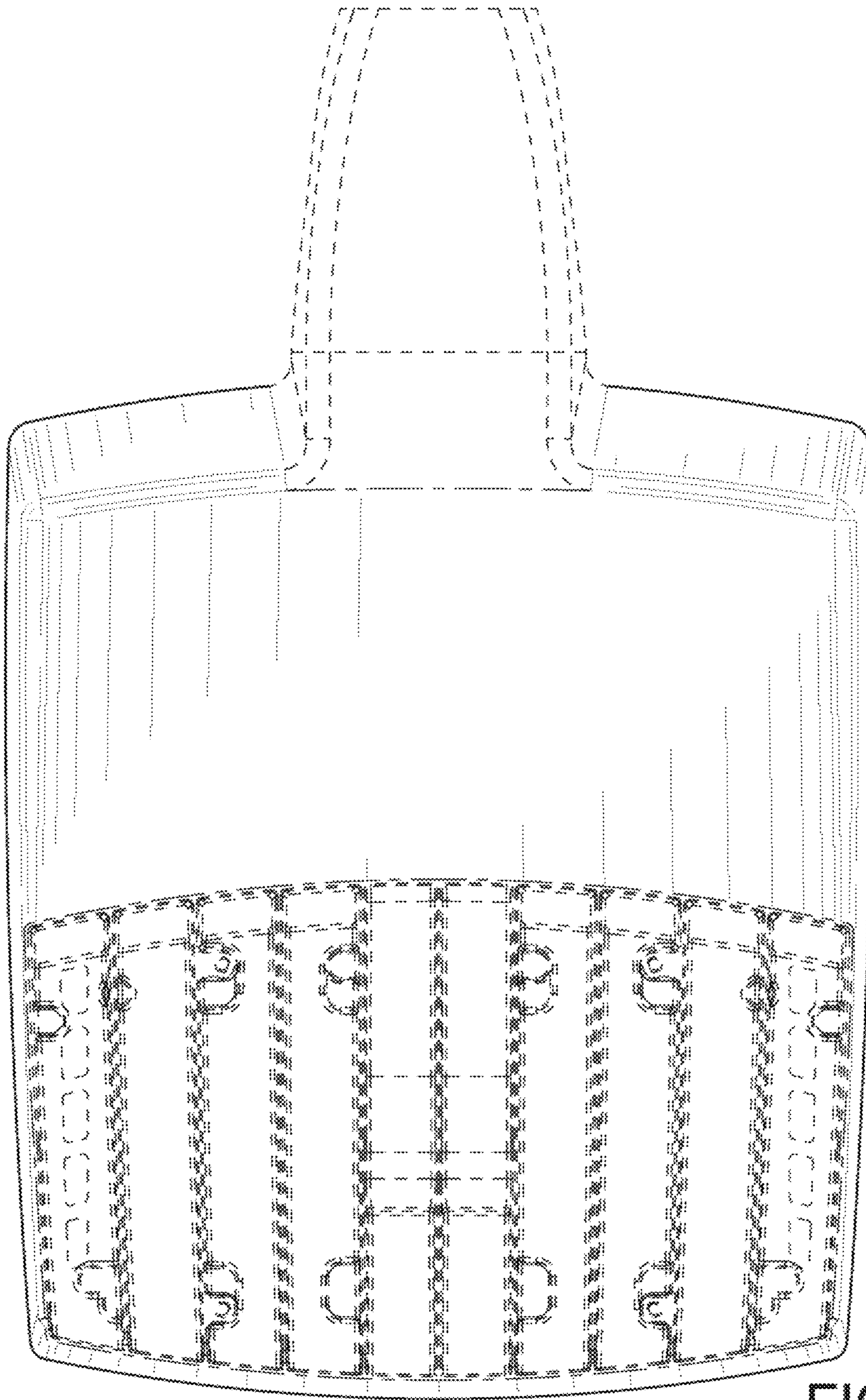


FIG. 7

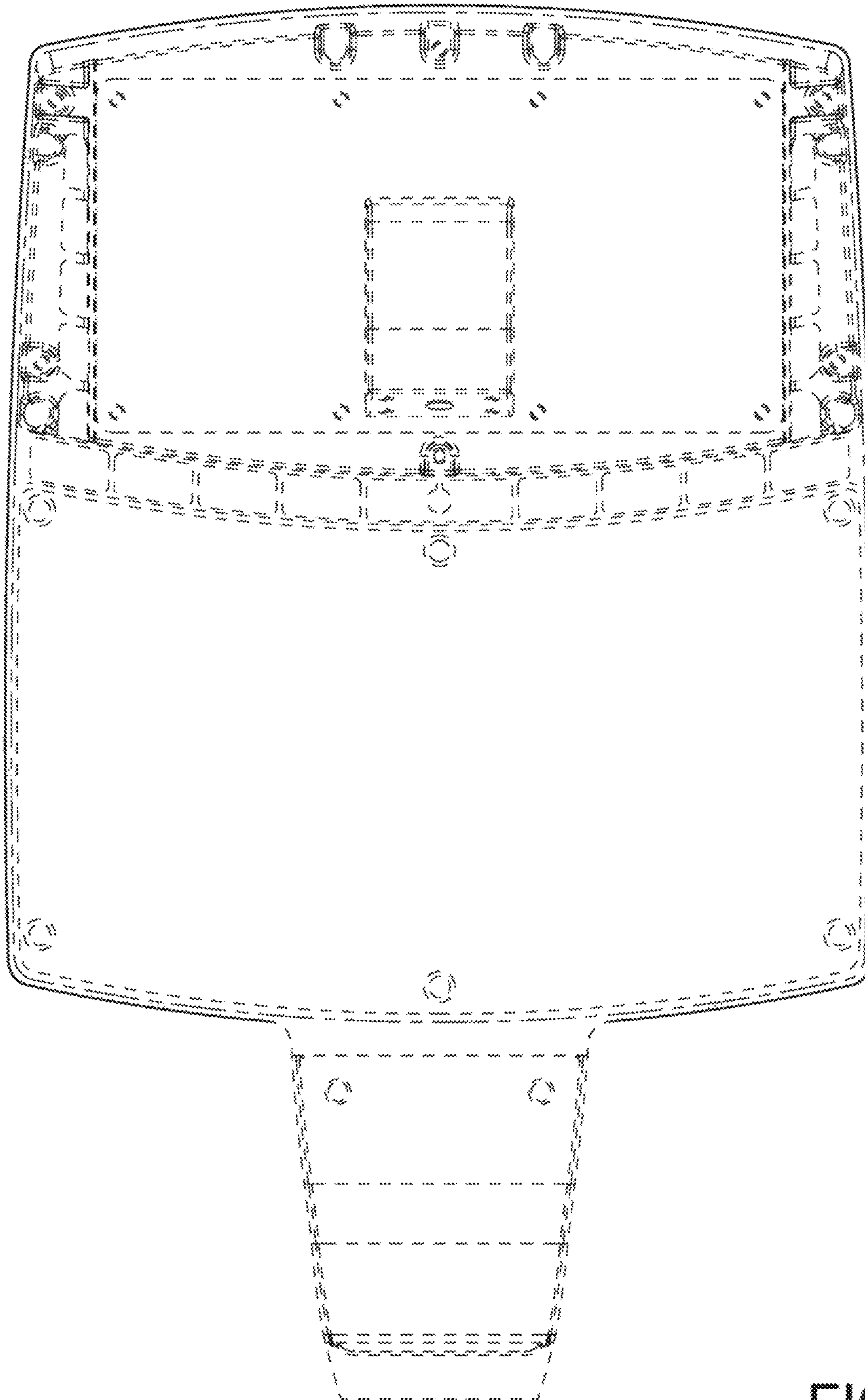


FIG. 8