



US00D882145S

(12) **United States Design Patent**  
**Mai**

(10) **Patent No.:** **US D882,145 S**

(45) **Date of Patent:** **\*\* Apr. 21, 2020**

(54) **SOLAR LIGHT**

(71) Applicant: **Quanhua Mai**, Zhongshan (CN)

(72) Inventor: **Quanhua Mai**, Zhongshan (CN)

(\*\*) Term: **15 Years**

(21) Appl. No.: **29/712,459**

(22) Filed: **Nov. 8, 2019**

(51) **LOC (12) Cl.** ..... **26-05**

(52) **U.S. Cl.**  
USPC ..... **D26/67**

(58) **Field of Classification Search**  
USPC ..... D26/67-71

CPC .... F21S 8/08; F21S 8/081; F21S 8/083; F21S  
8/088; F21S 9/03; F21S 9/037; F21V  
21/0824; F21W 2111/02; F21W 2131/109

See application file for complete search history.

(56) **References Cited**

**U.S. PATENT DOCUMENTS**

D129,831 S *	10/1941	Davidson	.....	D26/67
D429,016 S *	8/2000	Cohen	.....	D26/67
D485,000 S *	1/2004	Chen	.....	D26/67
D485,001 S *	1/2004	Chen	.....	D26/67
D526,081 S *	8/2006	Wen	.....	D26/67
D549,381 S *	8/2007	Curtin	.....	D26/67
D550,389 S *	9/2007	Shih	.....	D26/67
D553,780 S *	10/2007	Bucher	.....	D26/67
D564,690 S *	3/2008	Chung	.....	D26/67
D598,155 S	8/2009	Lee		
D618,166 S	6/2010	Sanoner		
D625,874 S *	10/2010	Sanoner	.....	D26/67
D630,362 S	1/2011	Sooferian		
D666,758 S *	9/2012	Ho	.....	D26/67
D772,463 S *	11/2016	Stern	.....	D26/67

D785,223 S *	4/2017	Patton	.....	D26/67
D822,866 S *	7/2018	Chen	.....	D26/67
2019/0128512 A1 *	5/2019	Bai	.....	F21V 23/004

**OTHER PUBLICATIONS**

Greig Hanging Solar Outdoor Wall Lantern from Fleur De Lis Living. sold at wayfair.com as early as May 13, 2019. (Year: 2019).\*

Acree Outdoor Wall Lantern from Breakwater Bay, sold at wayfair.com, as early as Dec. 28, 2019. (Year: 2019).\*

Joann Industrial Textured Outdoor Wall Lantern from Williston Forge. Found at wayfair.com visited Jan. 15, 2020 (Year: 2020).\*

Oman 1-Light Outdoor Wall Lantern from Breakwater Bay, sold at wayfair.com as early as Jun. 28, 2016. (Year: 2016).\*

\* cited by examiner

*Primary Examiner* — Clare E Heflin

(74) *Attorney, Agent, or Firm* — ScienBiziP, P.C.

(57) **CLAIM**

The ornamental design for a solar light, as shown and described.

**DESCRIPTION**

FIG. 1 is a front elevation view of a solar light, showing my design.

FIG. 2 is a rear elevation view thereof.

FIG. 3 is a left side elevation view thereof.

FIG. 4 is a right side elevation view thereof.

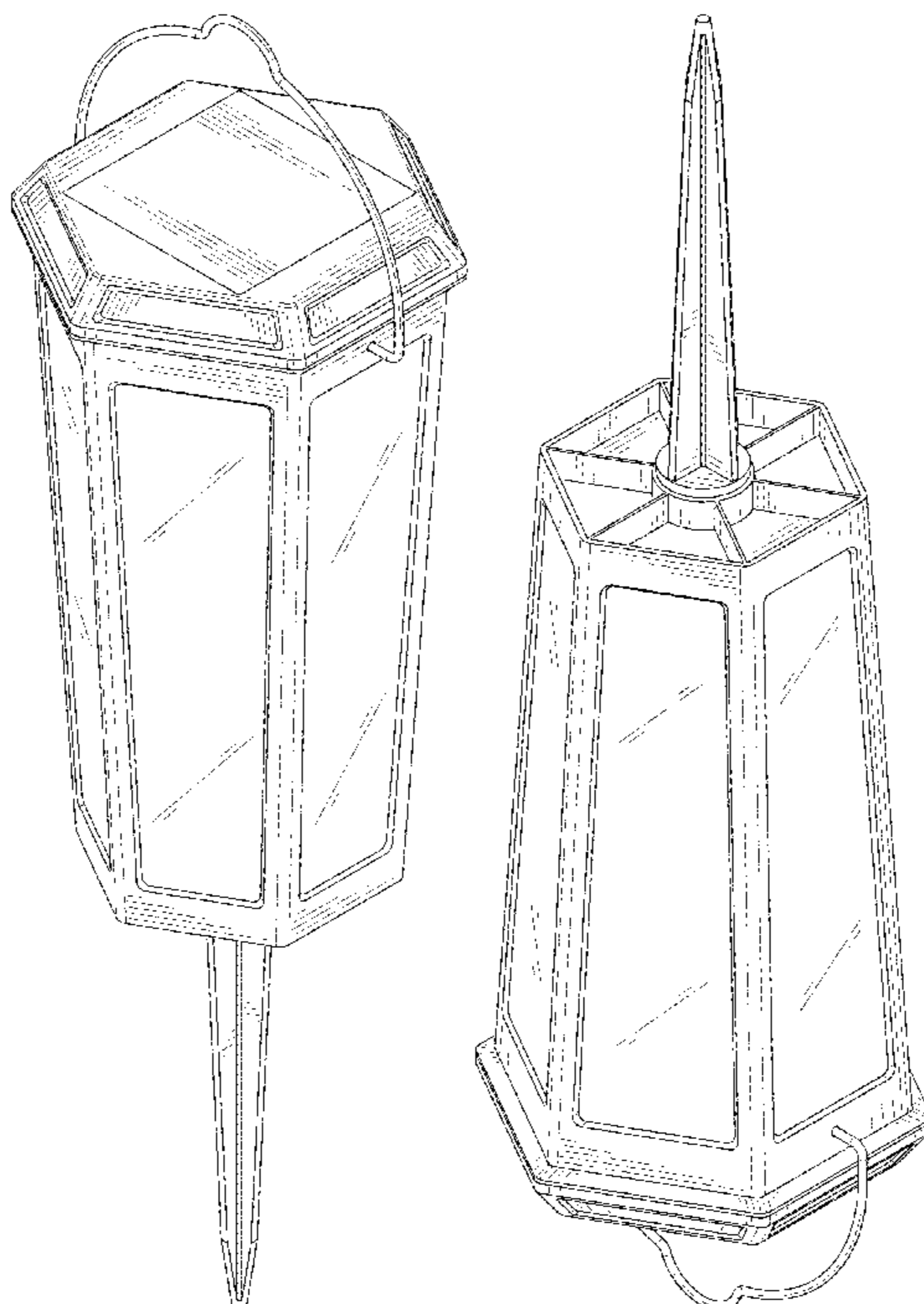
FIG. 5 is a top plan view thereof.

FIG. 6 is a bottom plan view thereof.

FIG. 7 is a top, front, right side perspective view thereof; and,

FIG. 8 is a bottom, rear, left side perspective view thereof.

**1 Claim, 8 Drawing Sheets**



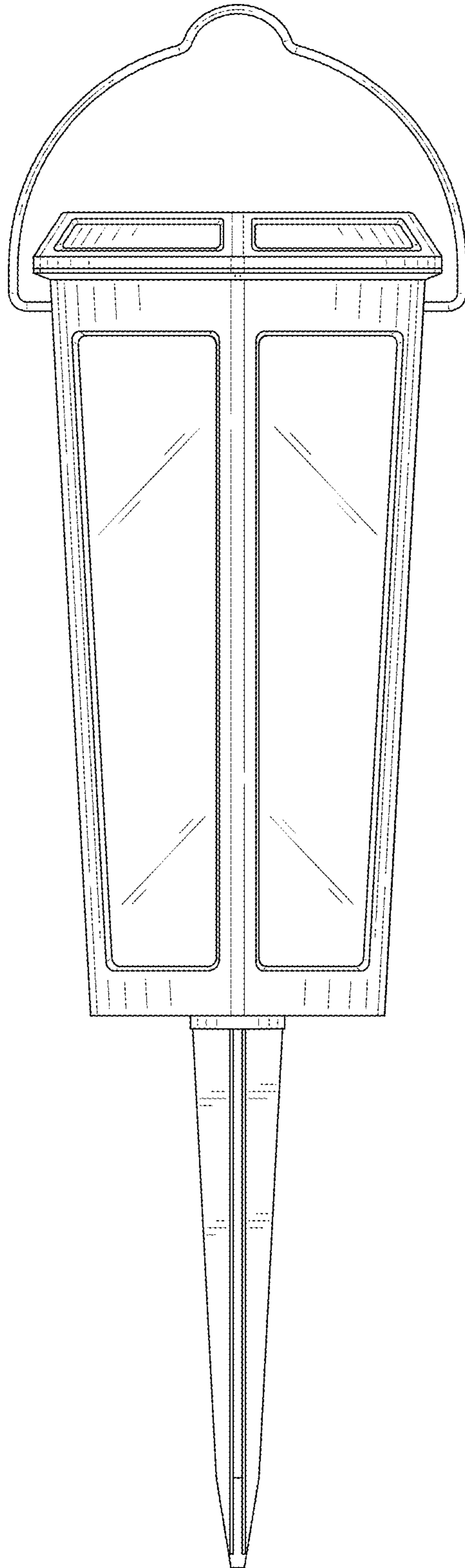


FIG. 1

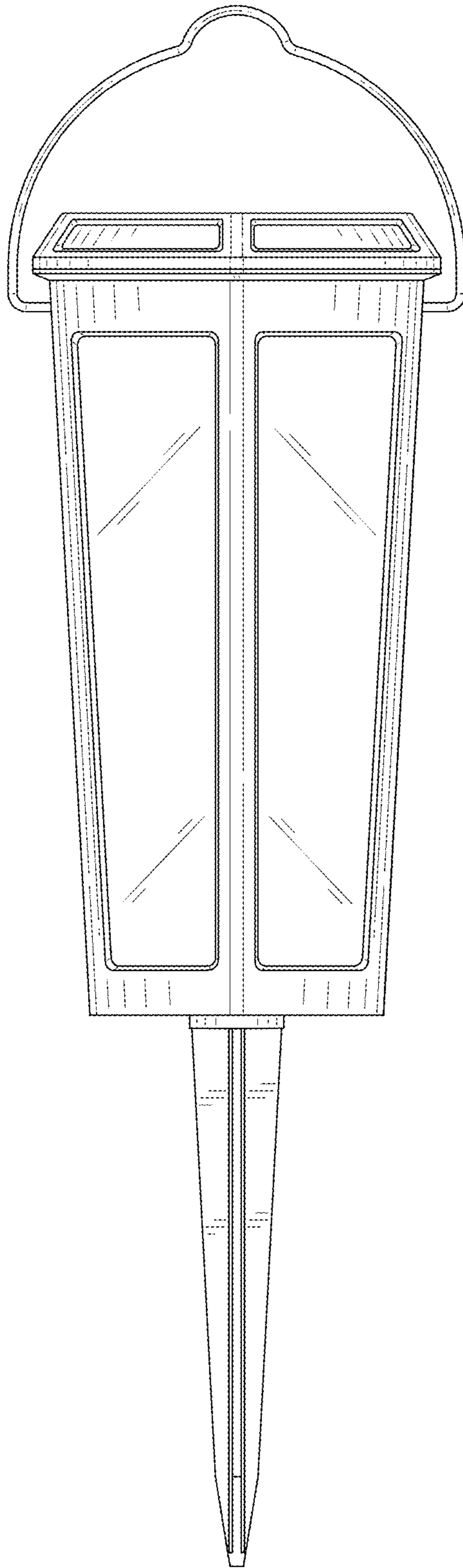


FIG. 2

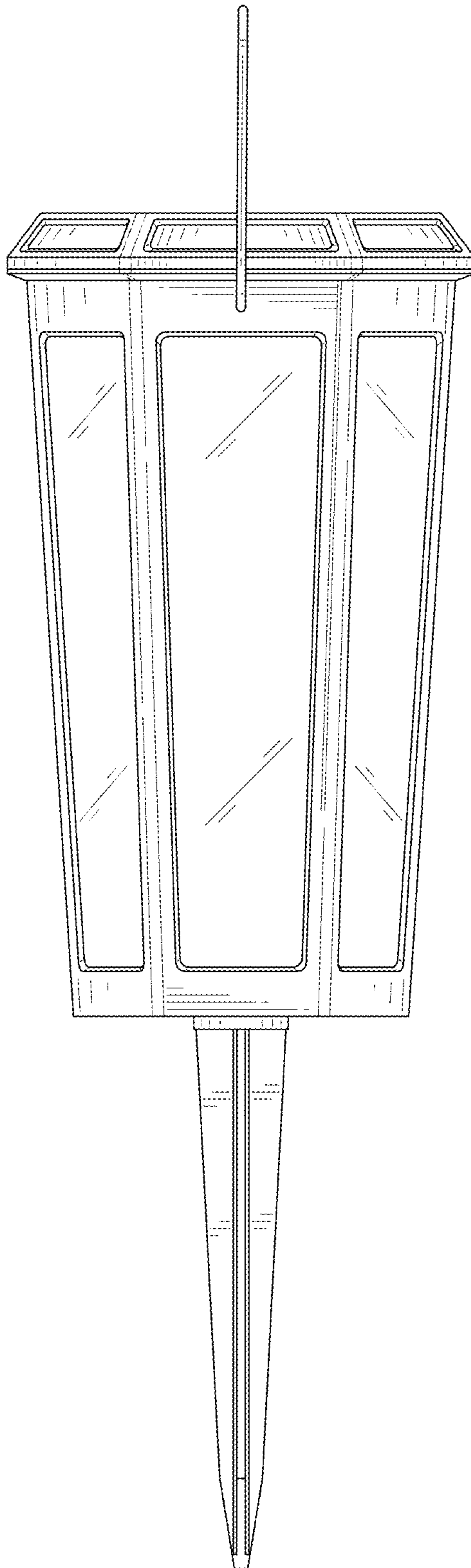


FIG. 3

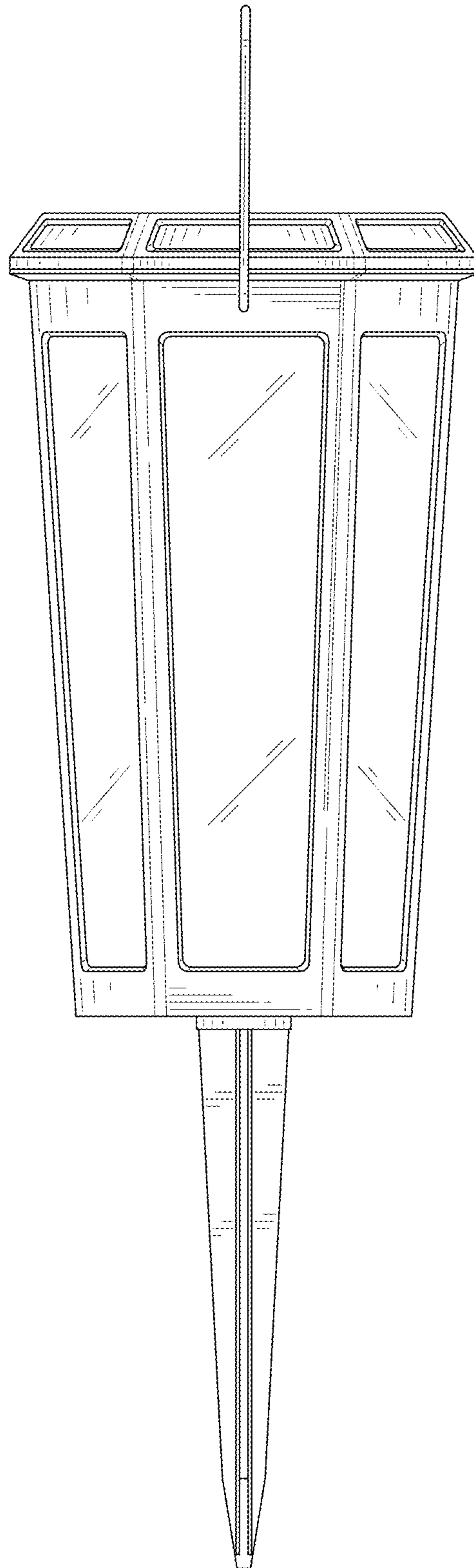


FIG. 4

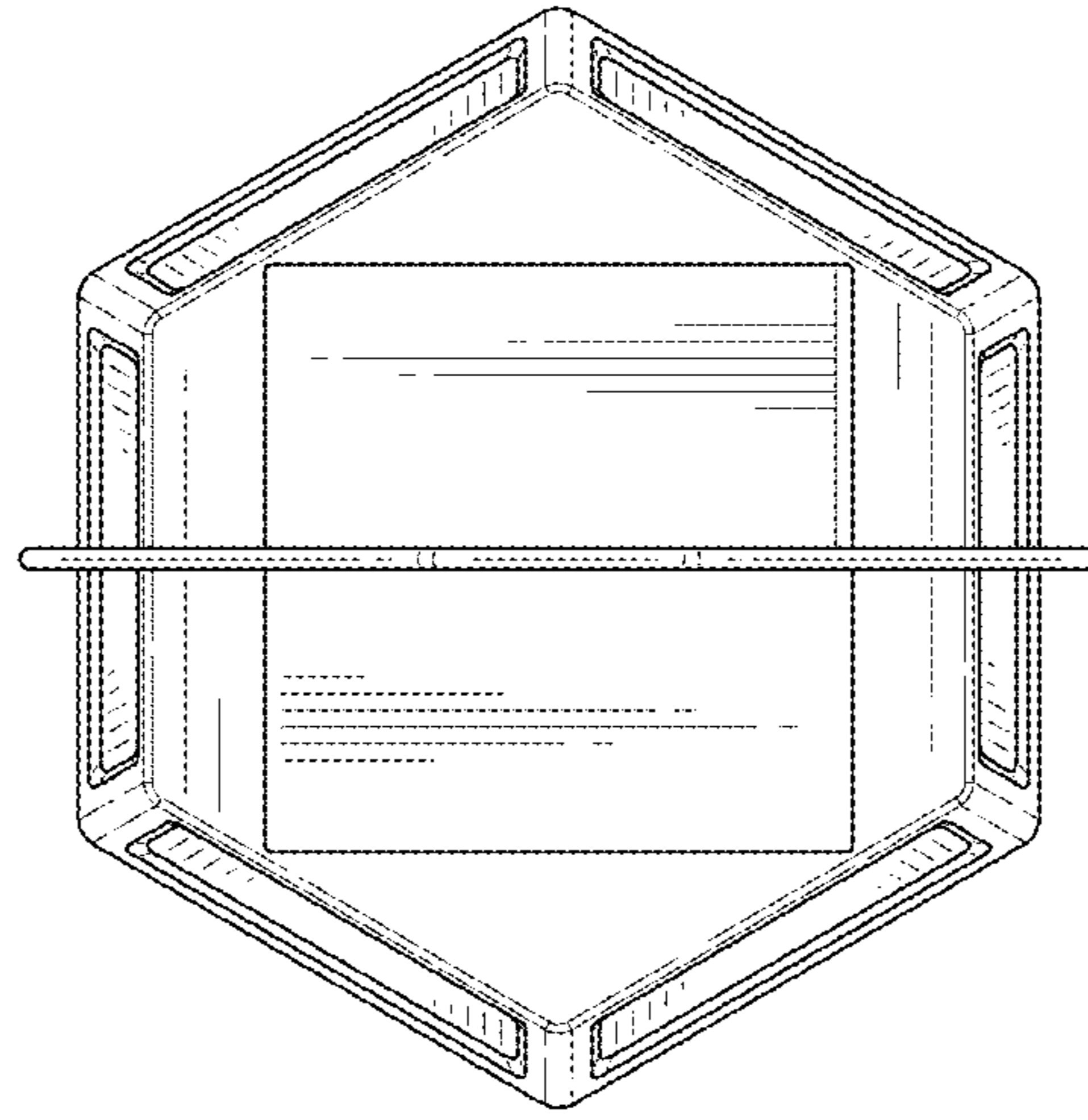


FIG. 5

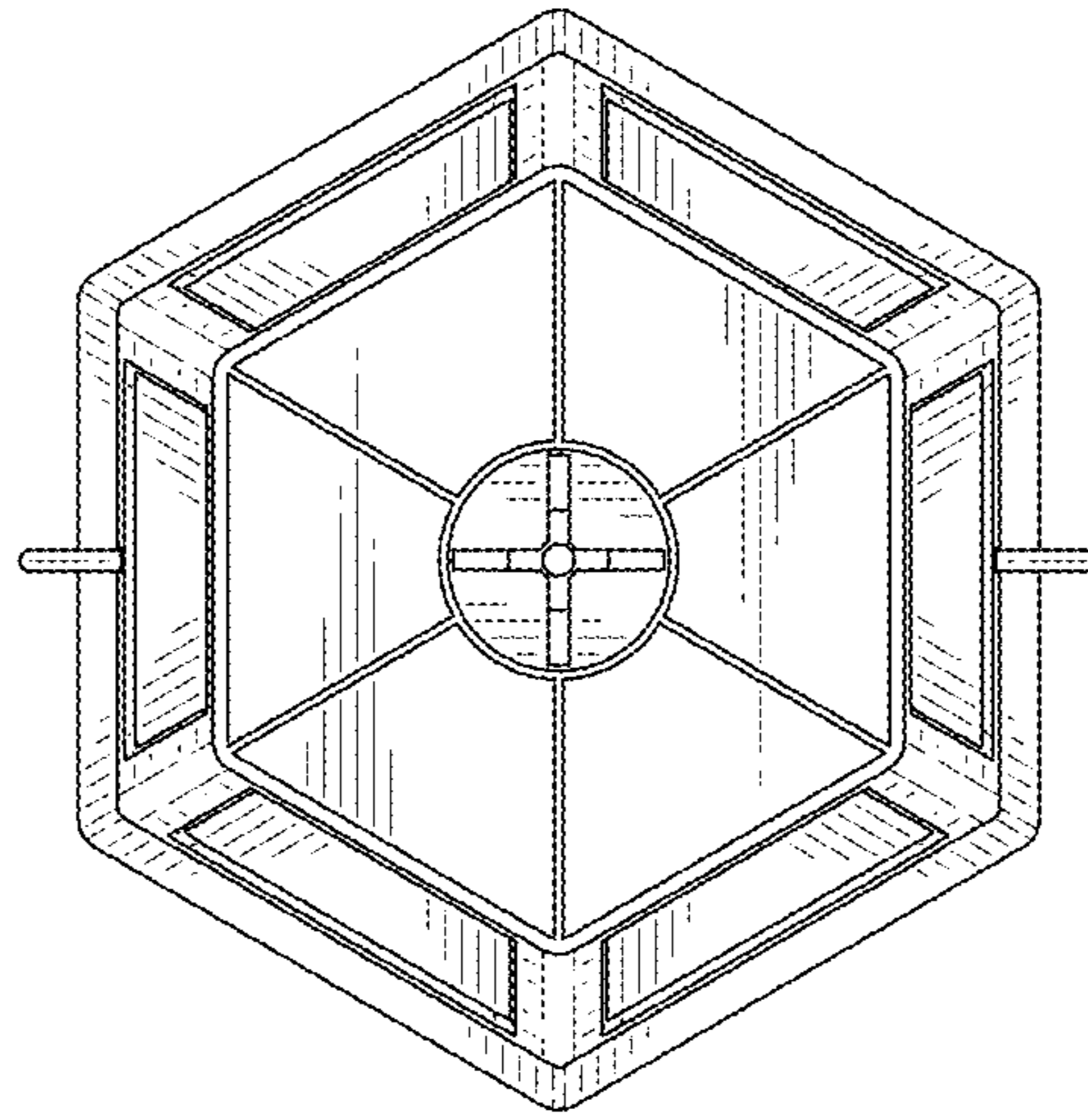


FIG. 6

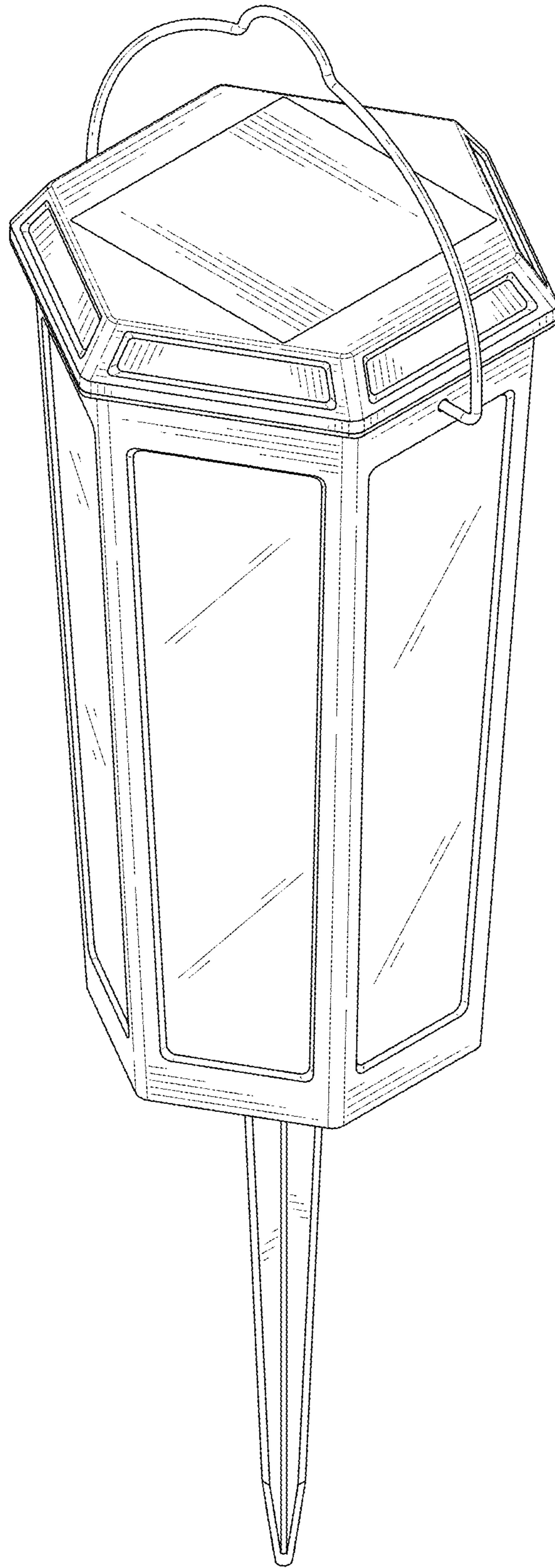


FIG. 7



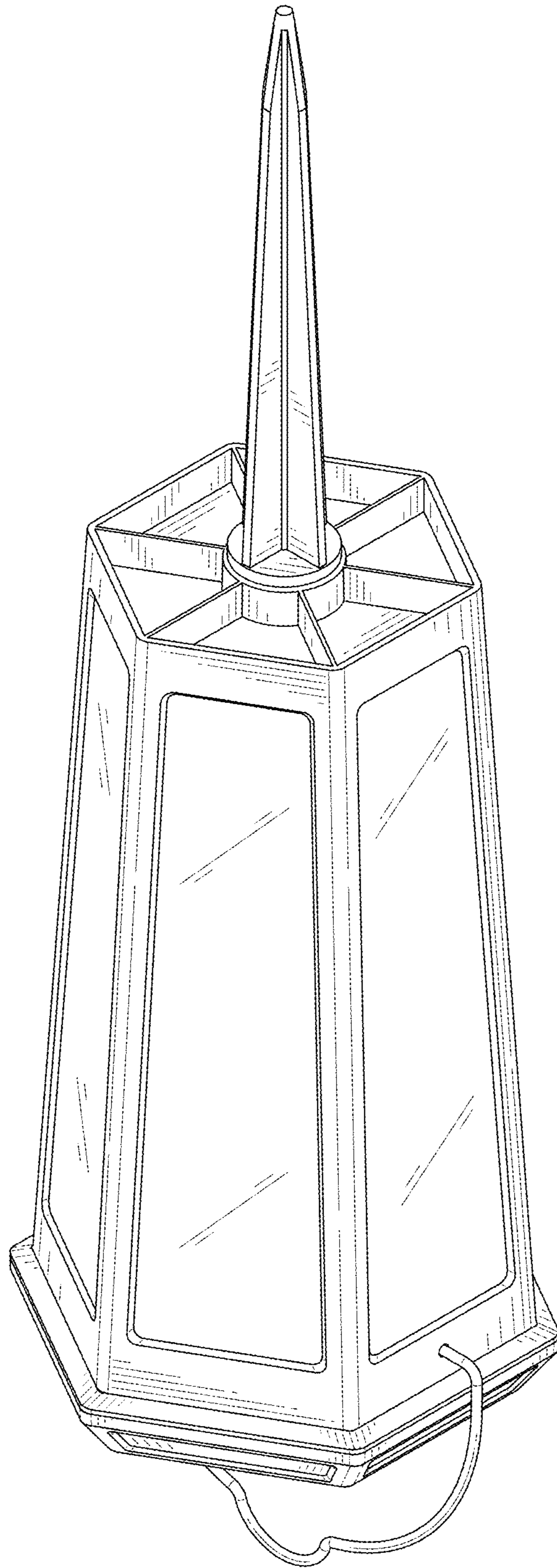


FIG. 8