



US00D882144S

(12) **United States Design Patent**
Zhu

(10) **Patent No.:** **US D882,144 S**
(45) **Date of Patent:** **** Apr. 21, 2020**

(54) **SOLAR LIGHT**

(71) Applicant: **Wei Yan**, Pinghu (CN)

(72) Inventor: **Qihua Zhu**, Pinghu (CN)

(73) Assignee: **Wei Yan**, Pinghu (CN)

(**) Term: **15 Years**

(21) Appl. No.: **29/676,664**

(22) Filed: **Jan. 14, 2019**

(51) **LOC (12) Cl.** **26-05**

(52) **U.S. Cl.**
USPC **D26/67**

(58) **Field of Classification Search**
USPC D26/67-70
CPC .. F21S 8/081; F21S 8/083; F21S 8/088; F21S
8/032; F21S 9/037; F21V 3/023; F21V
21/0824; F21W 2111/023; F21W
2131/109; F21L 4/04
See application file for complete search history.

(56) **References Cited**

U.S. PATENT DOCUMENTS

5,823,431	A *	10/1998	Pierce	B05B 17/08 239/19
D574,104	S *	7/2008	Sanoner	D26/67
D616,129	S *	5/2010	Sanoner	D26/67
D822,253	S *	7/2018	Wu	D26/68
D841,873	S *	2/2019	Hollinger	D26/118
D864,452	S *	10/2019	Wei	D26/67
D866,839	S *	11/2019	Yan	D26/67

2009/0059572	A1 *	3/2009	Wang	F21S 9/037 362/183
2017/0184260	A1 *	6/2017	Munoz Abogabir	...	H02S 20/00
2019/0128486	A1 *	5/2019	Hollinger	F21L 4/04

OTHER PUBLICATIONS

Biling Solar Disk Lights, at amazon.com Jul. 10, 2019. (Year: 2019).*
Solar Ground Lights by YH-Lights, ASIN: B07V2HXTBR, at amazon.com Jul. 11, 2019. (Year: 2019).*
Solar In-Ground Lawn Pathway Disk Lights review by OKWINT, posted on youtube.com Nov. 17, 2018. <youtube.com/watch?v=9ArSUSCQ4ws>. (Year: 2018).*

* cited by examiner

Primary Examiner — Clare E Heflin

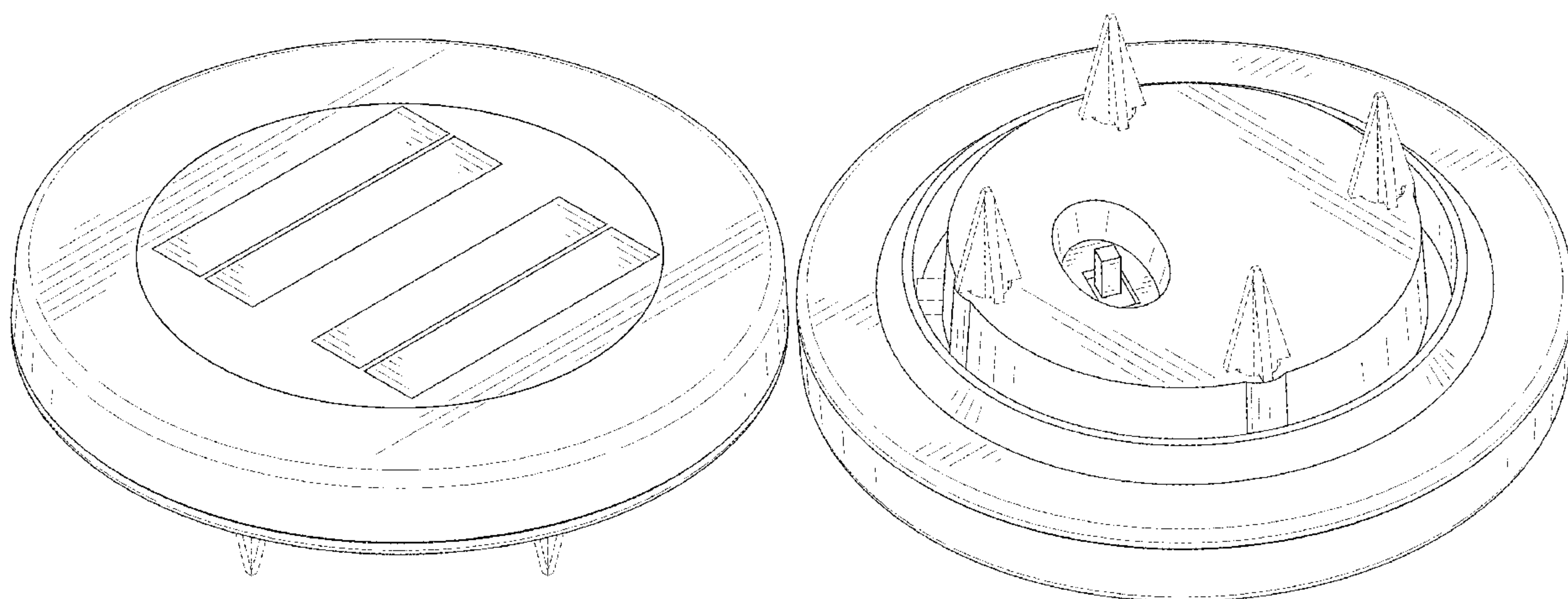
(57) **CLAIM**

The ornamental design for a solar light, as shown and described.

DESCRIPTION

FIG. 1 is a perspective view of a solar light showing my new design;
FIG. 2 is another perspective view thereof;
FIG. 3 is a front elevational view thereof;
FIG. 4 is a rear elevational view thereof;
FIG. 5 is a left side elevational view thereof;
FIG. 6 is a right side elevational view thereof;
FIG. 7 is a top plan view thereof; and,
FIG. 8 is a bottom plan view thereof.
The broken lines in the drawings illustrate portions of the solar light that form no part of the claimed design.

1 Claim, 8 Drawing Sheets



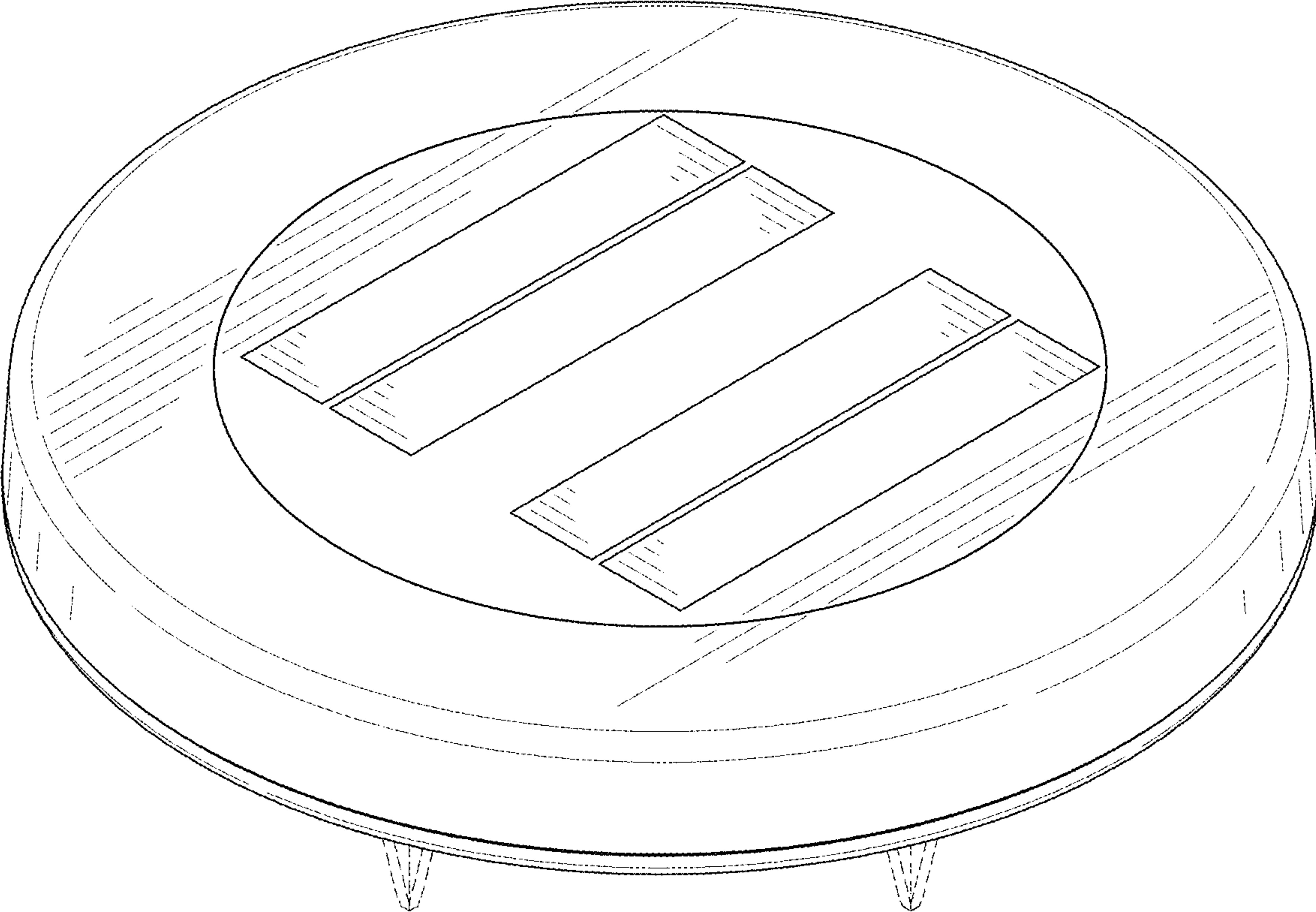


FIG. 1

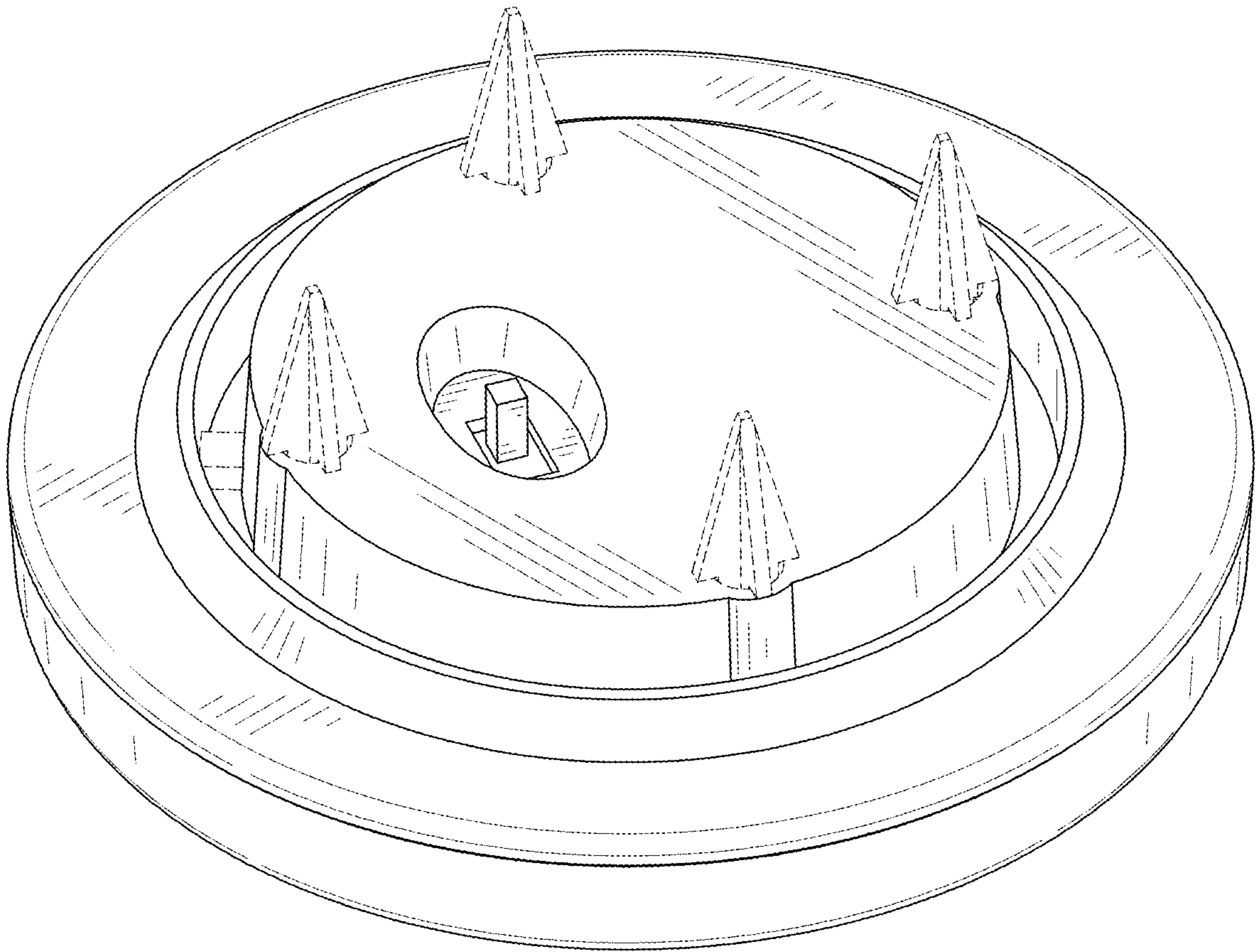


FIG. 2

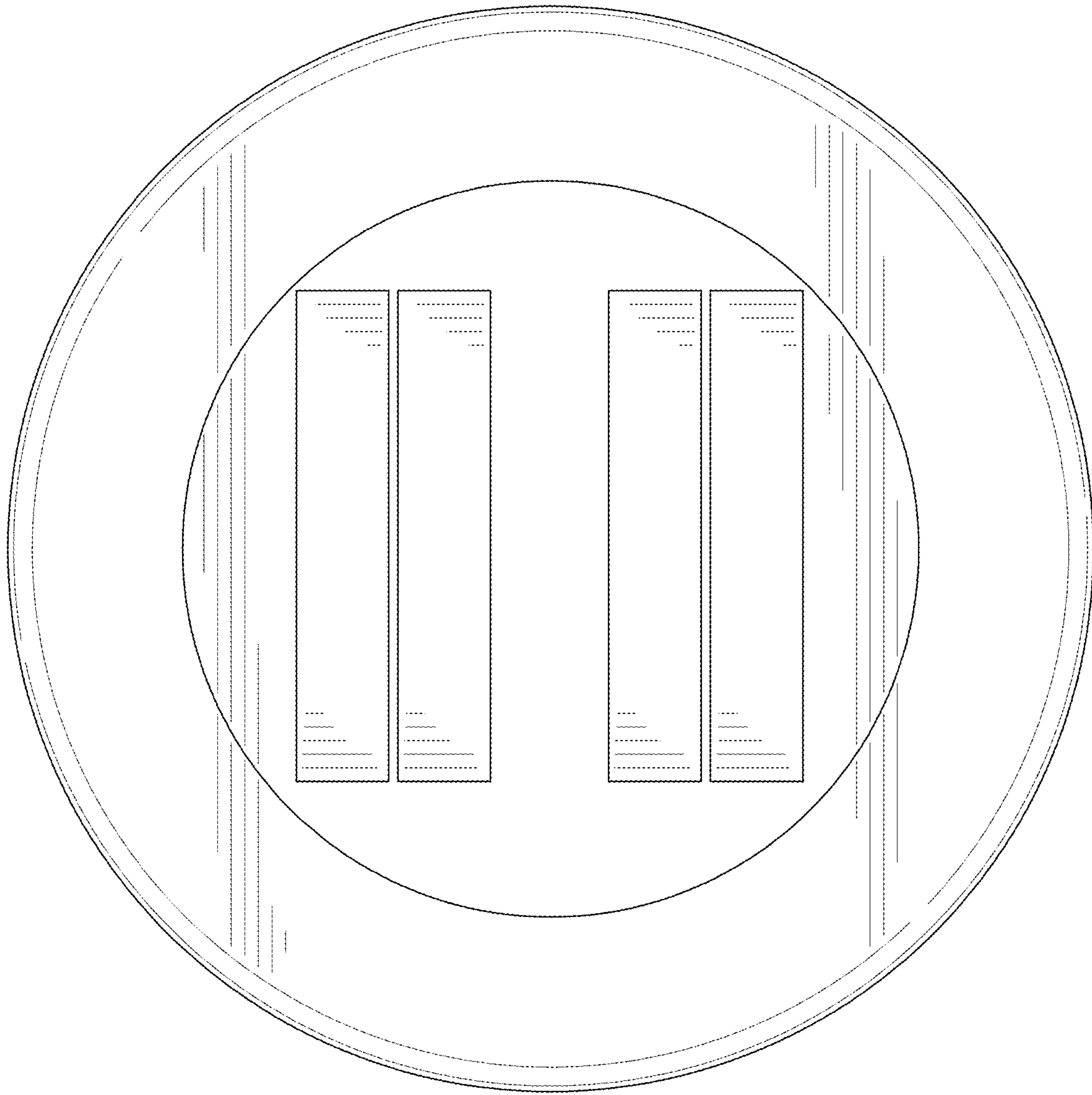


FIG. 3

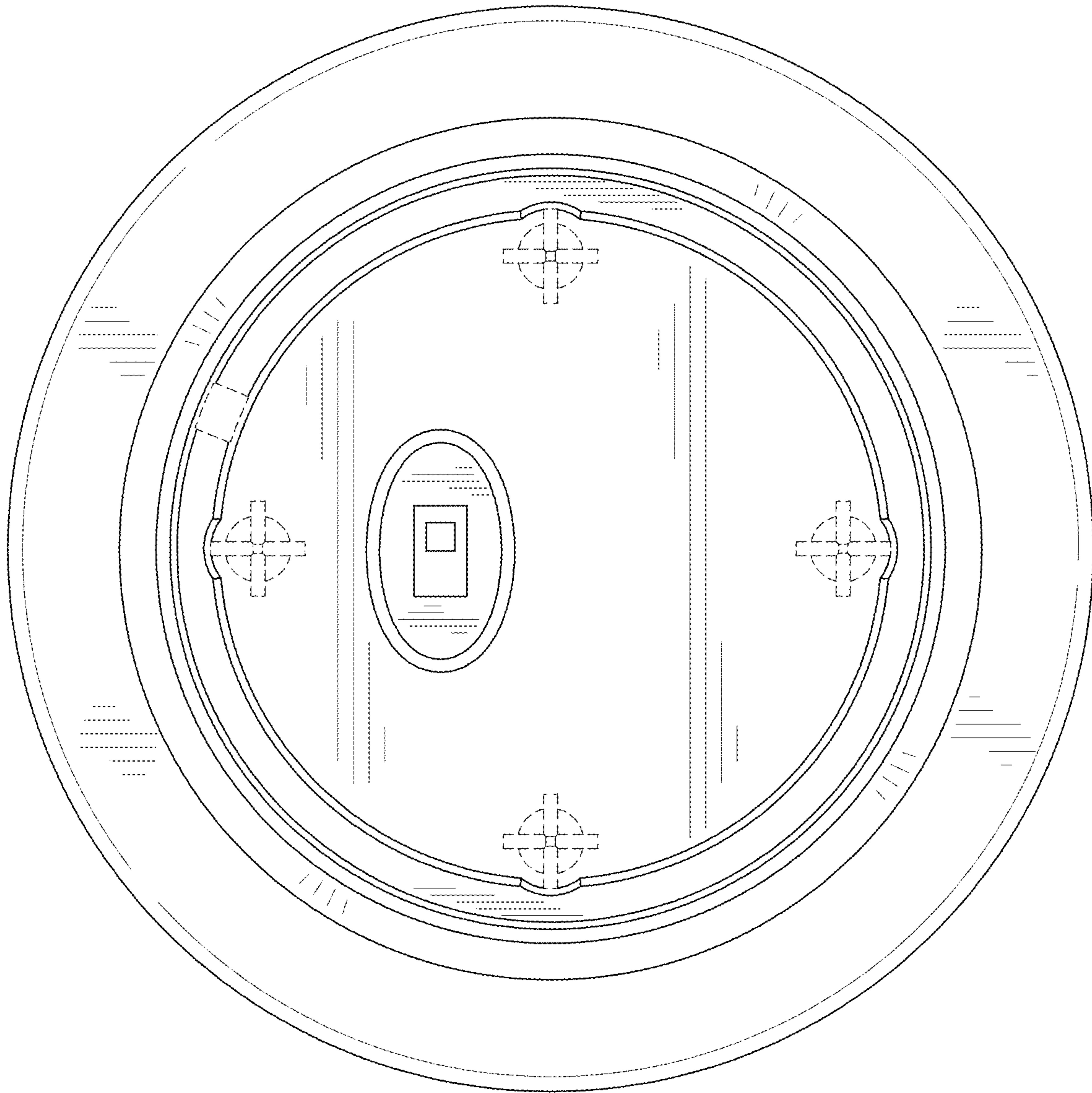


FIG. 4

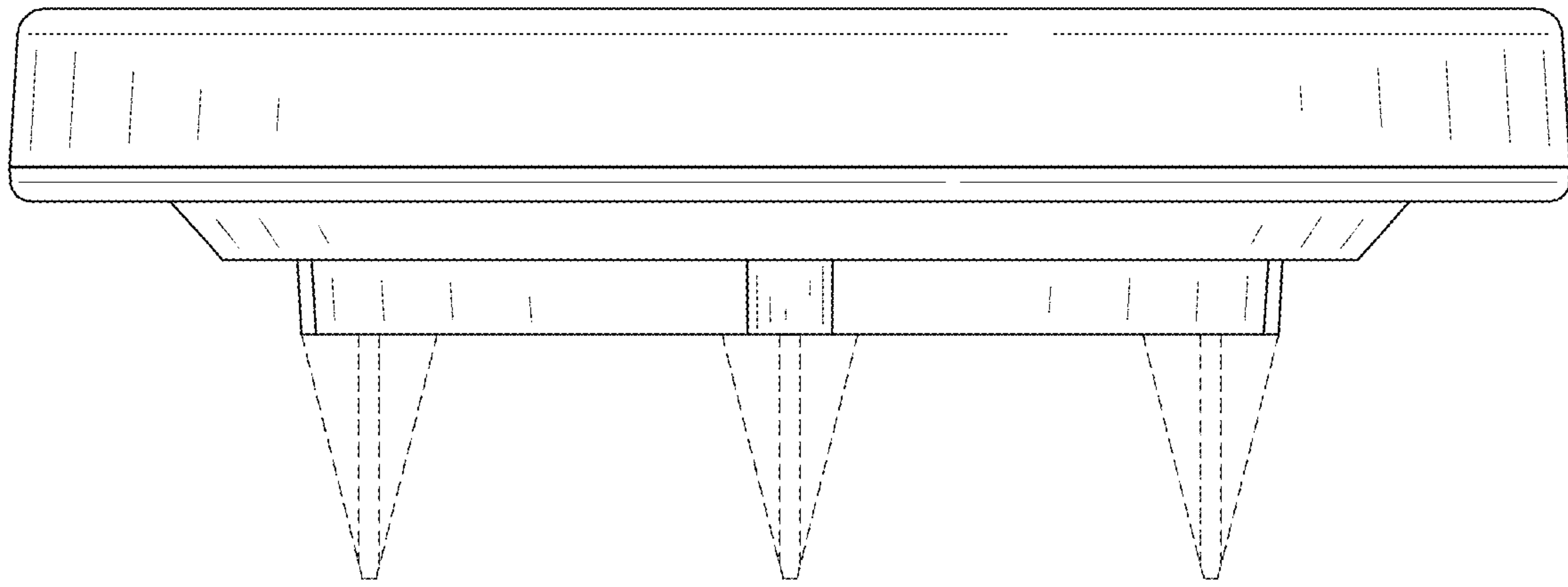


FIG. 5

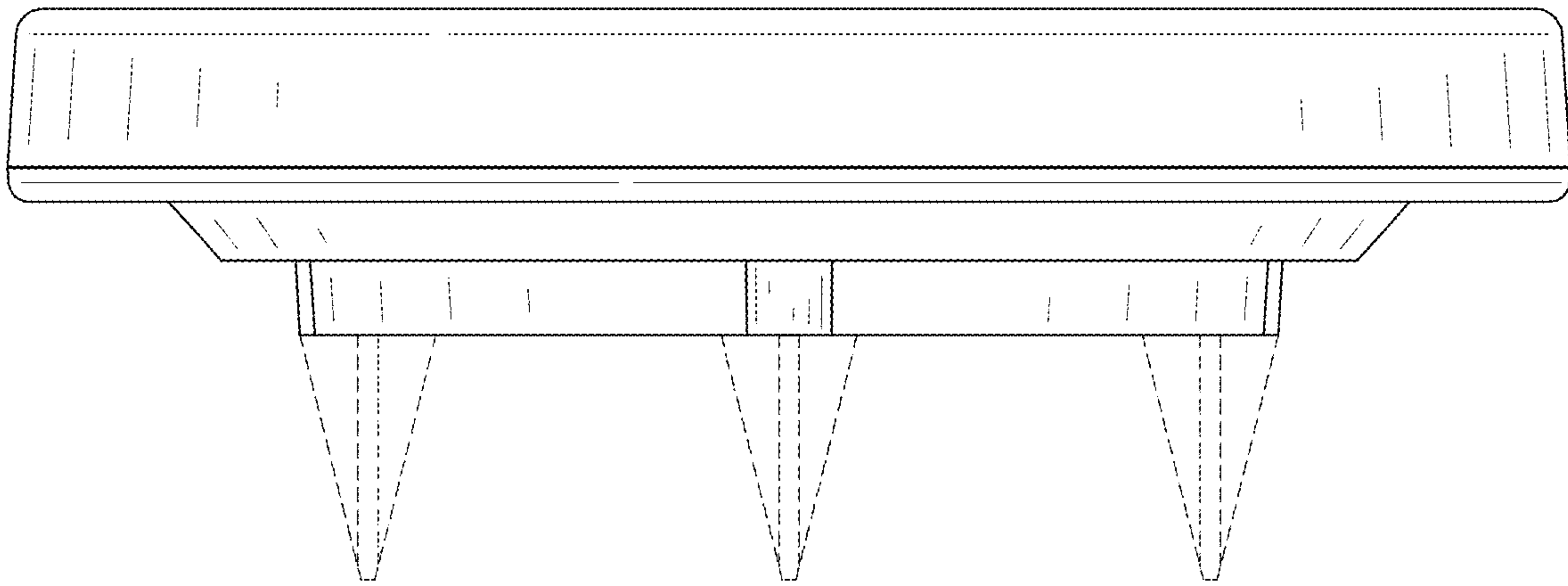


FIG. 6

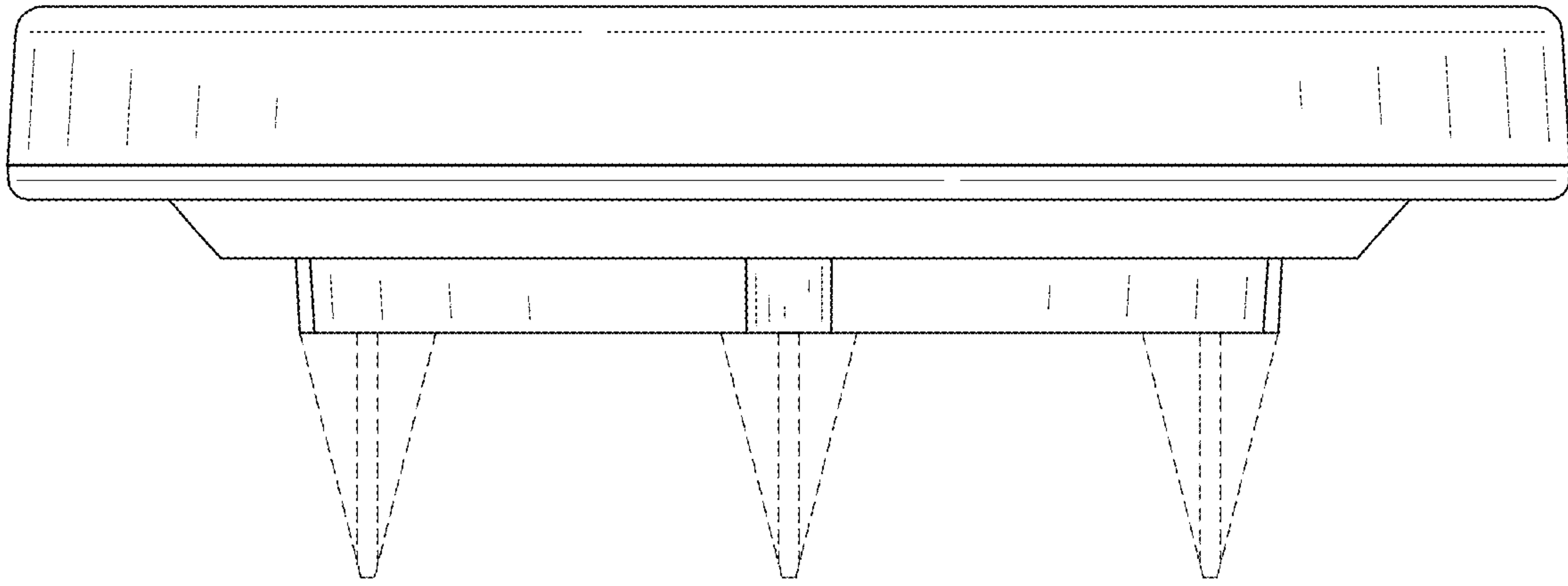


FIG. 7

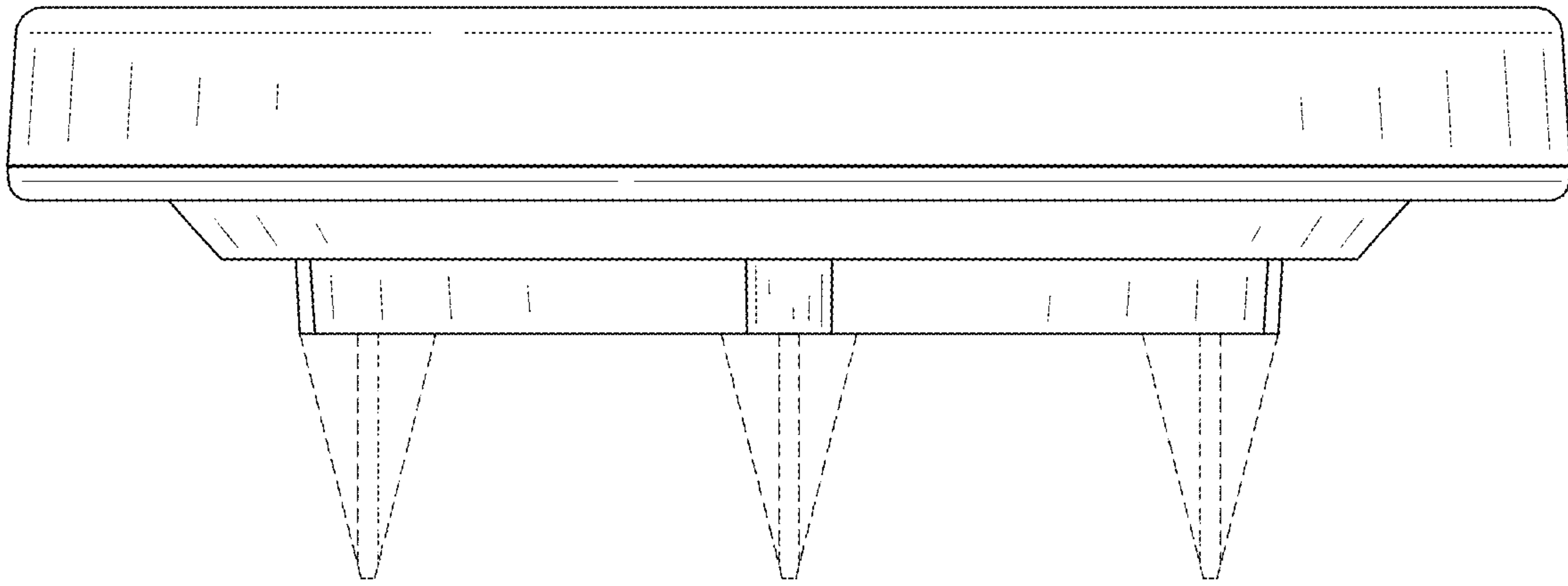


FIG. 8