



US00D882142S

(12) **United States Design Patent**
Huang

(10) **Patent No.:** **US D882,142 S**

(45) **Date of Patent:** **** Apr. 21, 2020**

(54) **LASER LIGHT**

(71) Applicant: **Shenzhen Juerui Industrial Co., Ltd.**,
Shenzhen (CN)

(72) Inventor: **Rong Huang**, Shenzhen (CN)

(**) Term: **15 Years**

(21) Appl. No.: **29/720,806**

(22) Filed: **Jan. 16, 2020**

(51) **LOC (12) Cl.** **26-03**

(52) **U.S. Cl.**
USPC **D26/63**

(58) **Field of Classification Search**
USPC D26/24, 60-65, 93
CPC F21S 8/00; F21S 8/02; F21S 8/003; F21S
8/026; F21S 8/03; F21S 8/038; F21S
8/04; F21S 8/043; F21S 6/00; F21V
5/046; F21V 5/04; F21V 1/00; F21V
5/00; F21V 21/02; F21V 15/01
See application file for complete search history.

(56) **References Cited**

U.S. PATENT DOCUMENTS

D335,193 S	*	4/1993	Shaanan	D26/63
D562,486 S	*	2/2008	Luke	D26/61
D648,056 S	*	11/2011	Muehlhaeusler	D26/63
D705,981 S	*	5/2014	Cegnar	D26/63

D715,474 S	*	10/2014	Janos	D26/63
D764,694 S		8/2016	Tsai		
D777,965 S		1/2017	Mirchandani		
D779,098 S		2/2017	Tsai		
D812,280 S	*	3/2018	Lechtenberg	D26/63
D849,981 S		5/2019	Hwa et al.		
D851,312 S		6/2019	Hwa et al.		
D855,231 S	*	7/2019	Huang	D26/63
D857,270 S	*	8/2019	Recker	D26/63

* cited by examiner

Primary Examiner — Brian N. Vinson

(74) *Attorney, Agent, or Firm* — KA Filing LLC; Wayne V. Harper

(57) **CLAIM**

I claim the ornamental design for a laser light, as shown and described.

DESCRIPTION

FIG. 1 is a perspective view of a laser light showing my new design;

FIG. 2 is a front view thereof;

FIG. 3 is a back view thereof;

FIG. 4 is a right-side view thereof;

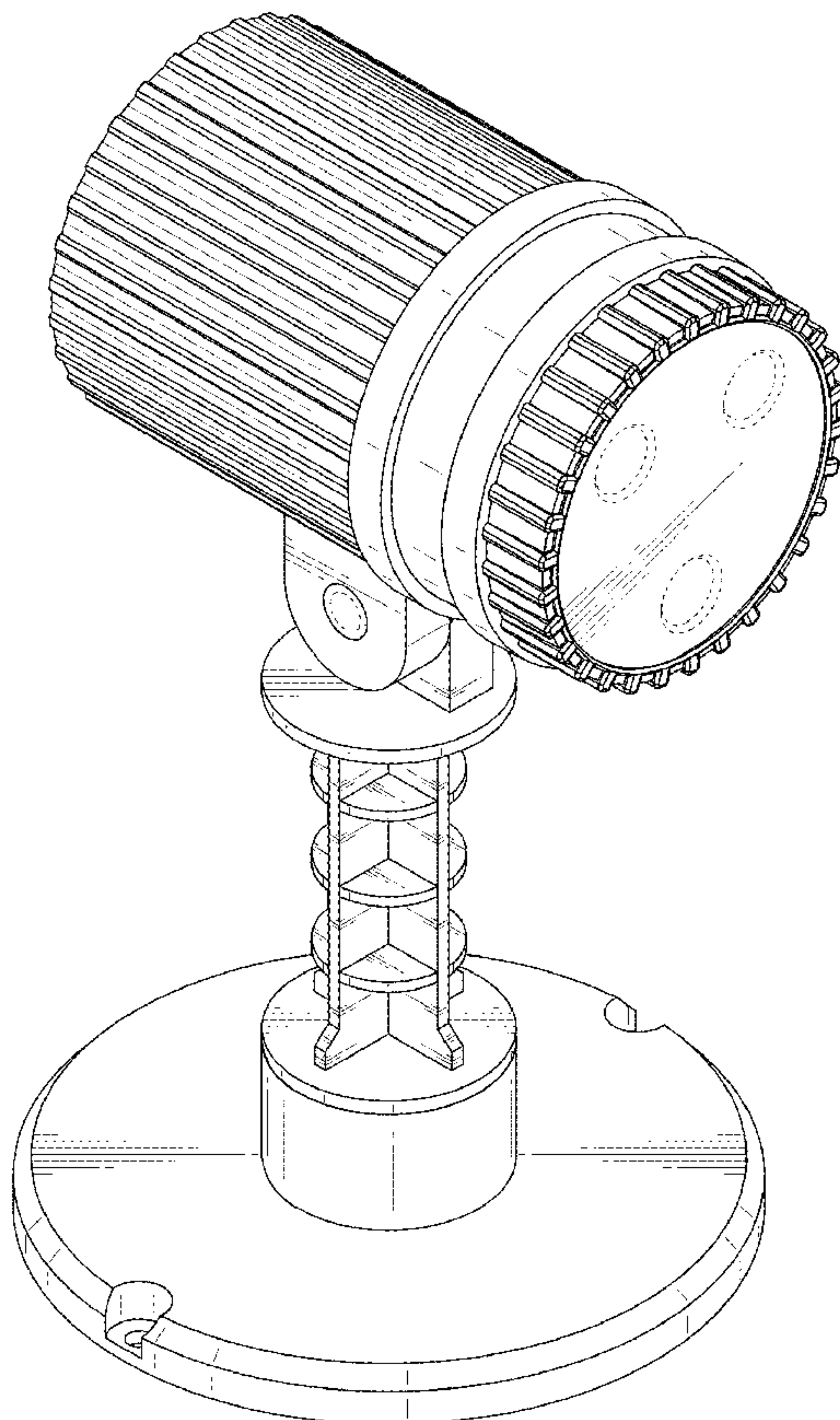
FIG. 5 is a left-side view thereof;

FIG. 6 is a top view thereof; and,

FIG. 7 is a bottom view thereof.

The broken line disclosure represents portions of the light which form no part of the claimed design.

1 Claim, 7 Drawing Sheets



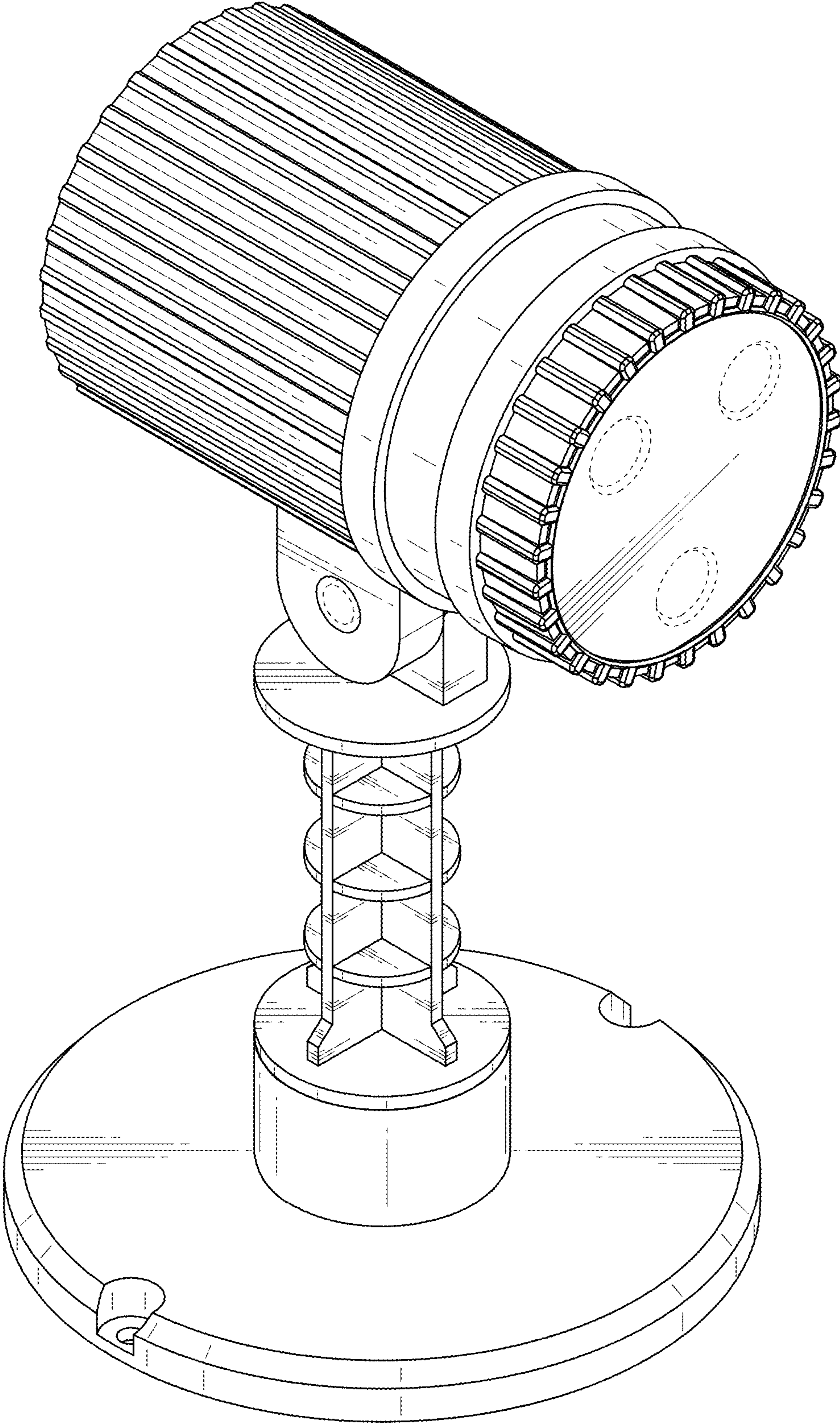


FIG. 1

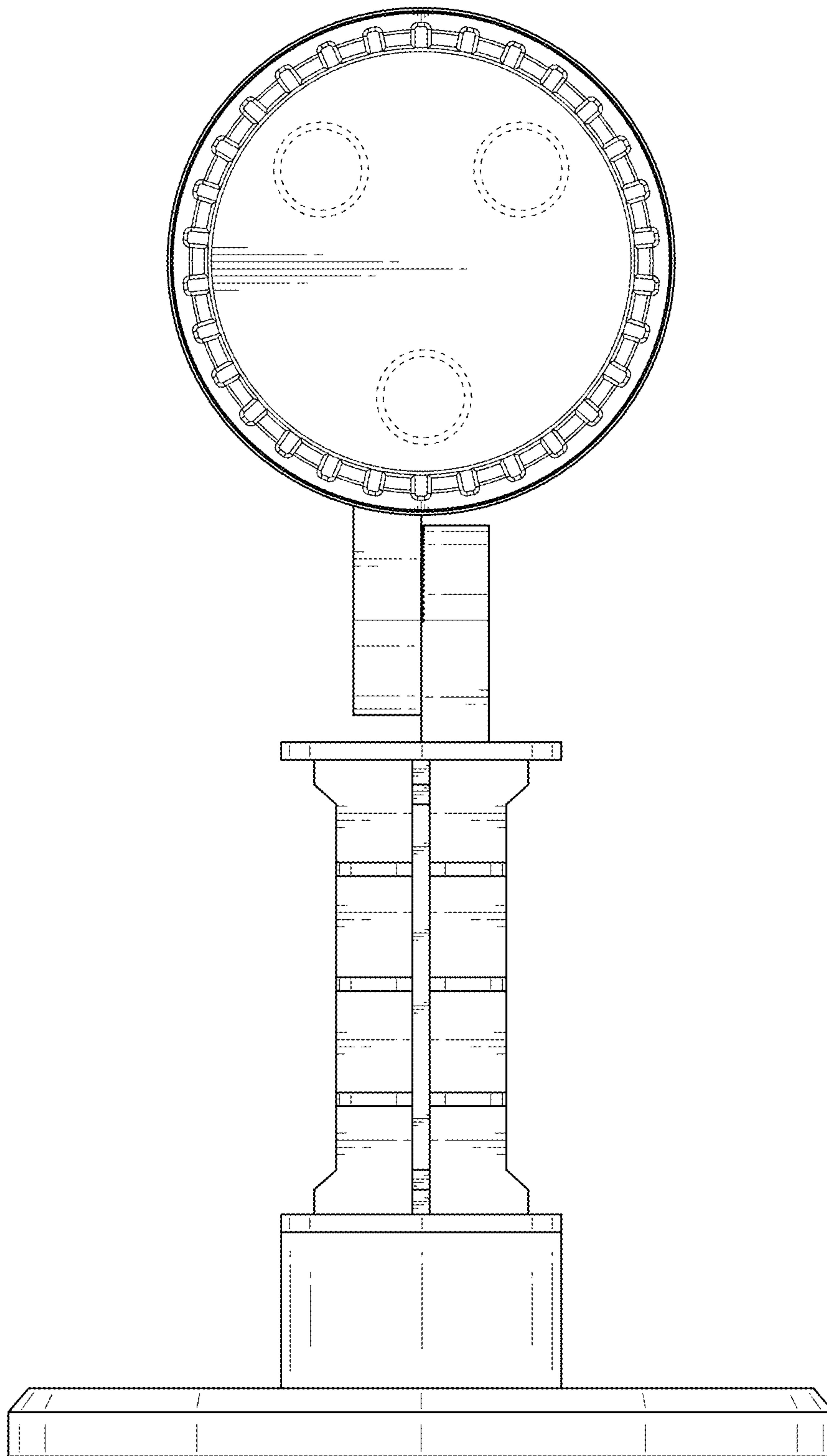


FIG. 2

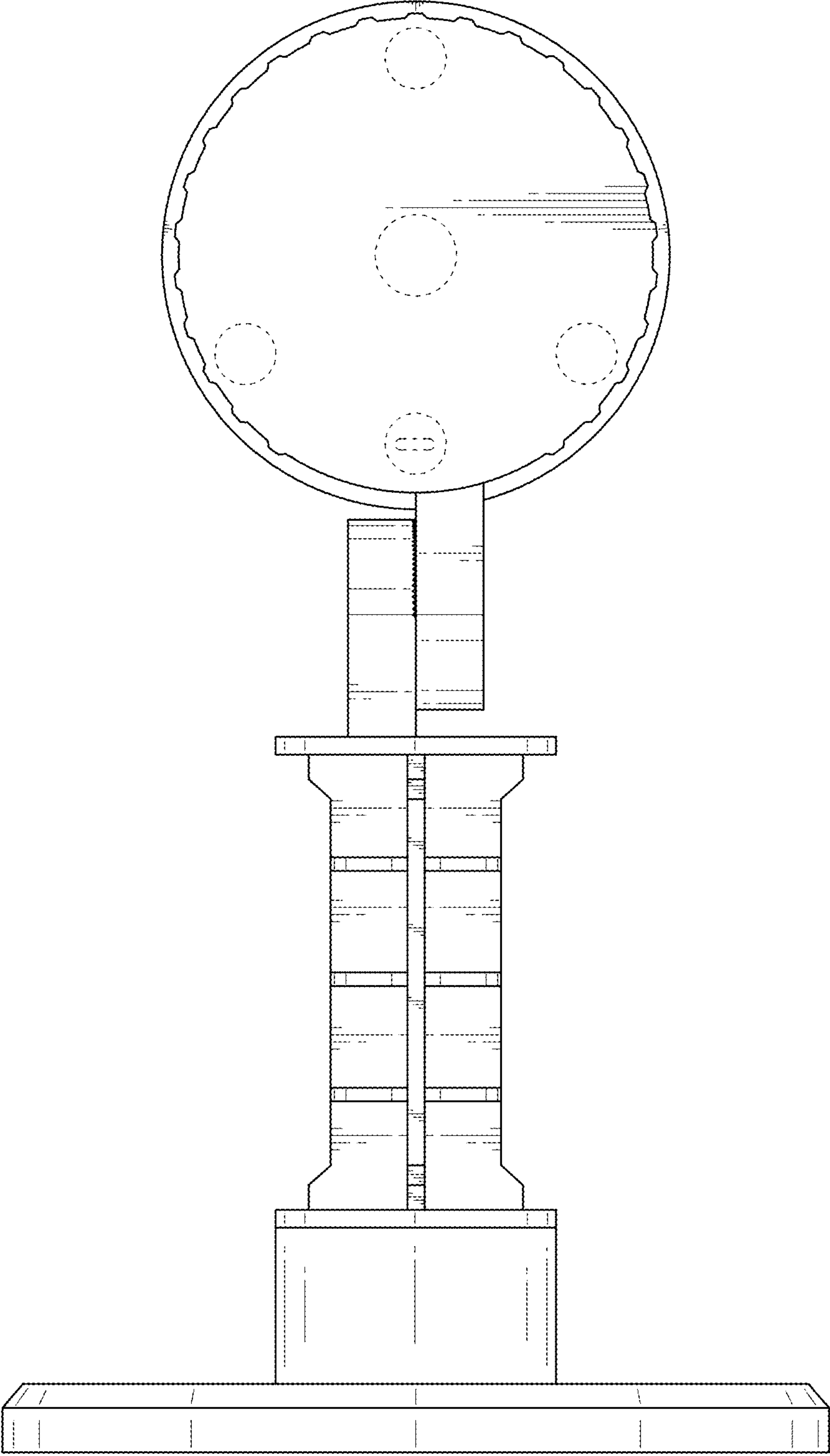


FIG. 3

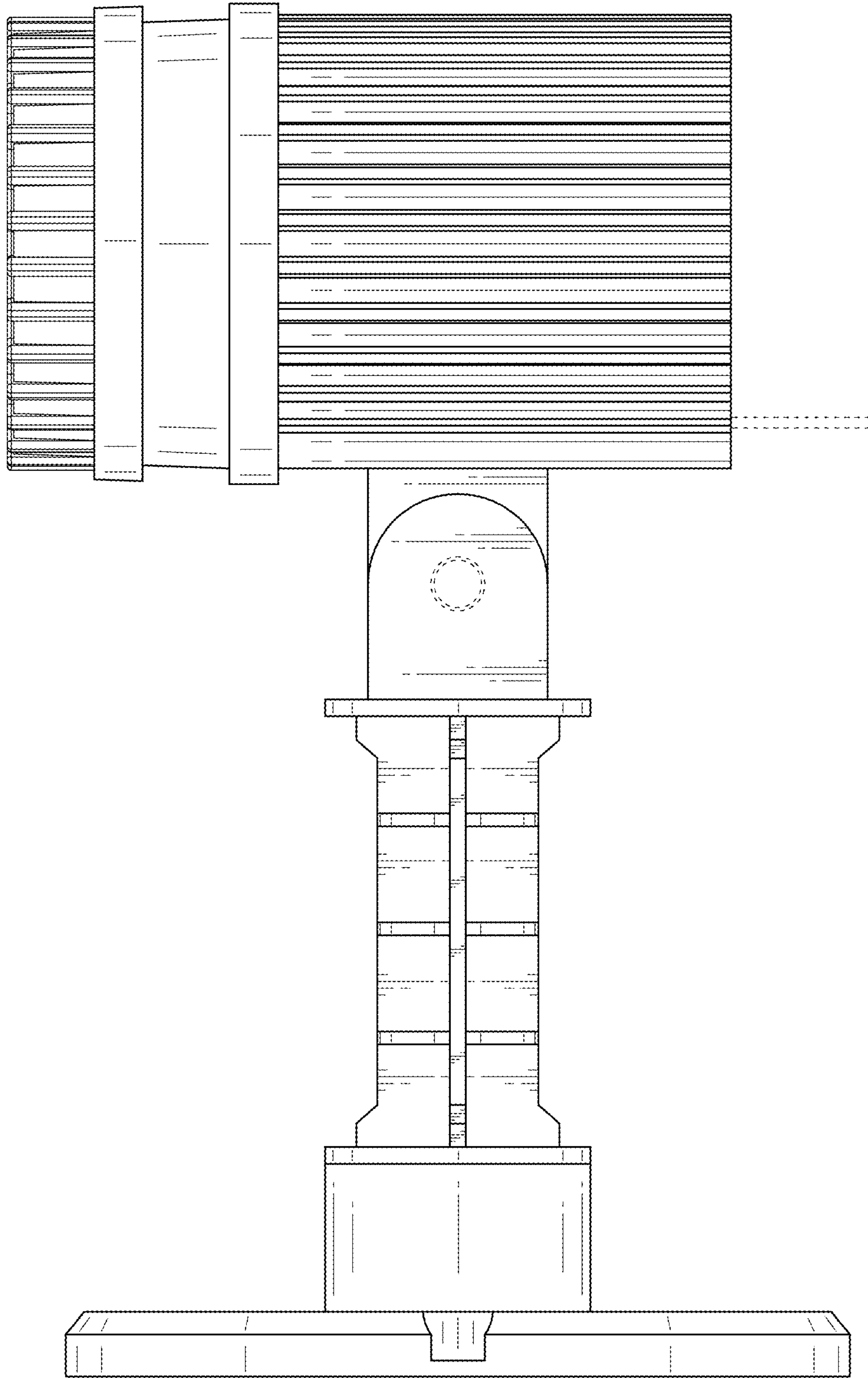


FIG. 4

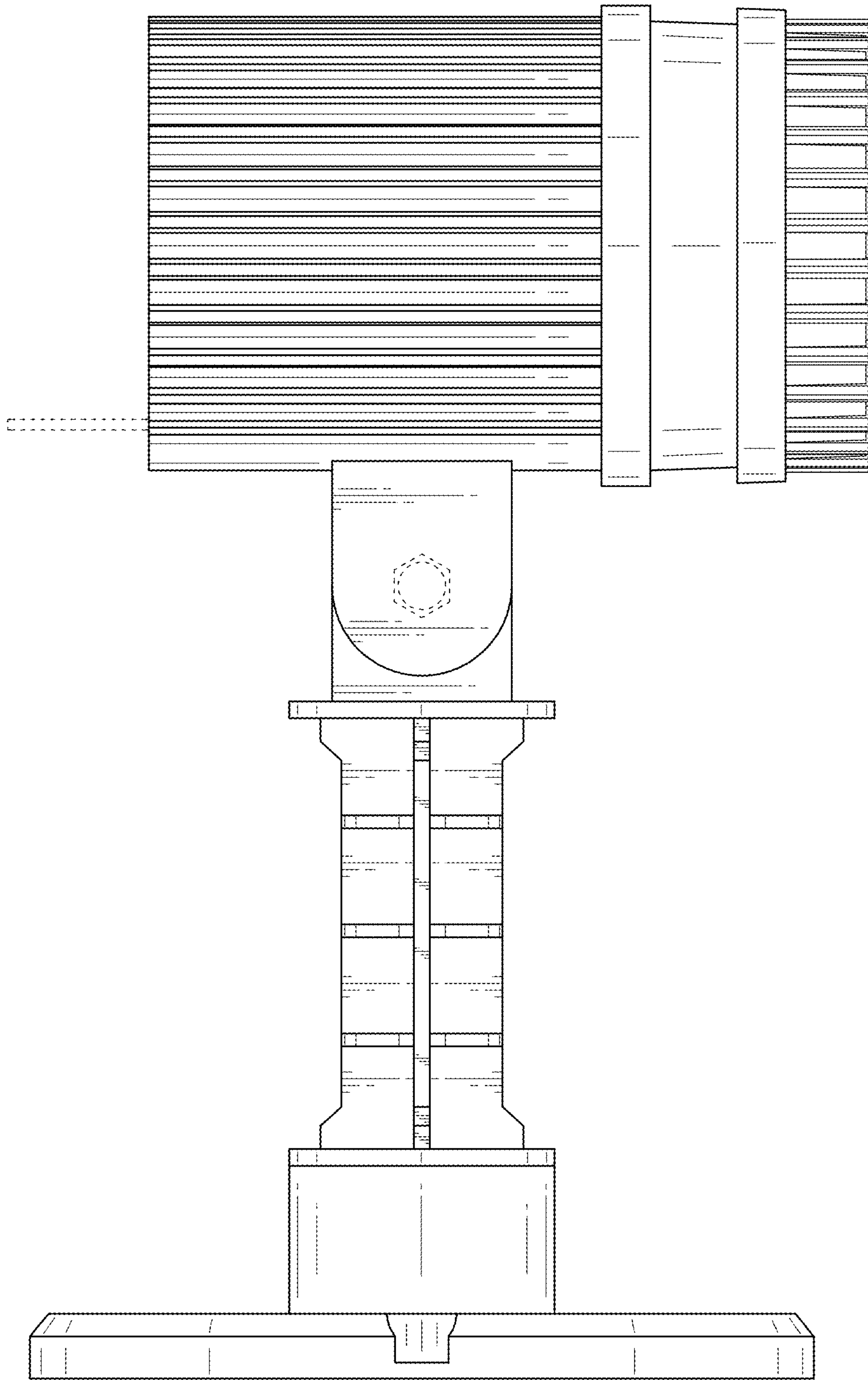


FIG. 5

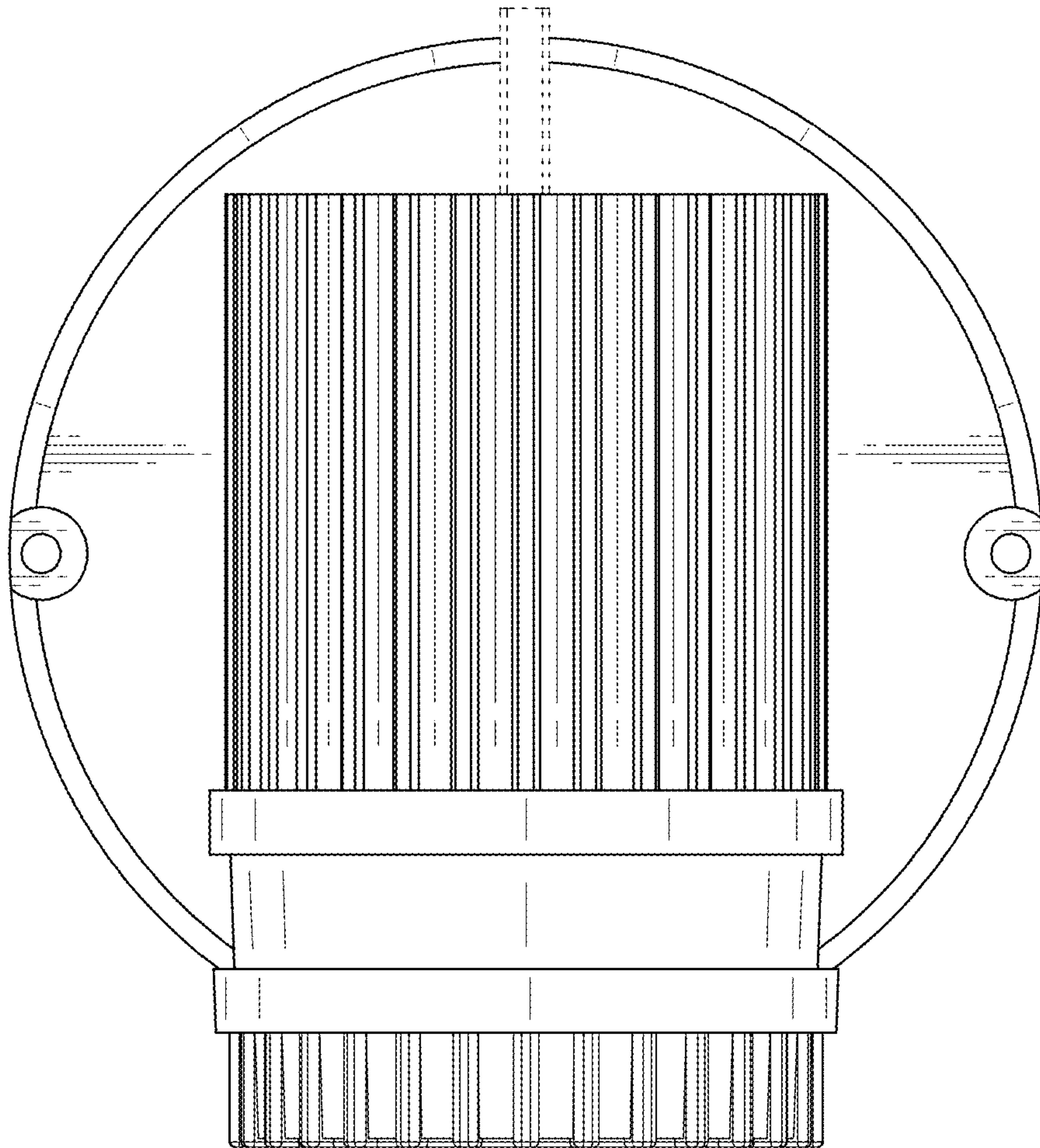


FIG. 6

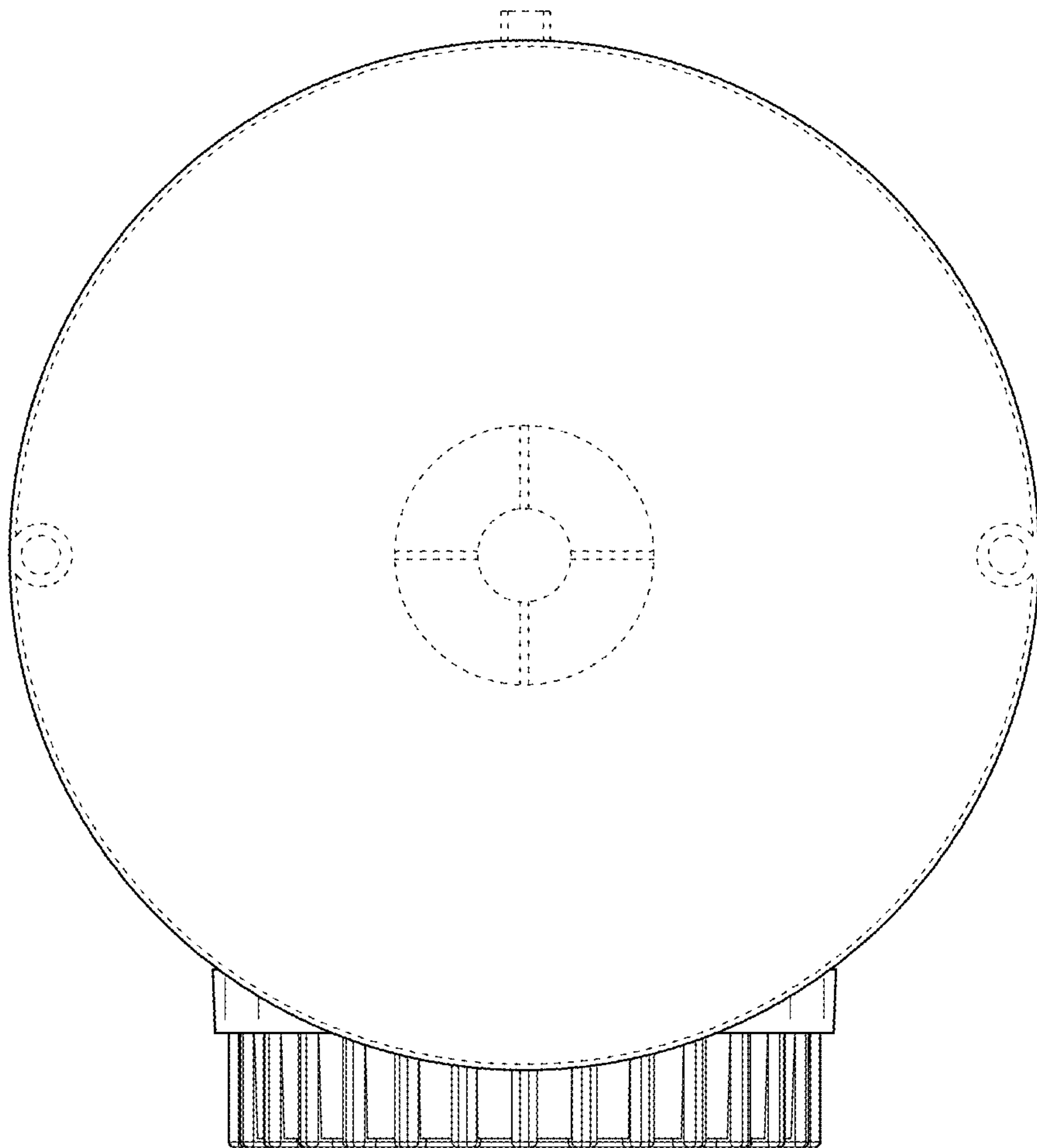


FIG. 7