



US00D882139S

(12) **United States Design Patent**
Benoit

(10) **Patent No.:** **US D882,139 S**

(45) **Date of Patent:** **** Apr. 21, 2020**

(54) **LIGHT FOR ATTACHMENT TO A BICYCLE**

(56) **References Cited**

(71) Applicant: **DECATHLON**, Villeneuve d'Ascq
(FR)

U.S. PATENT DOCUMENTS

(72) Inventor: **Brice Benoit**, Lille (FR)

D568,516 S *	5/2008	Hillard	D26/60
D643,952 S *	8/2011	Carroll	D26/28
D697,244 S *	1/2014	McKechnie	D26/60
D733,949 S *	7/2015	Liao	D26/28
D857,261 S *	8/2019	Xie	D26/28

(73) Assignee: **DECATHLON**, Villeneuve d'Ascq
(FR)

* cited by examiner

(**) Term: **15 Years**

Primary Examiner — Brian N. Vinson

(21) Appl. No.: **29/634,105**

(74) *Attorney, Agent, or Firm* — Fross, Zelnick, Lehrman & Zissu, PC; Charles T. J. Weigell, Esq.

(22) Filed: **Jan. 18, 2018**

(57) **CLAIM**

(30) **Foreign Application Priority Data**

The ornamental design for a light for attachment to a bicycle, as shown and described.

Jul. 19, 2017 (EM) 004111029-0006

DESCRIPTION

(51) **LOC (12) Cl.** **26-03**

FIG. 1 is a front perspective view of a bike lamp showing my new design;

(52) **U.S. Cl.**

FIG. 2 is a front view thereof;

USPC **D26/60**; D26/28

FIG. 3 is a back view thereof;

(58) **Field of Classification Search**

USPC D26/1, 24, 28, 29, 37, 60, 61, 63, 113,
D26/119, 138

FIG. 4 is a left side view thereof;

CPC B62J 6/00; B62J 6/001; B62J 6/003; B62J

FIG. 5 is a right side view thereof;

6/02; B62J 6/04; B62J 6/16; B62J 17/02;

FIG. 6 is a top view thereof; and,

F21S 4/00; F21S 8/10; F21S 48/00; F21V

FIG. 7 is a bottom view thereof.

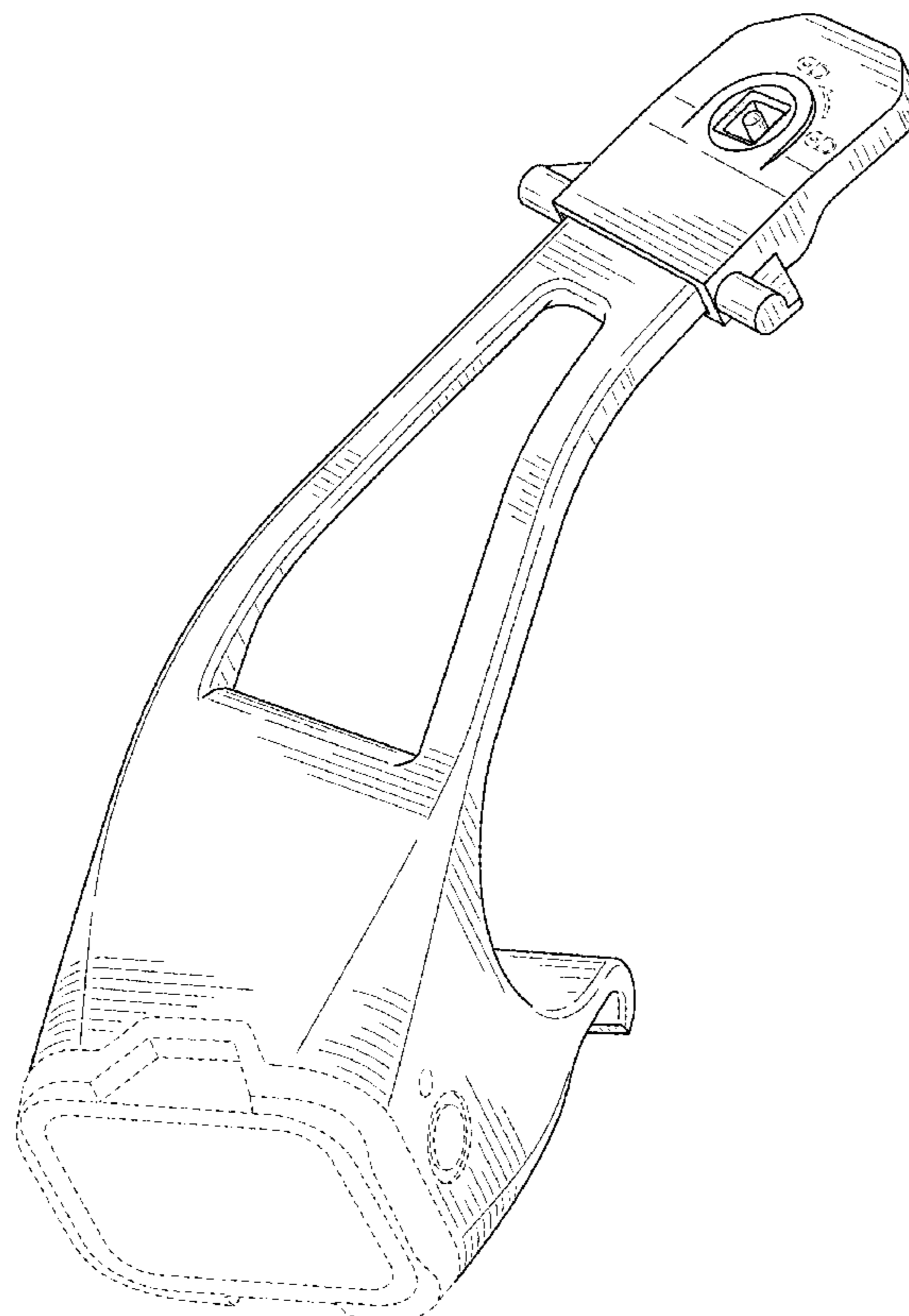
3/00; F21V 15/01; F21V 21/00; F21V

The broken line showing of the bezel, the button, locking guide, and USB ports in the drawings shows unclaimed subject matter.

21/084; F21V 23/00

See application file for complete search history.

1 Claim, 6 Drawing Sheets



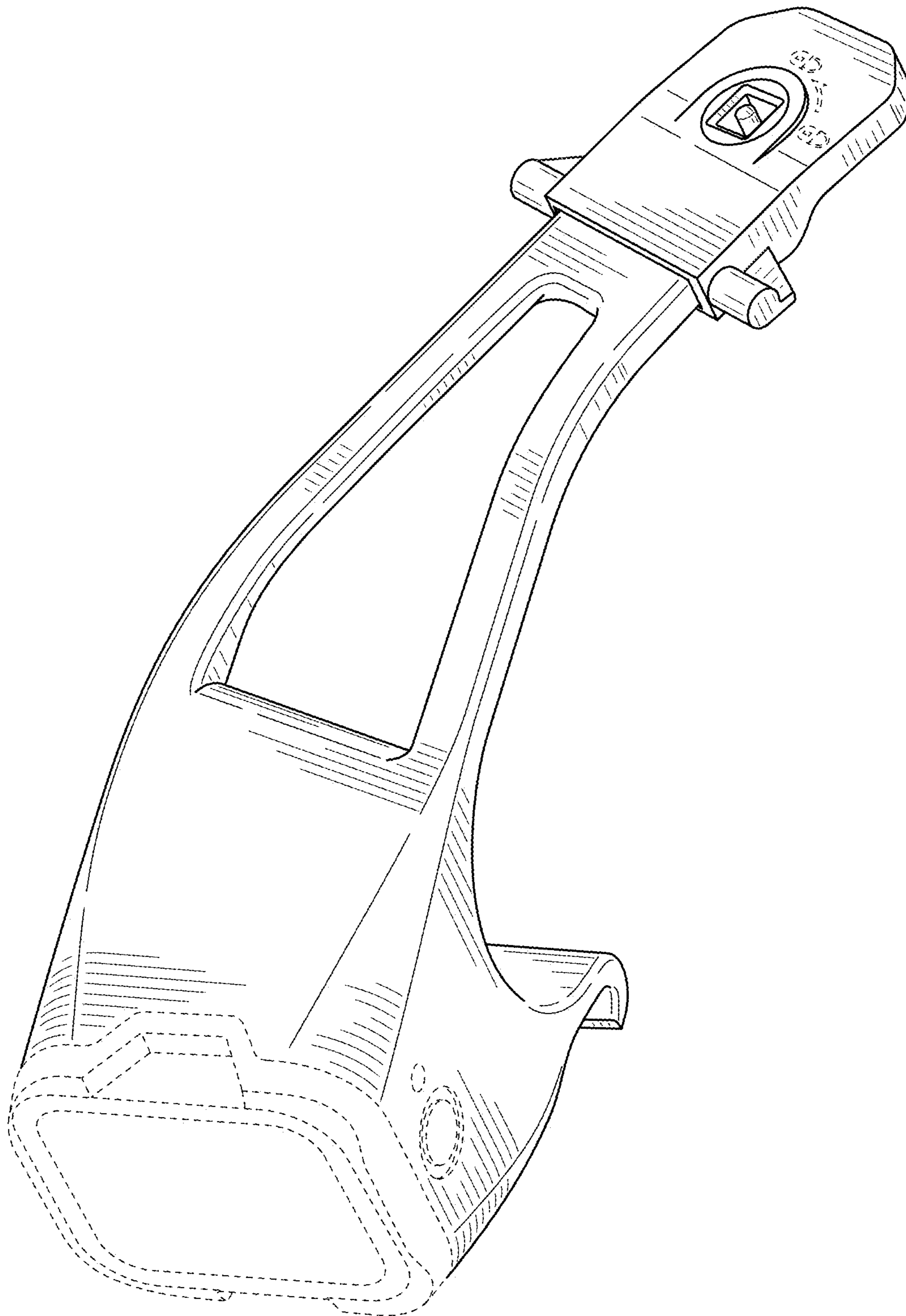


FIG. 1

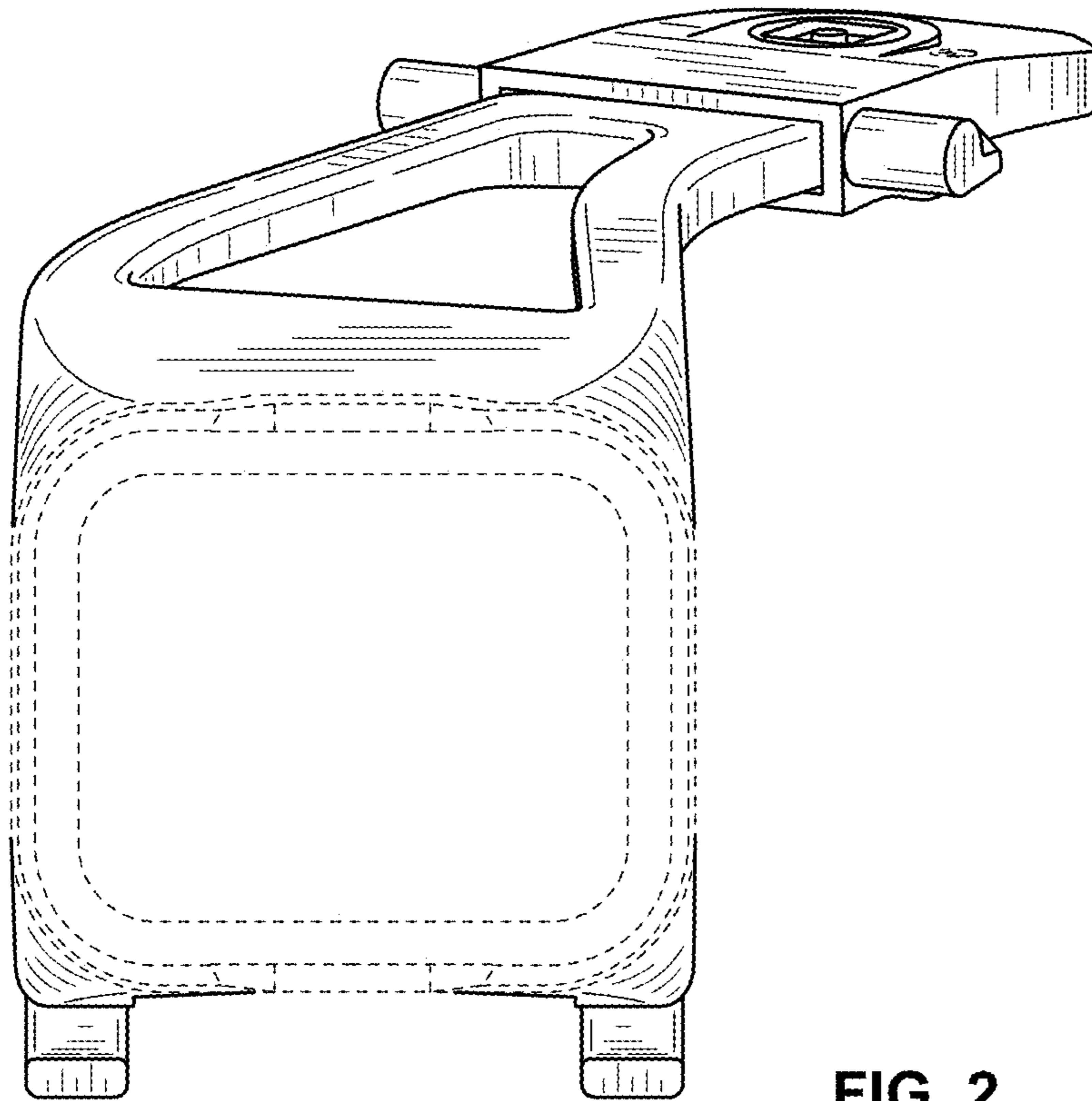


FIG. 2

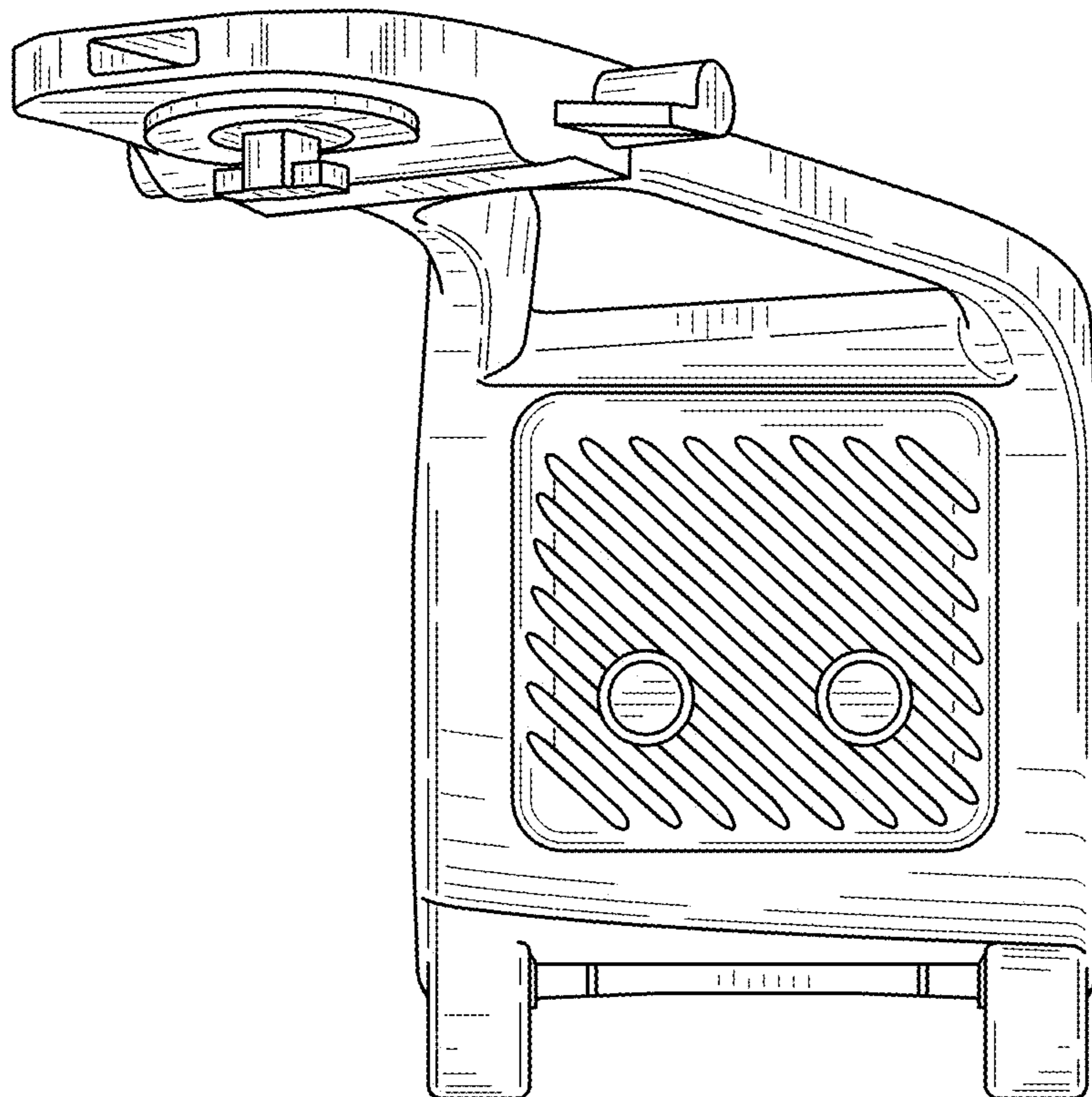


FIG. 3

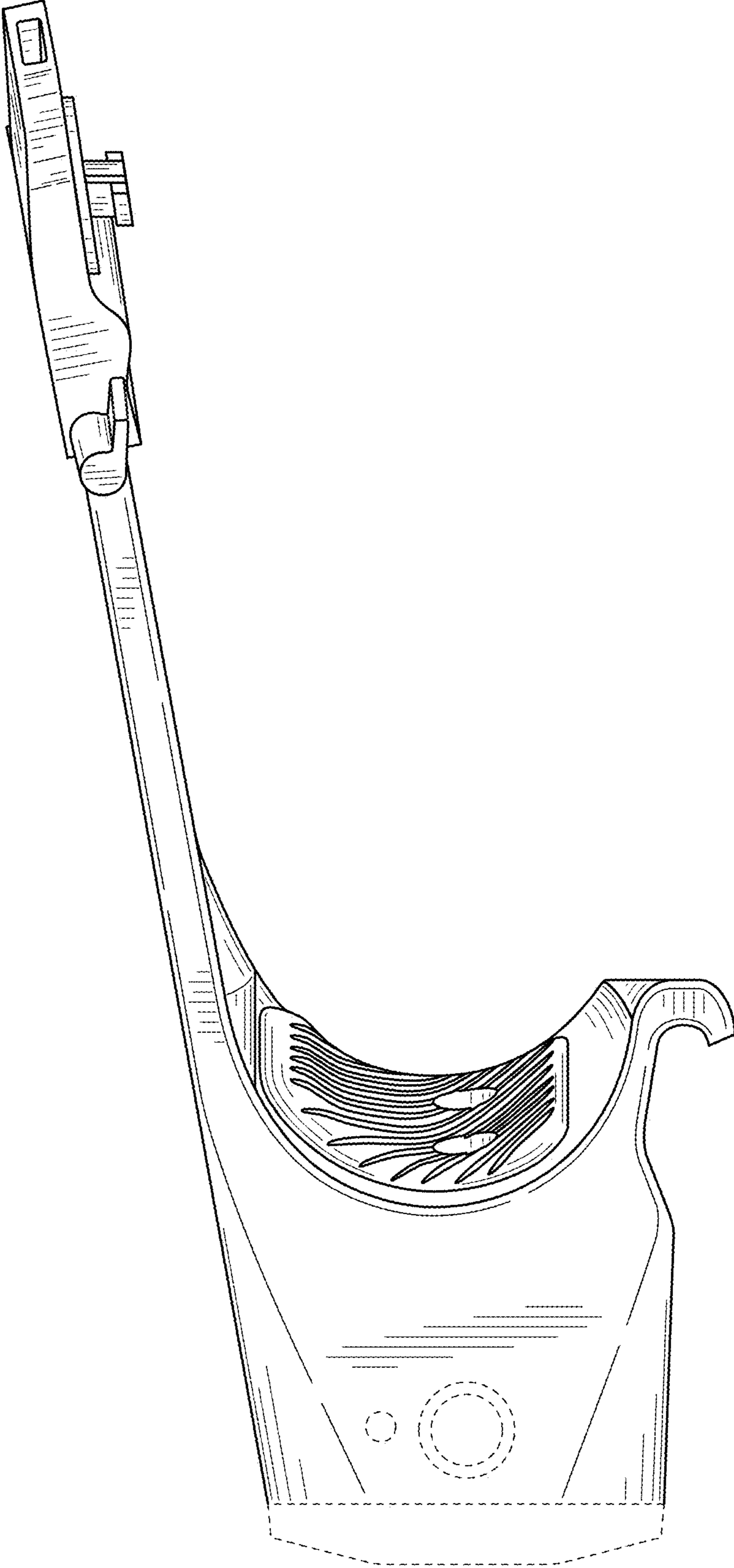


FIG. 4

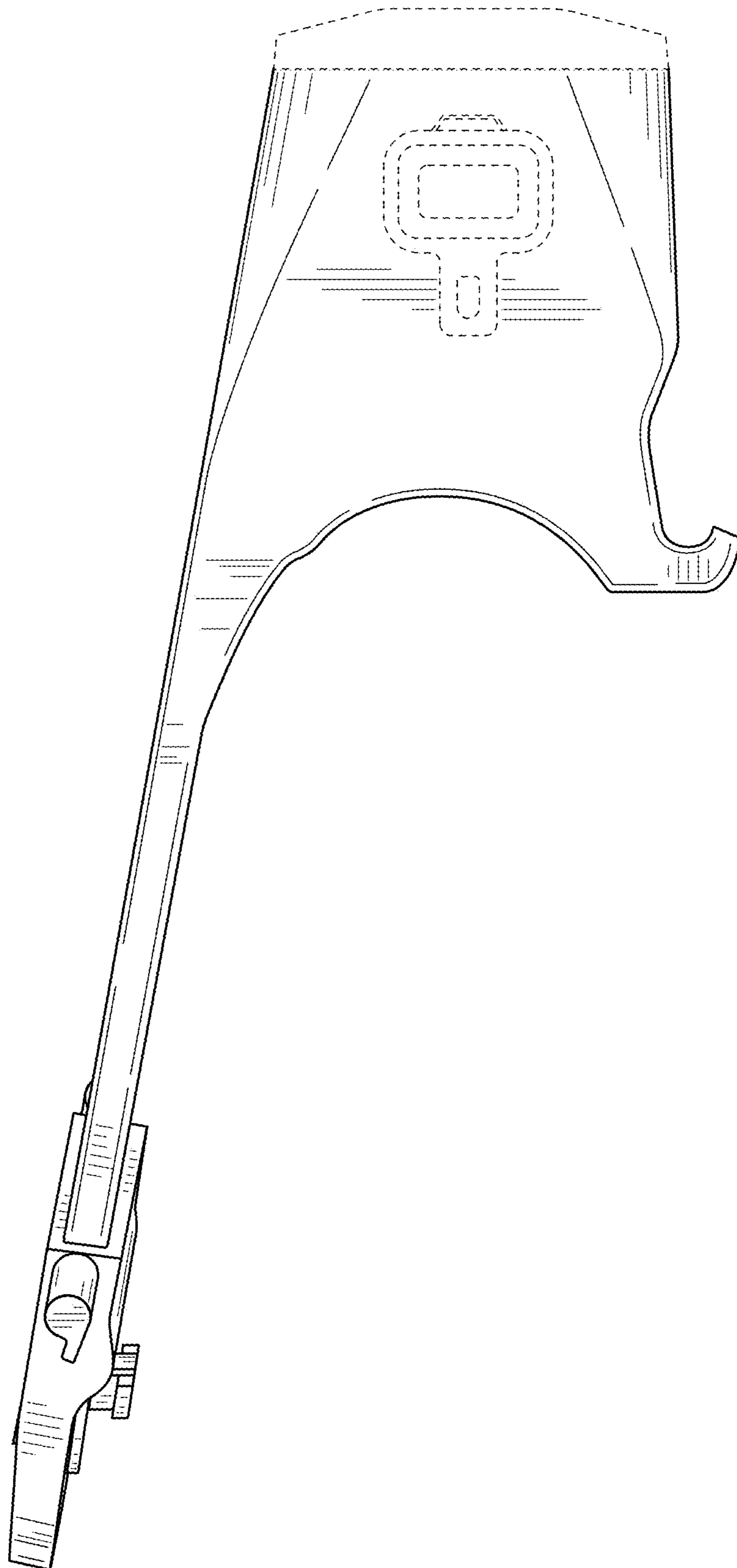


FIG 5

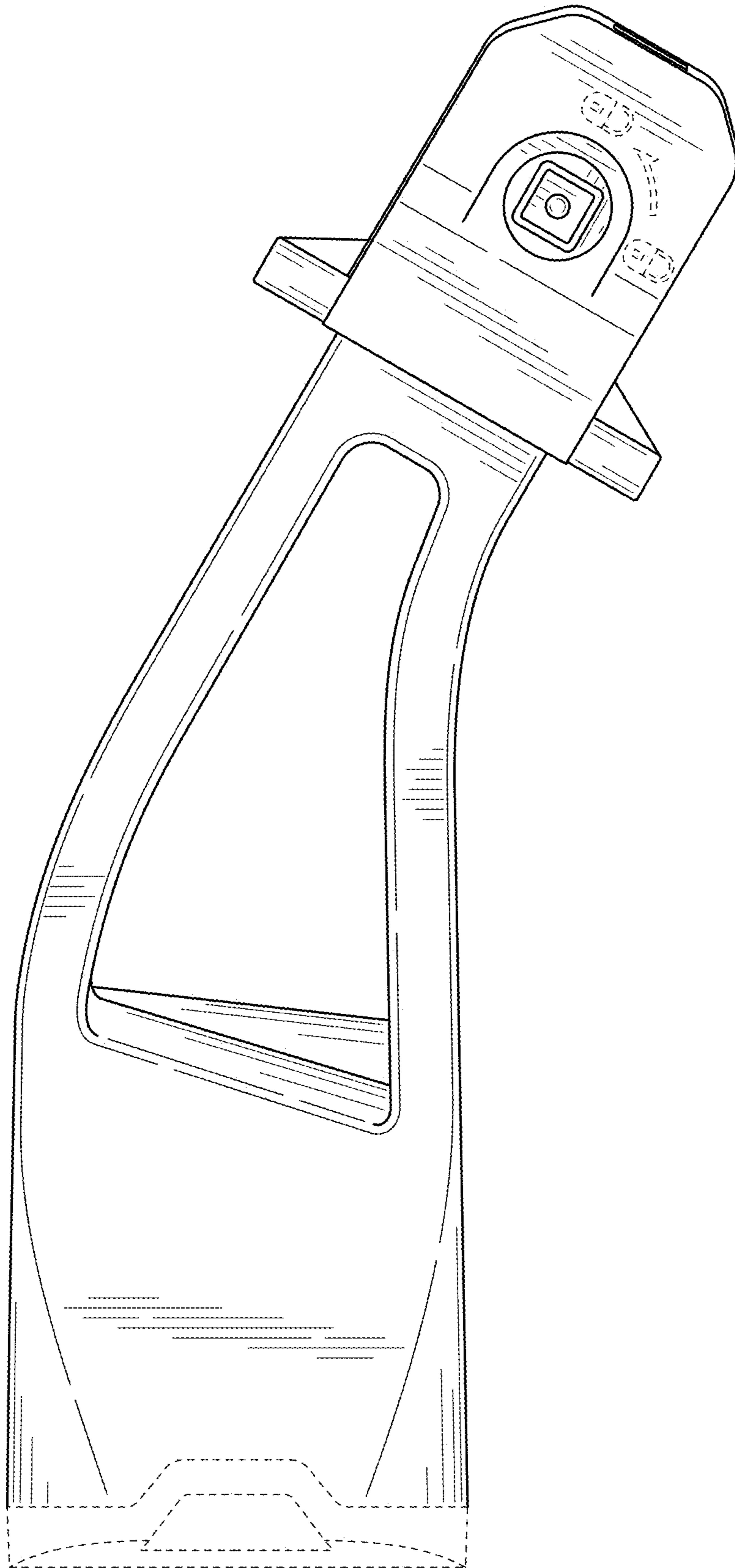


FIG. 6

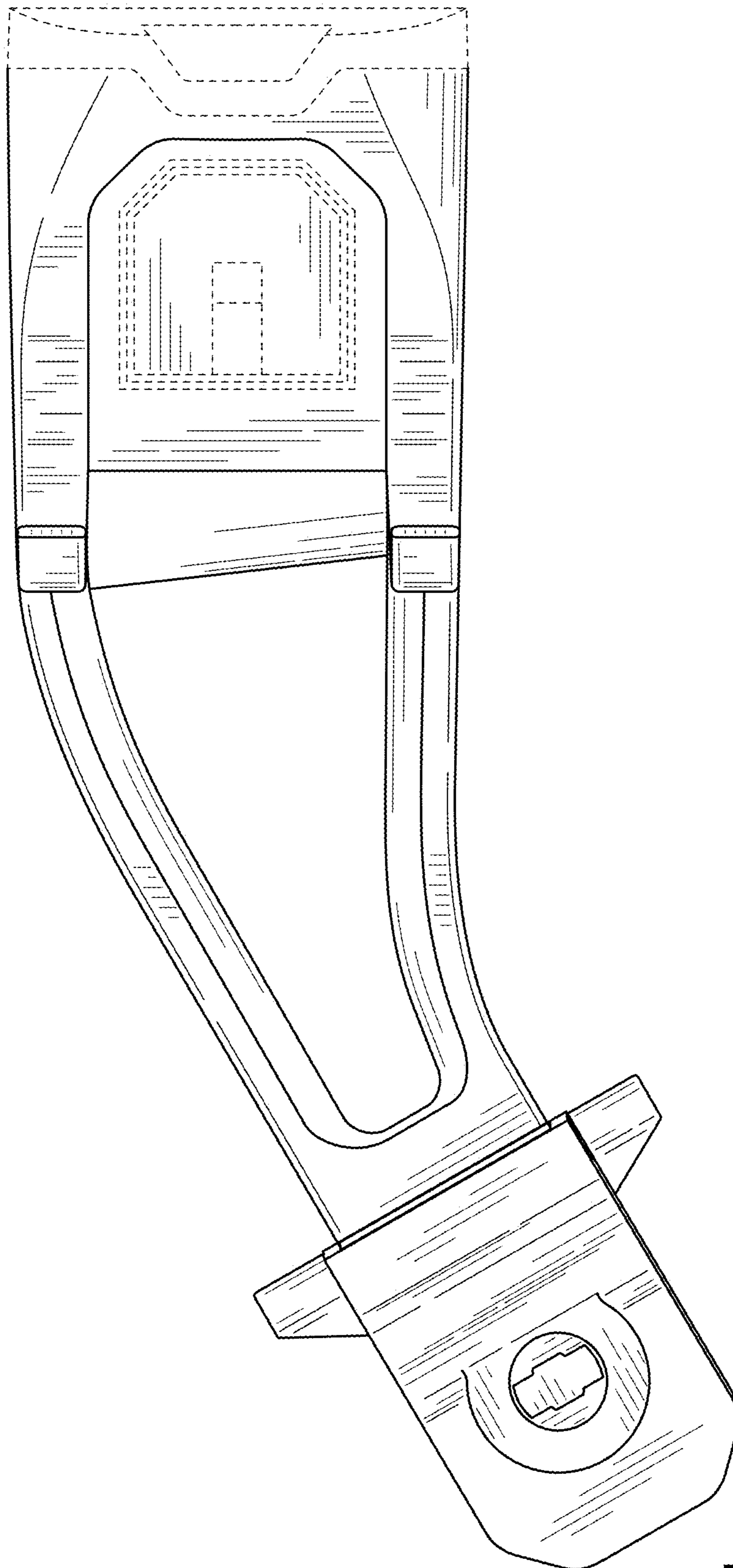


FIG. 7