



US00D882138S

(12) **United States Design Patent** (10) **Patent No.:** **US D882,138 S**
Bao (45) **Date of Patent:** **** Apr. 21, 2020**

(54) **LED TACTICAL FLASHLIGHT**
(71) Applicant: **Wenqing Bao**, Shandong (CN)
(72) Inventor: **Wenqing Bao**, Shandong (CN)
(**) Term: **15 Years**
(21) Appl. No.: **29/622,836**
(22) Filed: **Oct. 20, 2017**
(51) **LOC (12) Cl.** **26-02**
(52) **U.S. Cl.**
USPC **D26/49**
(58) **Field of Classification Search**
USPC D26/37-51
CPC F21L 2003/00; F21L 4/00; F21L 4/005;
F21L 4/02; F21L 4/025; F21L 4/027;
F21L 4/04; F21L 4/08; F21L 2005/00;
F21L 7/00; F21L 11/00; F21L 13/00;
F21L 13/04; F21L 13/08; F21L 14/02;
F21L 17/00; F21L 19/00; F21L 25/00
See application file for complete search history.

(56) **References Cited**
U.S. PATENT DOCUMENTS
D532,138 S * 11/2006 Wang D26/49
D541,454 S * 4/2007 Galey D26/49
D577,845 S * 9/2008 Shiu D26/49
D585,577 S * 1/2009 Bonis D26/49
D596,328 S * 7/2009 Shiu D26/49
D599,928 S * 9/2009 Shiu D26/49
D621,538 S * 8/2010 Bushee D26/49
D698,961 S * 2/2014 Dalton D26/49
D699,381 S * 2/2014 Stewart D26/49
D703,358 S * 4/2014 Shiu D26/49
D709,231 S * 7/2014 Nguyen D26/49

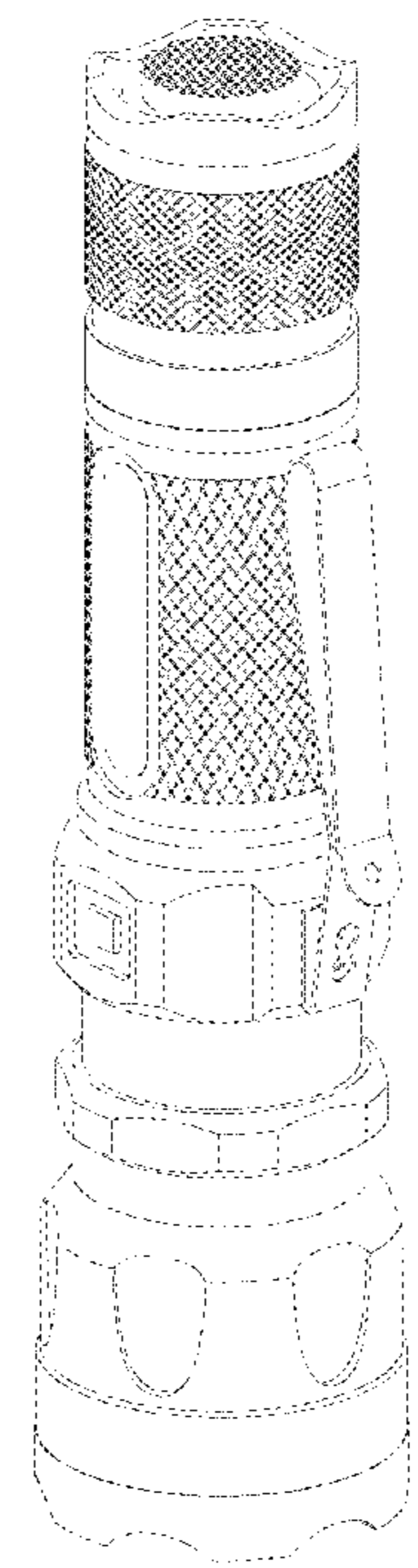
D709,234 S * 7/2014 Inskeep D26/49
D732,721 S * 6/2015 Popper D26/49
D745,200 S * 12/2015 Inskeep D26/49
D747,024 S * 1/2016 Windom D26/49
D749,766 S * 2/2016 Nguyen D26/49
D767,805 S * 9/2016 Son D26/49
D783,193 S * 4/2017 Kao D26/49
D804,696 S * 12/2017 Cheng D26/49
D810,337 S * 2/2018 Eichelberger D26/49
D811,637 S * 2/2018 Feustel D26/49
D814,088 S * 3/2018 Cao D26/49
D816,251 S * 4/2018 Johnson D26/49
D828,940 S * 9/2018 Qiu D26/49

* cited by examiner
Primary Examiner — Lakiya G Rogers
Assistant Examiner — Carissa C Fitts
(74) *Attorney, Agent, or Firm* — Justin Lampel

(57) **CLAIM**
The ornamental design for a LED tactical flashlight, as shown and described.

DESCRIPTION
FIG. 1 is a perspective view of a LED tactical flashlight showing my new design;
FIG. 2 is a front elevational view thereof;
FIG. 3 is a rear elevational view thereof;
FIG. 4 is a right side elevational view thereof;
FIG. 5 is a left side elevational view thereof;
FIG. 6 is an enlarged bottom plan view thereof; and
FIG. 7 is an enlarged top plan view thereof; and,
FIG. 8 is a partial enlargement perspective view of a LED tactical flashlight.
The broken lines show portions of the article which form no part of the claimed design.

1 Claim, 8 Drawing Sheets



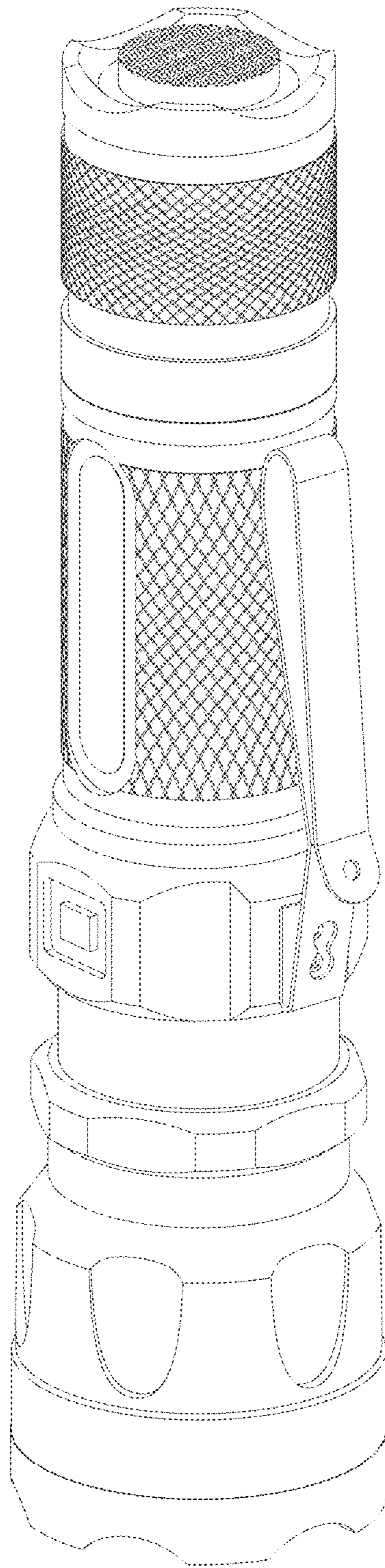


FIG. 1

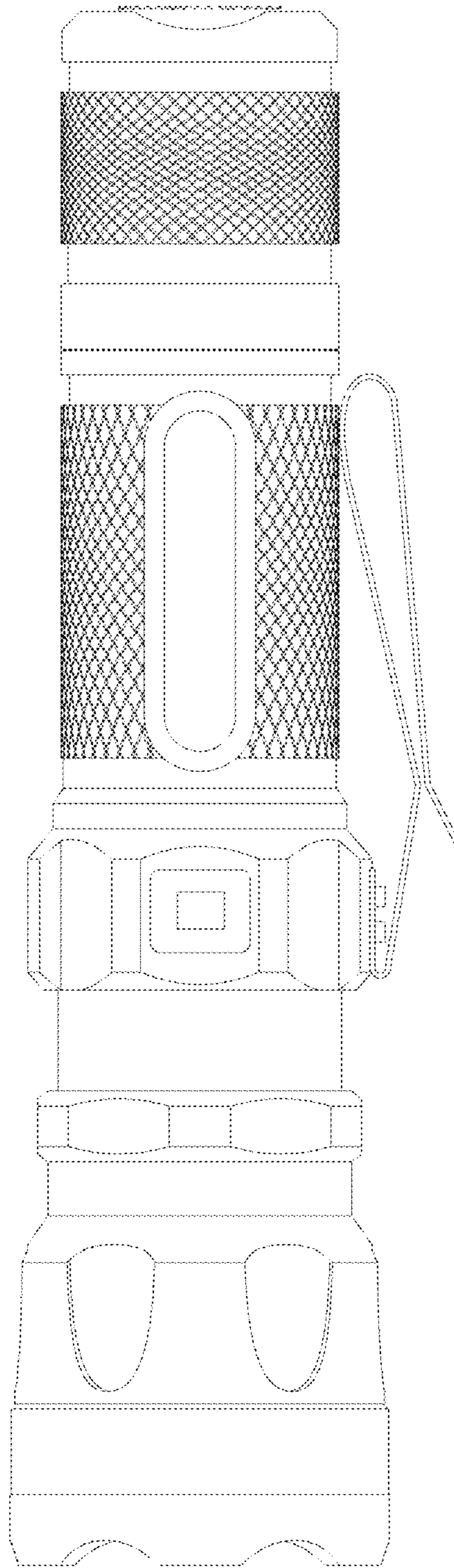


FIG.2

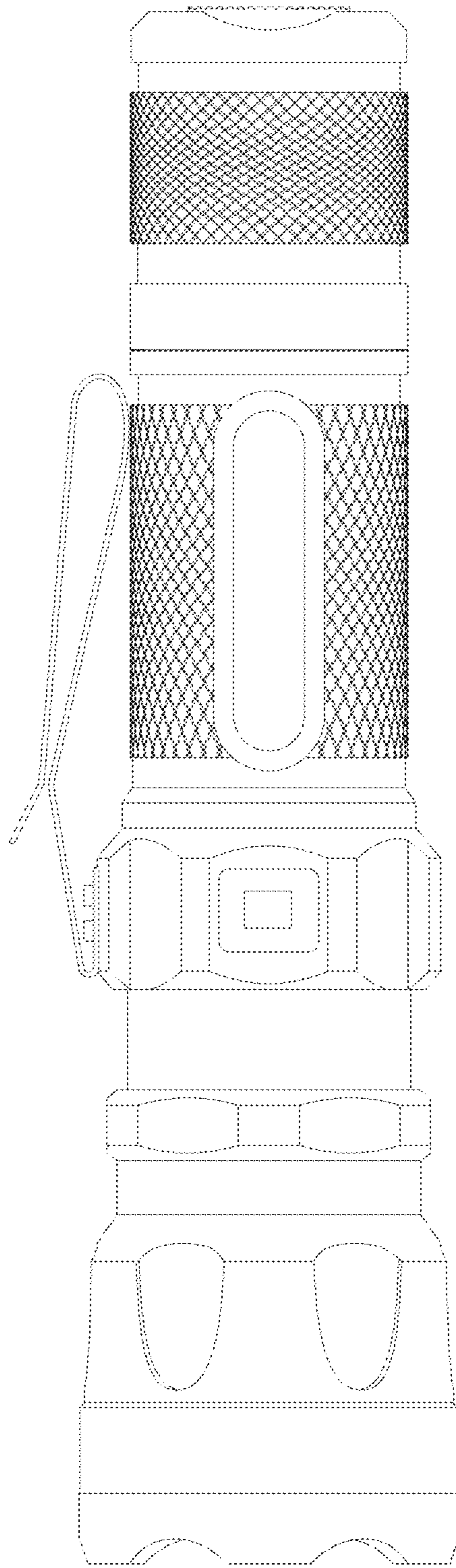


FIG.3

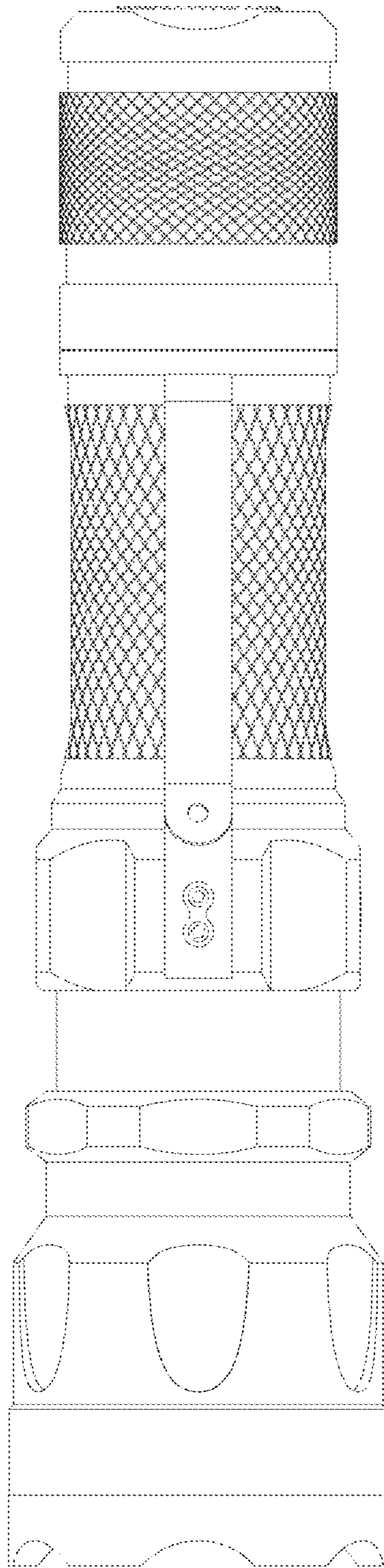


FIG.4

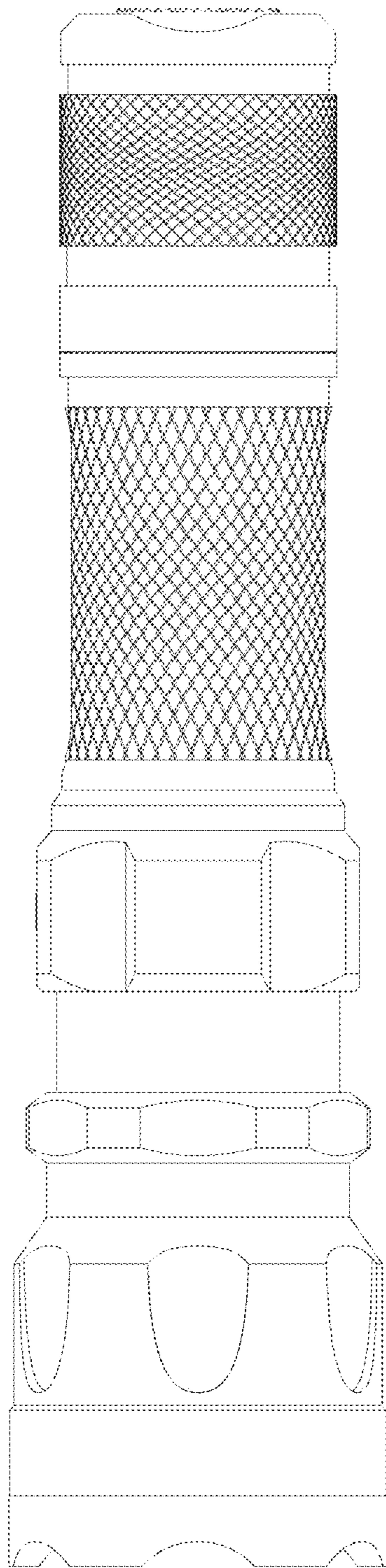


FIG.5

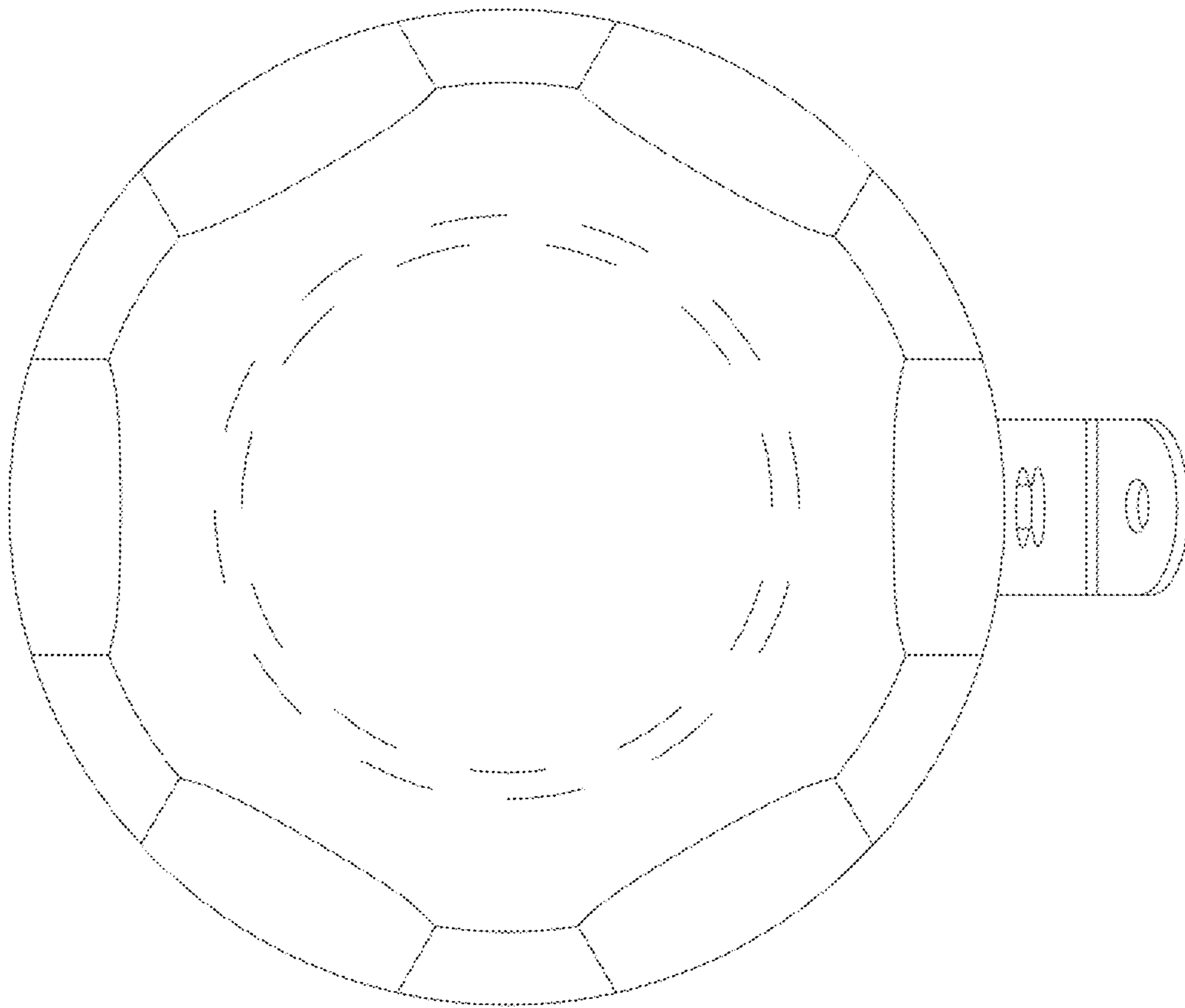


FIG.6

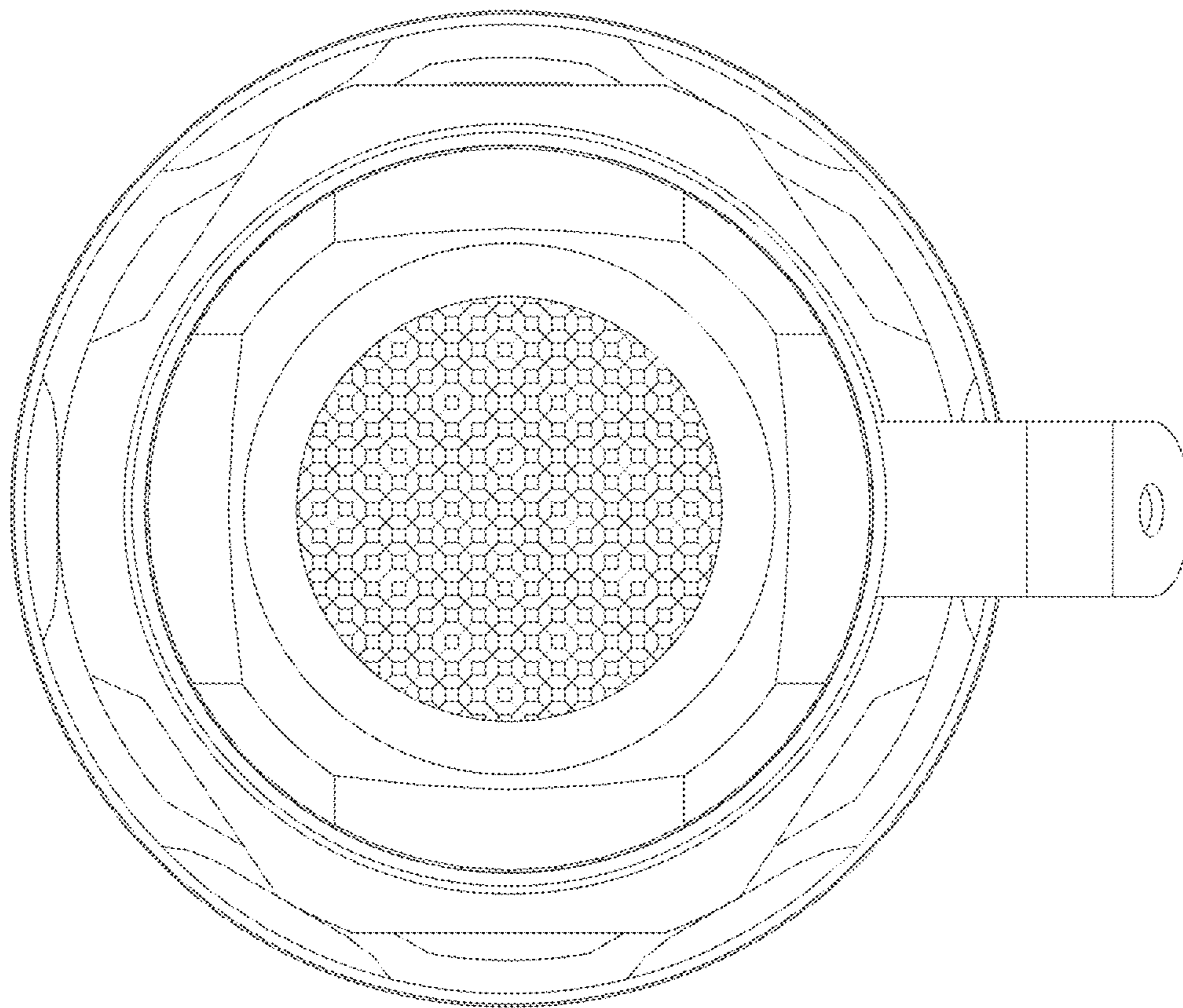


FIG.7

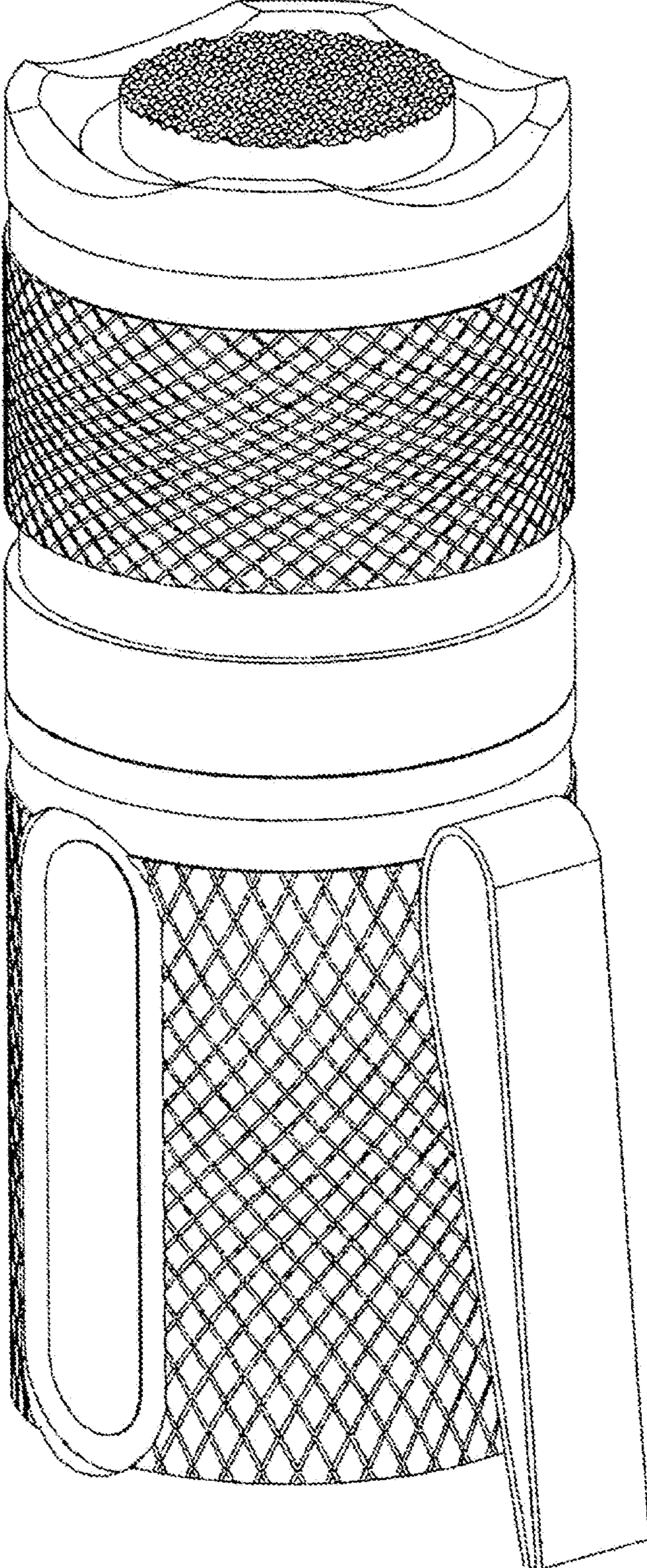


FIG. 8