



US00D882137S

(12) **United States Design Patent**
Cooper

(10) **Patent No.:** **US D882,137 S**

(45) **Date of Patent:** **** Apr. 21, 2020**

(54) **LIGHT**

(71) Applicant: **Wilmar Corporation**, Renton, WA
(US)

(72) Inventor: **David James Cooper**, Renton, WA
(US)

(73) Assignee: **Wilmar Corporation**, Renton, WA
(US)

(**) Term: **15 Years**

(21) Appl. No.: **29/648,039**

(22) Filed: **May 17, 2018**

Related U.S. Application Data

(62) Division of application No. 29/522,053, filed on Mar. 27, 2015, now Pat. No. Des. 858,833.

(51) **LOC (12) Cl.** **26-02**

(52) **U.S. Cl.**
USPC **D26/43**

(58) **Field of Classification Search**
USPC D26/37-51
CPC F21L 2003/00; F21L 4/00; F21L 4/005;
F21L 4/02; F21L 4/025; F21L 4/027;
F21L 4/04; F21L 4/08; F21L 2005/00;
F21L 7/00; F21L 11/00; F21L 13/00;
F21L 13/04; F21L 13/08; F21L 14/02;
F21L 17/00; F21L 19/00; F21L 25/00
See application file for complete search history.

(56) **References Cited**

U.S. PATENT DOCUMENTS

- D384,763 S * 10/1997 Roorda D26/24
- 6,309,086 B1 * 10/2001 Tomlinson F21V 15/01
362/145
- D532,919 S * 11/2006 Handsaker D26/80
- D544,620 S * 6/2007 Son D26/37

- D544,977 S * 6/2007 Qi D26/37
- D563,002 S * 2/2008 Irizarry D26/37
- D563,003 S * 2/2008 Aleksjew D26/37
- D612,973 S * 3/2010 Munstermann D26/80
- D618,845 S * 6/2010 Mark D26/113
- D633,244 S * 2/2011 Kramer D26/80
- D642,726 S * 8/2011 Khubani D26/37
- D650,504 S * 12/2011 Kim D26/63
- D672,900 S * 12/2012 Gailly D26/80
- D681,261 S * 4/2013 Miyatake D26/120
- D690,452 S * 9/2013 Payne D26/80

(Continued)

Primary Examiner — Karen E Kearney

Assistant Examiner — Carissa C Fitts

(74) *Attorney, Agent, or Firm* — Baumgartner Patent
Law; Marc Baumgartner

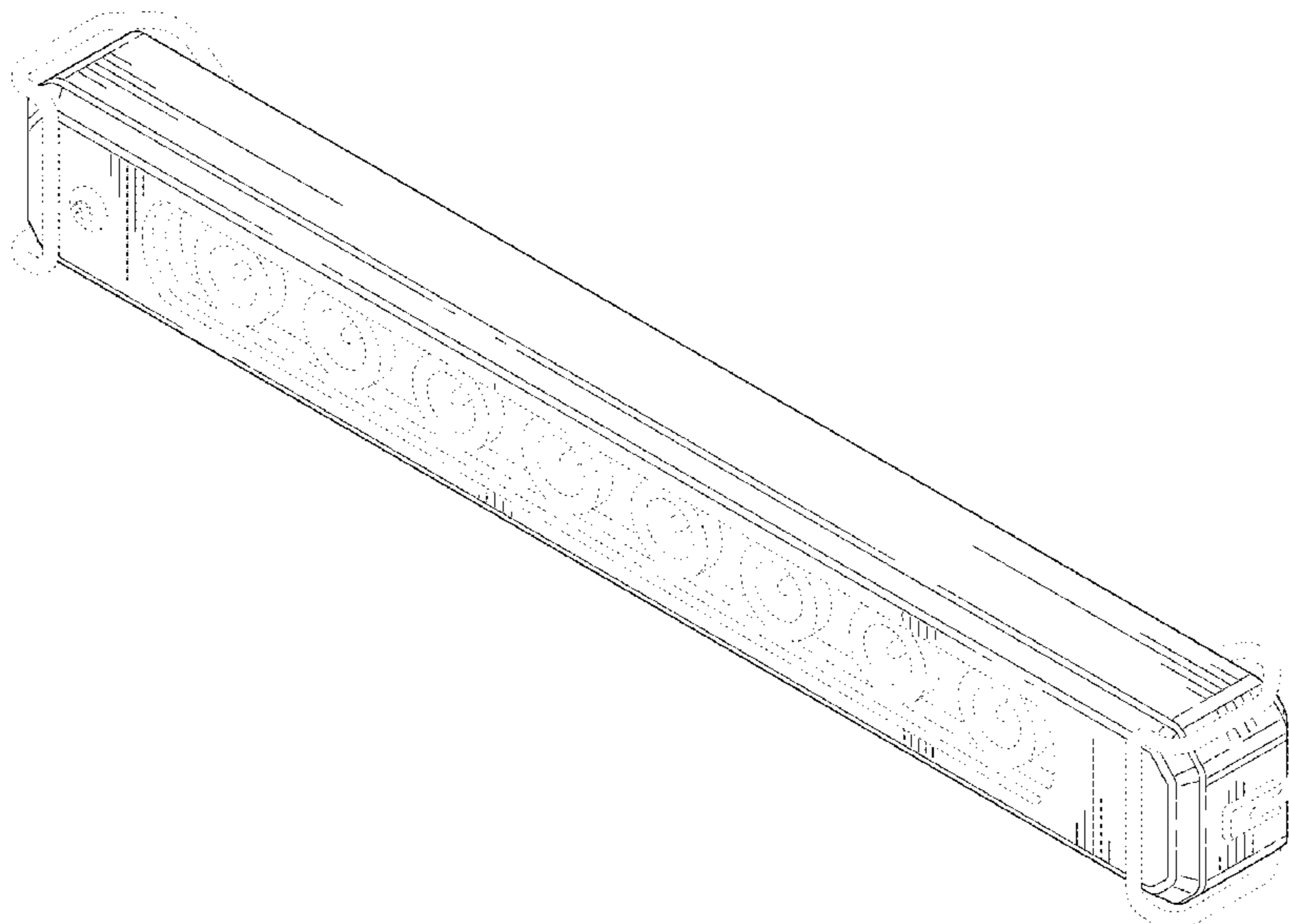
(57) **CLAIM**

The ornamental design for a light, as shown and described.

DESCRIPTION

FIG. 1 is a perspective view of a first embodiment of a light embodying my new design;
 FIG. 2 is a front view of the light of FIG. 1;
 FIG. 3 is a back view of the light of FIG. 1;
 FIG. 4 is a first side view of the light of FIG. 1;
 FIG. 5 is a second side view of the light of FIG. 1;
 FIG. 6 is a top view of the light of FIG. 1;
 FIG. 7 is a bottom view of the light of FIG. 1;
 FIG. 8 is a perspective view of a second embodiment of a light embodying my new design;
 FIG. 9 is a front view of the light of FIG. 8;
 FIG. 10 is a back view of the light of FIG. 8;
 FIG. 11 is a first side view of the light of FIG. 8;
 FIG. 12 is a second side view of the light of FIG. 8;
 FIG. 13 is a top view of the light of FIG. 8; and,
 FIG. 14 is a bottom view of the light of FIG. 8.
 The broken lines show portions of the article not claimed and form no part of the claimed design.

1 Claim, 6 Drawing Sheets



(56)

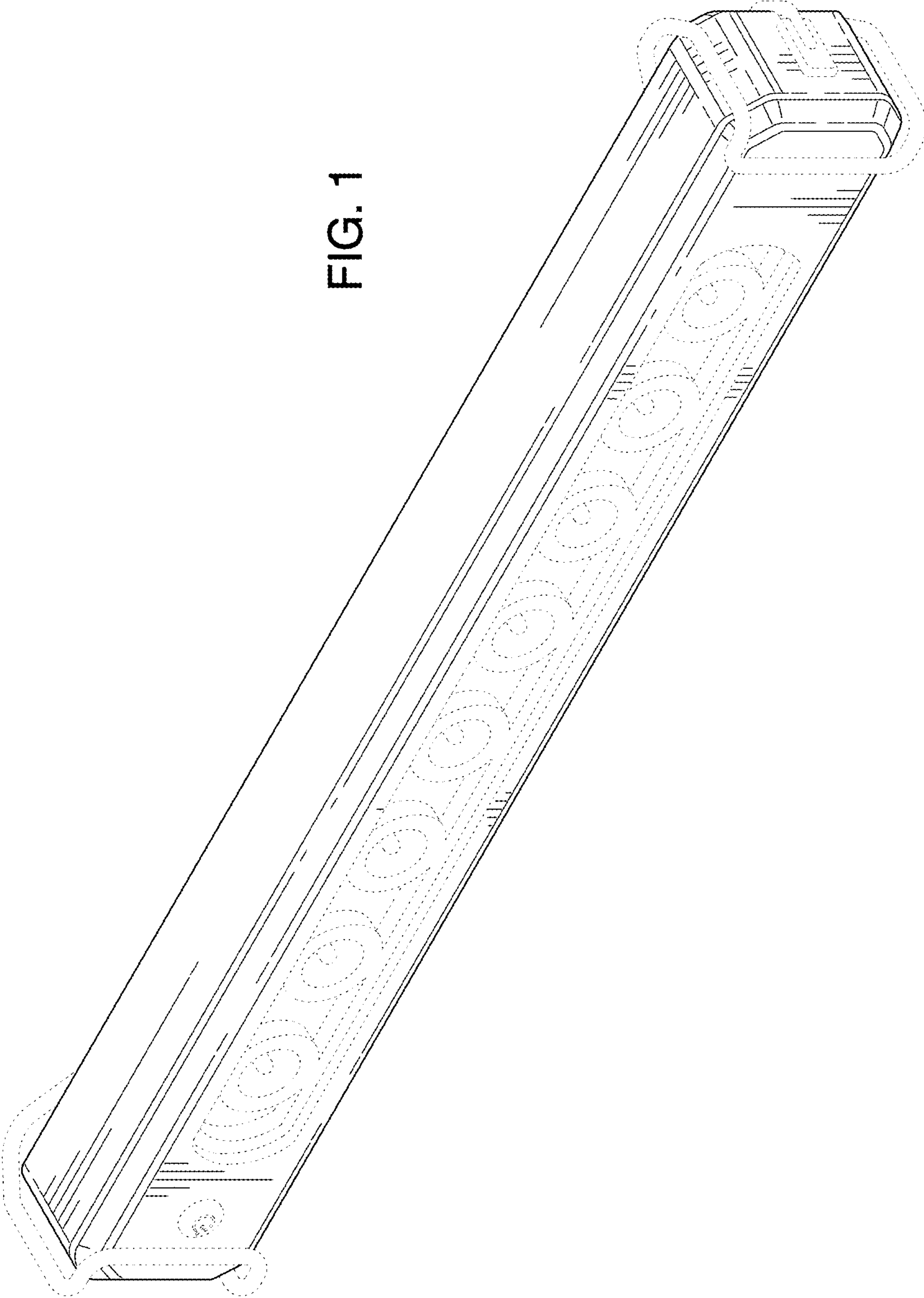
References Cited

U.S. PATENT DOCUMENTS

D722,717 S *	2/2015	Wang	D26/51
D743,594 S *	11/2015	Scazziga	D26/37
D753,334 S *	4/2016	Wei	D26/120
D771,304 S *	11/2016	Goltche	D26/120
D787,728 S *	5/2017	Wing	D26/37
D805,669 S *	12/2017	Noga	D26/51
D858,831 S *	9/2019	Proeber	D26/37
D858,833 S *	9/2019	Cooper	D26/43
2004/0042203 A1 *	3/2004	Ladstatter	F21V 7/0016 362/147

* cited by examiner

FIG. 1



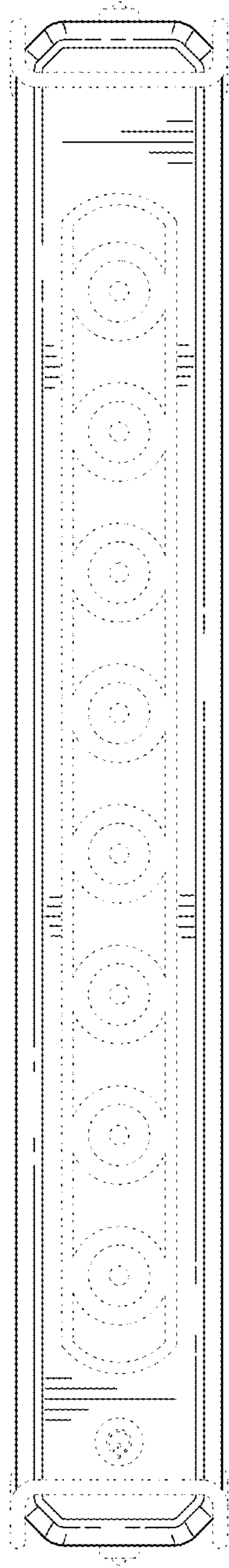


FIG. 2

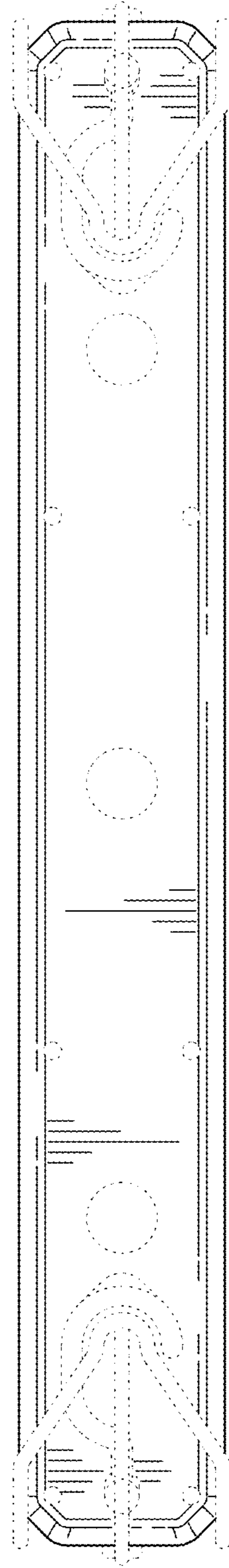


FIG. 3

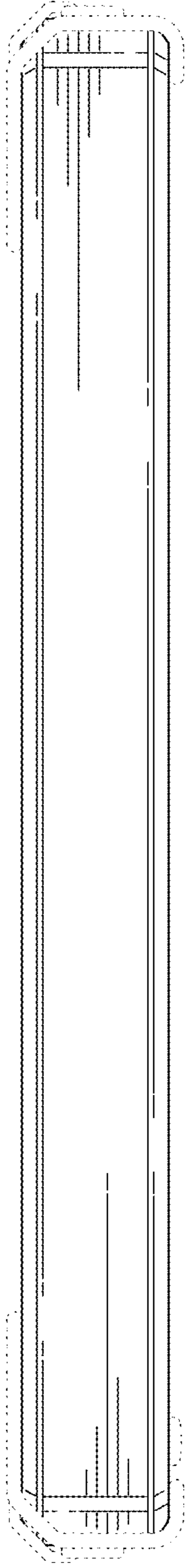


FIG. 4

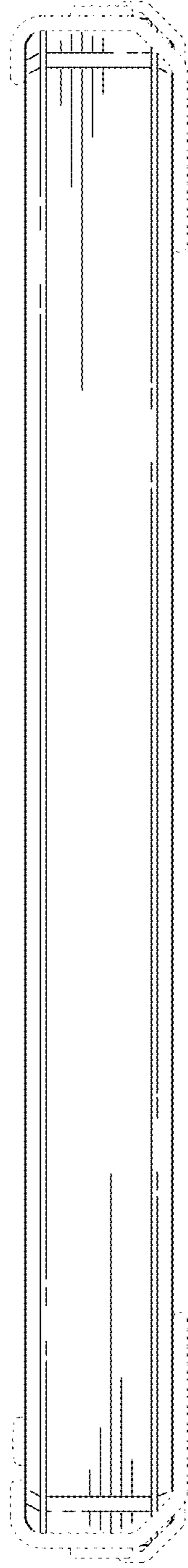


FIG. 5

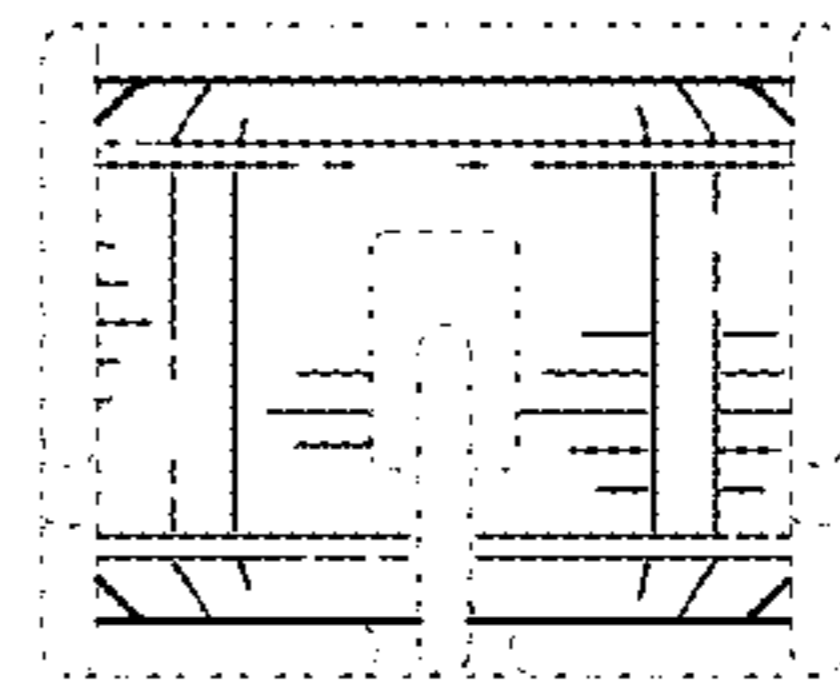


FIG. 6

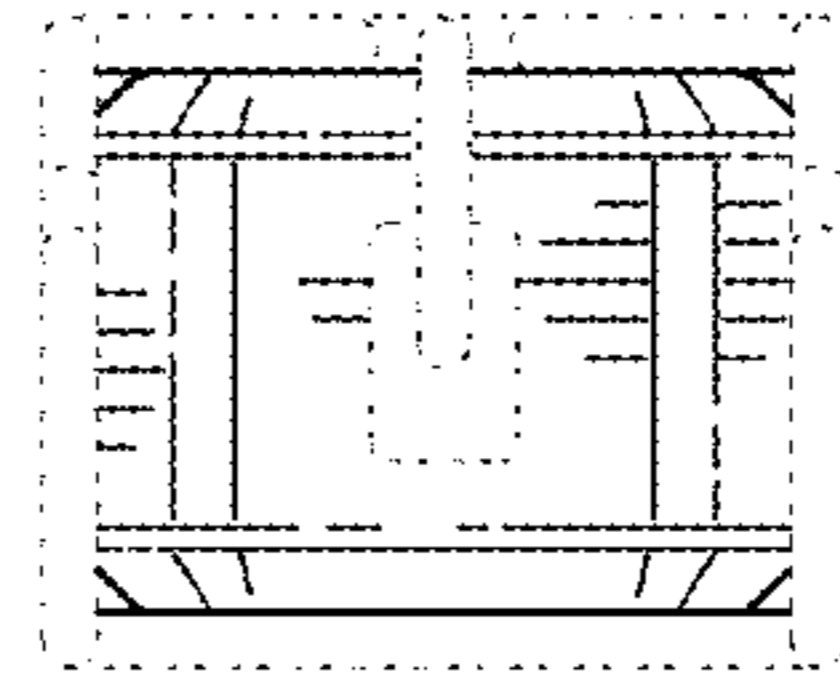


FIG. 7

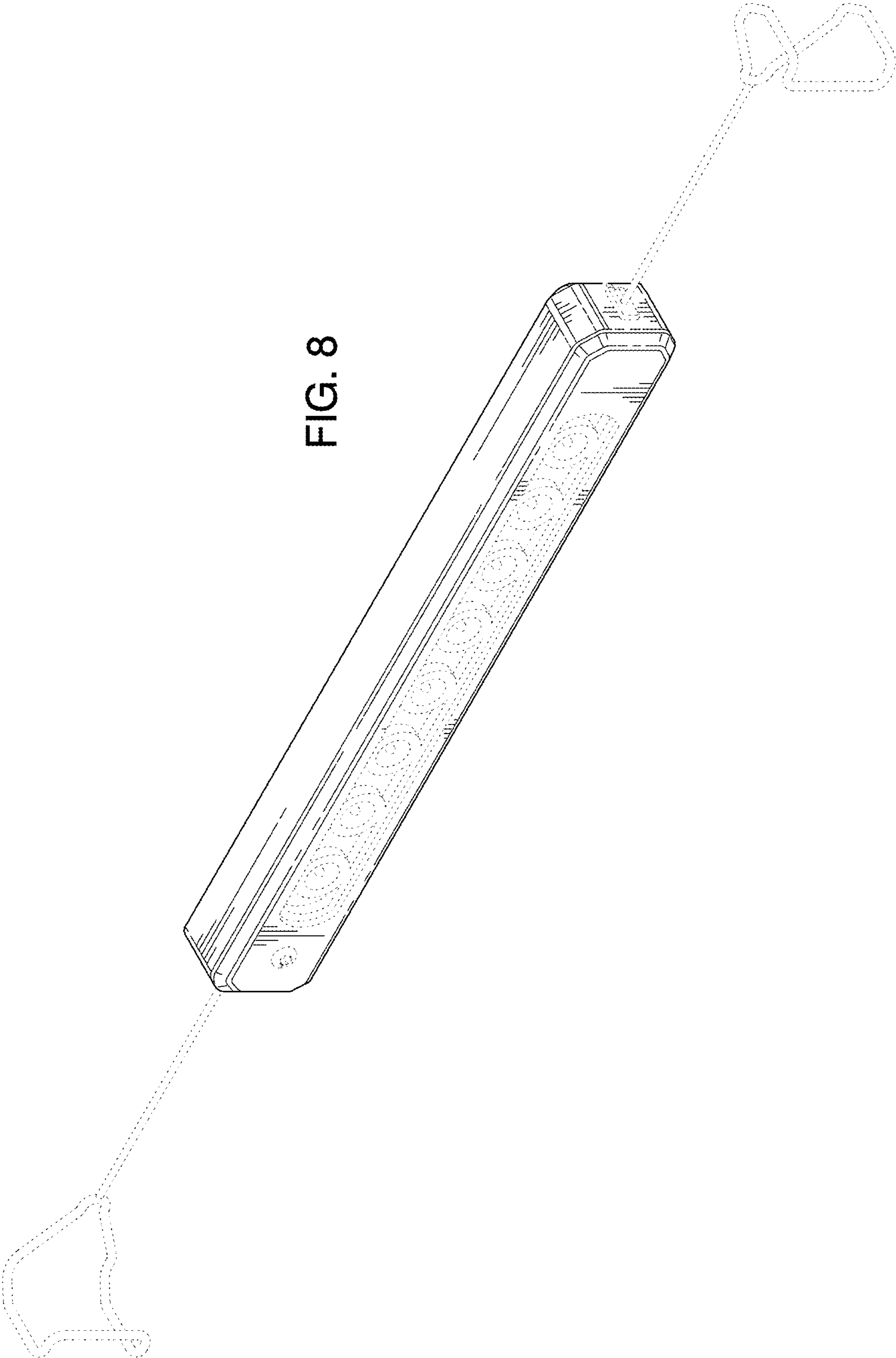


FIG. 8

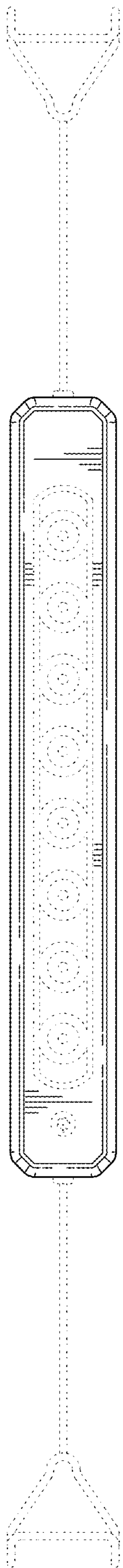


FIG. 9

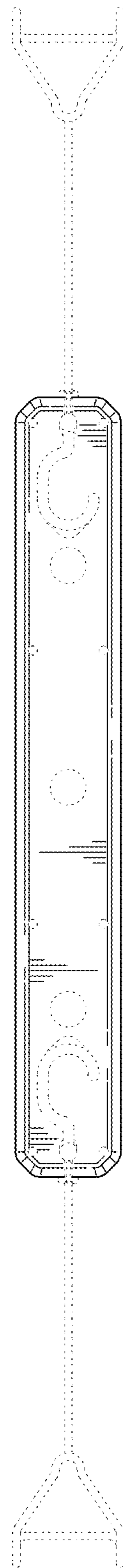


FIG. 10

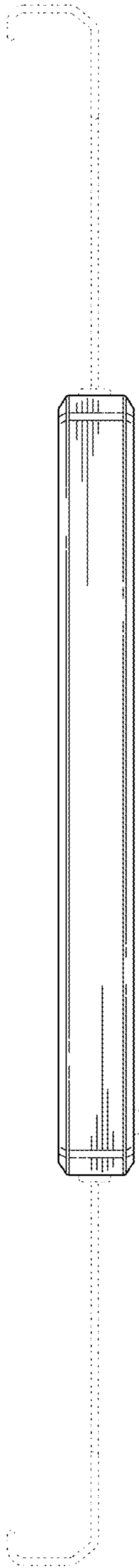


FIG. 11

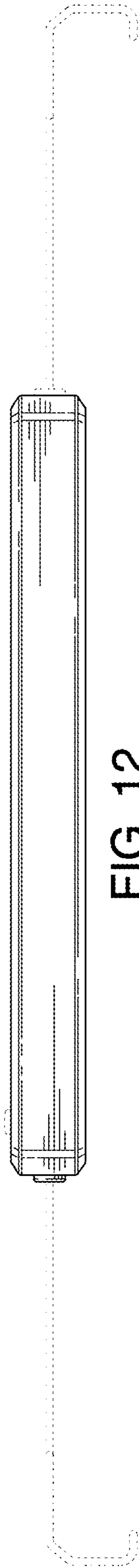


FIG. 12

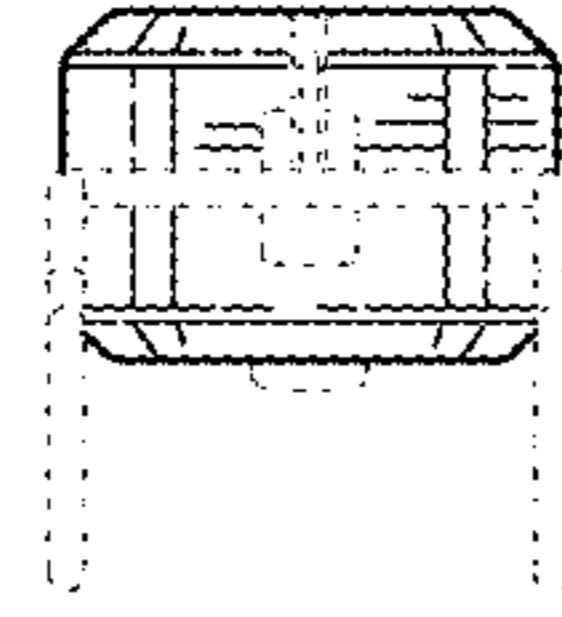


FIG. 14

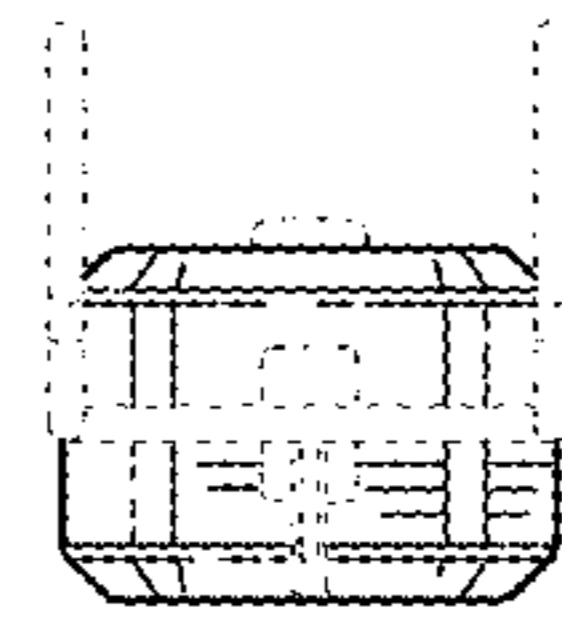


FIG. 13