



US00D882135S

(12) **United States Design Patent**
Cheng

(10) **Patent No.:** **US D882,135 S**

(45) **Date of Patent:** **** Apr. 21, 2020**

(54) **RECHARGEABLE LIGHT**

H01M 2/02; H01M 2/0207; H01M 2/1022; H01M 2/0212

(71) Applicant: **QEE Technology (Shenzhen) Co., Ltd.**, Shenzhen (CN)

See application file for complete search history.

(72) Inventor: **Kin Chung Cheng**, Shenzhen (CN)

(56) **References Cited**

(73) Assignee: **QEE TECHNOLOGY (SHENZHEN) CO., LTD.**, Shenzhen (CN)

U.S. PATENT DOCUMENTS

(**) Term: **15 Years**

D485,628 S *	1/2004	Yuen	D26/37
D578,687 S *	10/2008	Hong	D26/37
D874,043 S *	1/2020	Lee	D26/37
D875,285 S *	2/2020	Prieto	D26/37

(21) Appl. No.: **29/672,612**

* cited by examiner

(22) Filed: **Dec. 6, 2018**

Primary Examiner — Abraham Bahta

(51) **LOC (12) Cl.** **26-02**

(57) **CLAIM**

(52) **U.S. Cl.**

The ornamental design for a rechargeable light, as shown and described.

USPC **D26/37**

DESCRIPTION

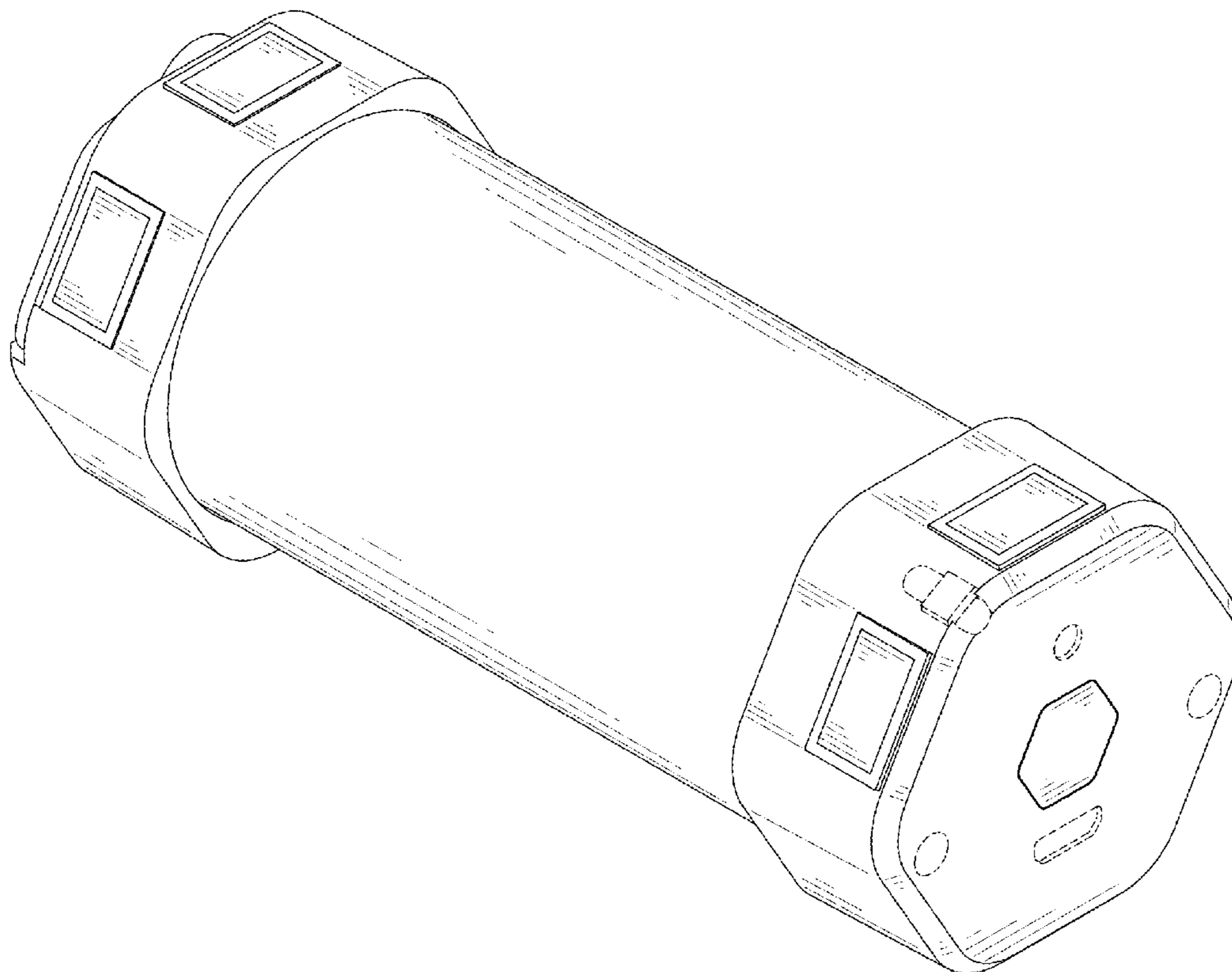
(58) **Field of Classification Search**

USPC D26/1, 24, 25, 43, 60, 110, 113, 28, 37, D26/61, 85, 102, 138-140, 39; 362/249.14, 311.02, 311.13; D13/102-110, 184

CPC F21S 4/00; F21S 4/10; F21S 4/15; F21S 4/26; F21S 8/00; F21S 8/03; F21S 8/033; F21S 8/036; F21S 9/037; F21S 9/02; F21S 9/022; F21V 11/02; F21V 11/06; F21V 17/10; F21V 17/16; F21V 23/00; F21V 23/04; F21V 33/00; F21V 1/00; F21V 1/10; F21V 1/143; F21W 2121/00; F21W 2121/04; F21Y 2115/10; F21L 4/00; F21L 4/02; F21L 4/04; F21L 4/08;

FIG. 1 is a perspective view of the rechargeable light showing my new design; FIG. 2 is another perspective view thereof; FIG. 3 is a front elevational view thereof; FIG. 4 is a rear elevational view thereof; FIG. 5 is a left side elevational view thereof; FIG. 6 is a right side elevational view thereof; FIG. 7 is a top plan view thereof; and, FIG. 8 is a bottom plan view thereof. The broken lines illustrate portions of the rechargeable light that form no part of the claimed design.

1 Claim, 8 Drawing Sheets



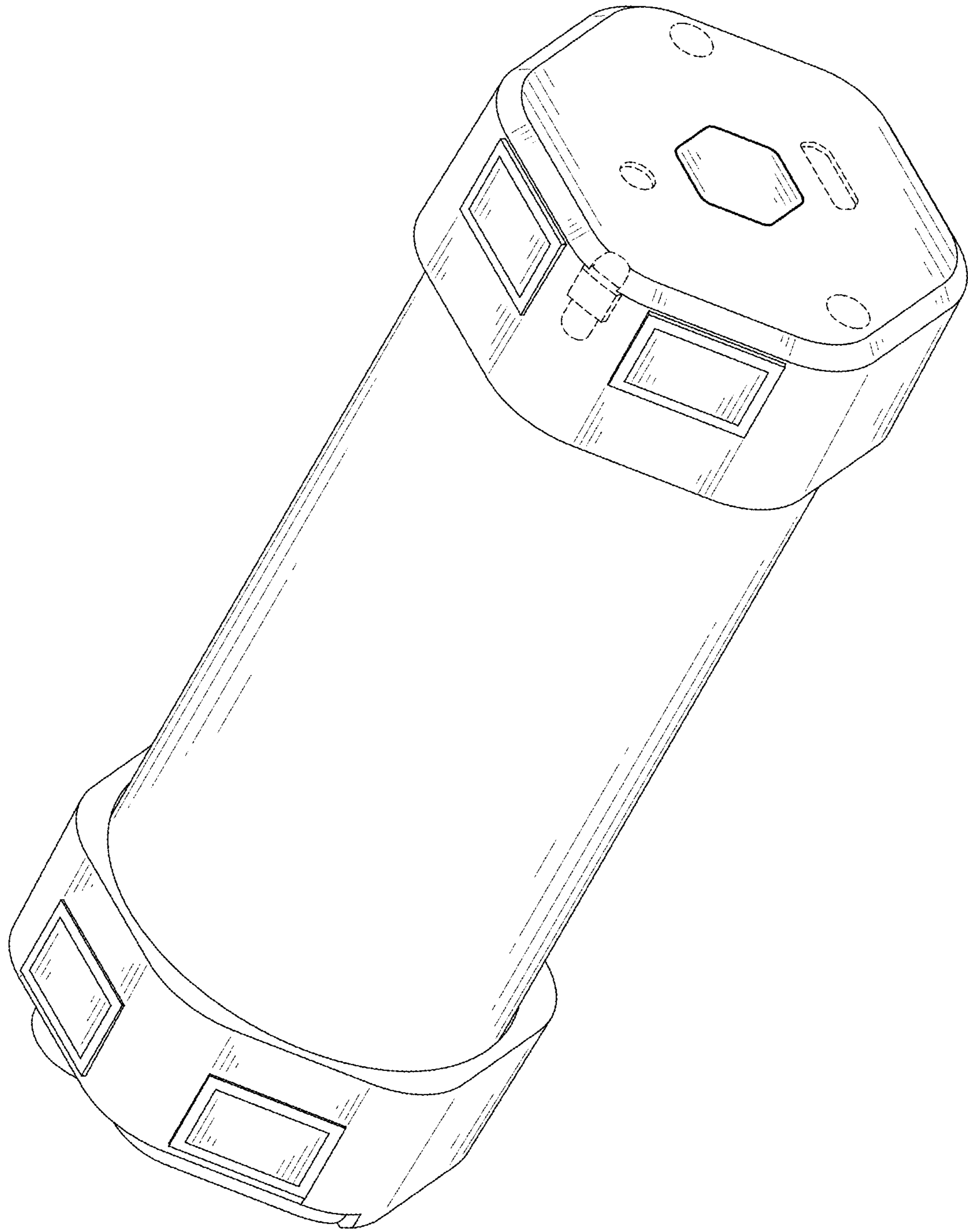


FIG. 1

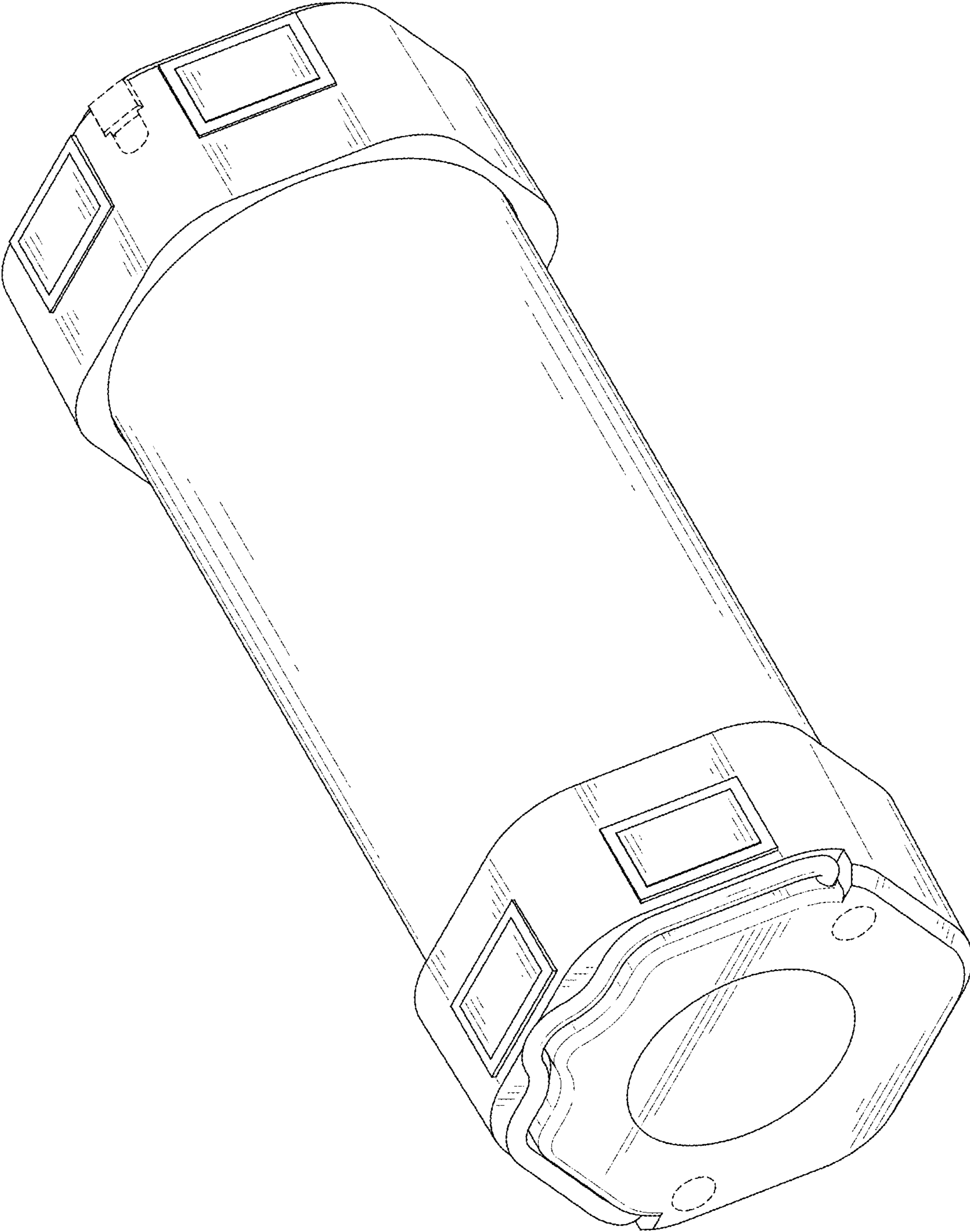


FIG. 2

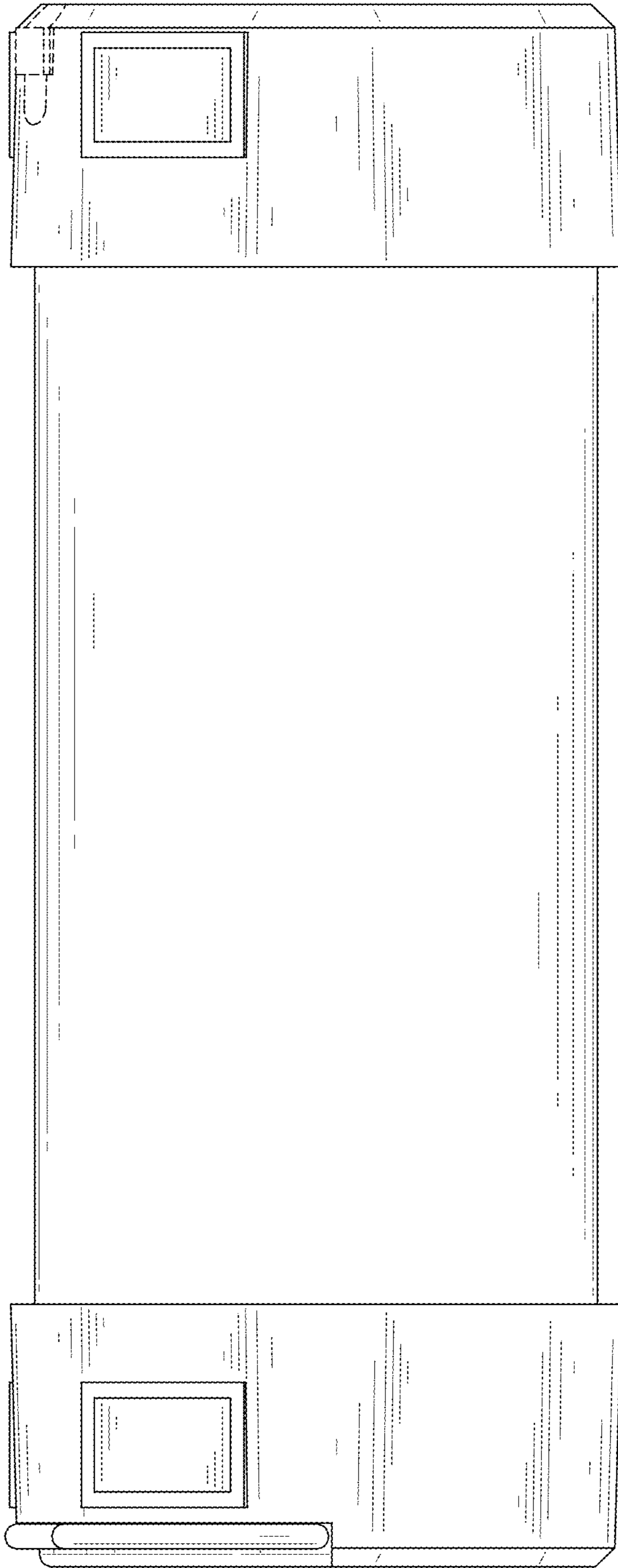


FIG. 3

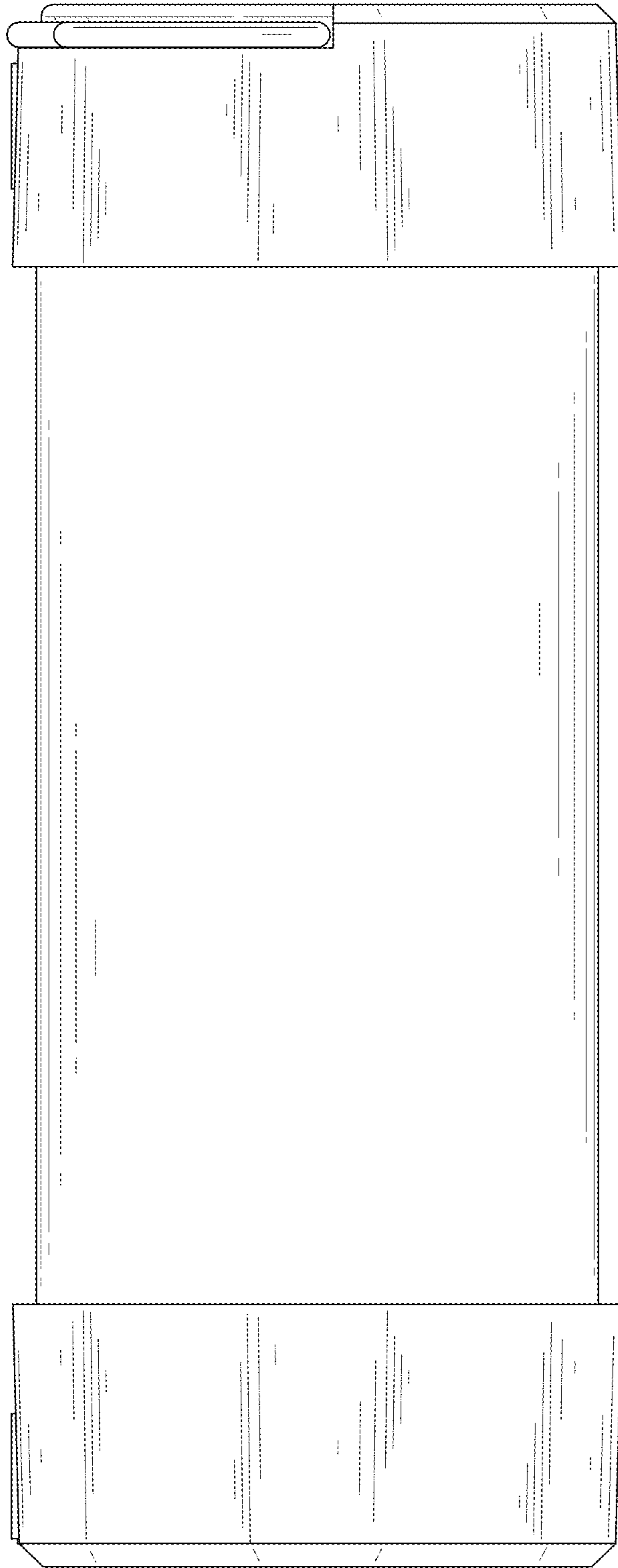


FIG. 4

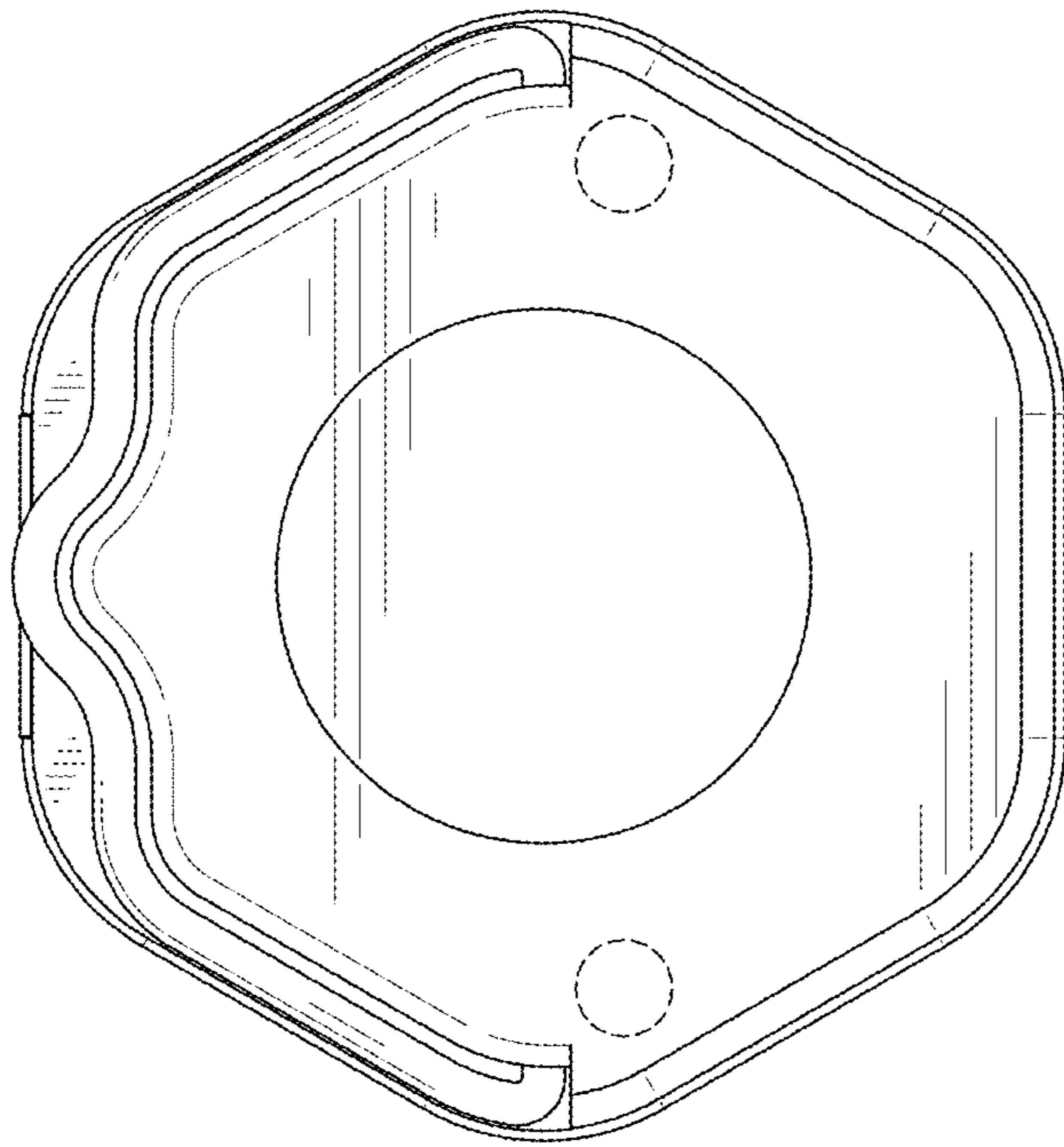


FIG. 5

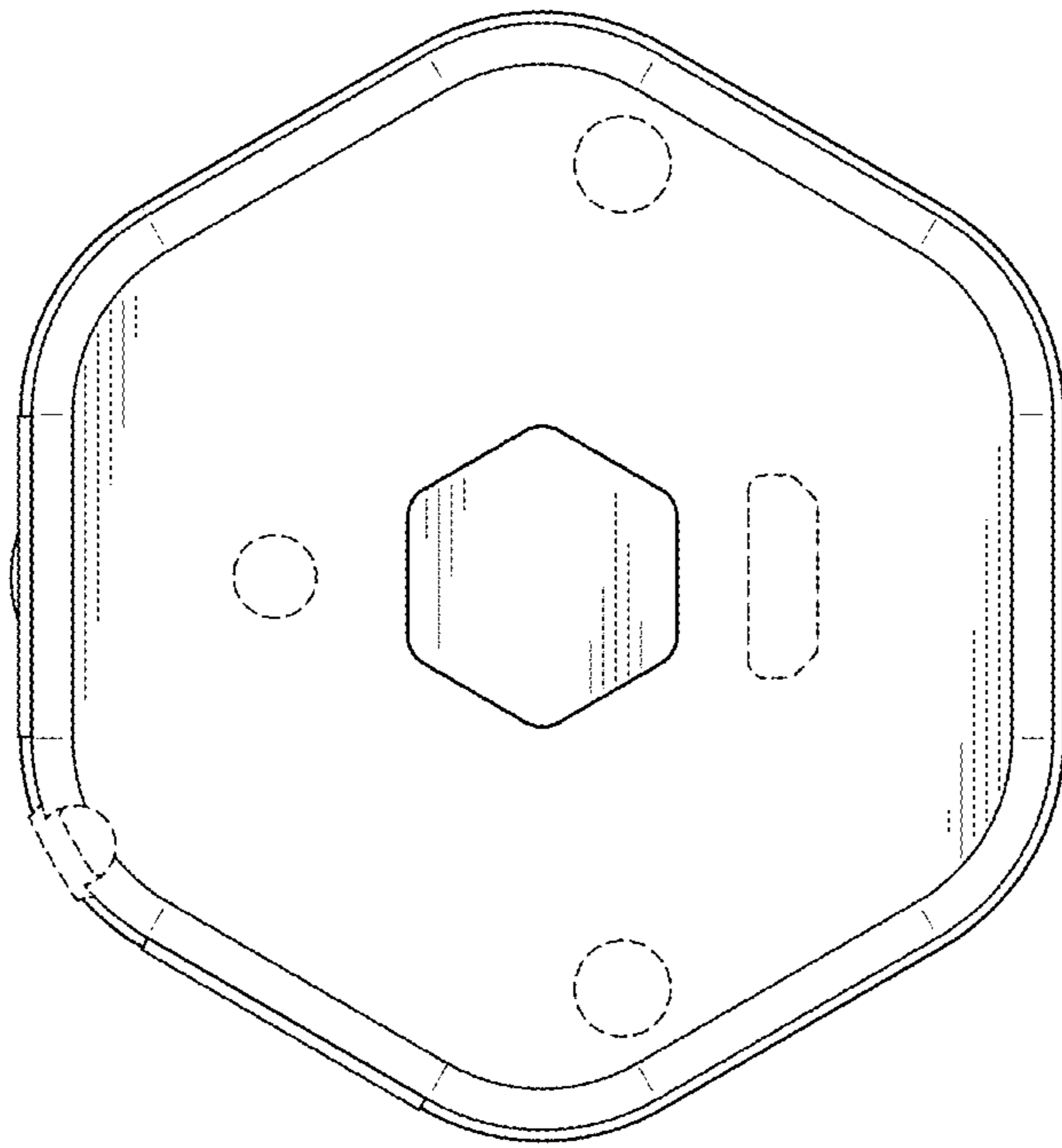


FIG. 6

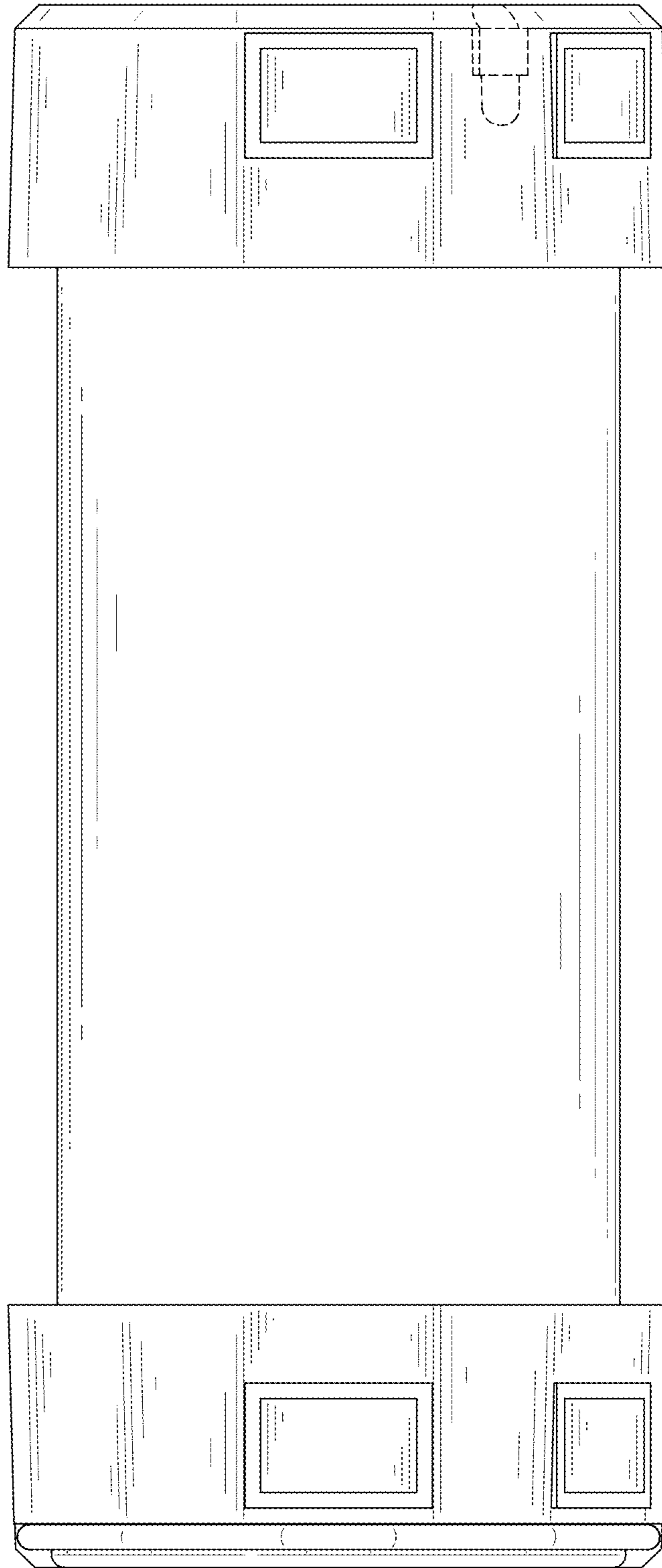


FIG. 7

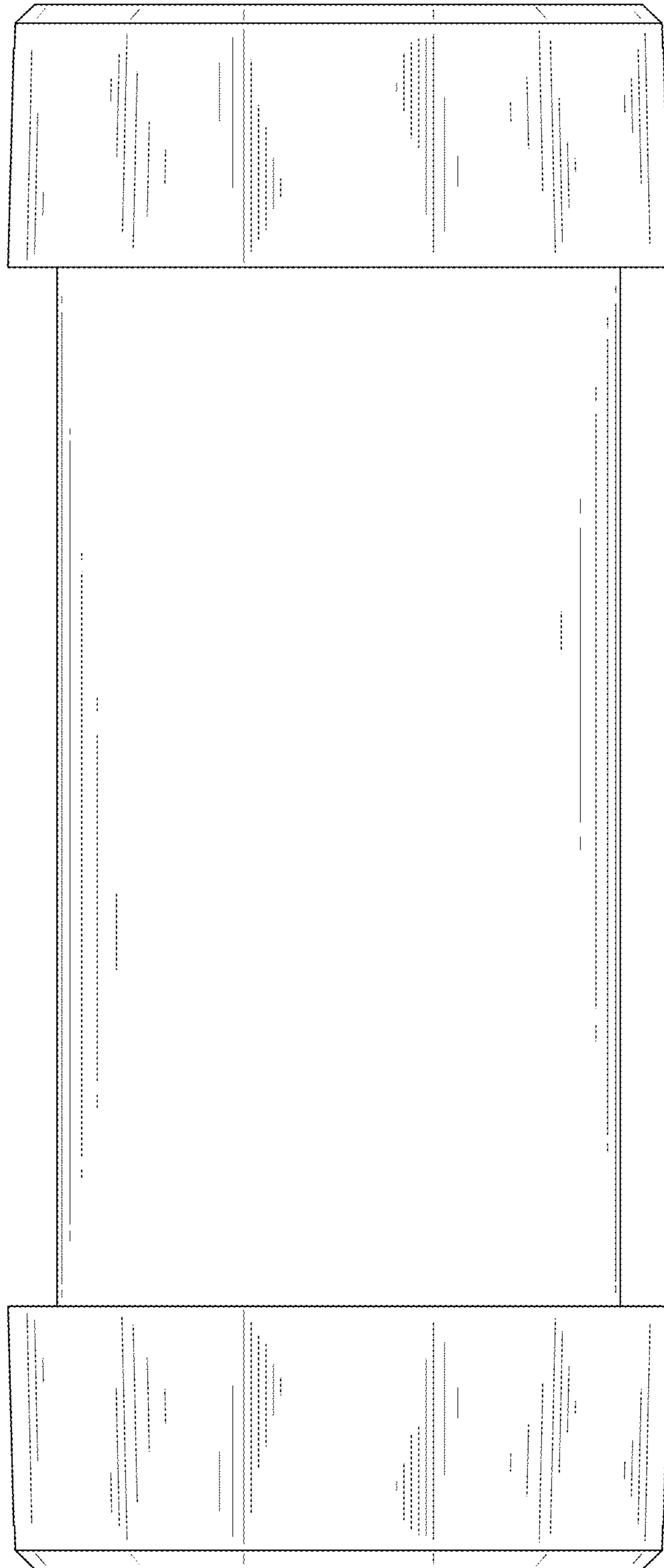


FIG. 8