



US00D882134S

(12) **United States Design Patent**  
**Wu**

(10) **Patent No.:** **US D882,134 S**

(45) **Date of Patent:** **\*\* Apr. 21, 2020**

(54) **VEHICLE LIGHT**

(71) Applicant: **COPLUS INC.**, Tainan (TW)

(72) Inventor: **Po-Hua Wu**, Tainan (TW)

(73) Assignee: **Coplus Inc.**, Tainan (TW)

(\*\*) Term: **15 Years**

(21) Appl. No.: **29/677,191**

(22) Filed: **Jan. 17, 2019**

(30) **Foreign Application Priority Data**

Dec. 20, 2018 (TW) ..... 10730241D01

(51) **LOC (12) Cl.** ..... **26-06**

(52) **U.S. Cl.**  
USPC ..... **D26/28**

(58) **Field of Classification Search**

USPC ..... D26/28, 29, 30, 31, 32, 33, 34, 35, 36;  
362/459-468, 475-478, 485-487

CPC ..... F21S 48/00; F21S 48/10; F21S 48/115;  
F21S 48/225; F21S 48/1233; F21S  
48/1266; F21S 48/1388; F21S 48/2268;  
F21V 21/04

See application file for complete search history.

(56) **References Cited**

**U.S. PATENT DOCUMENTS**

D797,332 S \* 9/2017 Lin ..... D26/28

D804,065 S \* 11/2017 Lai ..... D26/28

D807,549 S \* 1/2018 Lin ..... D26/28

D830,591 S \* 10/2018 Lai ..... D26/28

D831,245 S \* 10/2018 Lin ..... D26/28

D854,202 S \* 7/2019 Lin ..... D26/28

D866,018 S \* 11/2019 Herzog ..... D26/28

D866,022 S \* 11/2019 Hannemann ..... D26/28

D867,638 S \* 11/2019 Kong ..... D26/28

\* cited by examiner

*Primary Examiner* — Angela J Lee

(74) *Attorney, Agent, or Firm* — Lewis Rocaa Rothgerber  
Christie LLP

(57) **CLAIM**

The ornamental design for vehicle light, as shown and  
described.

**DESCRIPTION**

FIG. 1 is a perspective view of a vehicle light;

FIG. 2 is a front view thereof;

FIG. 3 is a rear view thereof;

FIG. 4 is a left side view thereof;

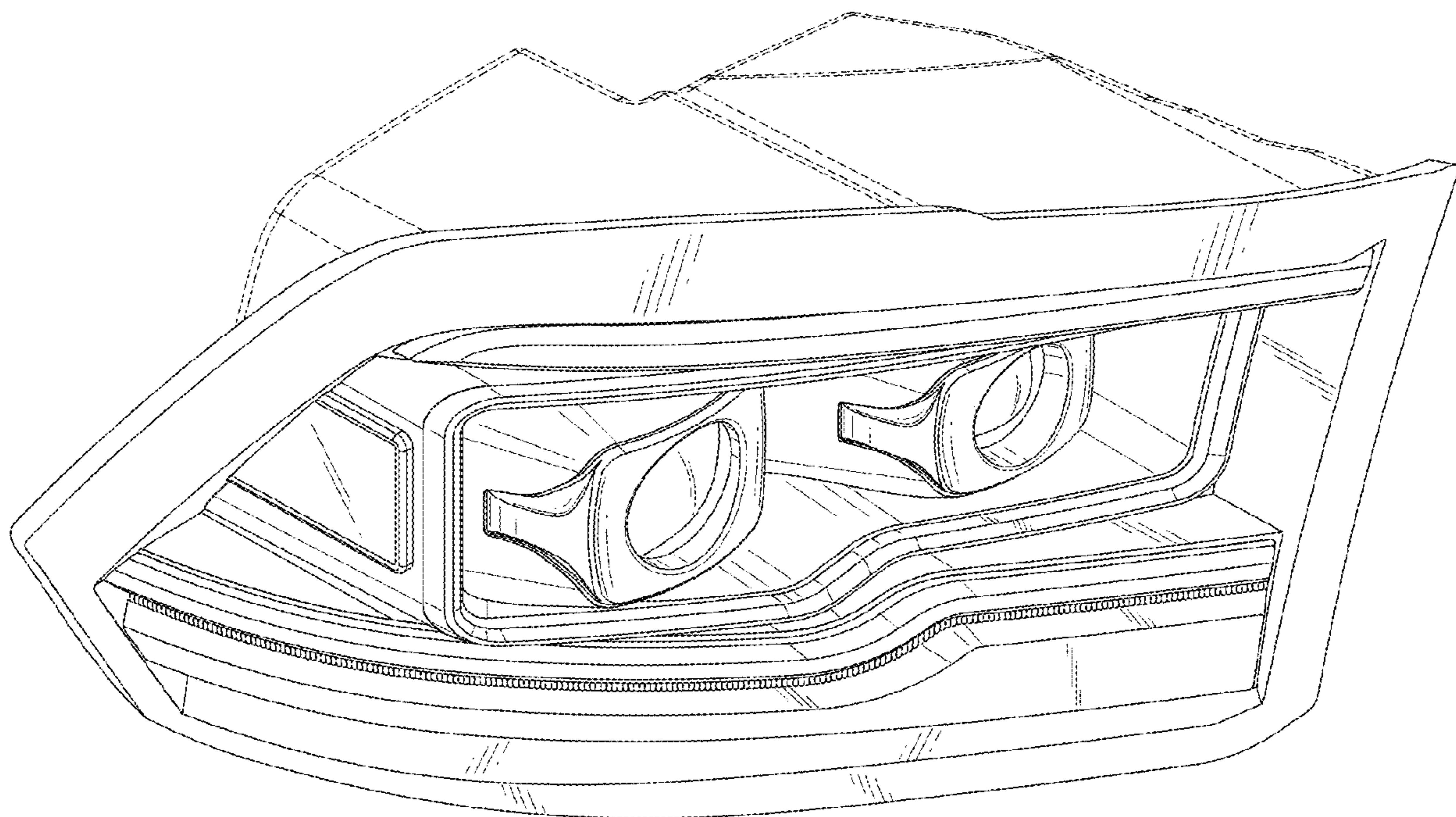
FIG. 5 is a right side view thereof;

FIG. 6 is a top view thereof; and,

FIG. 7 is a bottom view thereof.

The broken lines in the drawings are for illustrative purpose  
only and form no part of the claimed design.

**1 Claim, 7 Drawing Sheets**



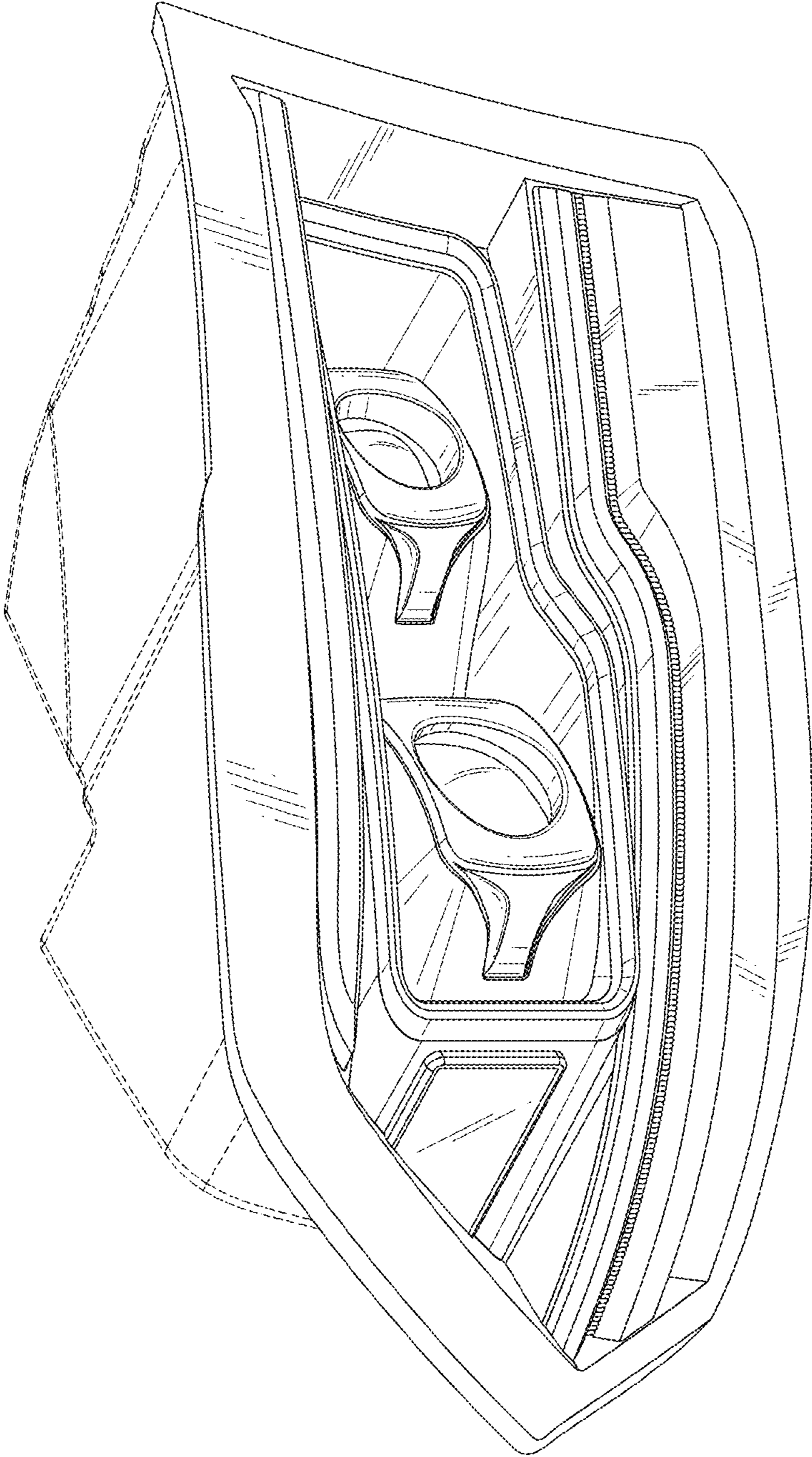


FIG. 1



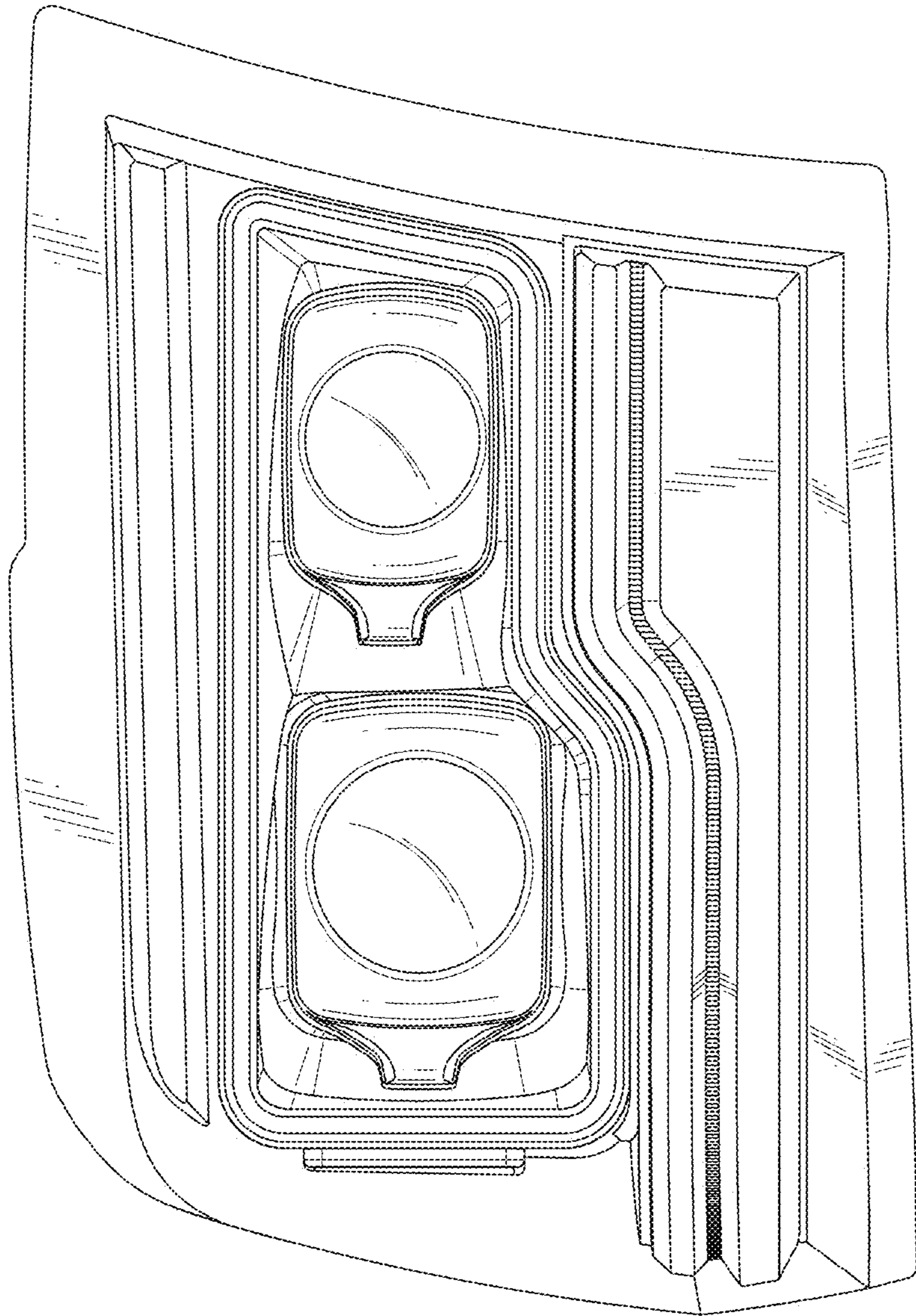


FIG. 2

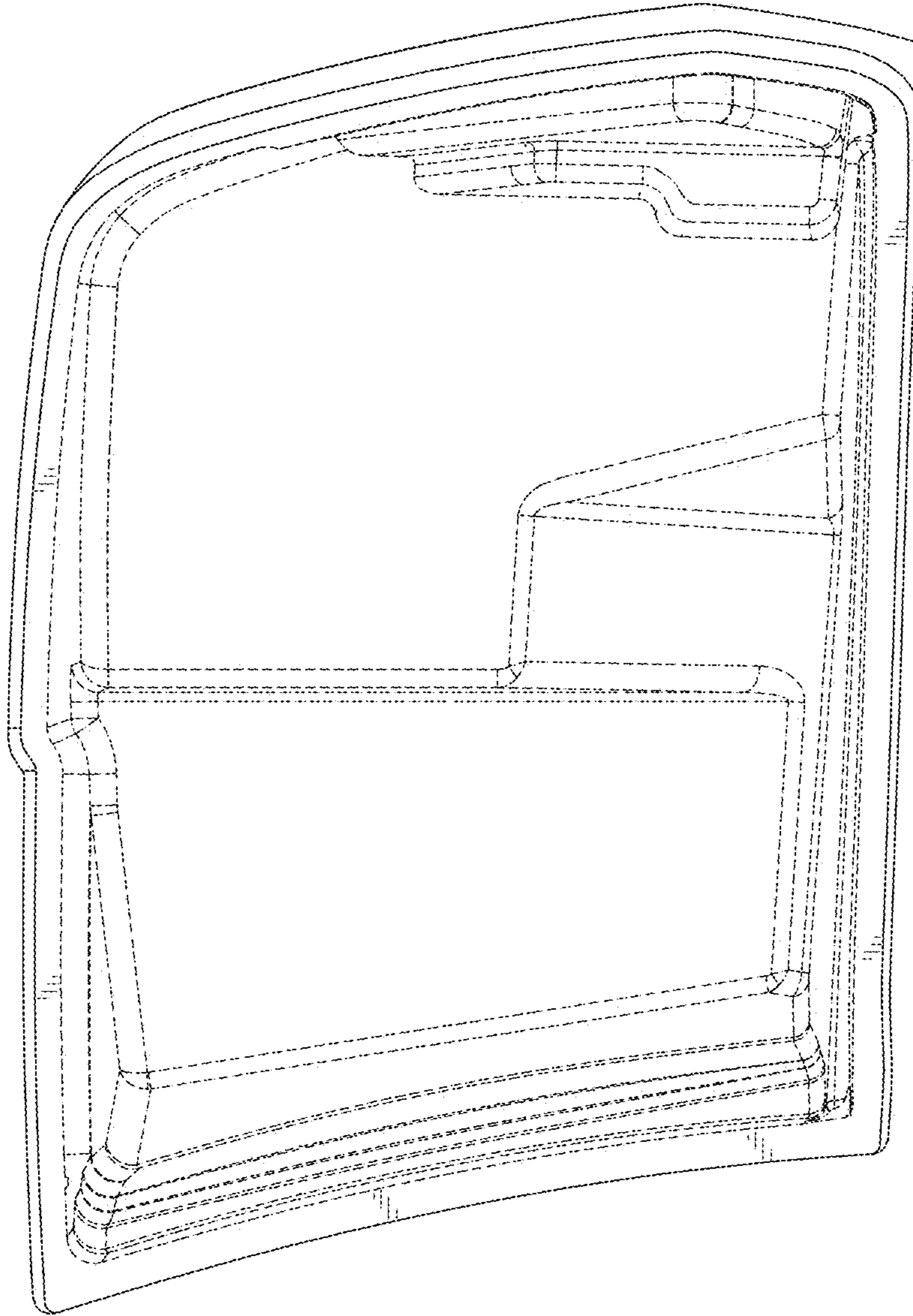


FIG. 3

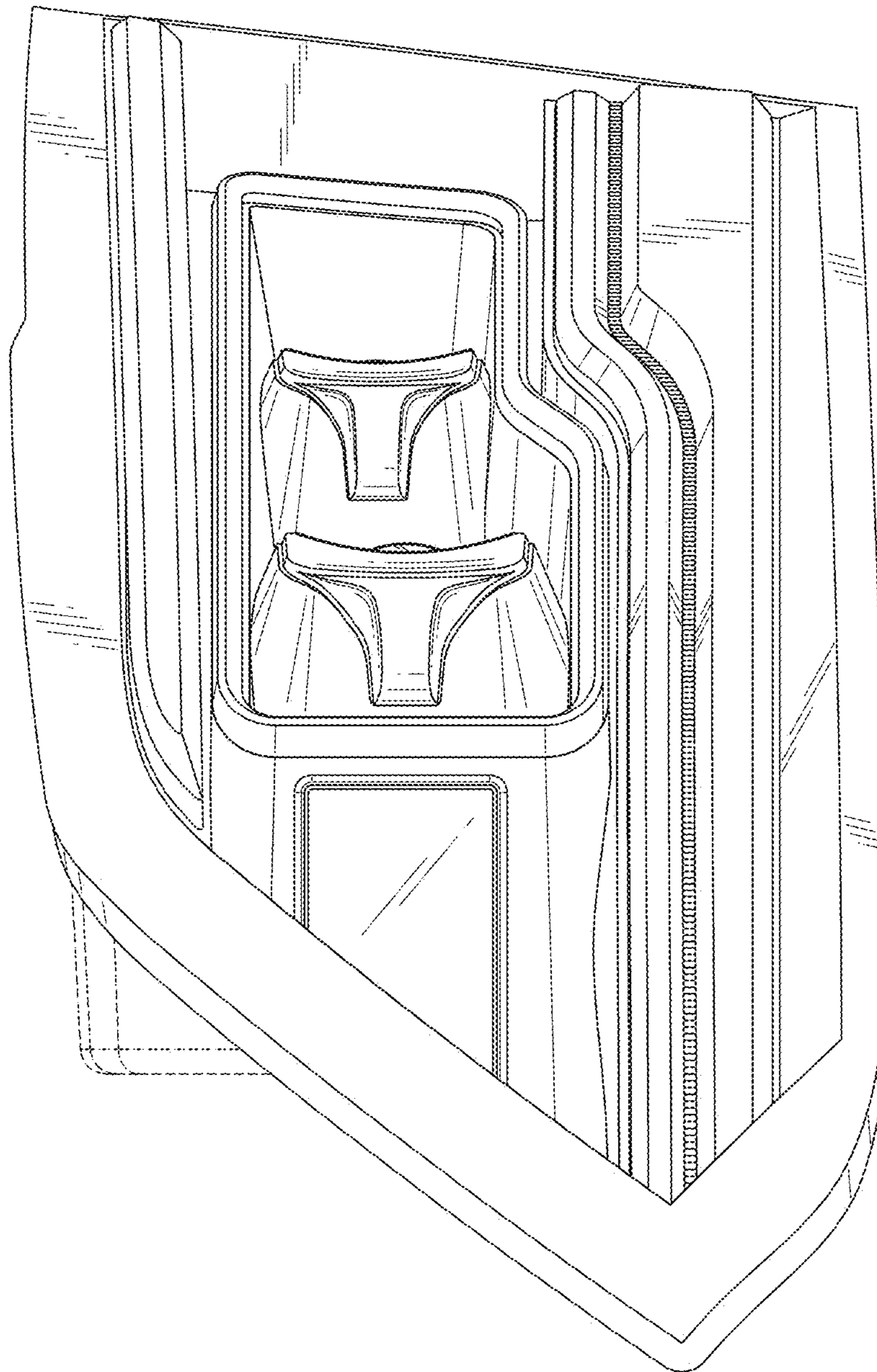


FIG. 4

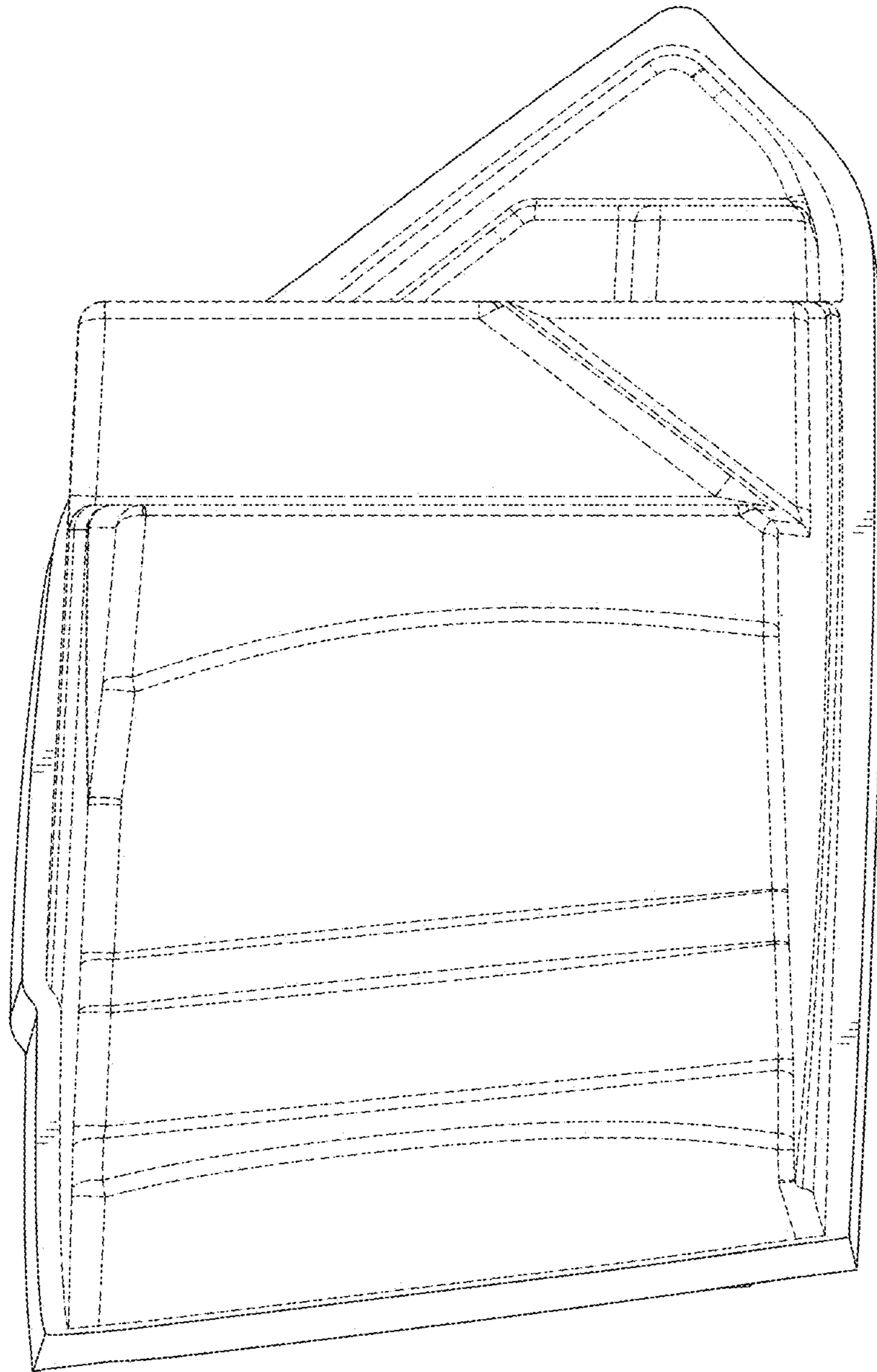


FIG. 5



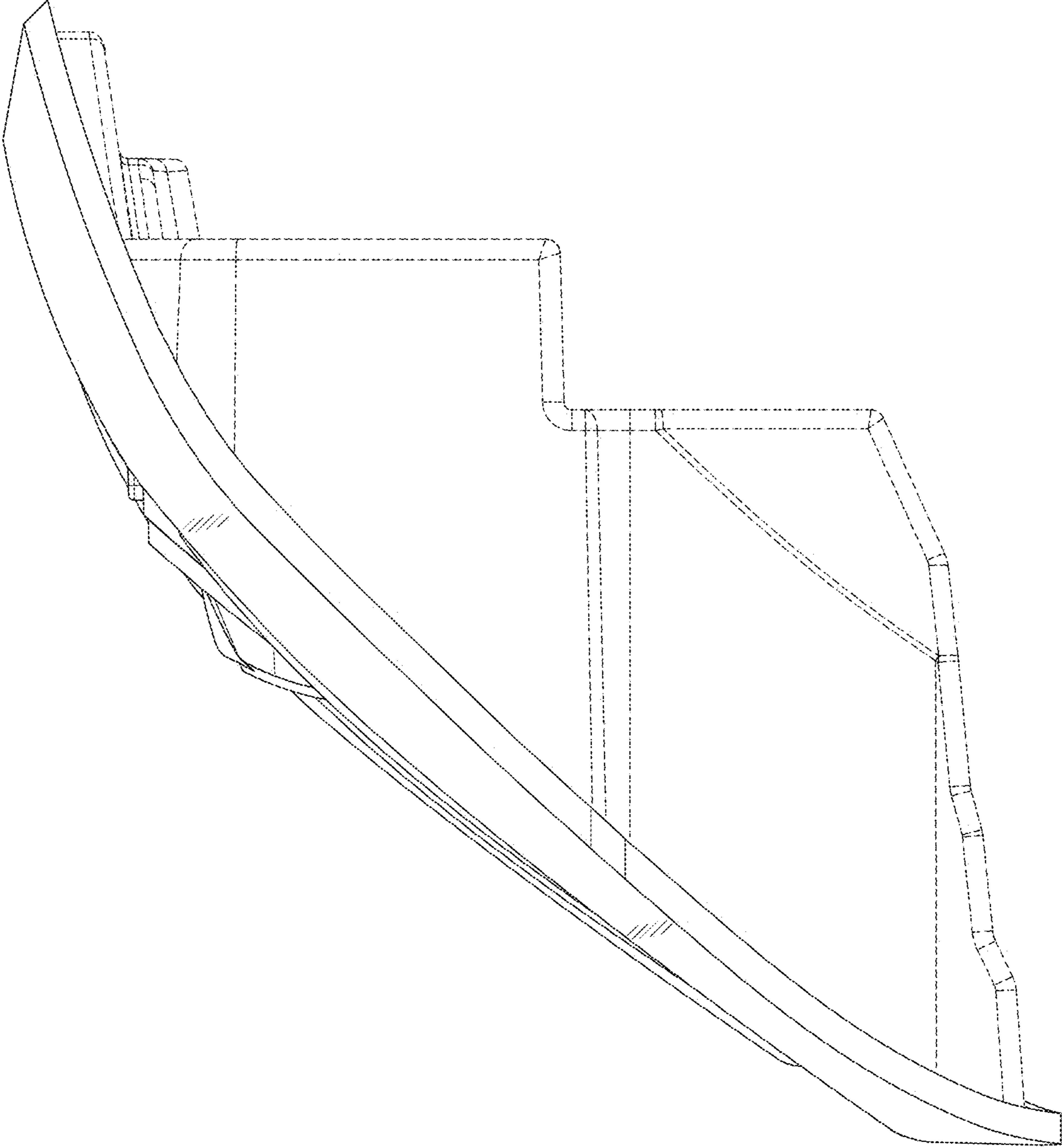


FIG. 6

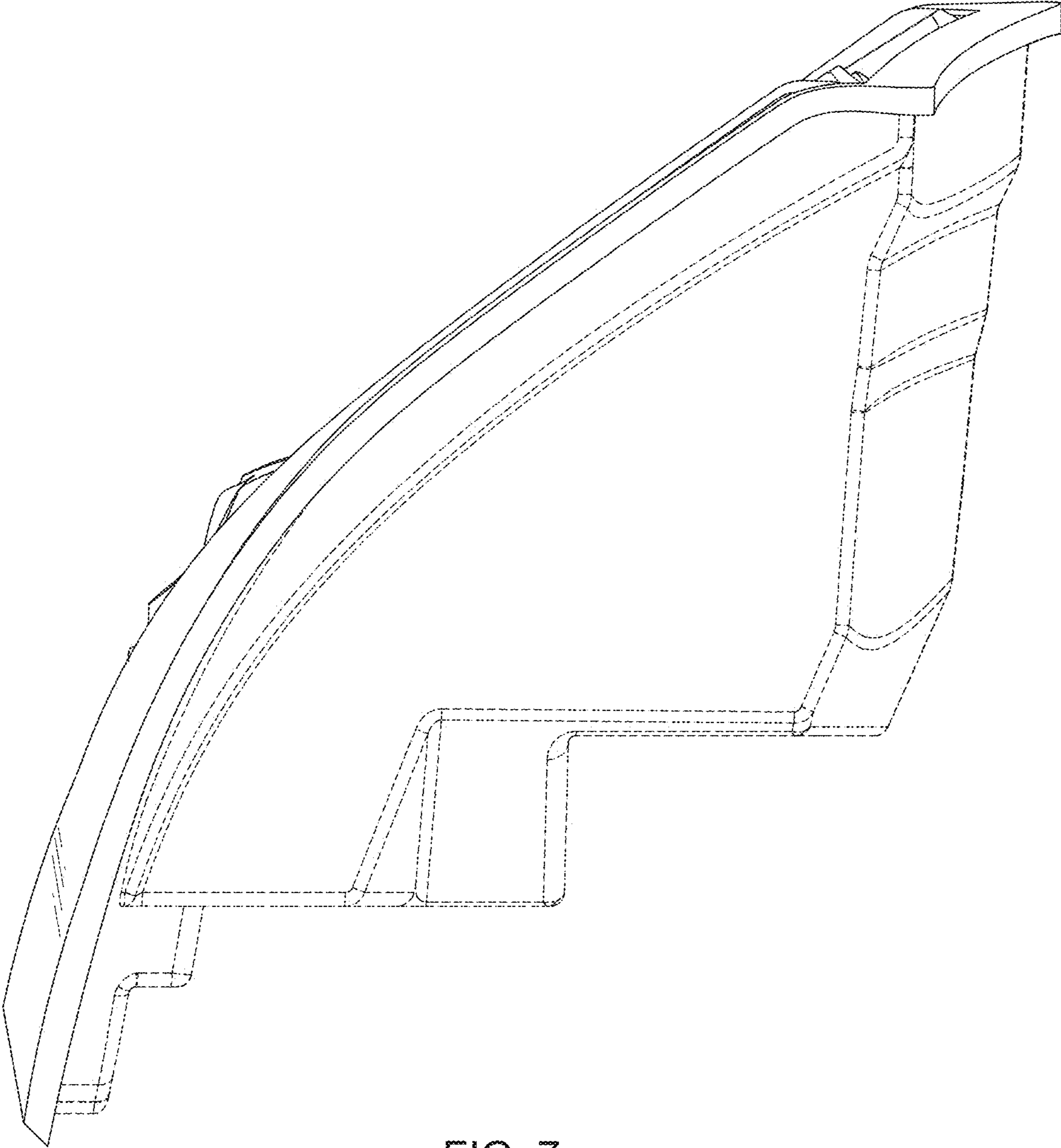


FIG. 7