



US00D882129S

(12) **United States Design Patent**
Wu

(10) **Patent No.:** **US D882,129 S**
(45) **Date of Patent:** **** Apr. 21, 2020**

(54) **VEHICLE LIGHT**

(71) Applicant: **COPLUS INC.**, Tainan (TW)

(72) Inventor: **Po-Hua Wu**, Tainan (TW)

(73) Assignee: **Coplus Inc.**, Tainan (TW)

(**) Term: **15 Years**

(21) Appl. No.: **29/644,085**

(22) Filed: **Apr. 13, 2018**

(30) **Foreign Application Priority Data**

Oct. 13, 2017 (TW) 106306042

(51) **LOC (12) Cl.** **26-06**

(52) **U.S. Cl.**
USPC **D26/28**

(58) **Field of Classification Search**
USPC D12/86, 90-92, 114, 163, 169, 171-173,
D12/181, 190, 196, 197, 199, 400;
D17/1, 222; D26/28-36
CPC .. B62J 6/02; B62J 6/00; B60Q 3/0279; B60Q
3/104; B60Q 3/10408; B60Q 3/10466;
B60Q 3/12653; B60Q 3/128; F21S 48/00;
F21S 48/10; F21S 48/115; F21S 48/225;
F21S 48/1233; F21S 48/1266; F21S
48/1388; F21S 48/2268; F21V 21/04
See application file for complete search history.

(56) **References Cited**

U.S. PATENT DOCUMENTS

6,511,215 B2 * 1/2003 Hashigaya B60Q 1/0041
362/460
D560,292 S * 1/2008 Sato D26/28
D574,524 S * 8/2008 Tomatsu D26/28

D590,527 S * 4/2009 Pfeiffer D26/28
D593,231 S * 5/2009 Koman D26/28
D607,588 S * 1/2010 Woolley D26/28
D642,711 S * 8/2011 Schneider D26/28
D686,774 S * 7/2013 McCabe D26/139
D715,978 S * 10/2014 Loeb D26/28
D767,181 S * 9/2016 Lai D26/28
D787,720 S * 5/2017 Lai D26/28
D796,709 S * 9/2017 Lai D26/28
D802,808 S * 11/2017 Haeussinger D26/28
D812,791 S * 3/2018 Wu D26/28
D819,854 S * 6/2018 Lai D26/28
D849,291 S * 5/2019 Wu D26/28
2014/0192548 A1 * 7/2014 Kracker F21S 41/147
362/538

* cited by examiner

Primary Examiner — Philip S Hyder

Assistant Examiner — Cary M Robinson

(74) *Attorney, Agent, or Firm* — Lewis Roca Rothgerber
Christie LLP

(57) **CLAIM**

The ornamental design for a vehicle light, as shown and described.

DESCRIPTION

FIG. 1 is a perspective view of the vehicle light;
FIG. 2 is a front view thereof;
FIG. 3 is a rear view thereof;
FIG. 4 is a left side view thereof;
FIG. 5 is a right side view thereof;
FIG. 6 is a top view thereof; and,
FIG. 7 is a bottom view.

The broken lines in the drawings illustrate portions of the vehicle light in which the design is embodied that form no part of the claimed design.

1 Claim, 5 Drawing Sheets

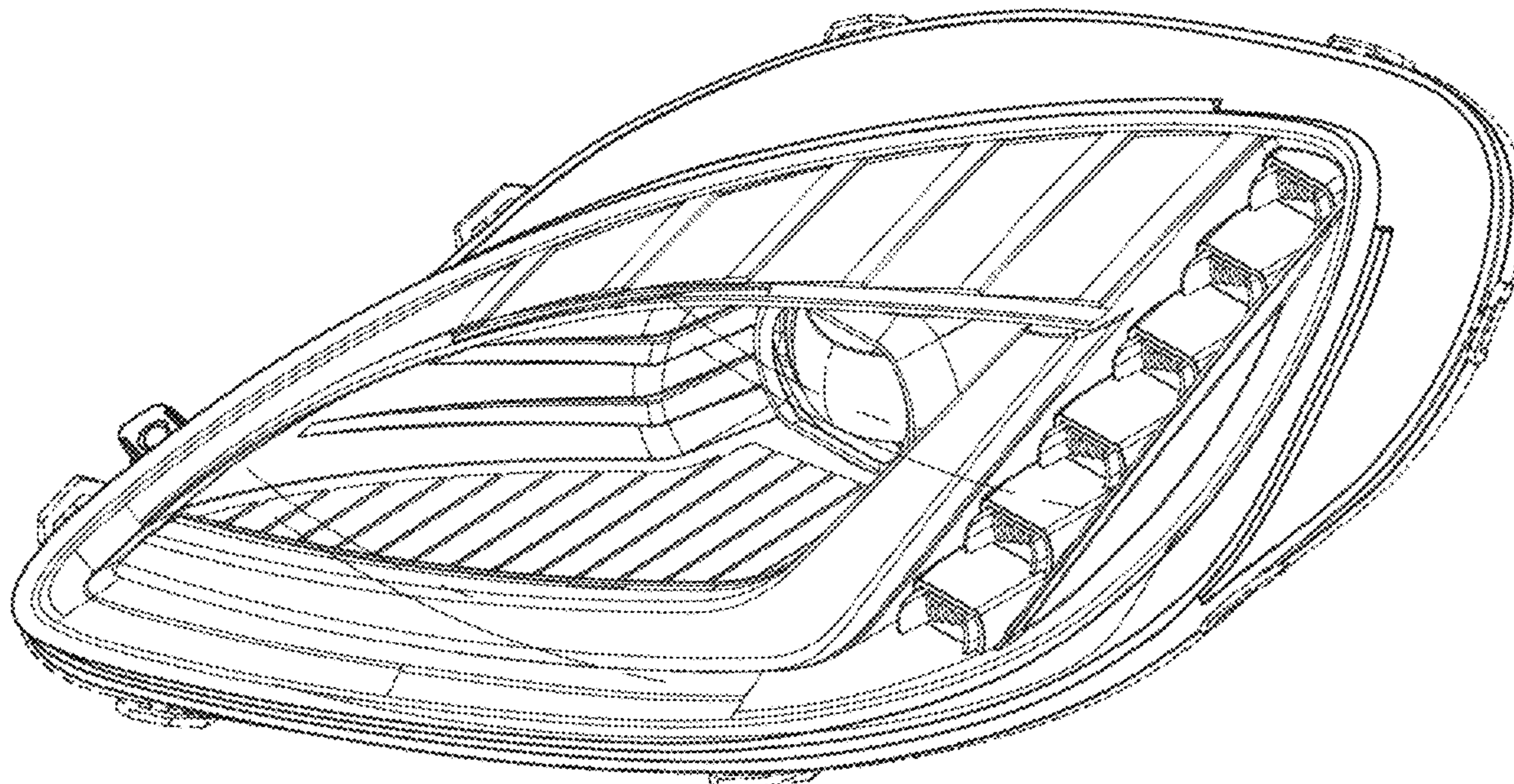
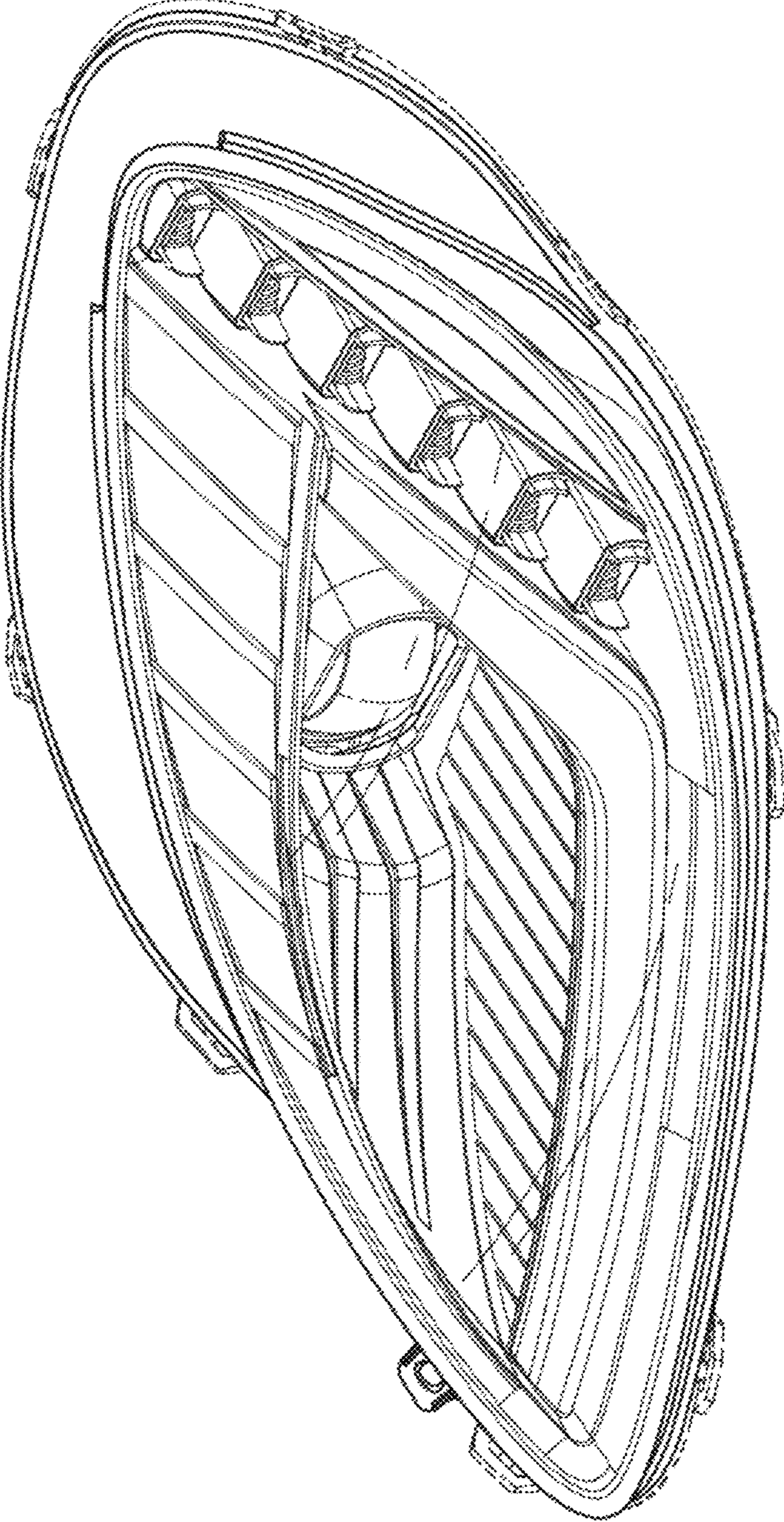


FIG. 1



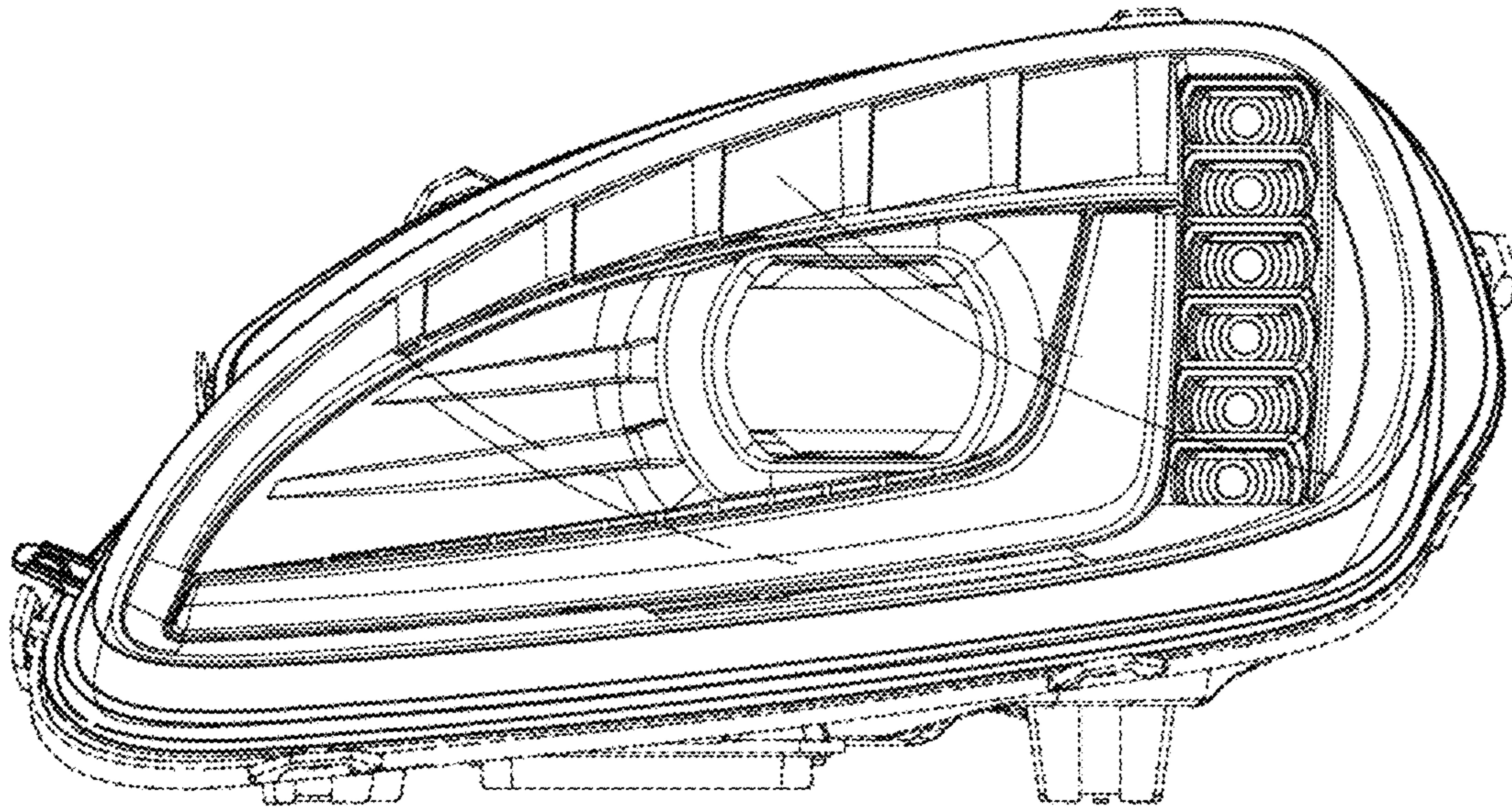


FIG. 2

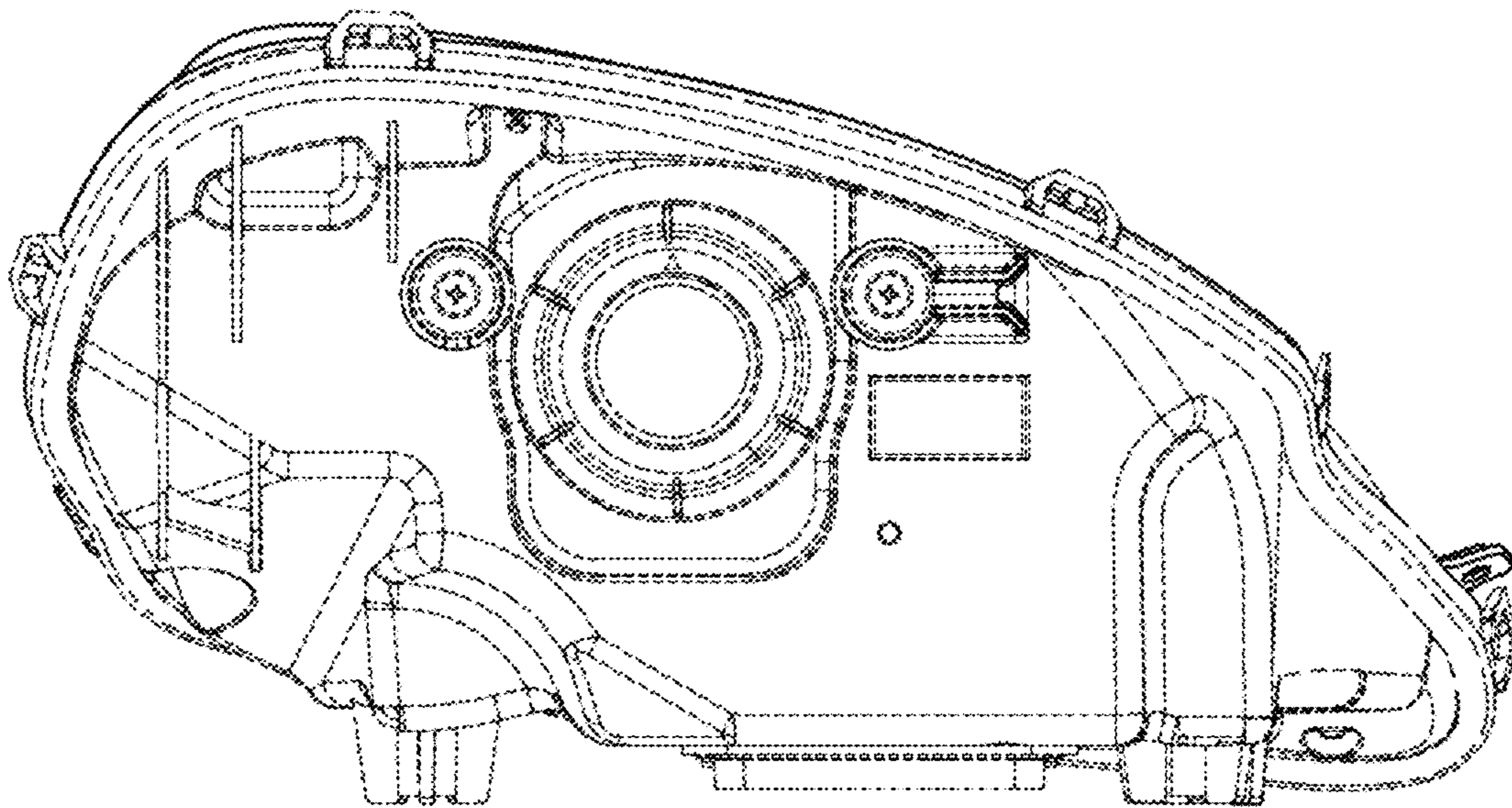


FIG. 3

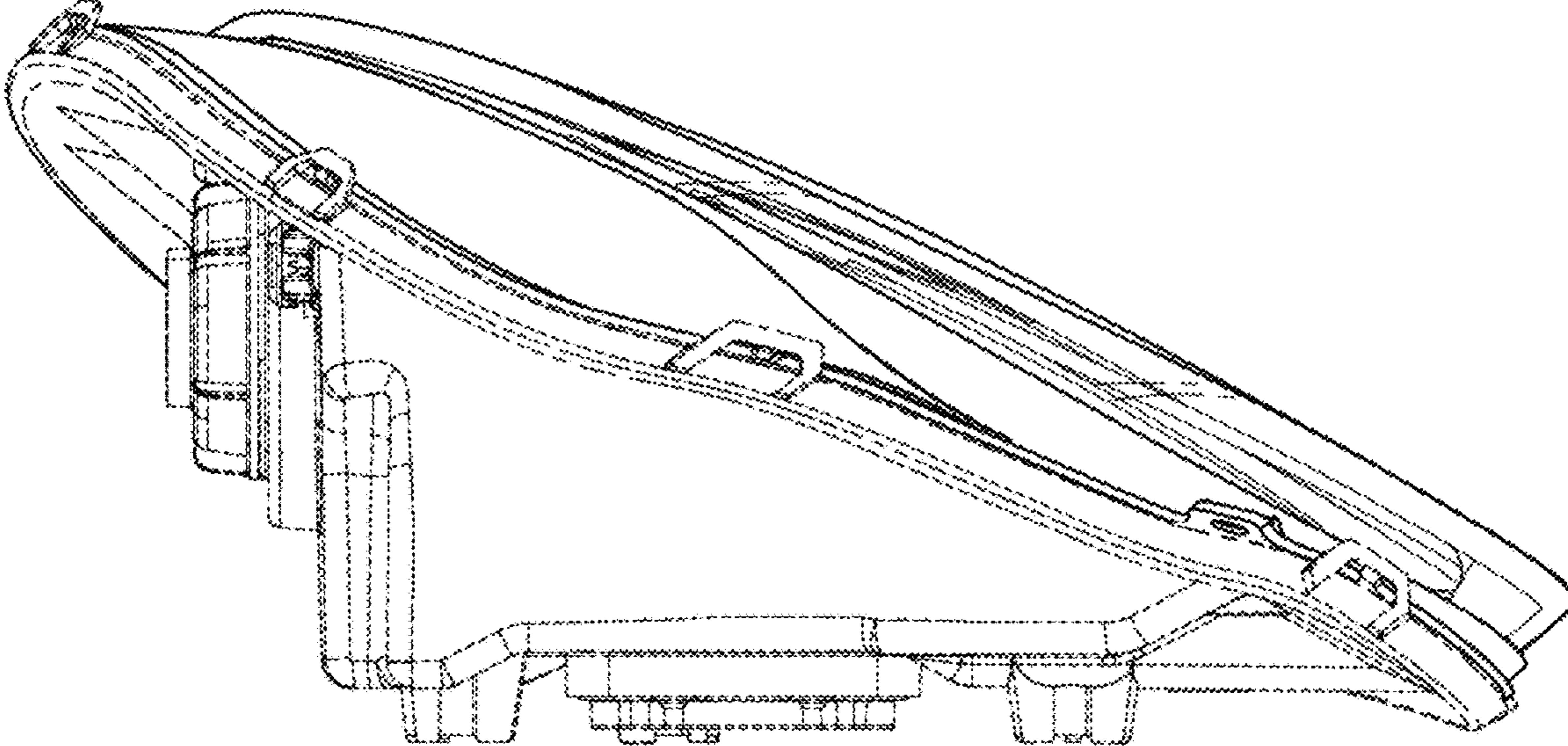


FIG. 4

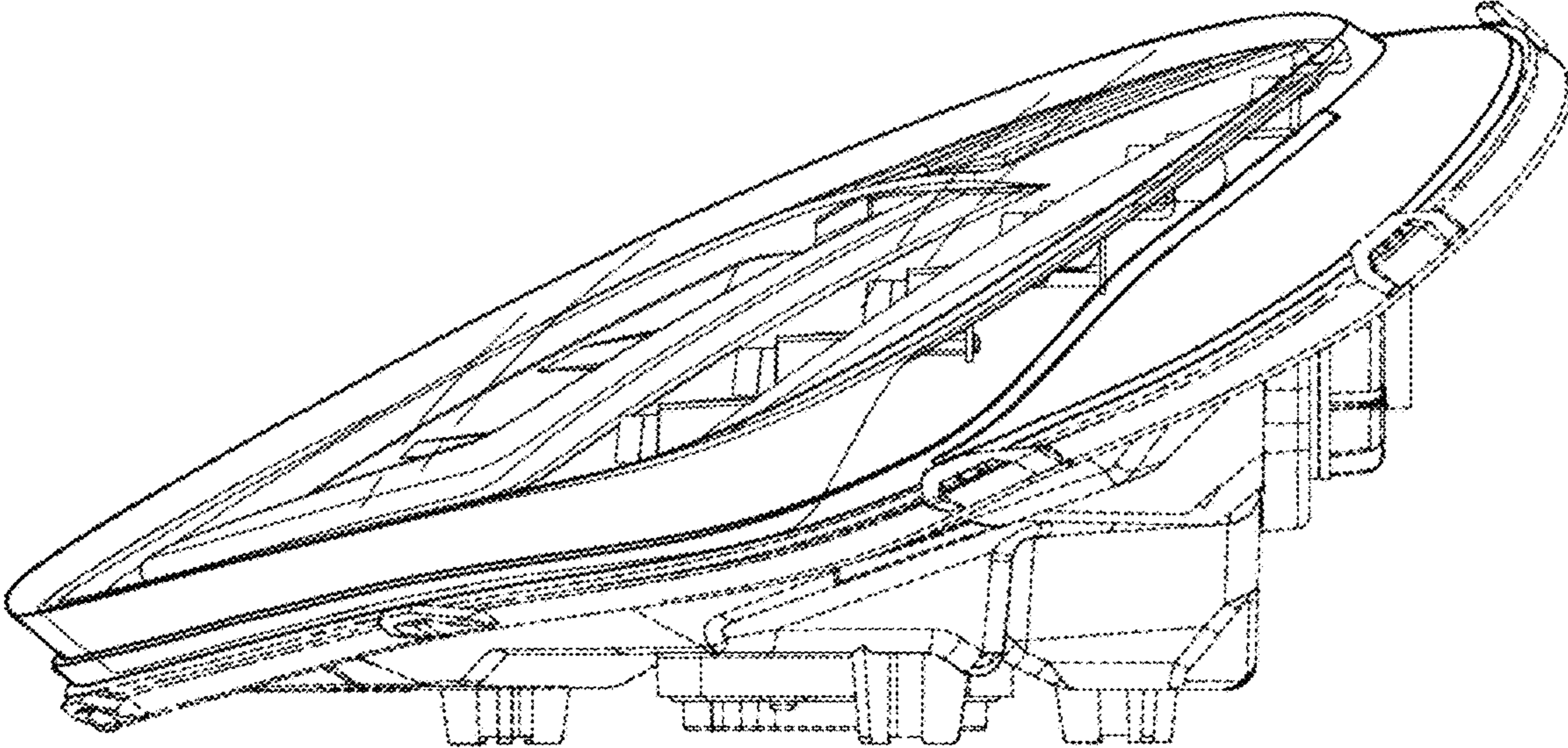


FIG. 5

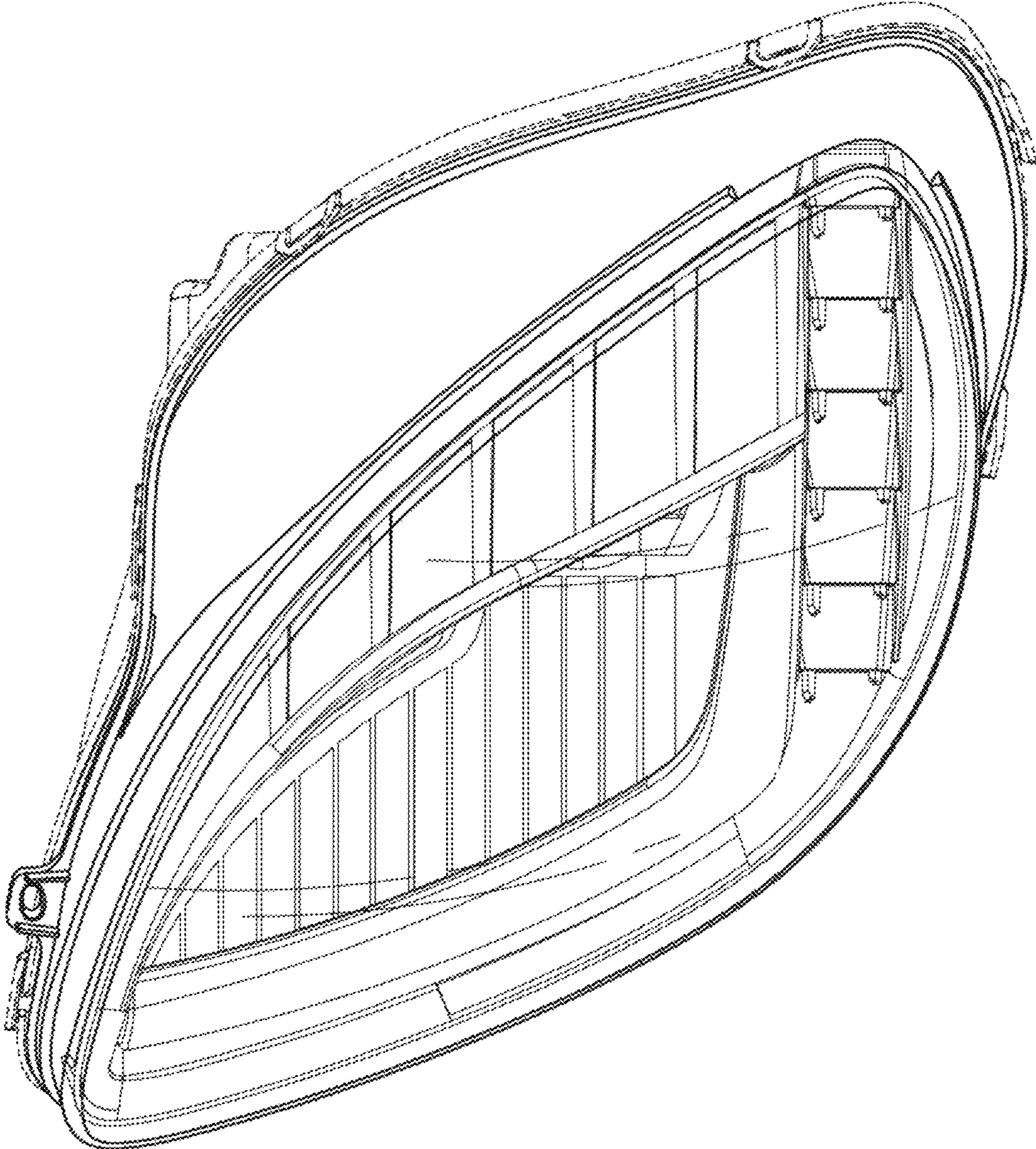


FIG. 6

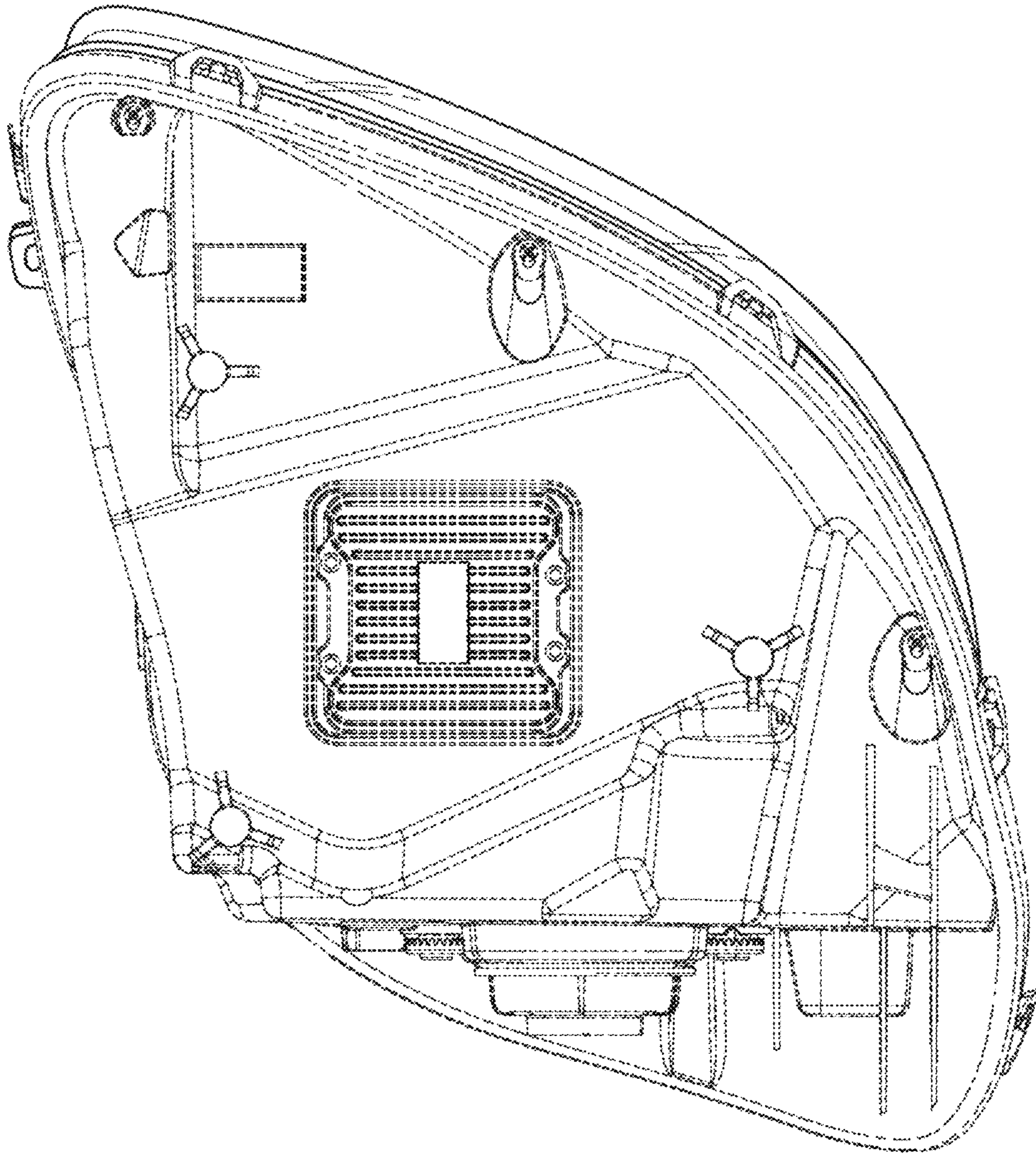


FIG. 7