



US00D882128S

(12) **United States Design Patent**
Zhu

(10) **Patent No.:** **US D882,128 S**

(45) **Date of Patent:** **** Apr. 21, 2020**

(54) **LIGHT FIXTURE**

(71) Applicant: **WSD LED INC**, Dallas, TX (US)

(72) Inventor: **Changyong Zhu**, Shenzhen (CN)

(**) Term: **15 Years**

(21) Appl. No.: **29/647,237**

(22) Filed: **May 10, 2018**

(51) **LOC (12) Cl.** **26-03**

(52) **U.S. Cl.**

USPC **D26/24**

(58) **Field of Classification Search**

USPC D26/24, 28, 36, 81, 83, 120-122;

D10/104.1, 106.1, 114.1, 114.2, 114.3

CPC F21V 1/00; F21V 1/02; F21V 1/04; F21V

1/14; F21V 3/00; F21V 3/02; F21V 5/00;

F21V 5/002; F21V 11/00; F21V 11/02;

F21V 11/06; F21K 9/23; F21K 9/232;

F21K 9/237

See application file for complete search history.

(56) **References Cited**

U.S. PATENT DOCUMENTS

D323,897 S	*	2/1992	Compton	D26/24
D429,696 S	*	8/2000	Taylor	D10/106.1
D535,434 S	*	1/2007	Fischer	D26/122
D615,234 S	*	5/2010	Oblak	D26/71
D665,940 S	*	8/2012	Lane	D26/71
D699,884 S	*	2/2014	Savani	D26/76

D714,994 S	*	10/2014	Deyaf	D26/120
D715,477 S	*	10/2014	Yu	D26/85
D728,142 S	*	4/2015	Dungan	D26/85
D747,527 S	*	1/2016	Guercio	D26/71
D780,361 S	*	2/2017	Lin	D26/72
D800,941 S	*	10/2017	Shundong	D26/72
D823,520 S	*	7/2018	Guercio	D26/85
D831,872 S	*	10/2018	Sinai	D26/71
D843,628 S	*	3/2019	Compton	D26/71
D845,531 S	*	4/2019	Pan	D26/71
D851,808 S	*	6/2019	Guercio	D26/85
D858,862 S	*	9/2019	Galloppa	D26/113
D868,345 S	*	11/2019	Ahrari	D26/118

* cited by examiner

Primary Examiner — Wan Laymon

Assistant Examiner — Clint A Samuel

(57) **CLAIM**

The ornamental design for a light fixture, as shown and described.

DESCRIPTION

FIG. 1 is a top perspective view of a light fixture, in accordance with the new design;

FIG. 2 is a bottom perspective view;

FIG. 3 is a front elevational view of;

FIG. 4 is a back elevational view of;

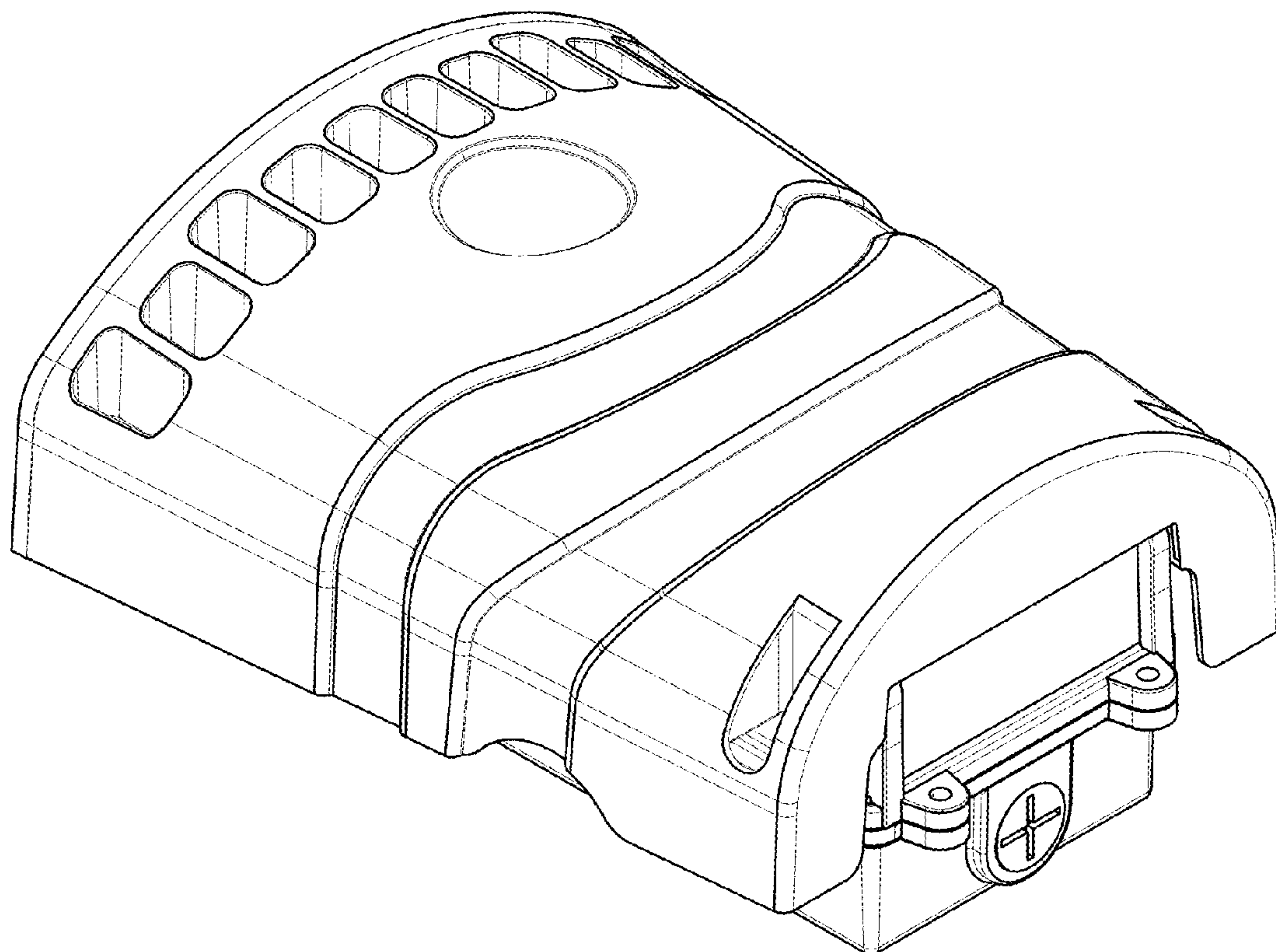
FIG. 5 is a left side view of;

FIG. 6 is a right side view;

FIG. 7 is a top view; and,

FIG. 8 is a bottom view.

1 Claim, 8 Drawing Sheets



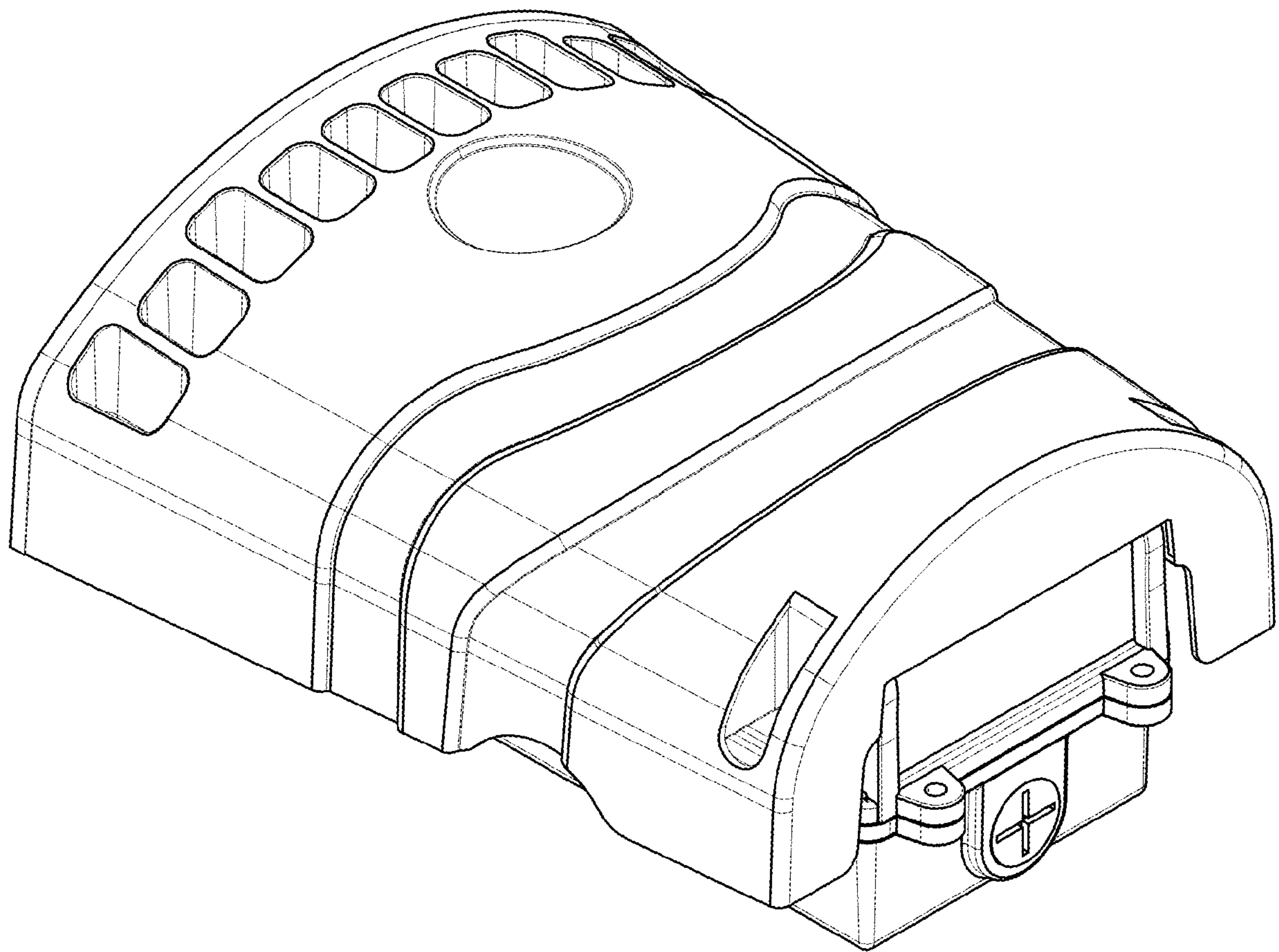


FIG. 1

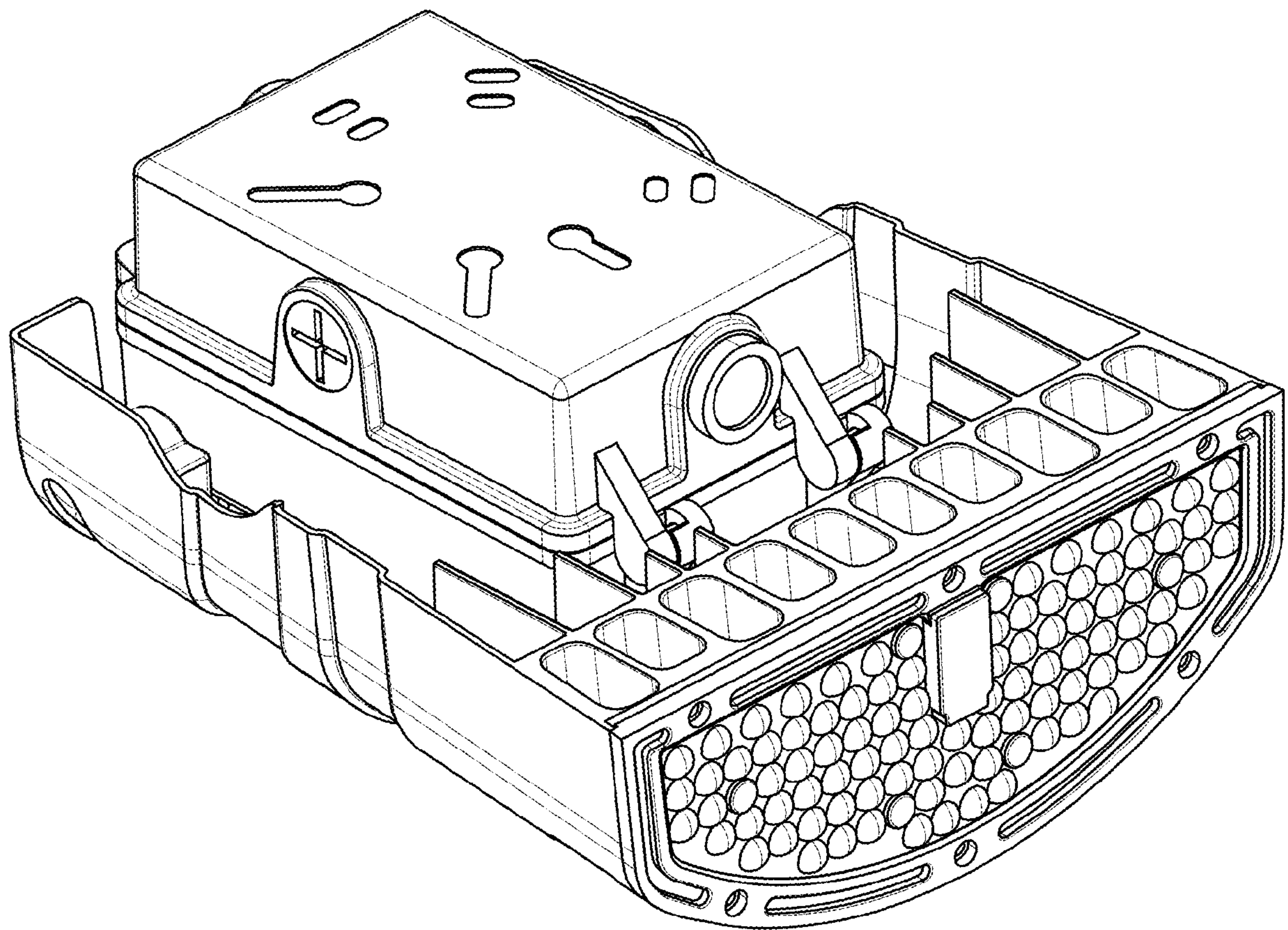


FIG. 2

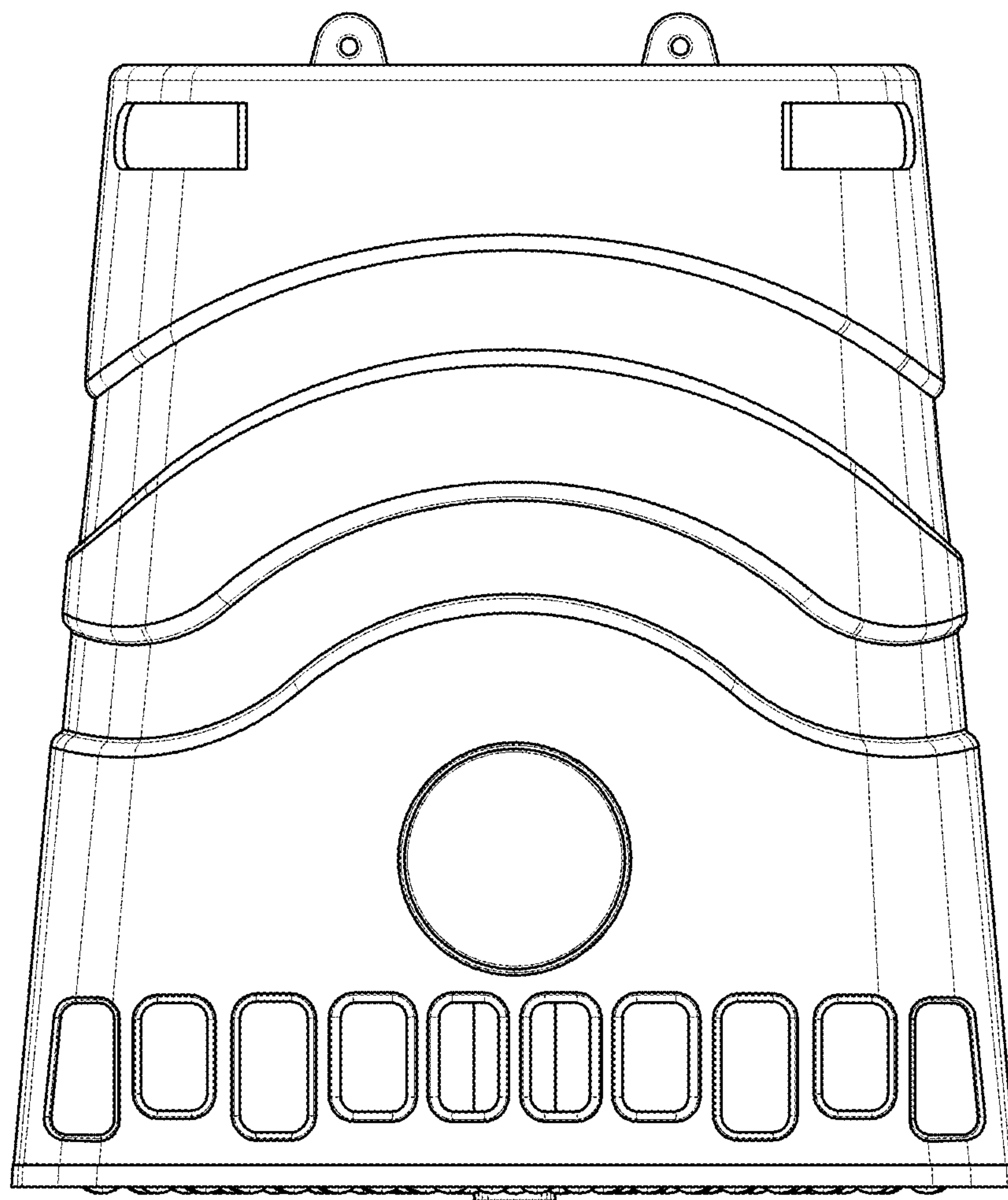


FIG. 3

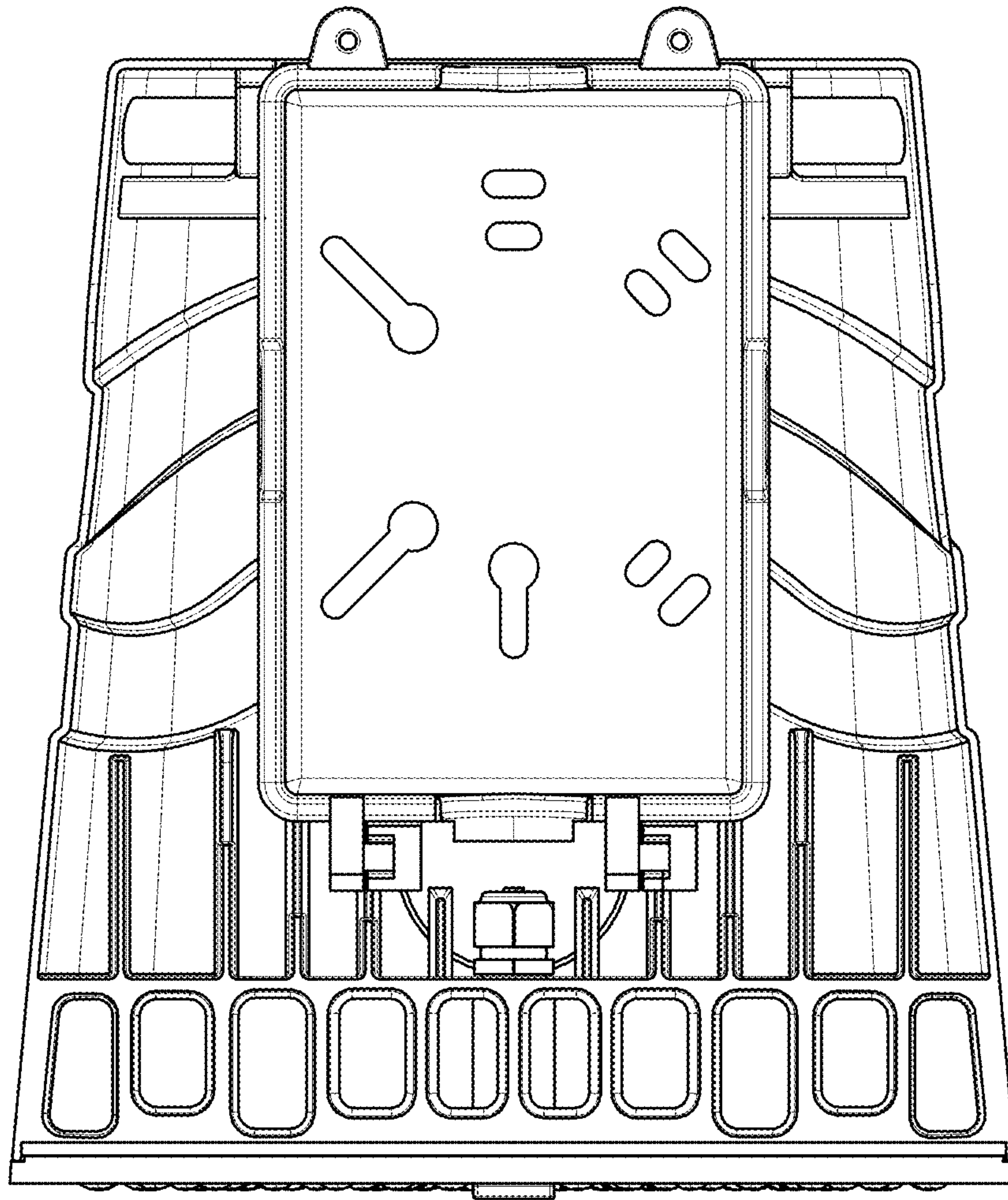


FIG. 4

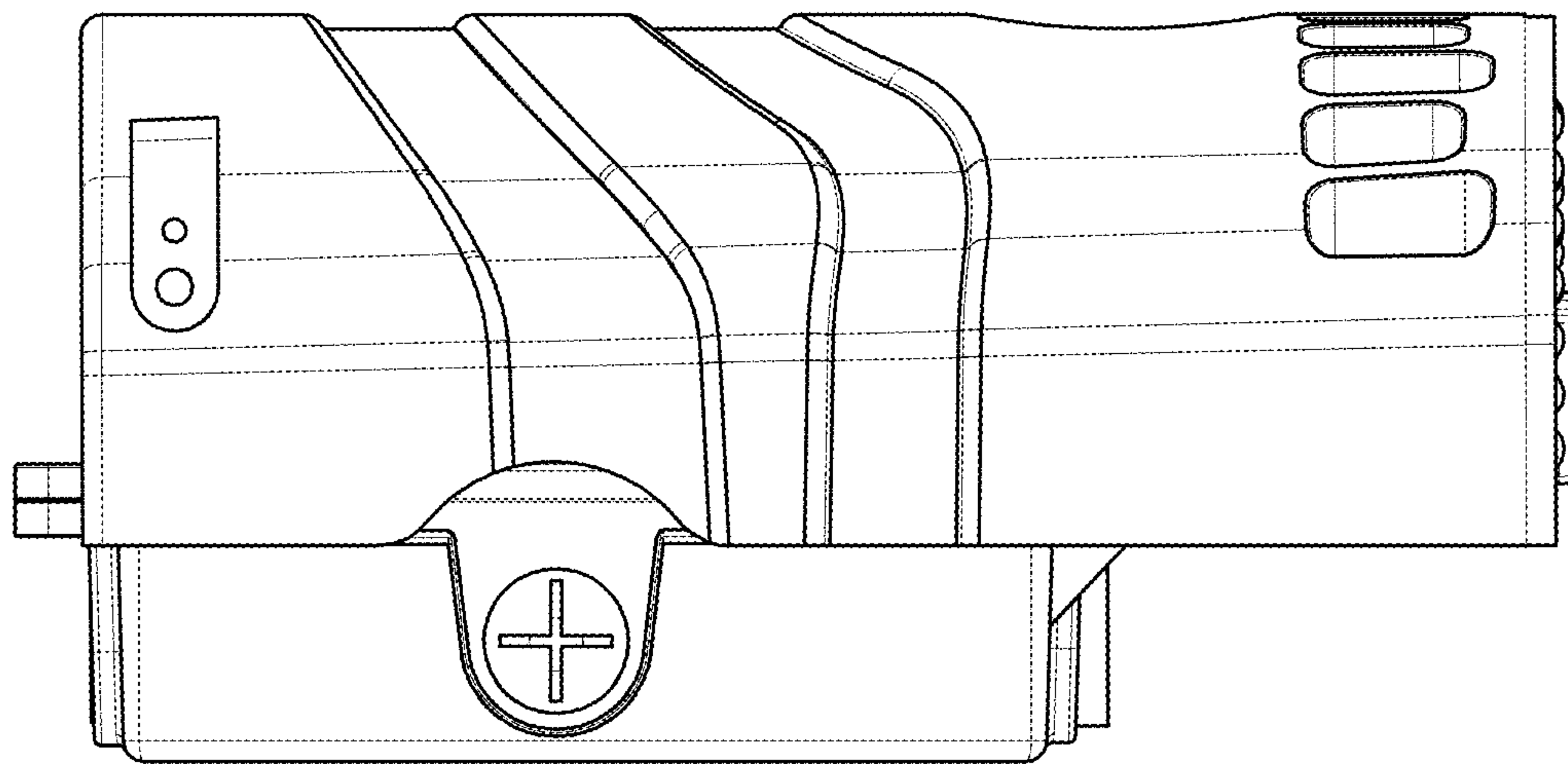


FIG. 5

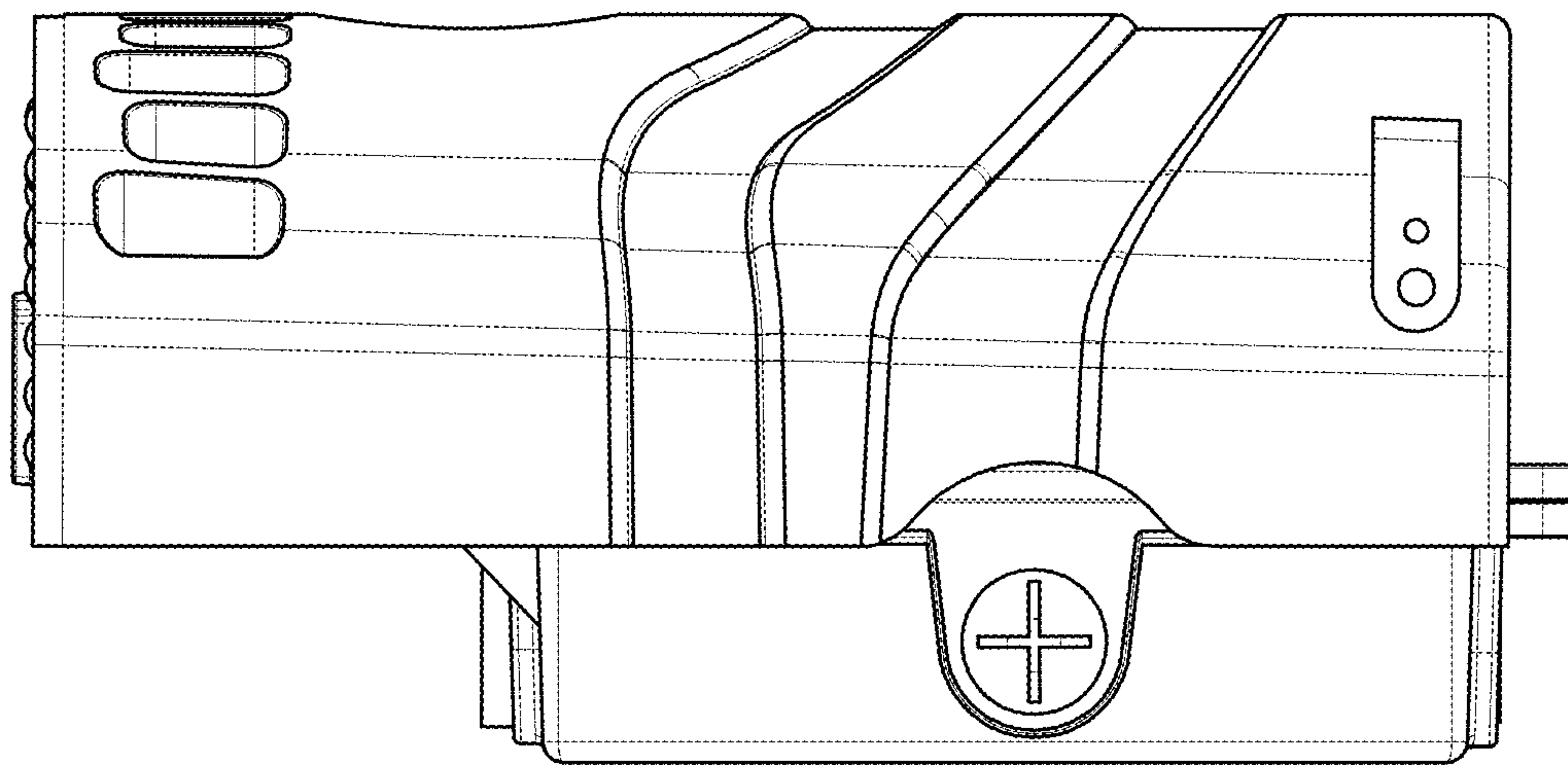


FIG. 6

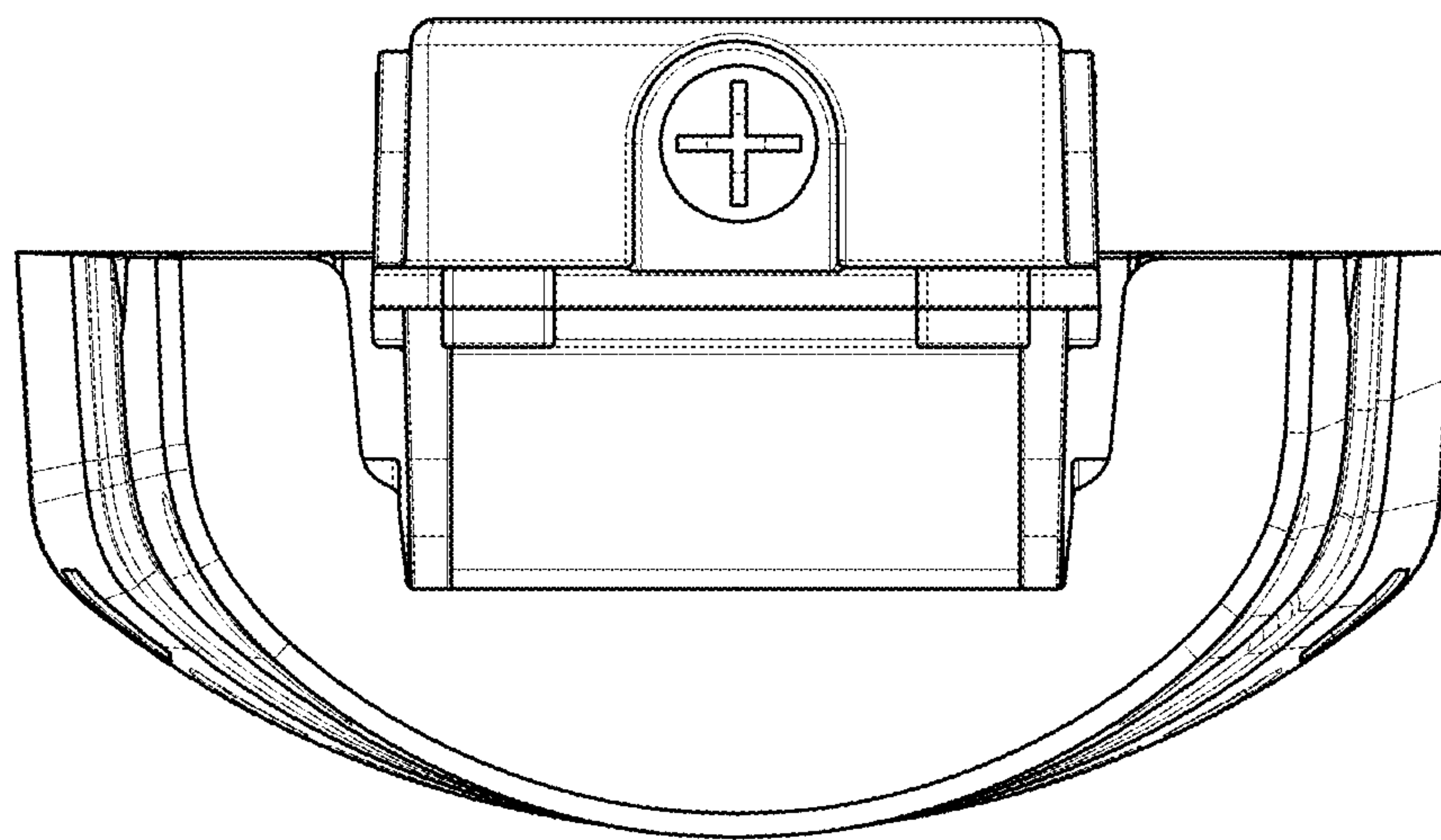


FIG. 7

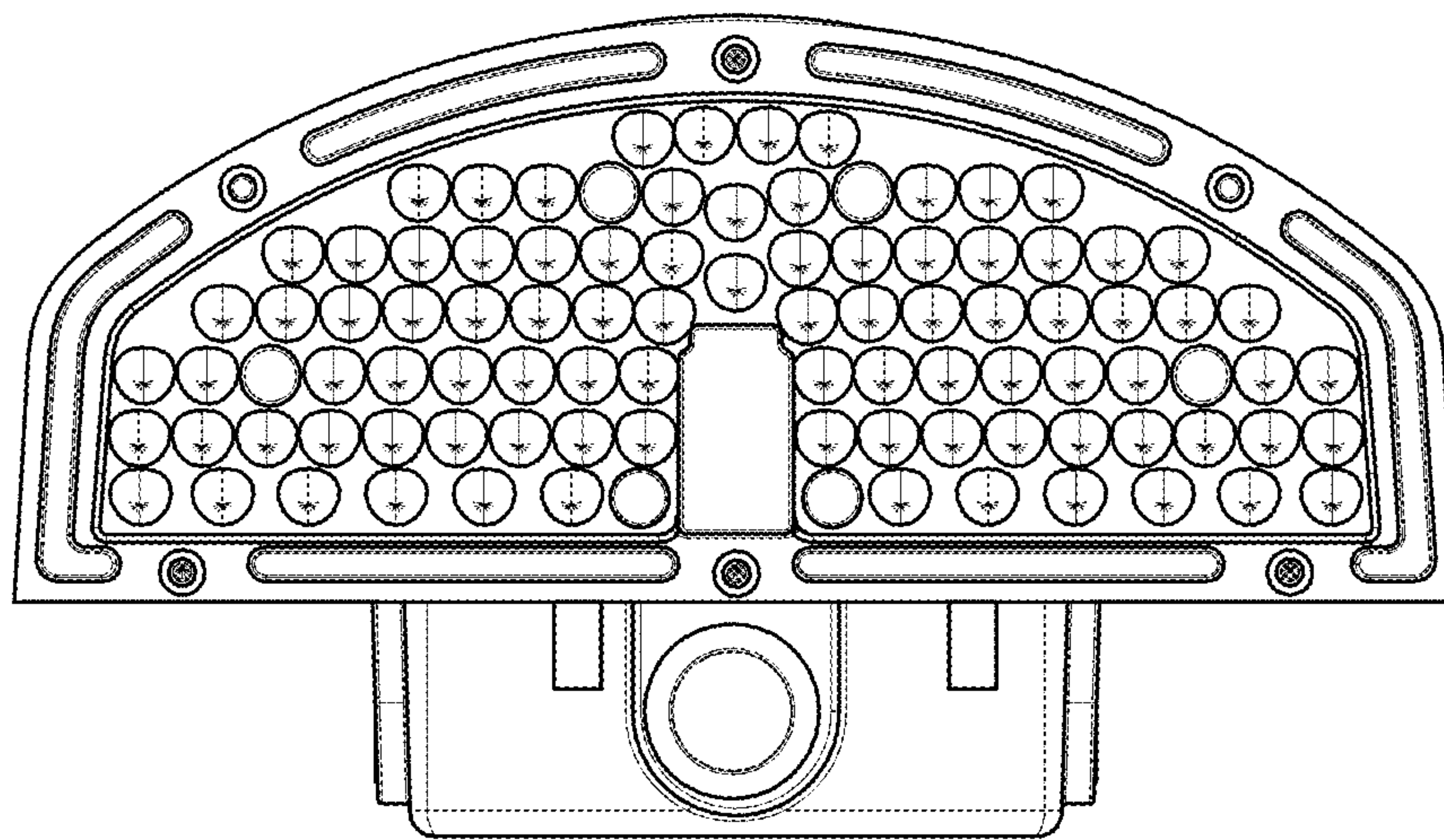


FIG. 8