



US00D882127S

(12) **United States Design Patent**
Cao

(10) **Patent No.:** **US D882,127 S**

(45) **Date of Patent:** **** Apr. 21, 2020**

(54) **MINER'S LAMP**

(71) Applicant: **Jingfeng Cao**, Guangdong Province
(CN)

(72) Inventor: **Jingfeng Cao**, Guangdong Province
(CN)

(**) Term: **15 Years**

(21) Appl. No.: **29/709,428**

(22) Filed: **Oct. 15, 2019**

(51) **LOC (12) Cl.** **26-01**

(52) **U.S. Cl.**
USPC **D26/2**

(58) **Field of Classification Search**
USPC D26/1-4
CPC H01R 5/00; H01R 13/46; H01R 13/514;
H01R 31/048; H01R 31/02; F21K
9/1375; F21K 9/135; F21K 9/13; F21K
9/00; F21V 5/00; H01J 19/54; H01J 5/00;
H01J 5/16; H01J 1/02; H01J 15/00; H01J
5/48; H01J 5/50

See application file for complete search history.

(56) **References Cited**

U.S. PATENT DOCUMENTS

D669,200 S * 10/2012 Chen D26/2
D683,867 S * 6/2013 Rioux D26/2

D731,680 S * 6/2015 Pu D26/1
D745,201 S 12/2015 Lee
D748,840 S * 2/2016 Lee D26/2
D819,839 S * 6/2018 Shalvi D26/2
D838,389 S * 1/2019 Chen D26/2
D861,926 S * 10/2019 Lin D26/2

* cited by examiner

Primary Examiner — Brian N. Vinson

(74) *Attorney, Agent, or Firm* — Jie Yang; ZANIP

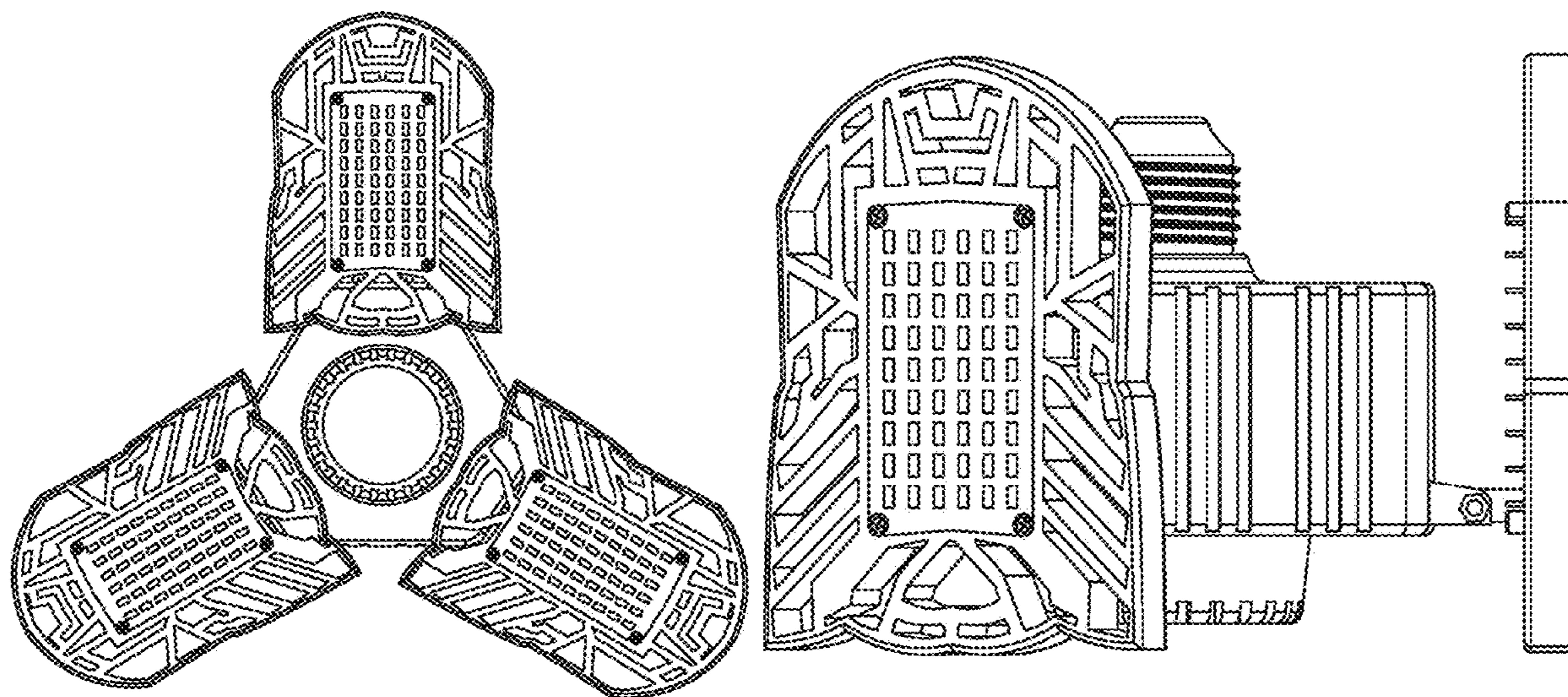
(57) **CLAIM**

The ornamental design for a miner's lamp, as shown and described.

DESCRIPTION

FIG. 1 is a top plan view of a miner's lamp, showing its unfolded status;
FIG. 2 is a bottom plan view thereof, showing its unfolded status;
FIG. 3 is a front elevational view thereof;
FIG. 4 is a rear elevational view thereof;
FIG. 5 is a left side elevational view thereof;
FIG. 6 is a right side elevational view thereof;
FIG. 7 is a top plan view thereof; and,
FIG. 8 is a bottom plan view thereof.

1 Claim, 8 Drawing Sheets



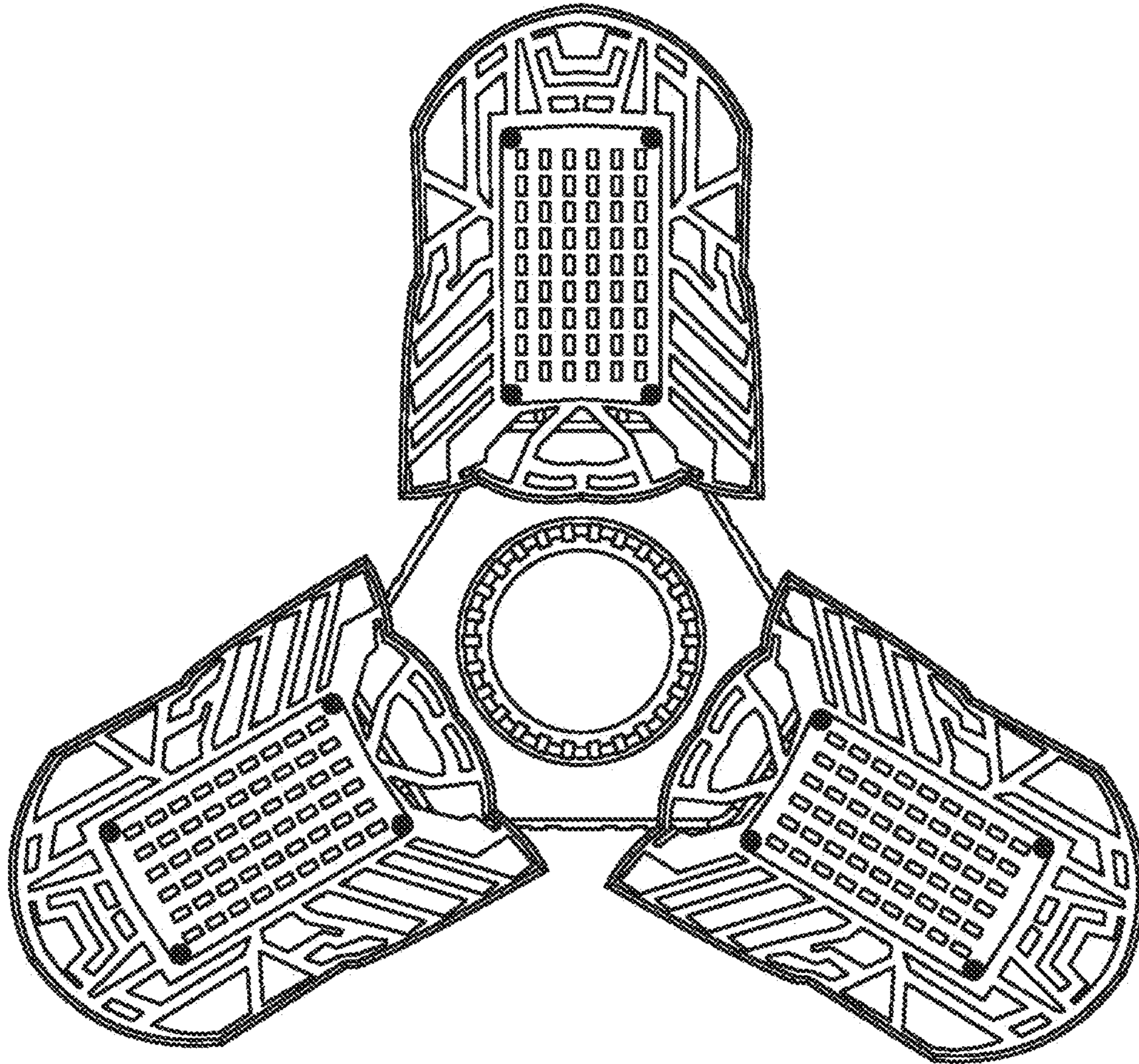


FIG. 1

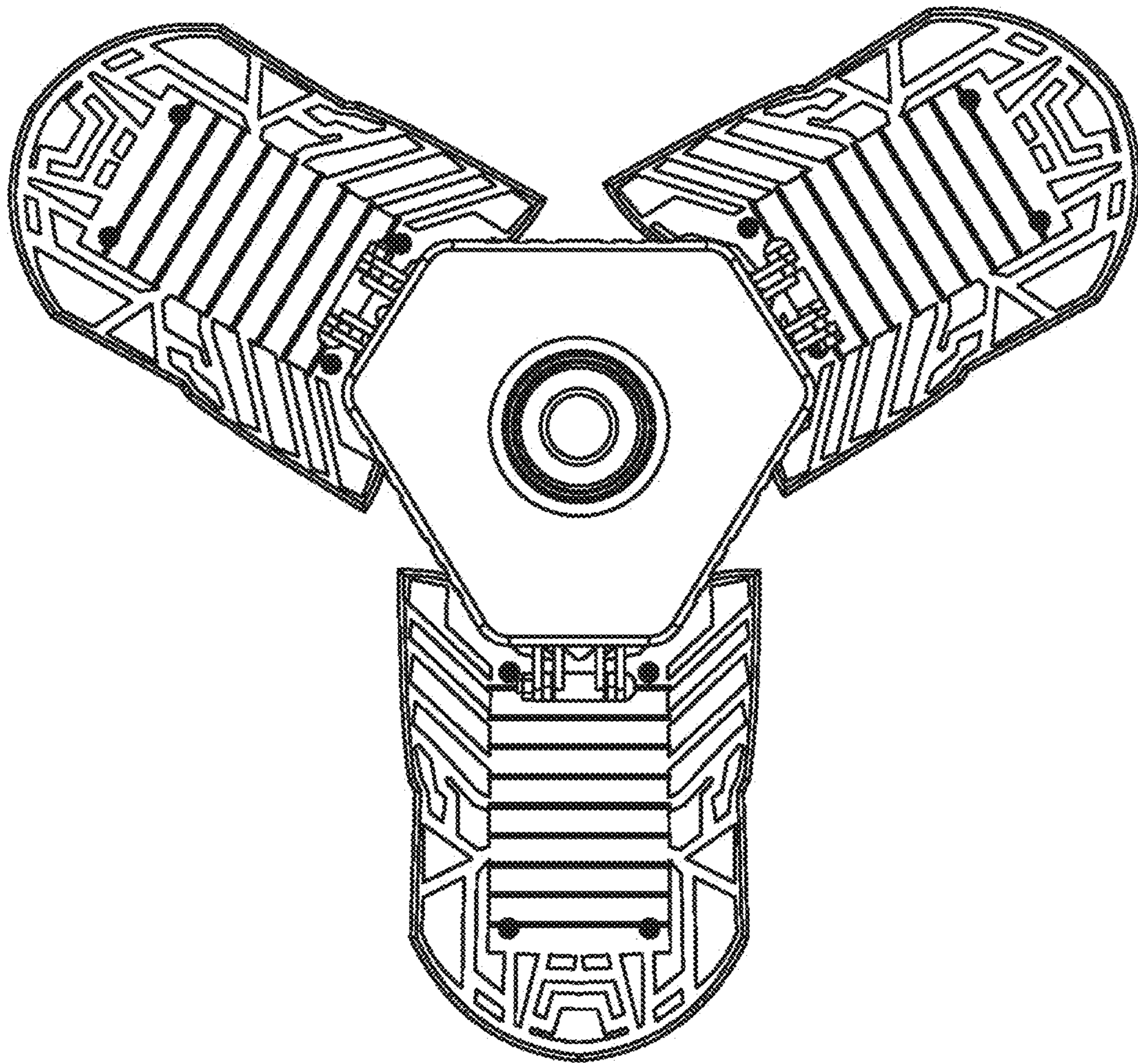


FIG. 2

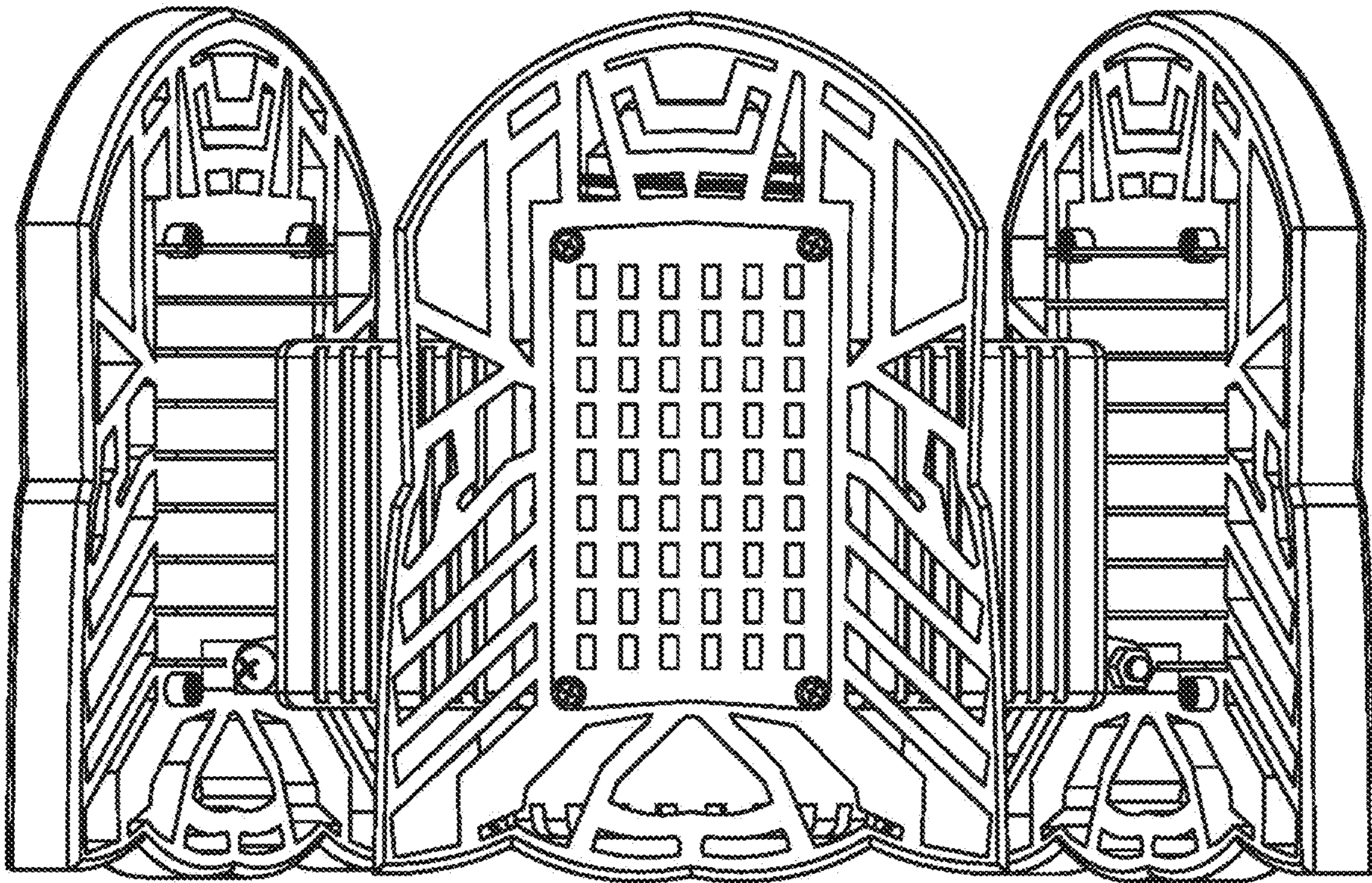


FIG. 3

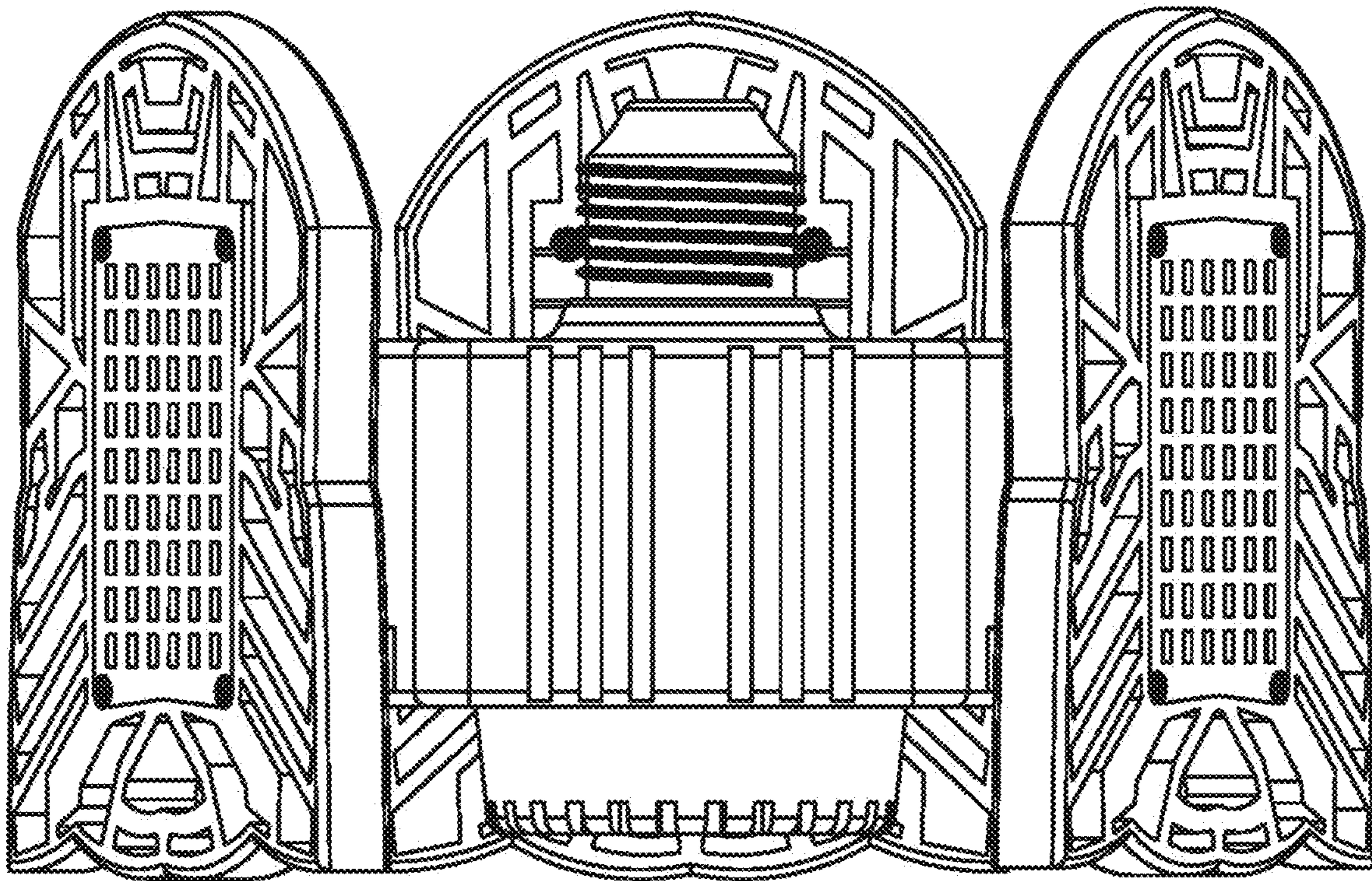


FIG. 4

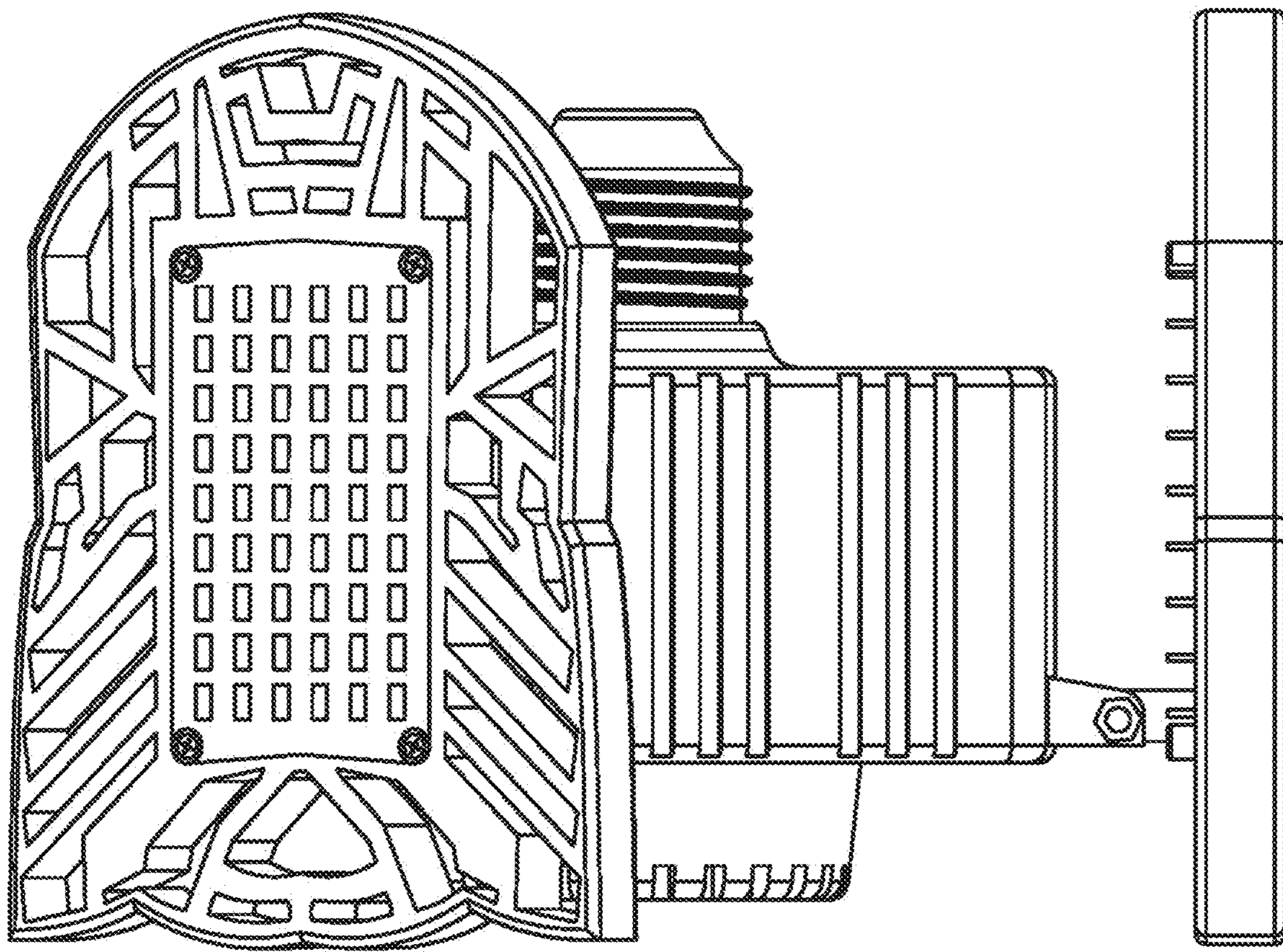


FIG. 5

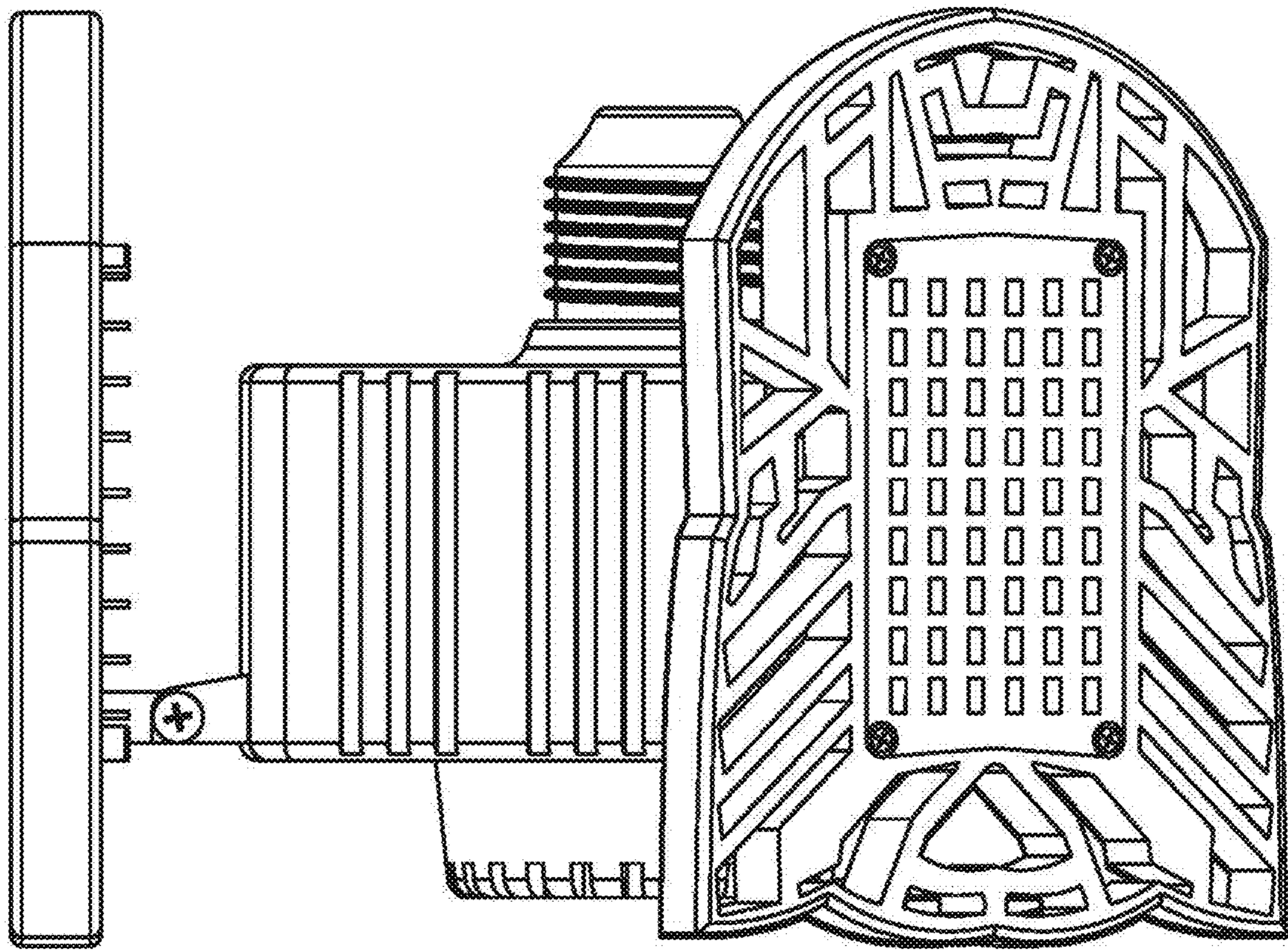


FIG. 6

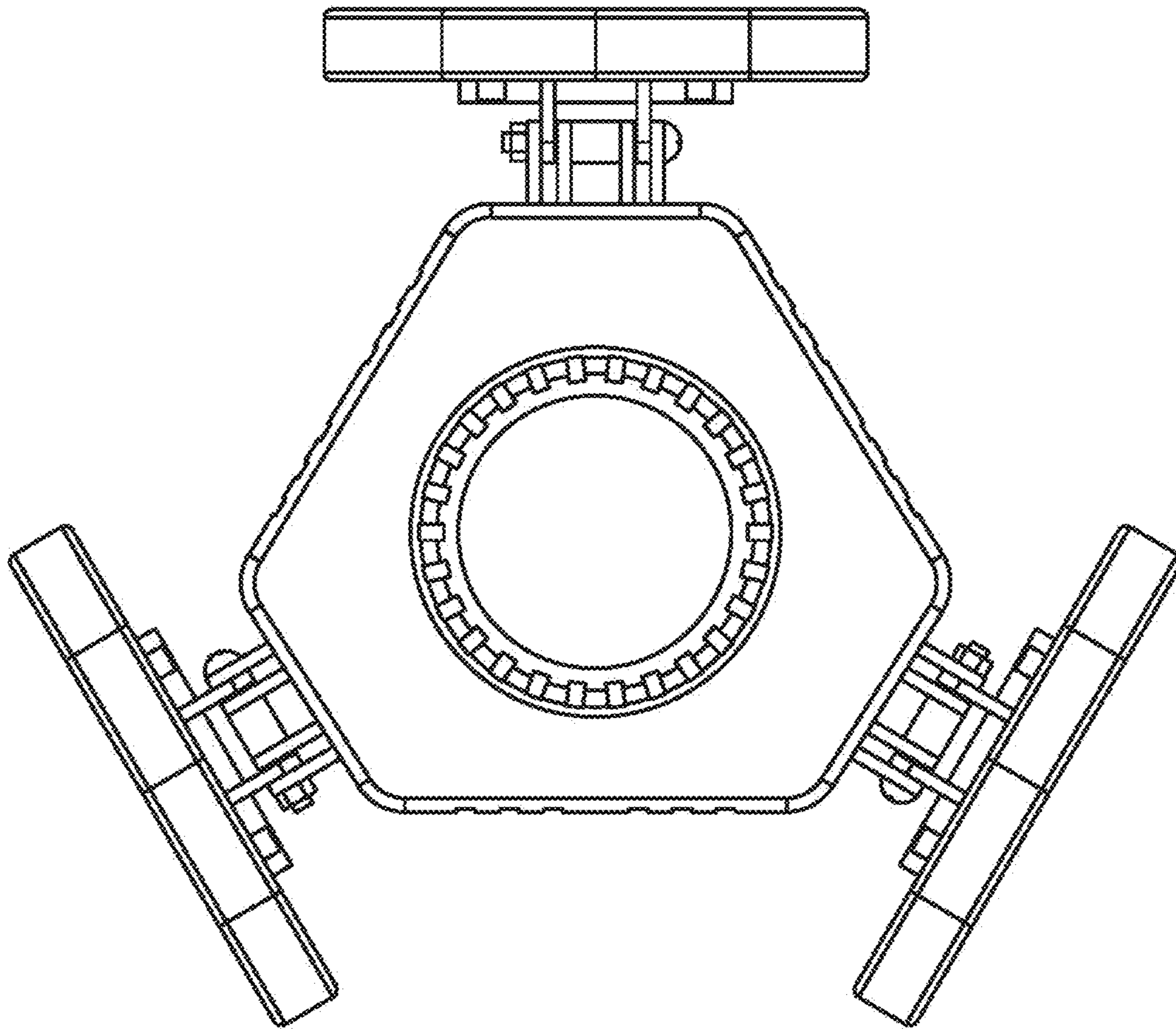


FIG. 7

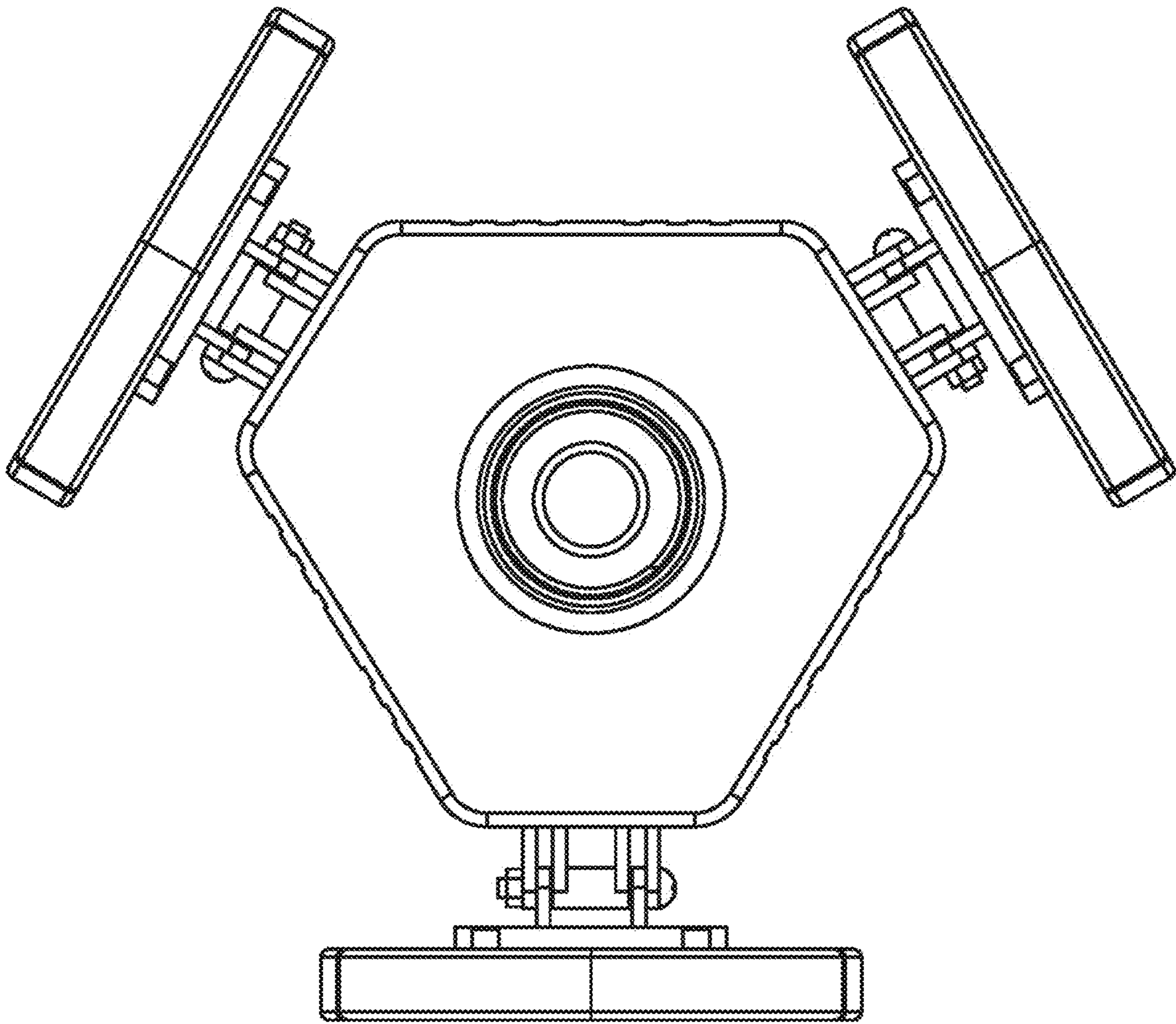


FIG. 8