



US00D882126S

(12) **United States Design Patent** (10) **Patent No.:** **US D882,126 S**
Amrine et al. (45) **Date of Patent:** **** Apr. 21, 2020**

(54) **LANDSCAPE EDGING**

2,193,425 A 3/1940 Lake
D130,420 S 11/1941 Schlatter
D151,022 S 9/1948 Weber et al.
(Continued)

(71) Applicant: **Dimex, LLC**, Marietta, OH (US)

(72) Inventors: **Patrick Amrine**, Williamstown, WV (US); **Andy Antil**, Pickerington, OH (US); **Lyle A. James**, Kettering, OH (US); **Emily C. Martin**, Williamstown, WV (US); **Matthew T. Miller**, Marietta, OH (US); **Kevin R. Morey**, Marietta, OH (US)

FOREIGN PATENT DOCUMENTS

GB 480927 A 3/1938
GB 2369979 A 6/2002
(Continued)

OTHER PUBLICATIONS

Dimex EdgePro Website. <http://www.edgepro.com/hardscape/edgepro-h.sub.-edge.html> Found Jul. 15, 2016.
(Continued)

Primary Examiner — L. Martinez
(74) *Attorney, Agent, or Firm* — Wood Herron & Evans LLP

(73) Assignee: **Dimex, LLC**, Marietta, OH (US)

(**) Term: **15 Years**

(21) Appl. No.: **29/643,055**

(22) Filed: **Apr. 4, 2018**

Related U.S. Application Data

(63) Continuation-in-part of application No. 29/635,740, filed on Feb. 2, 2018.

(51) **LOC (12) Cl.** **25-01**

(52) **U.S. Cl.**
USPC **D25/164**

(58) **Field of Classification Search**
USPC D25/136, 137, 164, 199
CPC A01G 9/00; A01G 9/28; Y10S 30/05
See application file for complete search history.

(56) **References Cited**

U.S. PATENT DOCUMENTS

268,441 A 12/1882 Tunica
457,886 A 8/1891 Landis
992,529 A 5/1911 Abraham
1,666,613 A 4/1928 Woods
1,843,108 A 2/1932 Clayden
1,997,876 A 4/1935 Sheldon
2,163,613 A 6/1939 Manofsky
2,164,681 A 7/1939 Fould

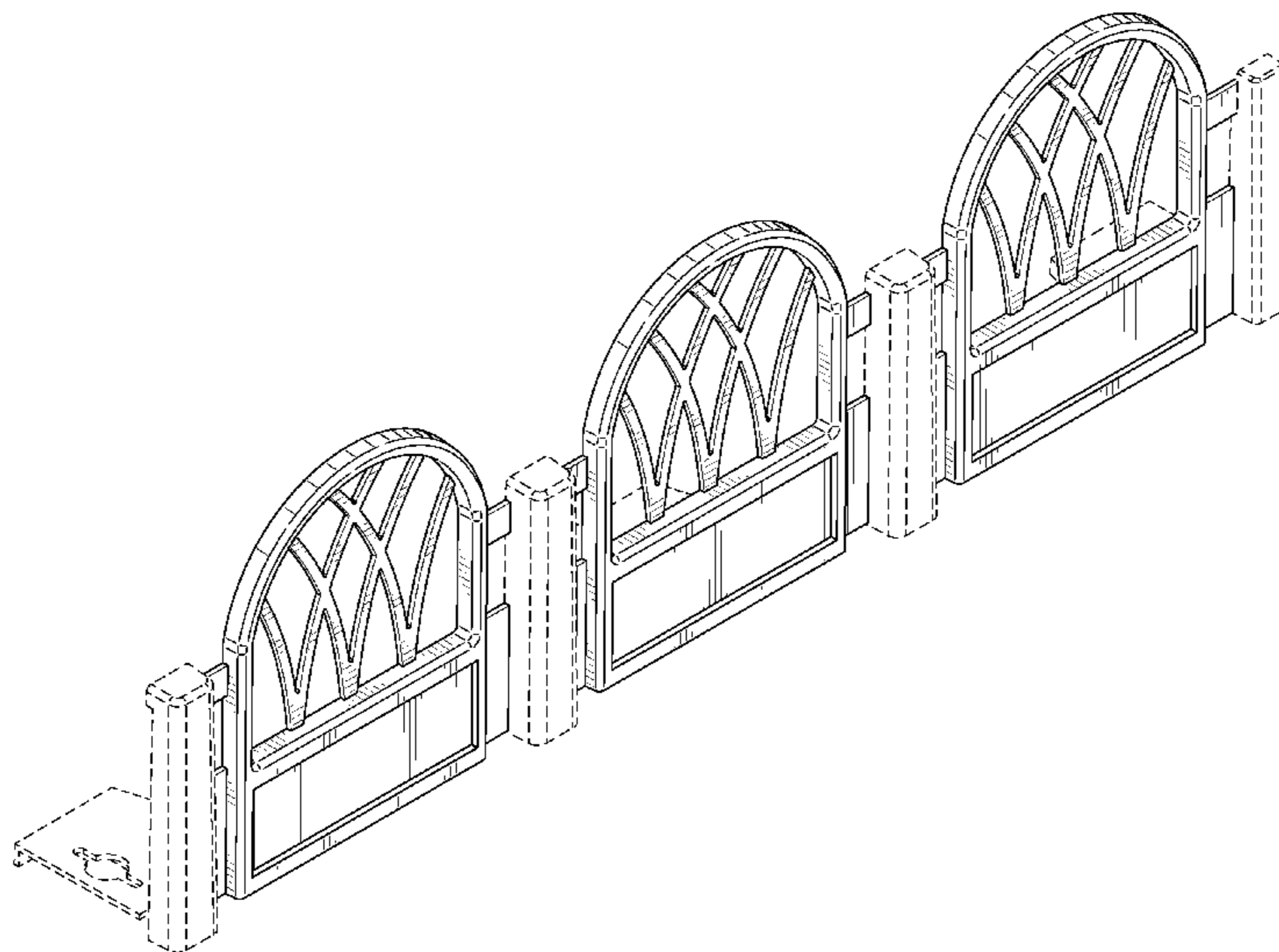
(57) **CLAIM**

The ornamental design for a landscape edging, as shown and described.

DESCRIPTION

FIG. 1 is a front isometric view of a landscape edging, showing our new design;
FIG. 2 is a rear isometric view thereof;
FIG. 3 is a front elevation view thereof;
FIG. 4 is a rear elevation view thereof;
FIG. 5 is a left-side elevation view thereof;
FIG. 6 is a right-side elevation view thereof;
FIG. 7 is a top plan view thereof;
FIG. 8 is a bottom plan view thereof; and,
FIG. 9 is a top plan view with the invention shown in an arcuate configuration.
The broken lines in the drawings illustrate portions of the landscape edging that form no part of the claimed design.

1 Claim, 6 Drawing Sheets



(56)

References Cited

U.S. PATENT DOCUMENTS

D178,659 S	9/1956	Hield	D411,317 S *	6/1999	Gay	D25/164
2,809,809 A	10/1957	Johnston	D413,397 S	8/1999	Benjamin	
2,877,600 A	3/1959	Slate	5,930,947 A	8/1999	Eckhoff	
D185,236 S	5/1959	Reese	5,941,018 A	8/1999	Herrema	
3,170,201 A	2/1965	Nofziger	5,961,101 A	10/1999	Anticole	
3,222,841 A	12/1965	Lipof	D416,096 S *	11/1999	Tisbo	D25/164
3,314,193 A	4/1967	Chancellor	D416,339 S *	11/1999	Shaw	D25/164
3,332,197 A	7/1967	Hinkle	6,012,254 A	1/2000	Gaston	
3,378,949 A	4/1968	Dorris	6,030,144 A	2/2000	Cannella	
3,484,989 A	12/1969	Lazinsky	6,038,811 A	3/2000	Conway	
3,520,082 A	7/1970	Smith	D424,714 S	5/2000	Hale	
3,604,164 A	9/1971	Mason	D426,322 S *	6/2000	Anderson	D25/164
3,619,944 A	11/1971	Matvey	6,085,458 A	7/2000	Gau	
3,728,837 A	4/1973	Kiefer, Jr.	6,099,201 A	8/2000	Abbrancati	
3,788,001 A	1/1974	Balfanz, Jr.	6,102,374 A *	8/2000	Macri	A01G 9/28 256/24
3,815,311 A	6/1974	Nisula et al.	6,108,969 A	8/2000	Danna et al.	
3,957,383 A	5/1976	Fredericks	D430,683 S *	9/2000	van Rhienen	D25/164
4,182,072 A	1/1980	Much	6,138,406 A *	10/2000	Clark, Jr.	A01G 9/28 47/33
4,202,145 A	5/1980	Coulter et al.	D433,291 S	11/2000	Shamoon	
D257,064 S	9/1980	Kobee	6,226,934 B1	5/2001	Gaston	
4,349,596 A	9/1982	Hendrix	D448,498 S *	9/2001	Hulett	D25/164
4,628,632 A	12/1986	Zwier	D448,857 S *	10/2001	Staten	D25/164
4,744,194 A	5/1988	Yasuyoshi	6,324,782 B1	12/2001	Gaston	
4,761,923 A	8/1988	Reum et al.	6,324,783 B1	12/2001	McIntyre et al.	
4,809,459 A	3/1989	Brylla et al.	D453,578 S	2/2002	Olson	
4,824,068 A	4/1989	Ferland	6,345,465 B1	2/2002	Allen et al.	
4,858,379 A	8/1989	West	6,379,078 B1	4/2002	Zwier	
4,863,307 A	9/1989	Jones	D457,251 S *	5/2002	Conde	D25/164
4,905,442 A	3/1990	Daniels	D457,973 S	5/2002	Conde	
4,907,783 A	3/1990	Fisk et al.	D462,788 S	9/2002	Thornton et al.	
4,987,717 A	1/1991	Dameron, Jr.	D463,581 S	9/2002	Mann	
5,020,272 A	6/1991	Herrema et al.	D463,582 S	9/2002	Conde	
5,048,241 A	9/1991	Gavin, Jr.	6,449,897 B1	9/2002	Gaston	
5,117,583 A	6/1992	Reum	6,485,226 B1	11/2002	Harger	
D329,707 S	9/1992	Embree et al.	D467,015 S	12/2002	O'Brien	
D329,709 S	9/1992	Strobl, Jr.	D471,990 S *	3/2003	Riccobene	A01G 9/28 D25/113
5,152,507 A	10/1992	Lee	6,568,126 B2	5/2003	Womack	
5,157,867 A	10/1992	Fritch	6,591,547 B1 *	7/2003	Staten	A01G 9/28 47/33
5,212,917 A	5/1993	Kurtz et al.	6,619,565 B1	9/2003	Abbott	
5,236,179 A *	8/1993	Schropp	6,629,383 B2	10/2003	Allen et al.	
			6,643,977 B1	11/2003	Drysdale	
5,240,343 A	8/1993	Strobl, Jr.	D489,465 S	5/2004	Allsopp	
D339,199 S	9/1993	Rynberk	6,754,989 B2	6/2004	Eicher	
5,301,461 A	4/1994	Zwier	6,779,297 B2	8/2004	Conde	
5,375,941 A	12/1994	Strobl, Jr.	7,051,477 B2	5/2006	Bumham	
5,379,546 A	1/1995	Popp	D541,952 S	5/2007	Keeley et al.	
5,414,956 A *	5/1995	Kheradpir	D543,286 S	5/2007	Keeley et al.	
			D548,368 S	8/2007	Hale et al.	
5,421,118 A	6/1995	Bauer	D586,005 S	2/2009	Schumaker et al.	
5,426,888 A *	6/1995	Gnaedig	D606,670 S	12/2009	Keeley	
			D612,072 S	3/2010	Keeley	
D361,853 S *	8/1995	Northrop	D613,430 S *	4/2010	Perotti	D25/164
5,442,877 A	8/1995	Lindhal	D624,213 S *	9/2010	Perotti	D25/164
5,445,362 A *	8/1995	Reppert	7,854,424 B1 *	12/2010	Cook	A01G 9/28 256/24
			D733,936 S	7/2015	Amrine et al.	
D363,788 S	10/1995	Caley	D748,822 S	2/2016	Amrine et al.	
D363,801 S	10/1995	Nauseda	D748,823 S	2/2016	Amrine et al.	
D366,191 S	1/1996	Gay	D773,074 S	11/2016	Amrine et al.	
5,501,036 A	3/1996	Torp, Jr. et al.	D776,834 S	1/2017	Amrine et al.	
D368,969 S	4/1996	Davies	D797,320 S *	9/2017	Amrine	D25/164
D372,547 S	8/1996	Sjodin	D800,352 S *	10/2017	Amrine	D25/164
D373,205 S	8/1996	Caley	2001/0045056 A1 *	11/2001	Hulett	A01G 9/28 47/33
5,544,445 A	8/1996	Mantilla	2002/0095862 A1 *	7/2002	Conde	A01G 9/28 47/33
D378,857 S	4/1997	Hale	2002/0139045 A1	10/2002	Womack	
5,640,801 A	6/1997	Rynberk	2003/0126807 A1	7/2003	Daniels et al.	
D385,050 S *	10/1997	Gay	2003/0188478 A1	10/2003	Womack	
D391,379 S *	2/1998	Koch	2005/0028438 A1	2/2005	Campana	
D393,164 S	4/1998	Russell et al.				
5,771,643 A	6/1998	Parker				
5,772,357 A	6/1998	Evans				
5,826,372 A *	10/1998	Parsons				
D400,985 S	11/1998	Risi				
D408,558 S	4/1999	Levy				

(56)

References Cited

U.S. PATENT DOCUMENTS

2010/0186293 A1* 7/2010 Flynn A01G 9/28
47/33
2013/0031848 A1* 2/2013 Perotti A01G 9/28
52/102
2016/0174466 A1 6/2016 Stoltzfus et al.

FOREIGN PATENT DOCUMENTS

JP 7255277 10/1995
JP 2002253060 A 9/2002
JP 3490497 B2 1/2004

OTHER PUBLICATIONS

Valley View Industries Website. Diamond-LoK paver edgings.
<http://www.valleyviewind.com/consumers/paver-edgings/diamond-paver-edge/> Copyright 2016. Found Jul. 15, 2016.
Valley View Specialties Co., Diamond-Lok Paver/Briick Edging,
Pre Apr. 1996.
Permaloc, Structure Edge Interlocking Snap-down Splicing System,
Pre Apr. 1996.

* cited by examiner

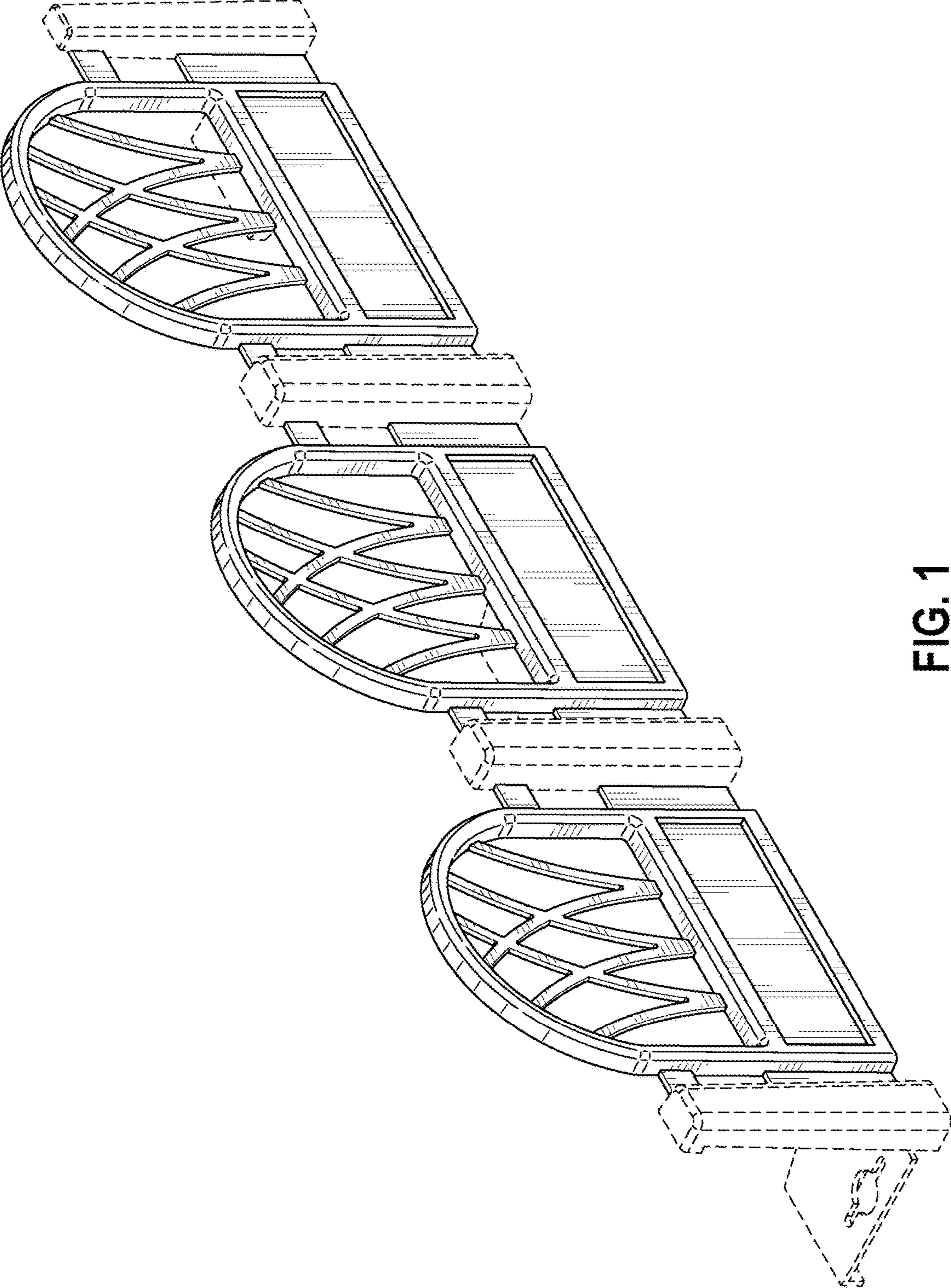


FIG. 1

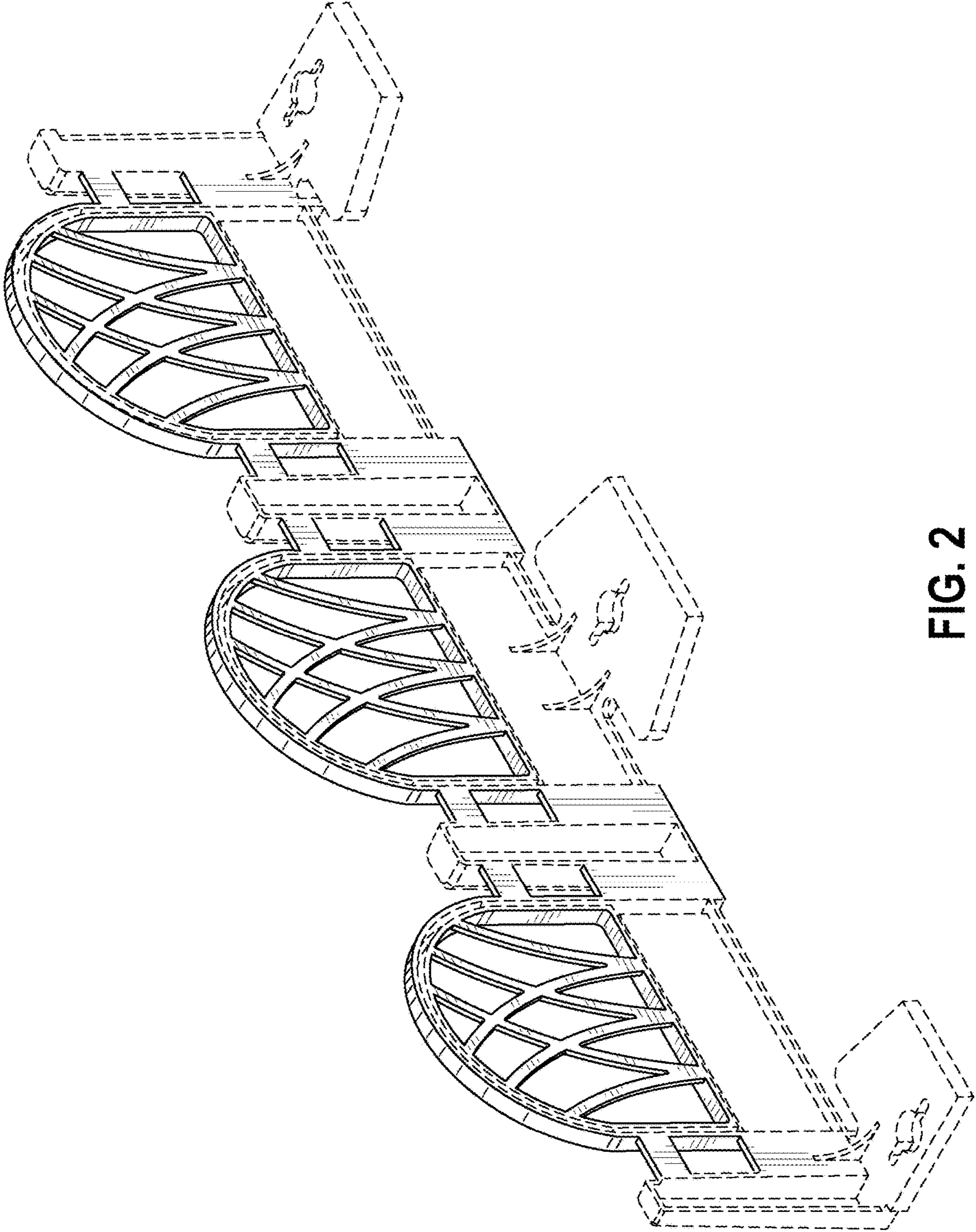


FIG. 2

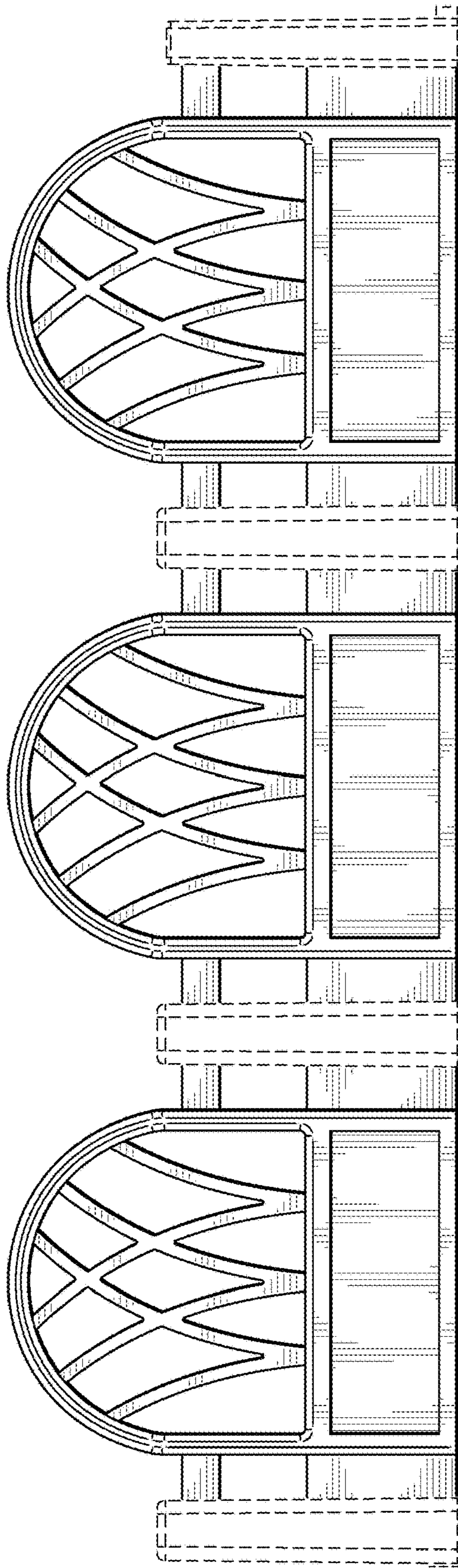


FIG. 3

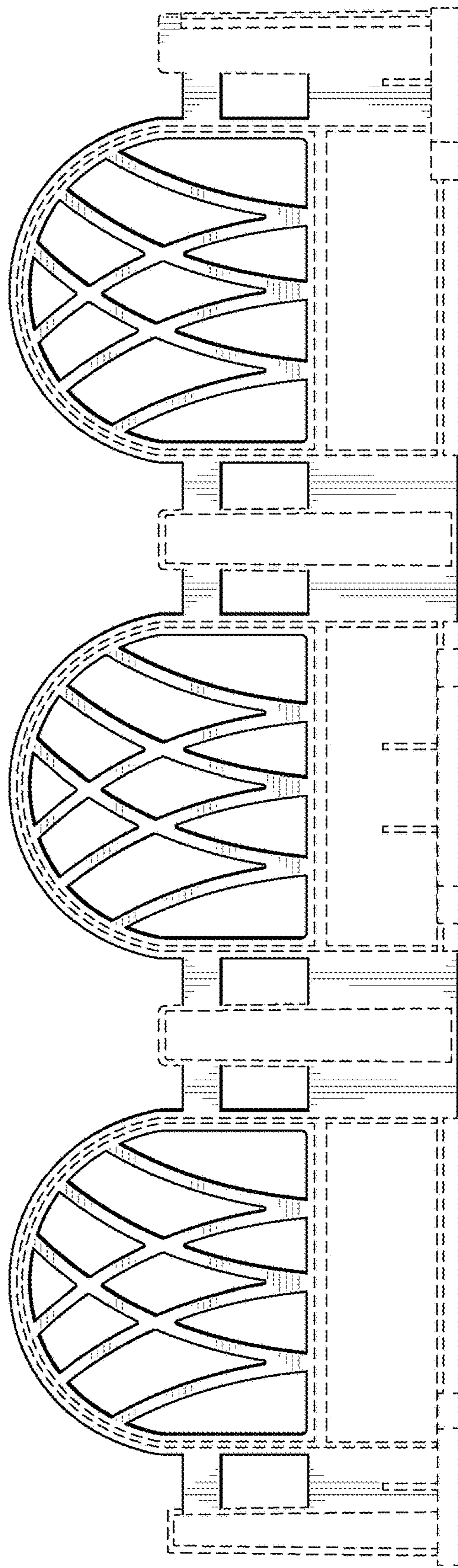


FIG. 4

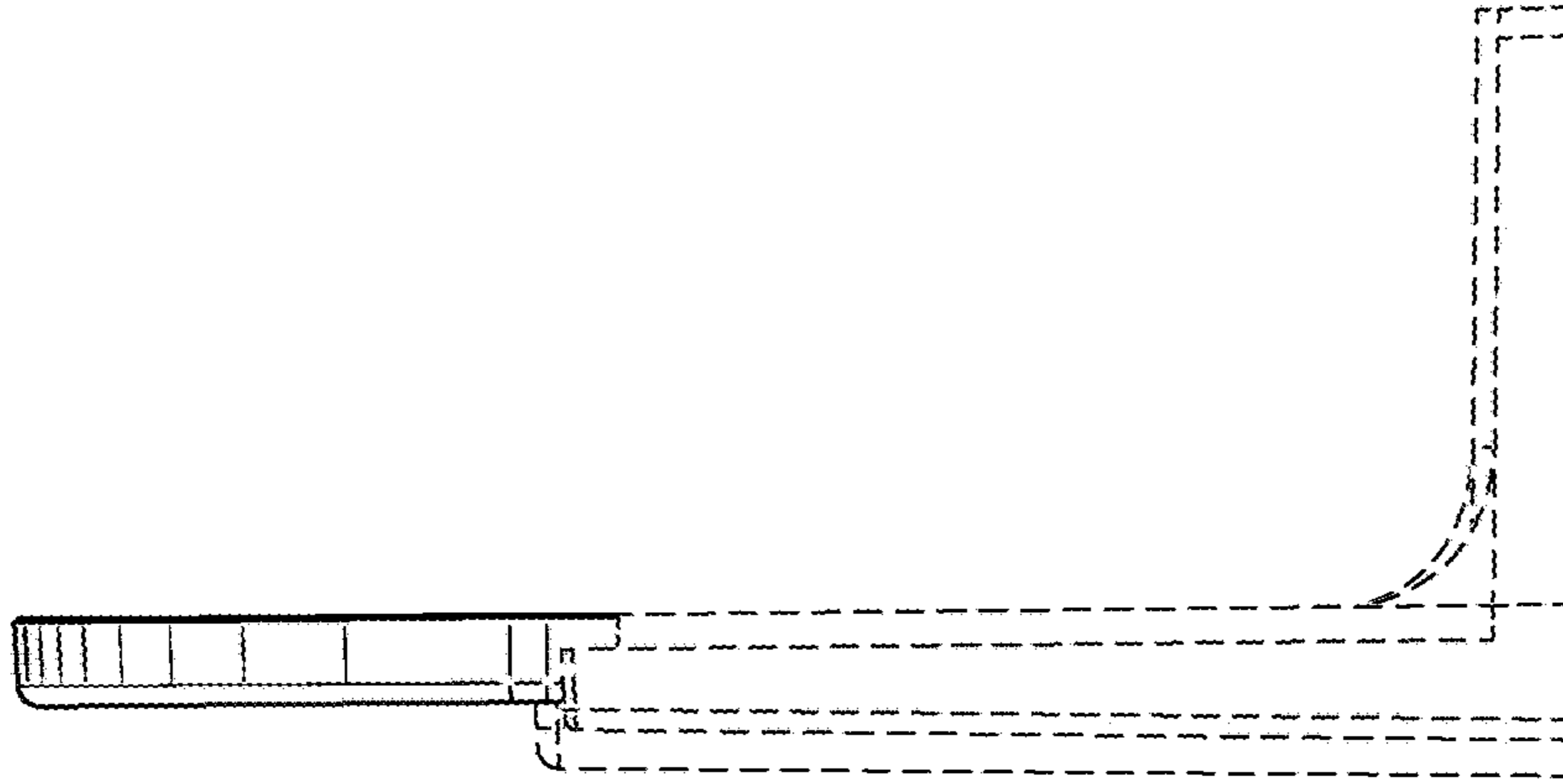


FIG. 6

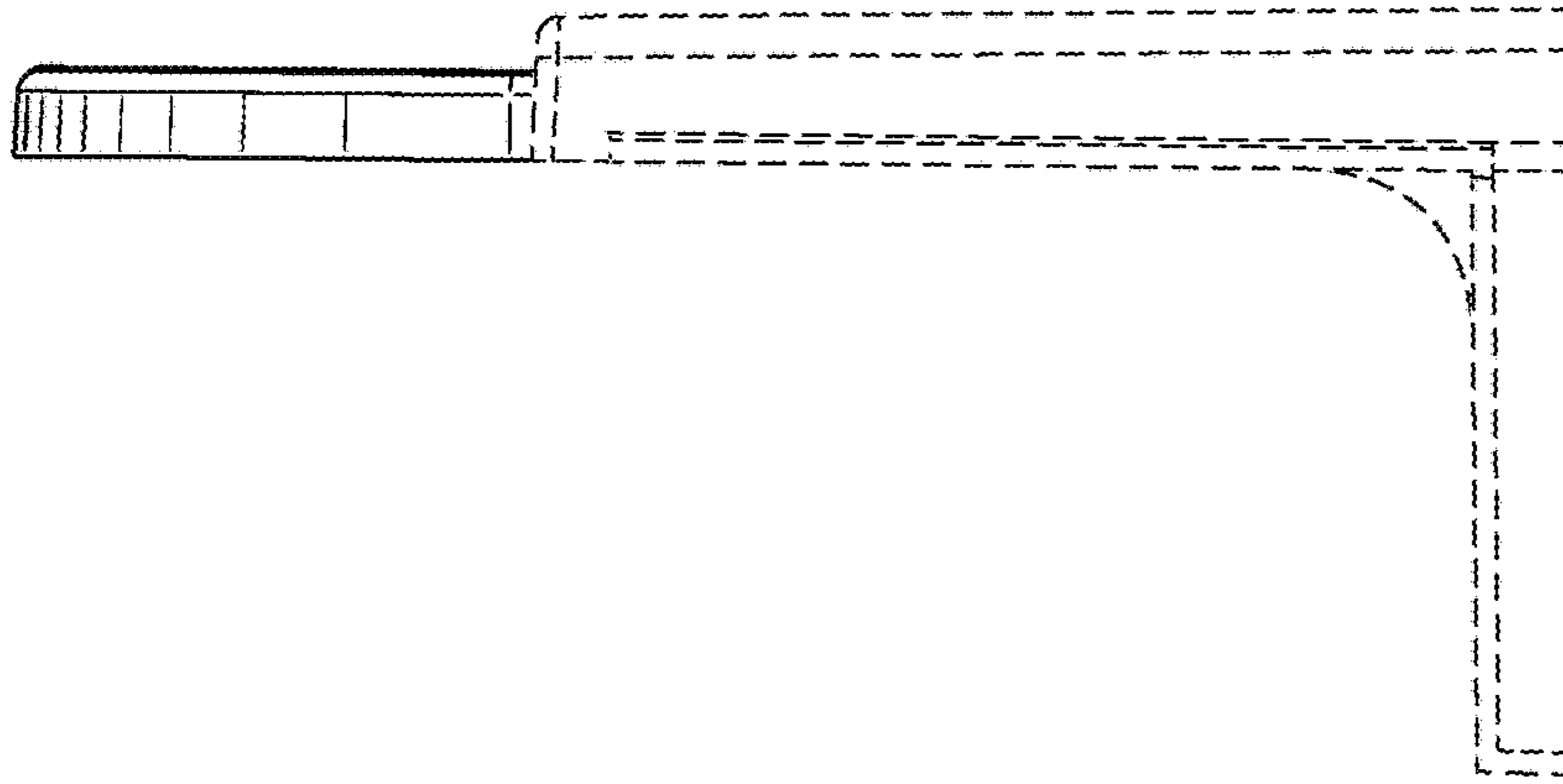


FIG. 5

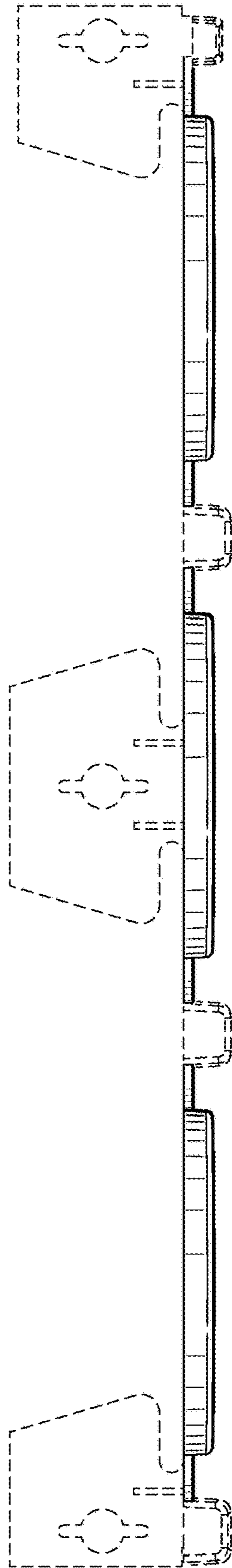


FIG. 7

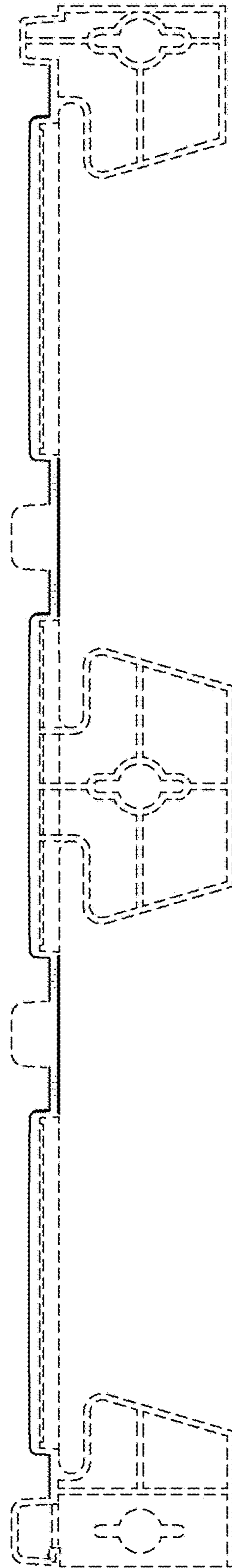


FIG. 8

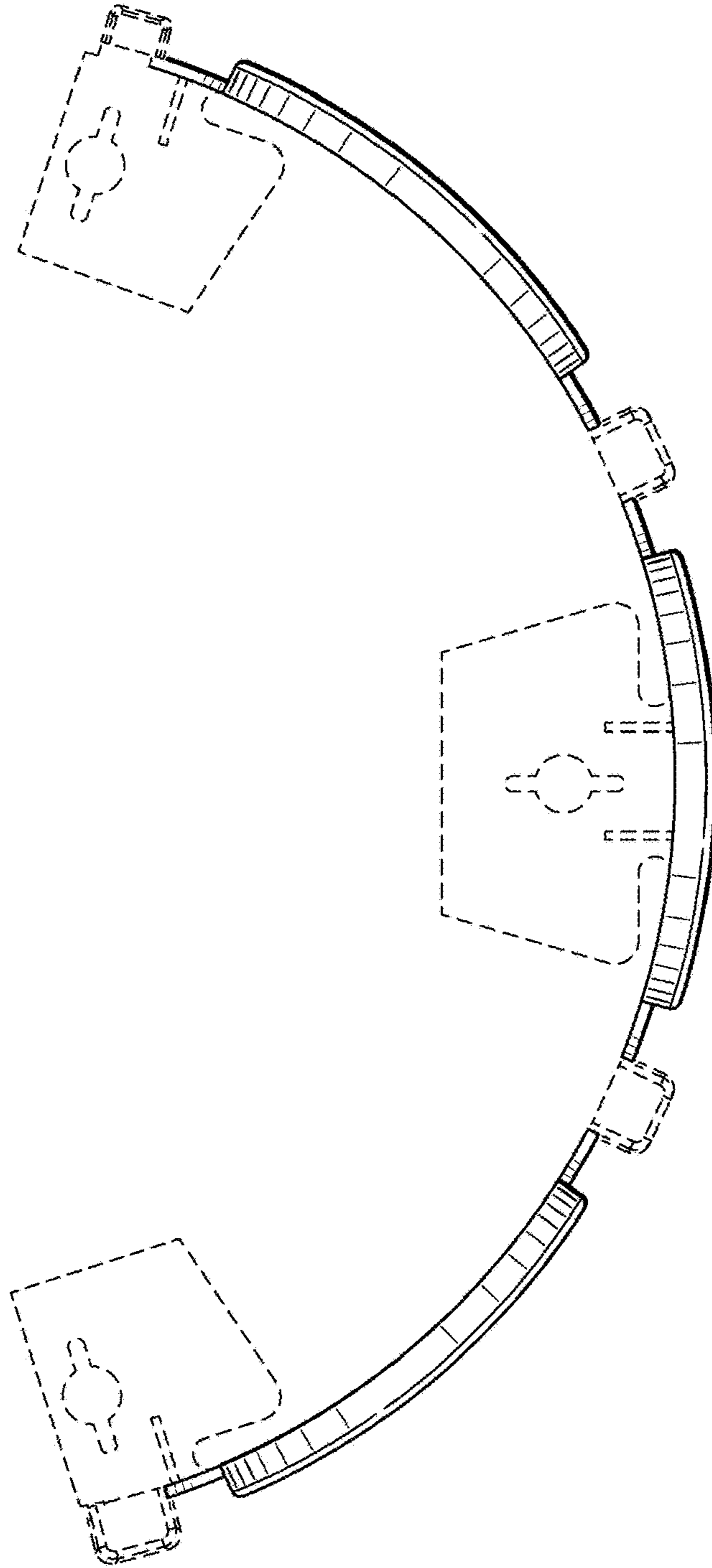


FIG. 9