



US00D882122S

(12) **United States Design Patent**  
**Fisher et al.**

(10) **Patent No.:** **US D882,122 S**  
(45) **Date of Patent:** **\*\* Apr. 21, 2020**

(54) **EXTRUDED MEMBER**  
(71) Applicant: **InPro Corporation**, Muskego, WI (US)  
(72) Inventors: **George Matthew Fisher**, New Berlin, WI (US); **Joel M. Gavlitta**, Waterford, WI (US)  
(73) Assignee: **InPro Corporation**, Muskego, WI (US)  
(\*\*) Term: **15 Years**  
(21) Appl. No.: **29/628,358**

3,765,784 A \* 10/1973 Watson ..... E01C 11/126  
404/64  
4,098,043 A \* 7/1978 McCready ..... E01C 11/106  
277/645  
D261,045 S \* 9/1981 Bowman ..... D25/122  
4,333,284 A \* 6/1982 Meadows ..... E06B 3/285  
160/179  
D265,687 S \* 8/1982 Bowman ..... D25/122  
4,351,622 A \* 9/1982 Kerschner ..... E04B 1/681  
404/64  
4,362,428 A \* 12/1982 Kerschner ..... E01C 11/106  
52/396.06  
4,799,345 A \* 1/1989 Rizza ..... E04B 1/6813  
52/396.06

(Continued)

(22) Filed: **Dec. 4, 2017**  
(51) **LOC (12) Cl.** ..... **25-01**  
(52) **U.S. Cl.**  
USPC ..... **D25/119**

*Primary Examiner* — Llorelys Martinez  
(74) *Attorney, Agent, or Firm* — Reinhart Boerner Van Deuren s.c.

(58) **Field of Classification Search**  
USPC ..... D25/119, 164, 199; D23/259, 262, 269;  
D8/395  
CPC ... E06B 1/02; E06B 1/04; E06B 1/045; E06B  
1/12; E06B 1/14; E06B 1/2403; E06B  
1/26; E06B 1/28; E06B 1/34; E06B  
1/342; E06B 1/52; E06B 1/524; E06B  
1/64; E06B 1/68; E06B 1/62; E06B  
2001/622; E04F 19/02; E04F 19/022;  
E04F 19/026; E04F 19/028; E04F 19/04;  
E04F 19/0486; E04F 19/06; E04F 19/061;  
E04F 19/062; E04F 19/065; E04F 19/066;  
E04F 19/067; F16J 13/00; F16J 13/02;  
F16J 13/04; F16J 13/08; F16J 13/14;  
F16J 15/00; F16J 15/002; F16J 15/02;  
F16J 15/16; E04B 1/6807; E04B 1/6813;  
E04B 1/68; E04B 1/6803; E04B 1/6804;  
E04B 1/681; E04B 1/6812; E04B 1/6815  
See application file for complete search history.

(57) **CLAIM**

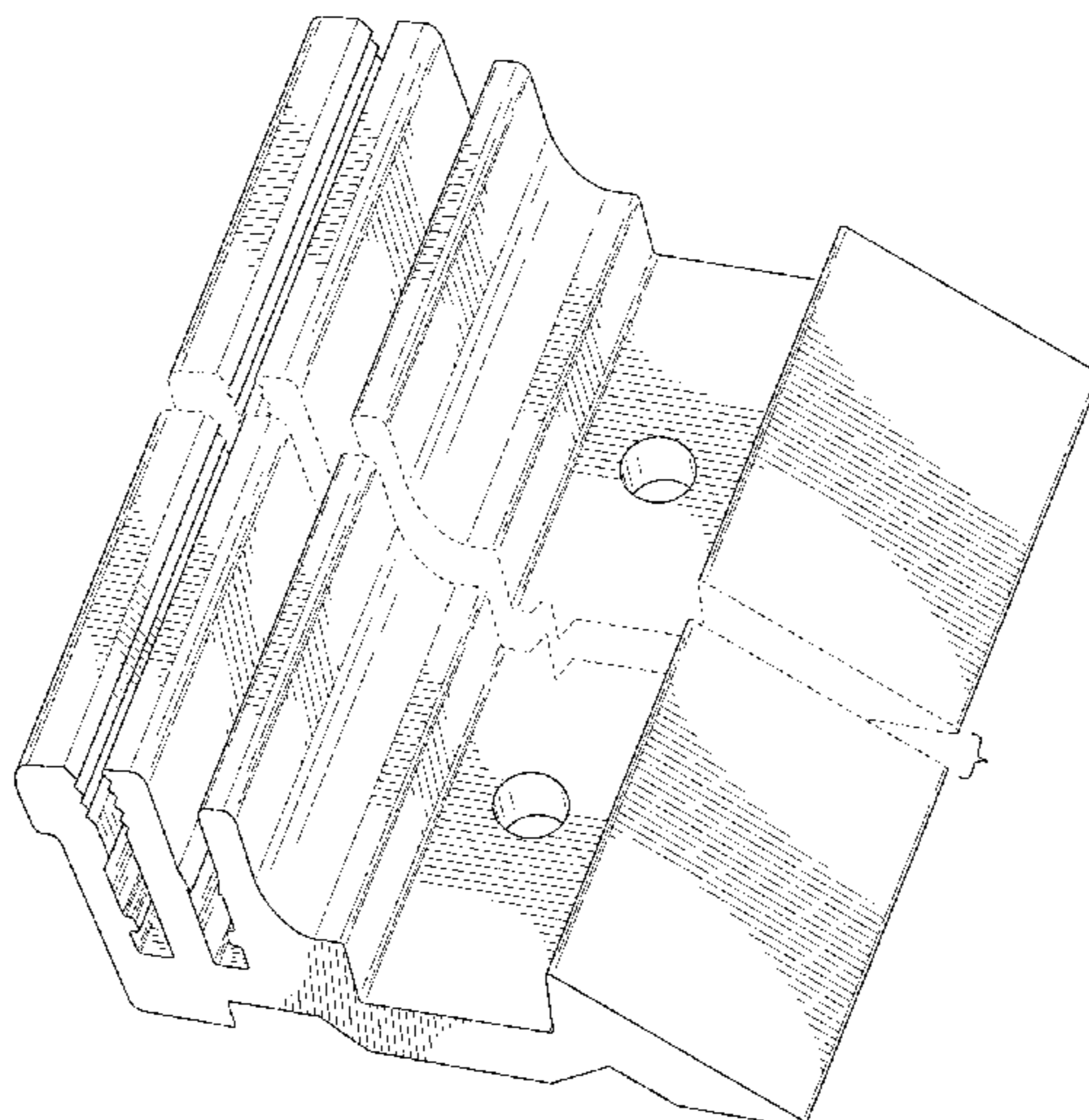
The ornamental design for an extruded member, as shown and described.

**DESCRIPTION**

FIG. 1 is a top perspective view of the extruded member showing our new design;  
FIG. 2 is a bottom perspective view thereof;  
FIG. 3 is a front end view thereof;  
FIG. 4 is a rear end view thereof;  
FIG. 5 is a right side view thereof;  
FIG. 6 is a left side view thereof;  
FIG. 7 is a top view thereof; and,  
FIG. 8 is a bottom view thereof.  
The extruded member is shown with a symbolic break in its length. The appearance of any portion of the extruded member between the break lines forms no part of the claimed design.

(56) **References Cited**  
U.S. PATENT DOCUMENTS  
3,358,568 A \* 12/1967 Brown ..... E04B 1/6803  
404/65  
3,608,442 A \* 9/1971 Berchou ..... E04B 1/6813  
404/65

**1 Claim, 7 Drawing Sheets**



(56)

References Cited

U.S. PATENT DOCUMENTS

4,972,640	A *	11/1990	DiFazio	.....	E06B 1/342				
					52/204.53				
4,986,332	A *	1/1991	Lanuza	.....	B44C 7/022				
					52/222				
5,048,249	A *	9/1991	Shreiner	.....	E04B 1/6804				
					404/64				
5,575,126	A *	11/1996	Attaway	.....	E04B 1/6804				
					404/48				
6,385,932	B1 *	5/2002	Melchiori	.....	E04F 13/06				
					52/302.3				
D497,678	S *	10/2004	Brabeck	.....	D25/119				
8,317,444	B1 *	11/2012	Hensley	.....	E04B 1/38				
					52/393				
D739,564	S	9/2015	Winslow et al.						
9,494,235	B2	11/2016	Winslow et al.						
D781,466	S	3/2017	Winslow et al.						
D791,350	S *	7/2017	Singh	.....	D25/119				
9,845,638	B1 *	12/2017	Cunningham	.....	E06B 7/22				
9,850,626	B2 *	12/2017	Busch	.....	E04B 1/6813				
D825,782	S *	8/2018	Inzeo	.....	D25/119				
D834,729	S *	11/2018	Lee	.....	D25/119				
2002/0027328	A1 *	3/2002	Schindler	.....	E04B 1/6804				
					277/637				
2002/0050109	A1 *	5/2002	Grosjean	.....	E04F 19/04				
					52/393				
2006/0207197	A1 *	9/2006	Anderson	.....	E04F 19/024				
					52/211				
2007/0137129	A1 *	6/2007	Sondermann	.....	E04B 1/681				
					52/395				
2008/0263983	A1 *	10/2008	Stanchfield	.....	E04F 19/061				
					52/459				
2010/0058696	A1 *	3/2010	Mills	.....	E04B 1/68				
					52/396.05				
2012/0328823	A1 *	12/2012	Monteer	.....	E06B 7/14				
					428/99				
2014/0053490	A1 *	2/2014	Kessler	.....	E04B 1/6804				
					52/464				
2015/0042047	A1 *	2/2015	Winslow	.....	E04B 1/6813				
					277/637				
2015/0233177	A1 *	8/2015	Marchand	.....	E06B 1/52				
					160/378				
2016/0017597	A1 *	1/2016	Holt Schmidt	.....	E04B 1/6804				
					52/394				
2019/0078323	A1 *	3/2019	Strickland	.....	E04B 1/6813				
2019/0169836	A1 *	6/2019	Fisher	.....	E04B 1/6807				
2019/0249445	A1 *	8/2019	Holt Schmidt	.....	E04F 19/062				

\* cited by examiner

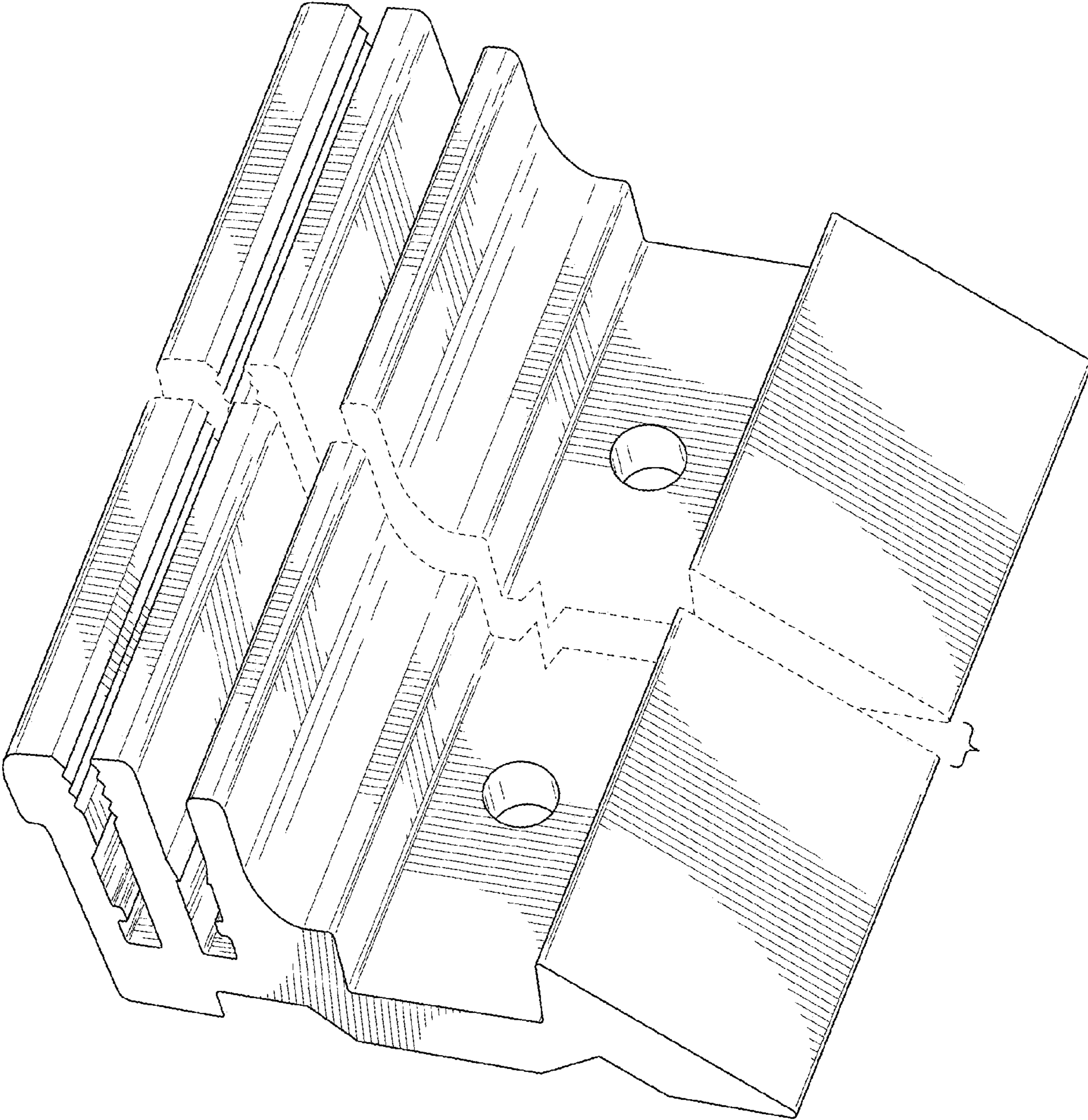


FIG. 1

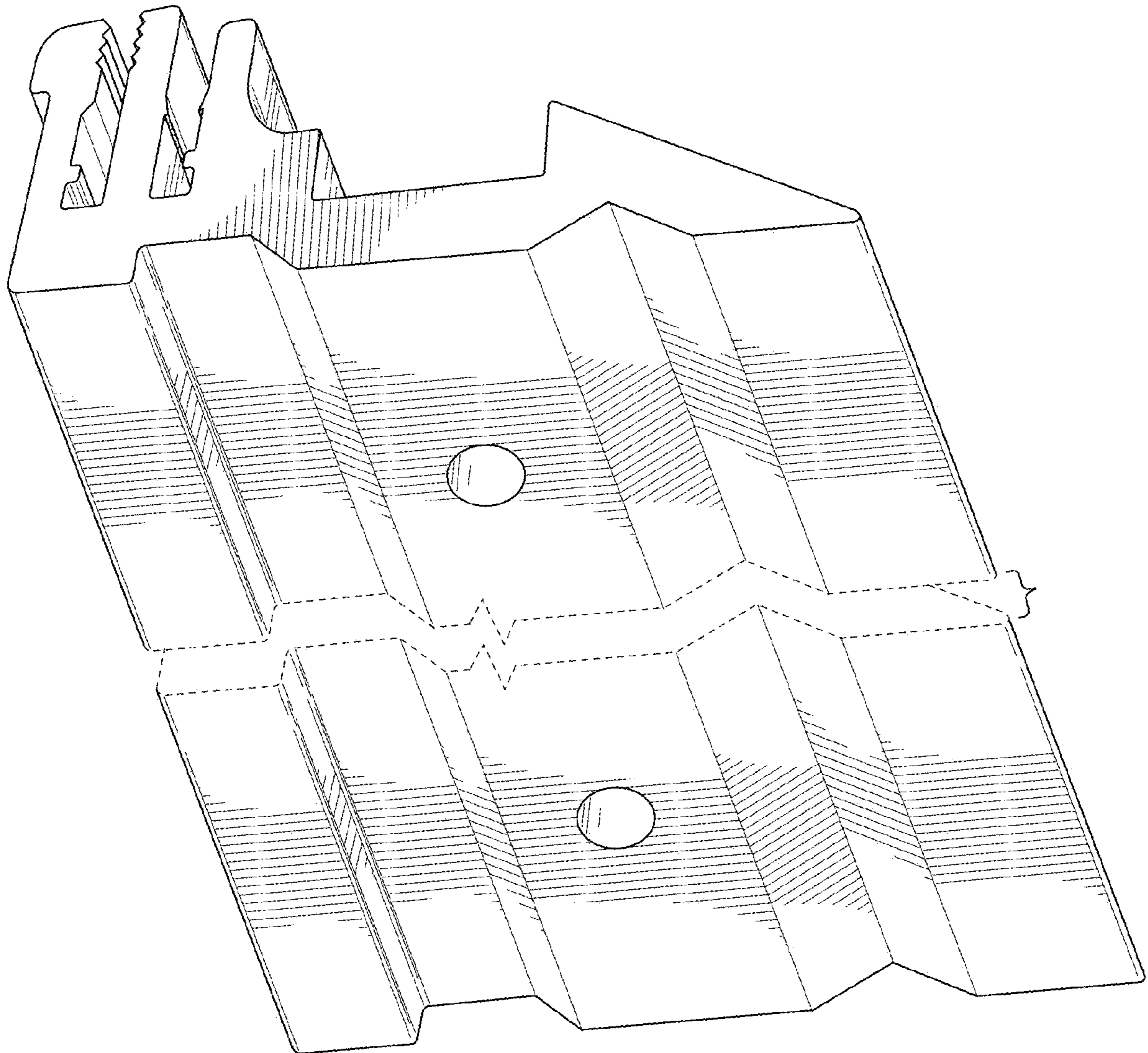


FIG. 2

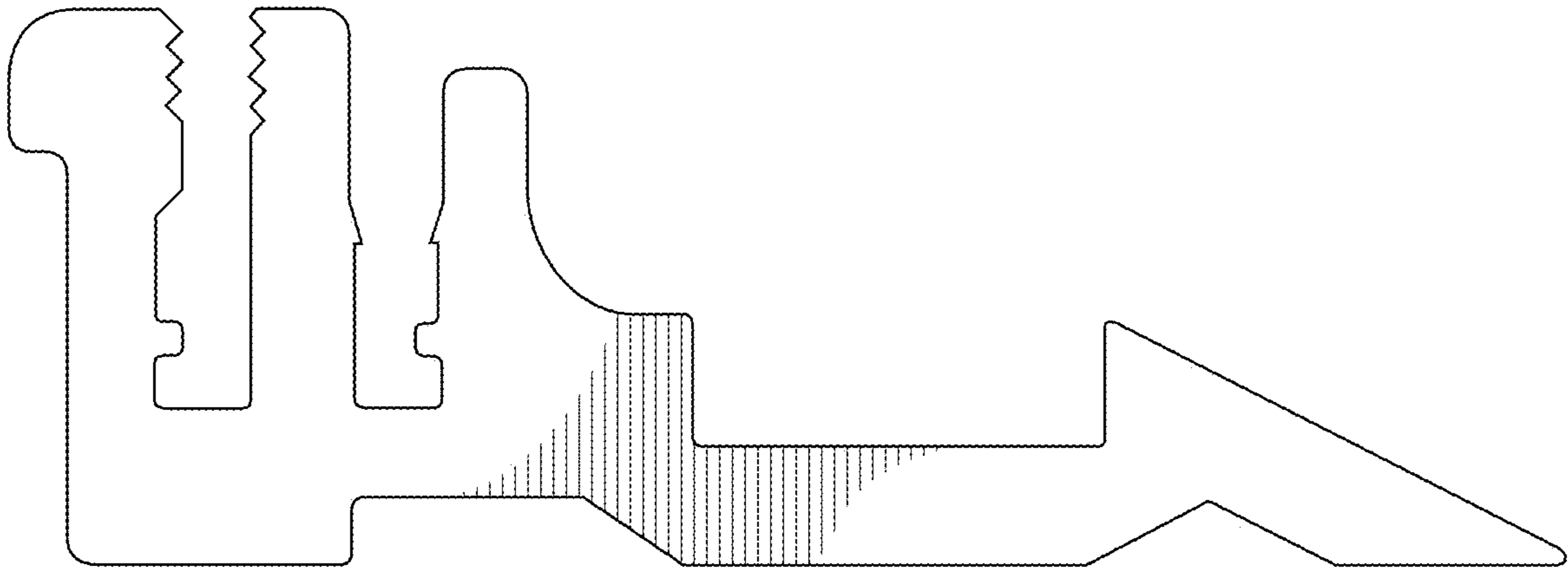


FIG. 3

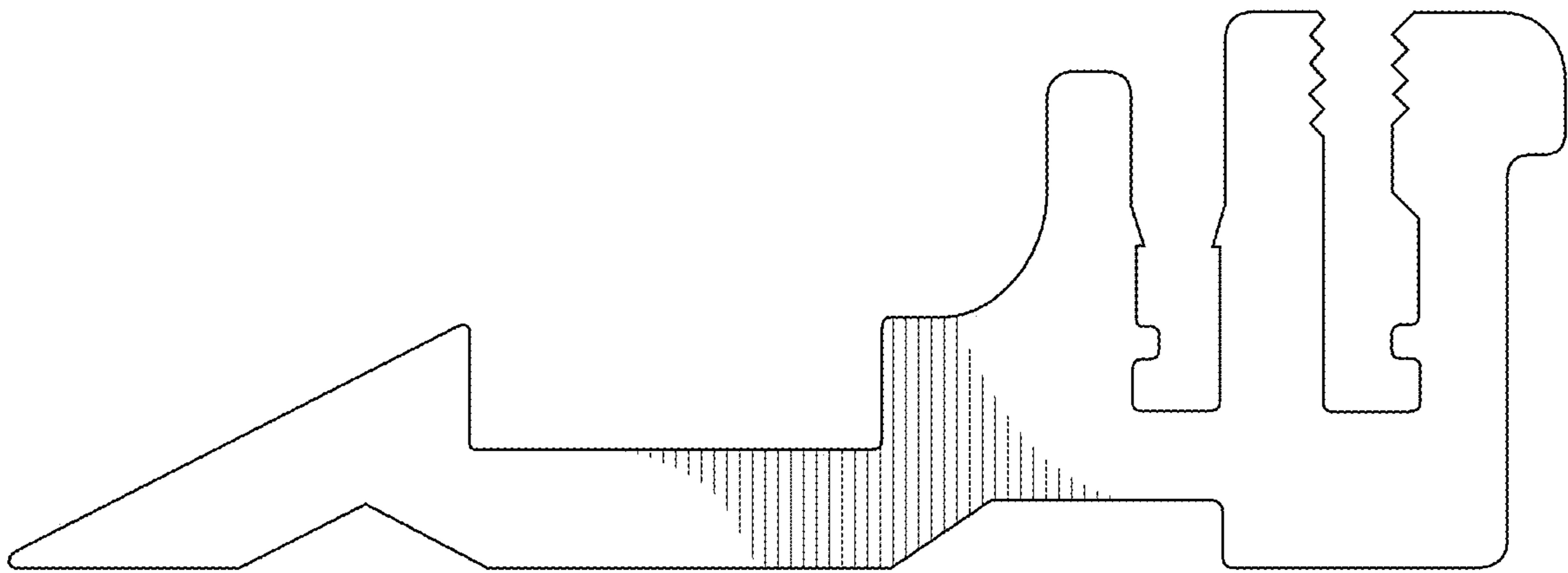


FIG. 4

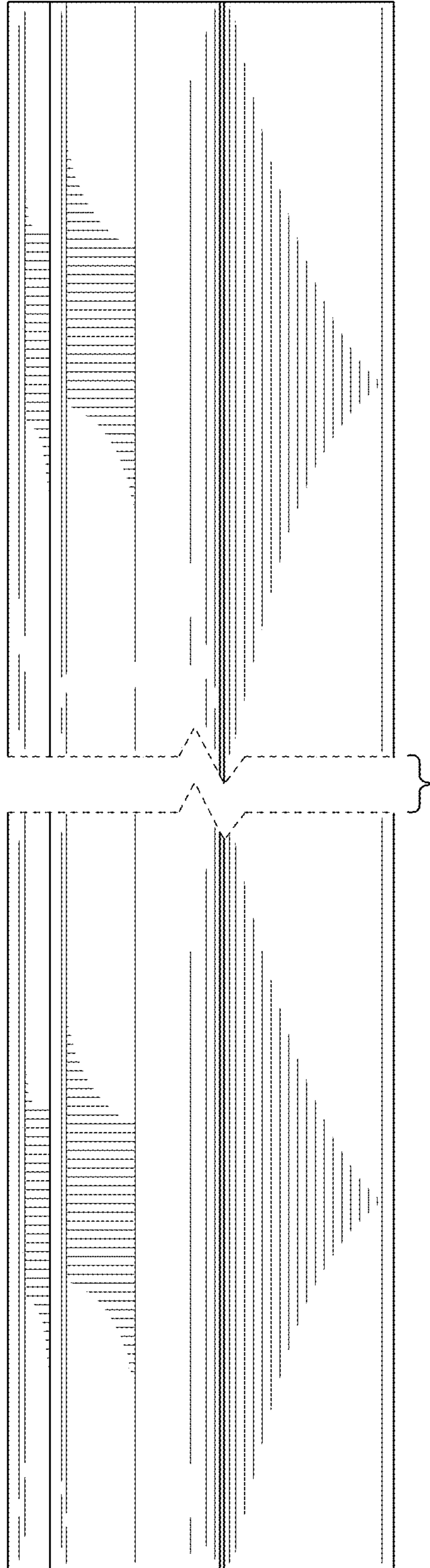


FIG. 5

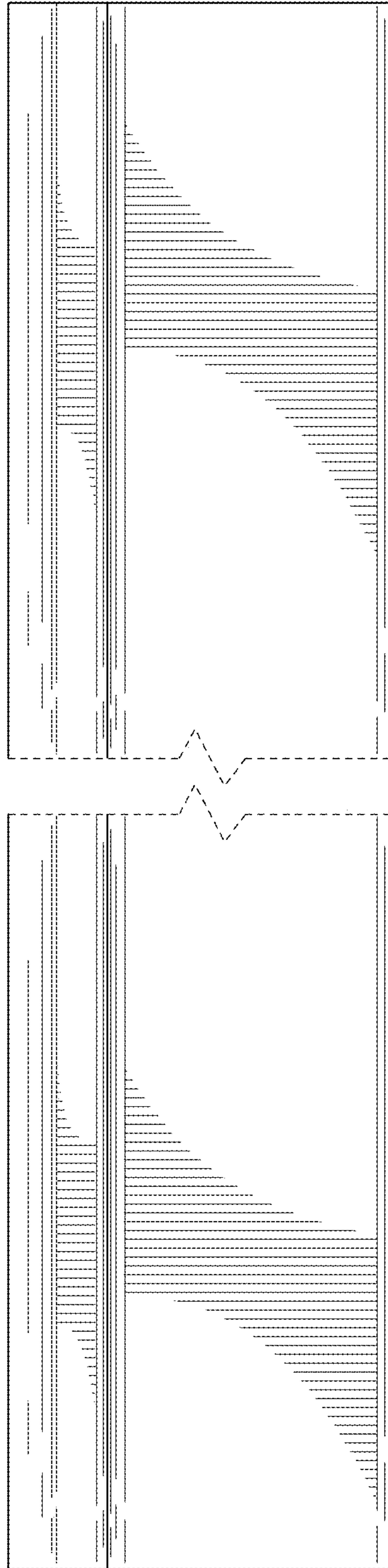


FIG. 6

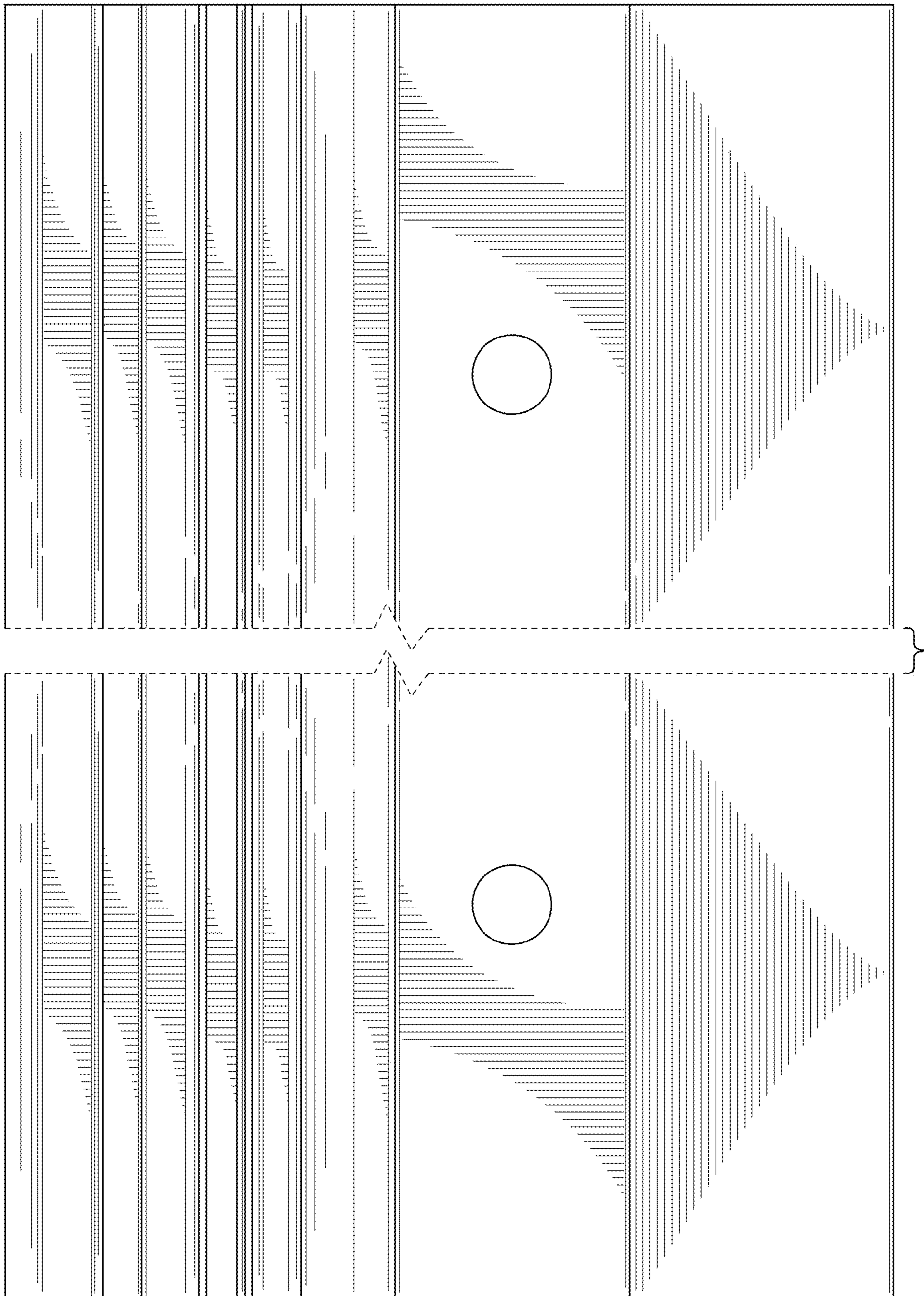


FIG. 7



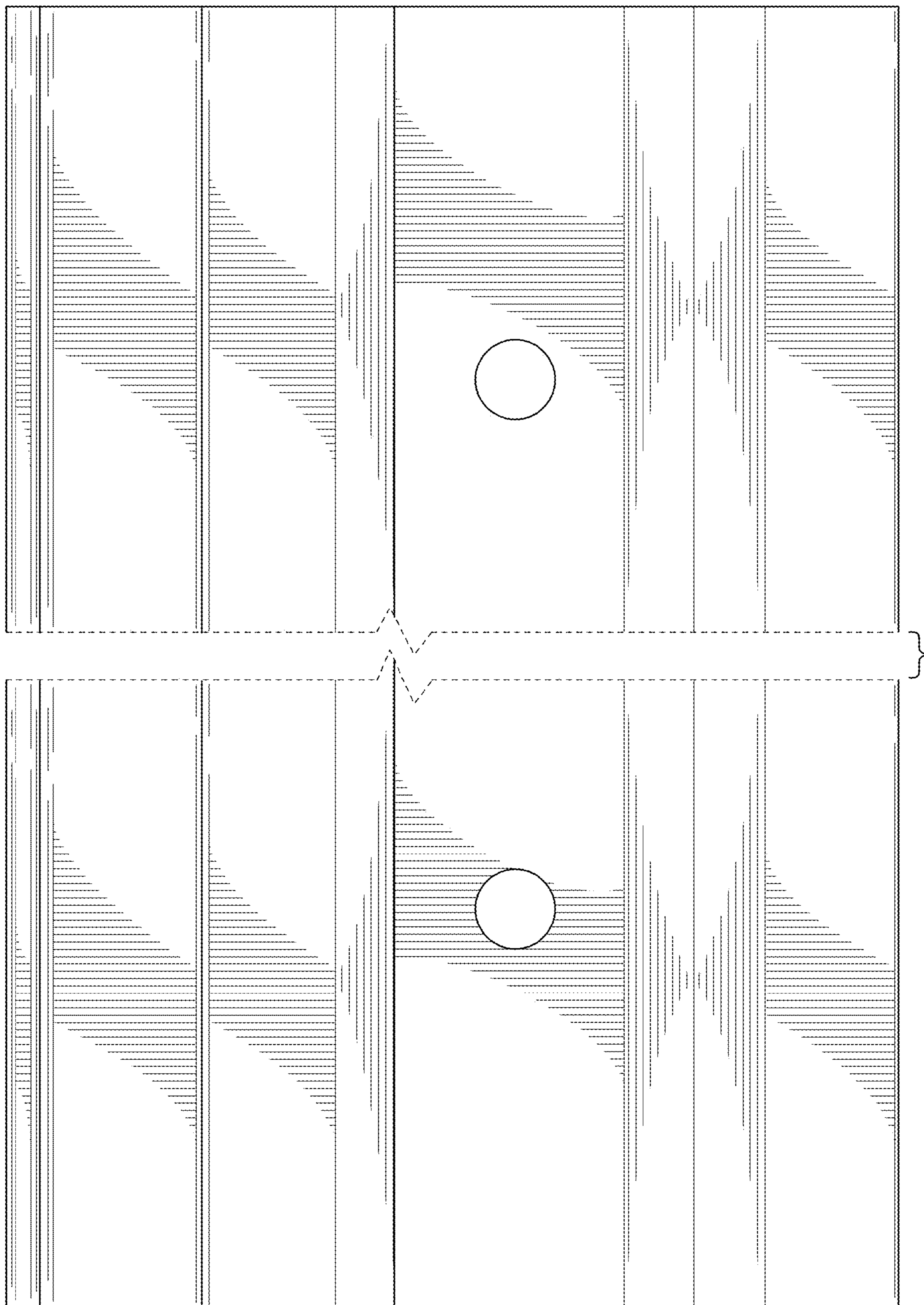


FIG. 8