



US00D882120S

(12) **United States Design Patent** (10) **Patent No.:** **US D882,120 S**
Adams et al. (45) **Date of Patent:** **** Apr. 21, 2020**

(54) **LADDER STABILIZER**
(71) Applicant: **Formetco, Inc.**, Duluth, GA (US)
(72) Inventors: **Jonathan Christopher Adams**,
Hoschton, GA (US); **Robert L. Franklin**,
Snellville, GA (US)
(73) Assignee: **Formetco, Inc.**, Duluth, GA (US)
(**) Term: **15 Years**

D595,069 S * 6/2009 Berry D25/119
D661,406 S * 6/2012 Finch D25/68
D791,972 S * 7/2017 Goodnow D25/68
D801,547 S * 10/2017 Lopez D25/68
9,890,589 B2 * 2/2018 Goodnow E06C 7/16
D839,450 S * 1/2019 Lanzafame D25/68
D859,610 S * 9/2019 Gori D23/267
D871,614 S * 12/2019 Stevens, Jr. D25/68
D872,881 S * 1/2020 Green D25/68
D873,441 S * 1/2020 Jiang D25/124
2018/0274295 A1 * 9/2018 Adams E06C 7/48

* cited by examiner

(21) Appl. No.: **29/711,870**
(22) Filed: **Nov. 4, 2019**

Primary Examiner — Samantha Q Lawrence
(74) *Attorney, Agent, or Firm* — Kean J. DeCarlo;
Womble Bond Dickinson (US) LLP

Related U.S. Application Data

(62) Division of application No. 29/641,298, filed on Mar. 21, 2018.
(51) **LOC (12) Cl.** **25-04**
(52) **U.S. Cl.**
USPC **D25/68**

(57) **CLAIM**

The ornamental design for a ladder stabilizer, as shown and described.

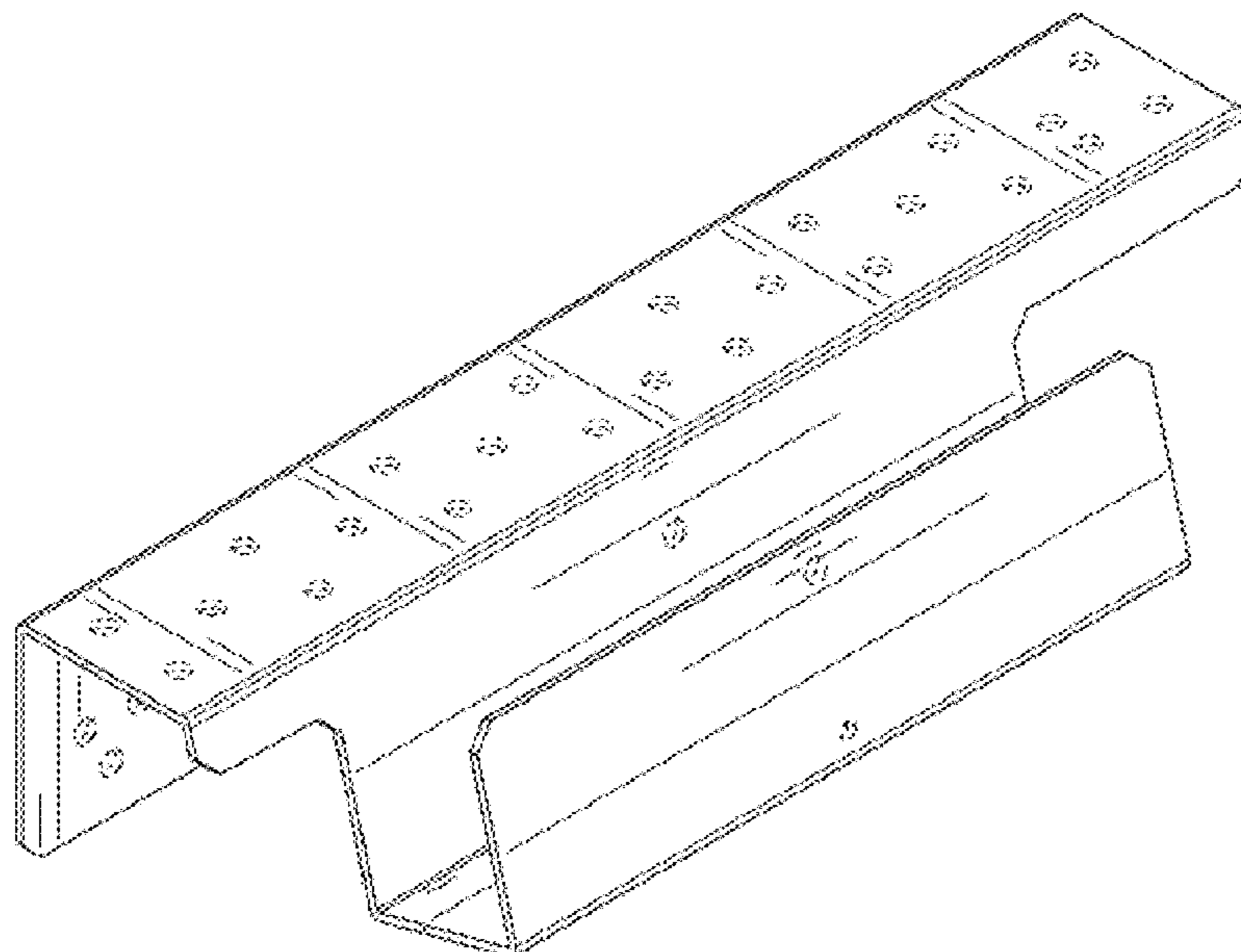
(58) **Field of Classification Search**
USPC D25/62, 63, 64, 65, 66, 67, 68, 69, 119,
D25/107, 108, 111, 180.2; 182/107, 108,
182/111, 116, 172, 180.2, 204, 205, 206,
182/128, 186.3, 228.3; 248/238, 210
CPC . E06C 7/423; E06C 7/44; E06C 7/482; E06C
7/46; E06C 7/34; E06C 7/42; E06C
7/188; E06C 7/14; E06C 7/16; E06C
1/34; E06C 1/345; E06C 7/182; E06C
7/505; E06C 7/48; E06C 7/488
See application file for complete search history.

DESCRIPTION

FIG. 1 is a front perspective view of one embodiment of a ladder stabilizer showing our new design; FIG. 2 is a rear perspective view thereof; FIG. 3 is a rear elevational view thereof; FIG. 4 is a front elevational view thereof; FIG. 5 is a right side elevational view thereof, of which the left side elevational view is a mirror image of FIG. 5; FIG. 6 is a top plan view thereof; and, FIG. 7 is a bottom plan view thereof. The broken lines shown in the figures are included for the purposes of illustrating portions of the ladder stabilizer that form no part of the claimed design.

(56) **References Cited**
U.S. PATENT DOCUMENTS
2,805,104 A * 9/1957 Johnson E06C 7/165
182/120
D392,747 S * 3/1998 Ferland D25/68

1 Claim, 6 Drawing Sheets



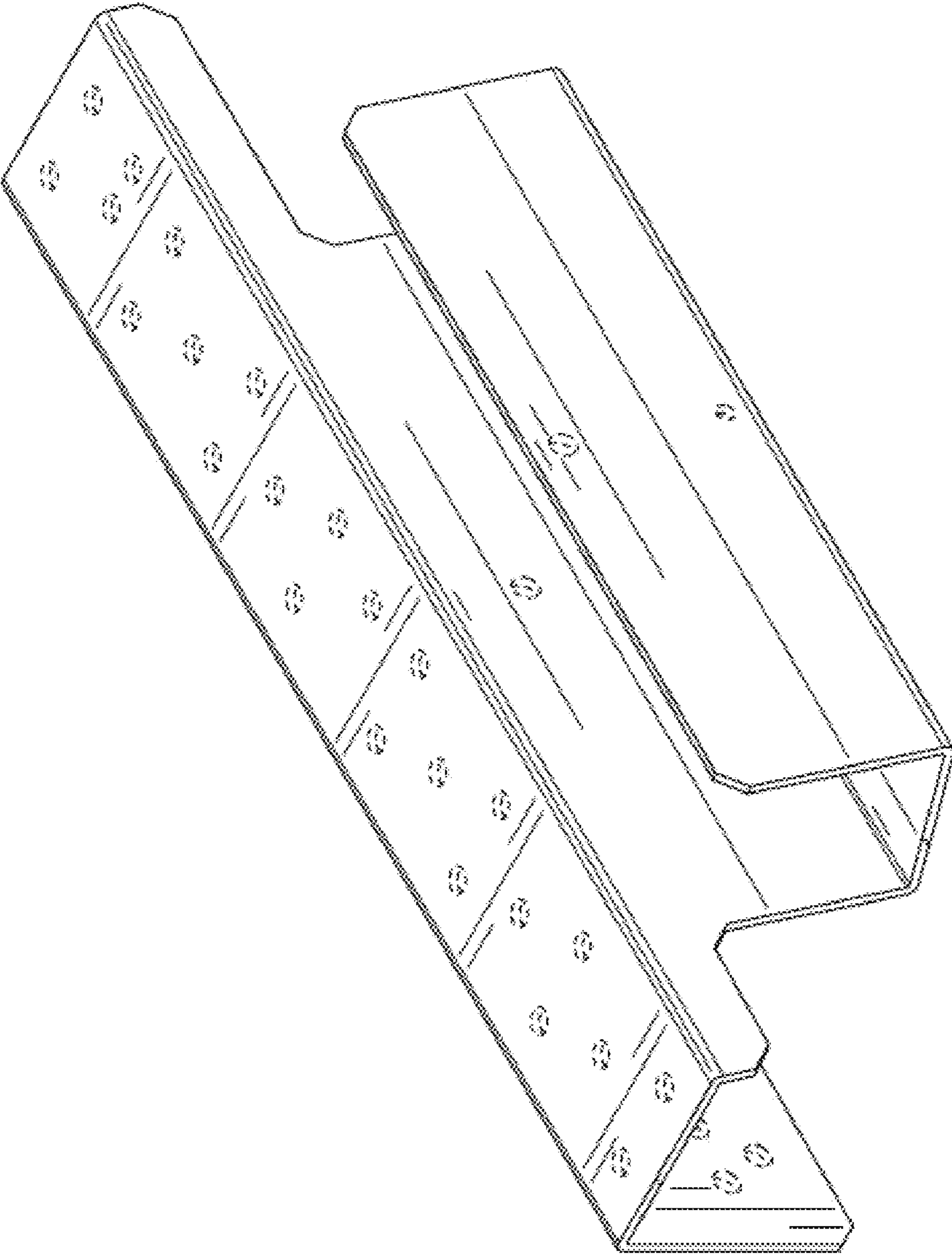


FIG. 1

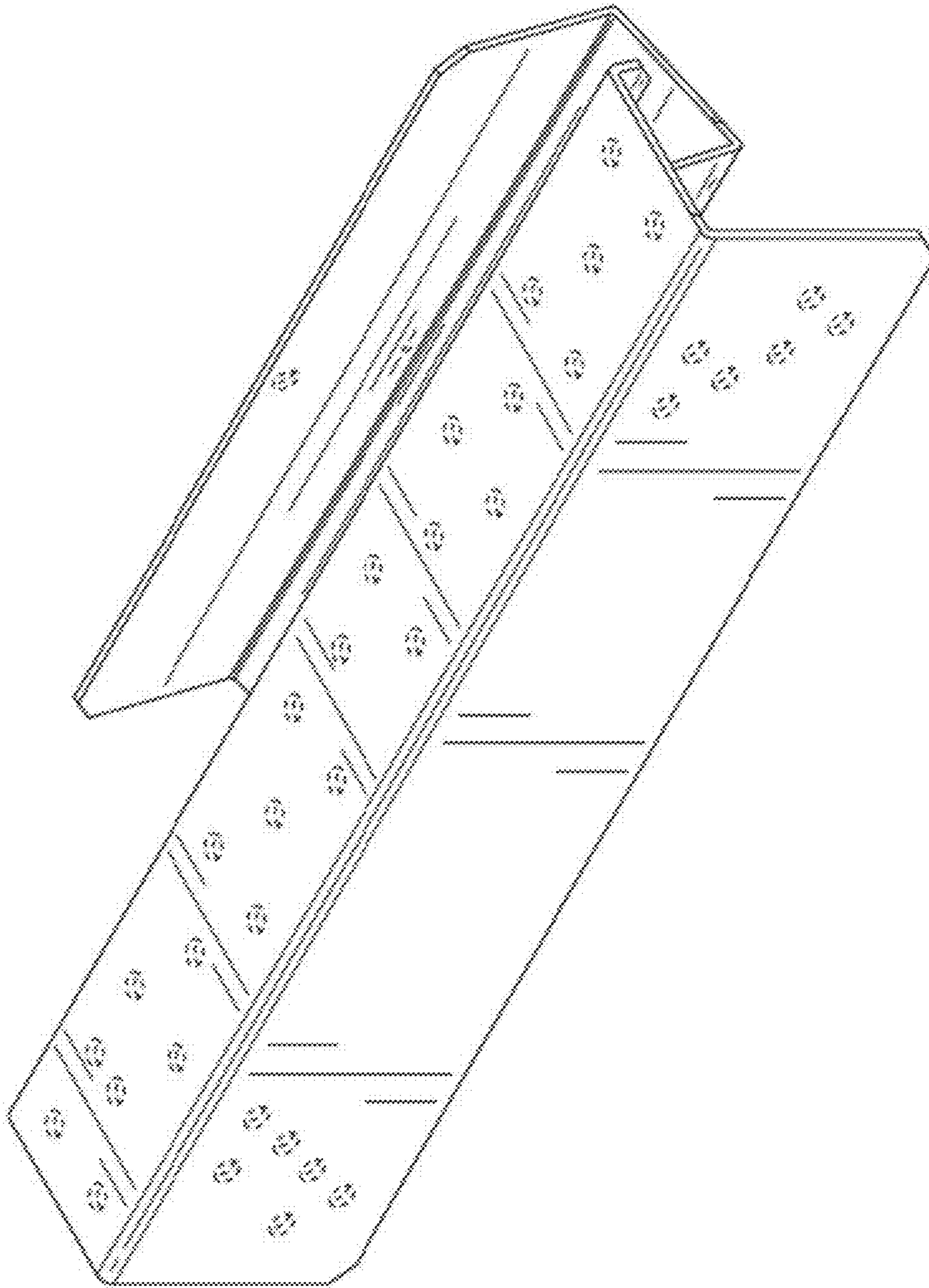


FIG. 2

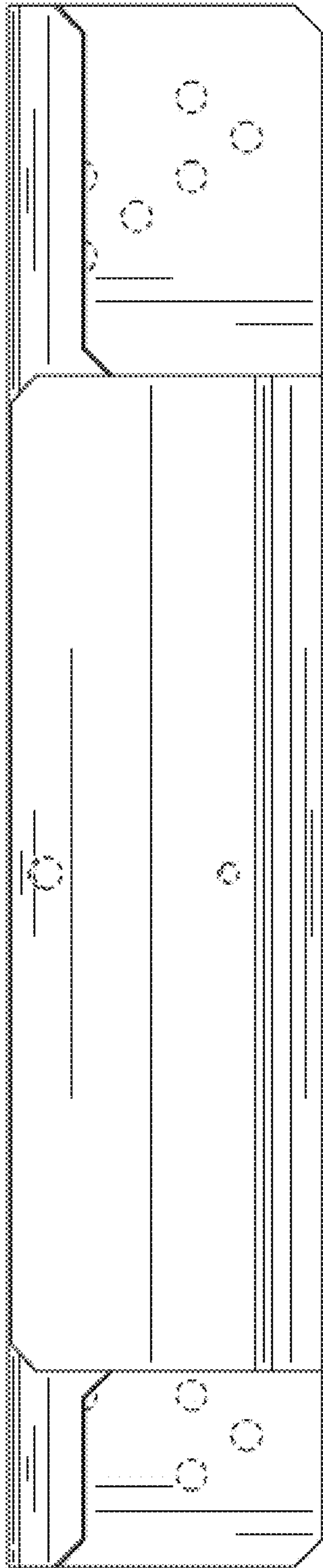


FIG. 3

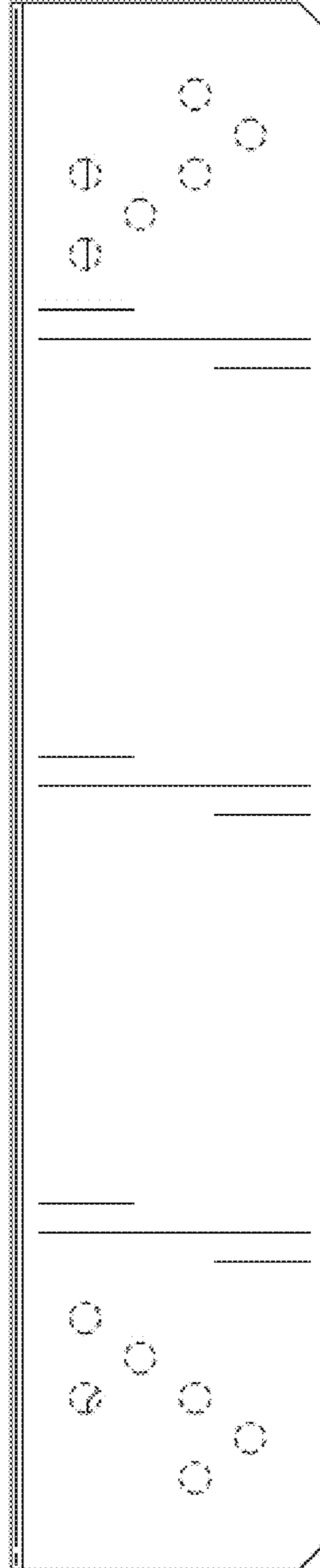


FIG. 4

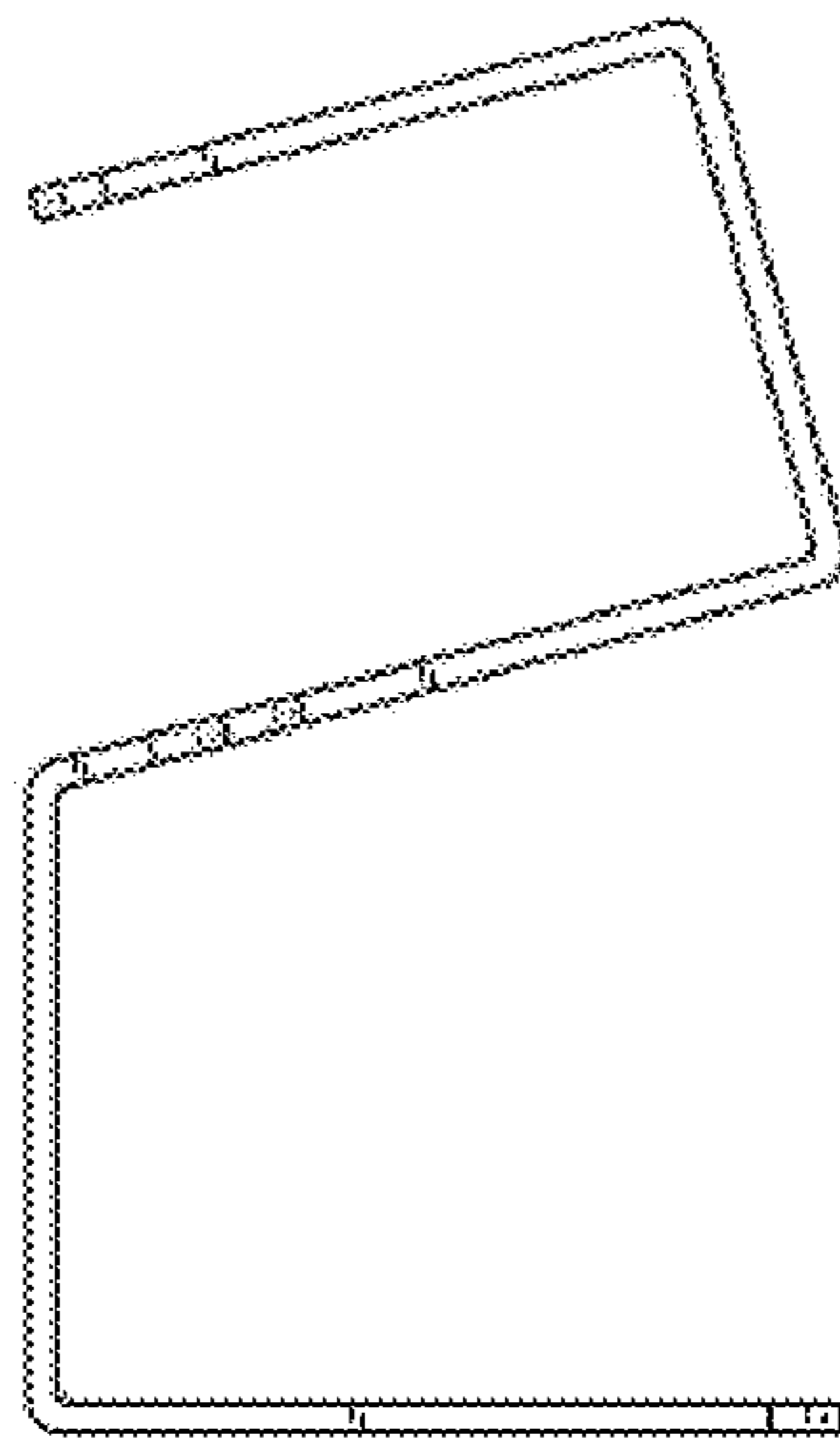


FIG. 5

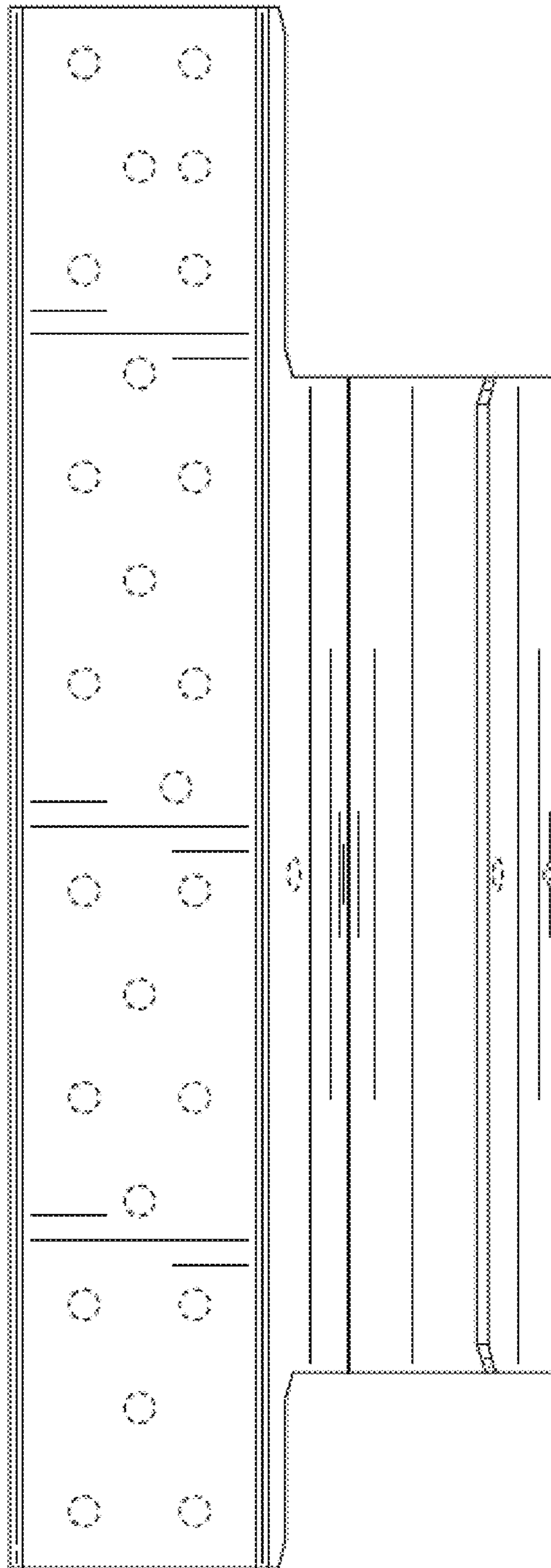


FIG. 6

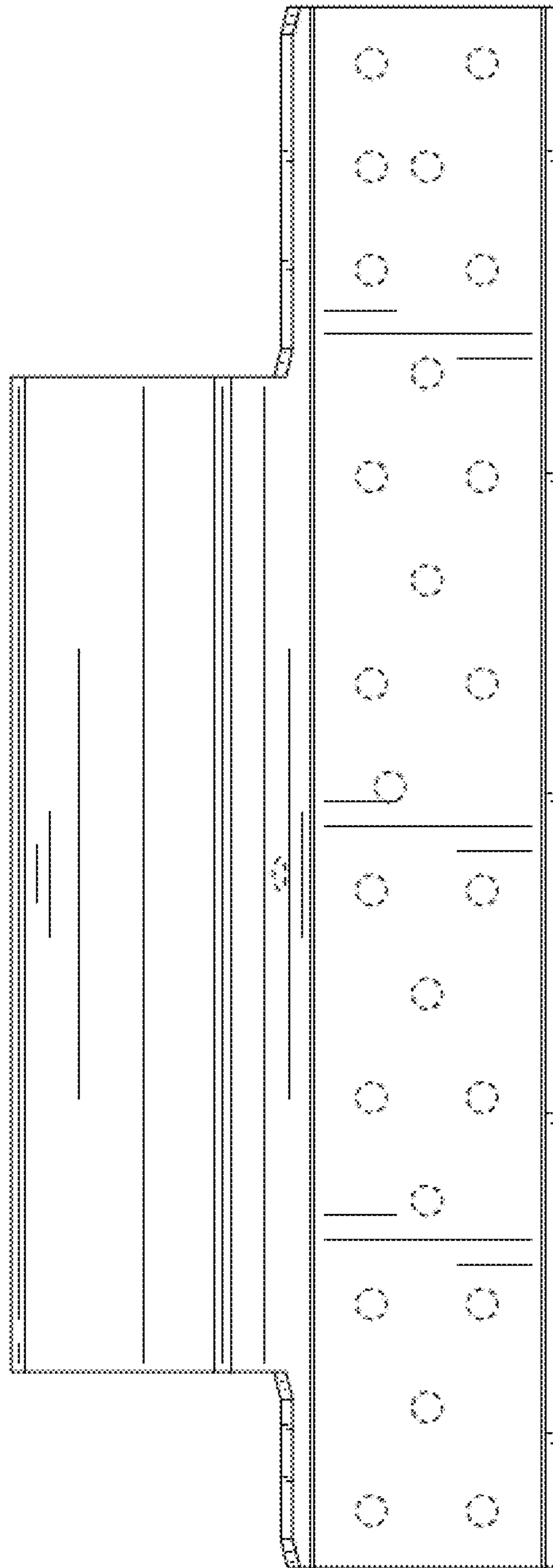


FIG. 7