



US00D882119S

(12) **United States Design Patent** (10) **Patent No.:** **US D882,119 S**
Badillo (45) **Date of Patent:** **** Apr. 21, 2020**

(54) **VEHICLE LADDER**
(71) Applicant: **Intelligent Designs 2000 Corp.**,
Aurora, CO (US)
(72) Inventor: **Paul Badillo**, Littleton, CO (US)
(73) Assignee: **Intelligent Designs 2000 Corp.**,
Aurora, CO (US)

4,249,683 A 2/1981 Park
4,312,620 A 1/1982 Muschalek, Jr.
4,431,082 A 2/1984 Butt
4,716,988 A 1/1988 Graffy
4,825,975 A 5/1989 Symes
4,831,808 A 5/1989 Wynar
D309,560 S 7/1990 Warlick
(Continued)

(**) Term: **15 Years**

(21) Appl. No.: **29/589,364**

(22) Filed: **Dec. 30, 2016**

(51) **LOC (12) Cl.** **25-04**

(52) **U.S. Cl.**
USPC **D25/64**

(58) **Field of Classification Search**
USPC D12/203, 400, 408; D25/62, 63, 64, 65,
D25/66, 67, 68, 69
CPC E06C 1/36; E06C 5/04; E06C 5/24; B60R
3/05

See application file for complete search history.

(56) **References Cited**

U.S. PATENT DOCUMENTS

2,227,873 A 1/1941 Bartsch
2,419,065 A 4/1947 Fowler
2,485,413 A 10/1949 Ross
D173,148 S 10/1954 Emmite
D176,238 S 11/1955 Wallace et al.
2,947,555 A 8/1960 Olsen
3,058,607 A 10/1962 Kiley
3,387,754 A 6/1968 Sinkey
3,498,410 A 3/1970 Storch
3,603,431 A 9/1971 Nameche et al.
D222,526 S 11/1971 Meier
D241,614 S 9/1976 Wallace
4,151,895 A * 5/1979 Rasada, Jr. B60R 3/005
182/194
4,239,139 A 12/1980 Bott

OTHER PUBLICATIONS

“FJ Ladder,” BajaRack Adventure Equipment, 2 pages, first sale estimated in 2011 [retrieved from: <http://www.bajarack.com/ladder>].

(Continued)

Primary Examiner — Susan E Krakower
Assistant Examiner — Jerry Shiuan-Hua Hsu
(74) *Attorney, Agent, or Firm* — Sheridan Ross PC

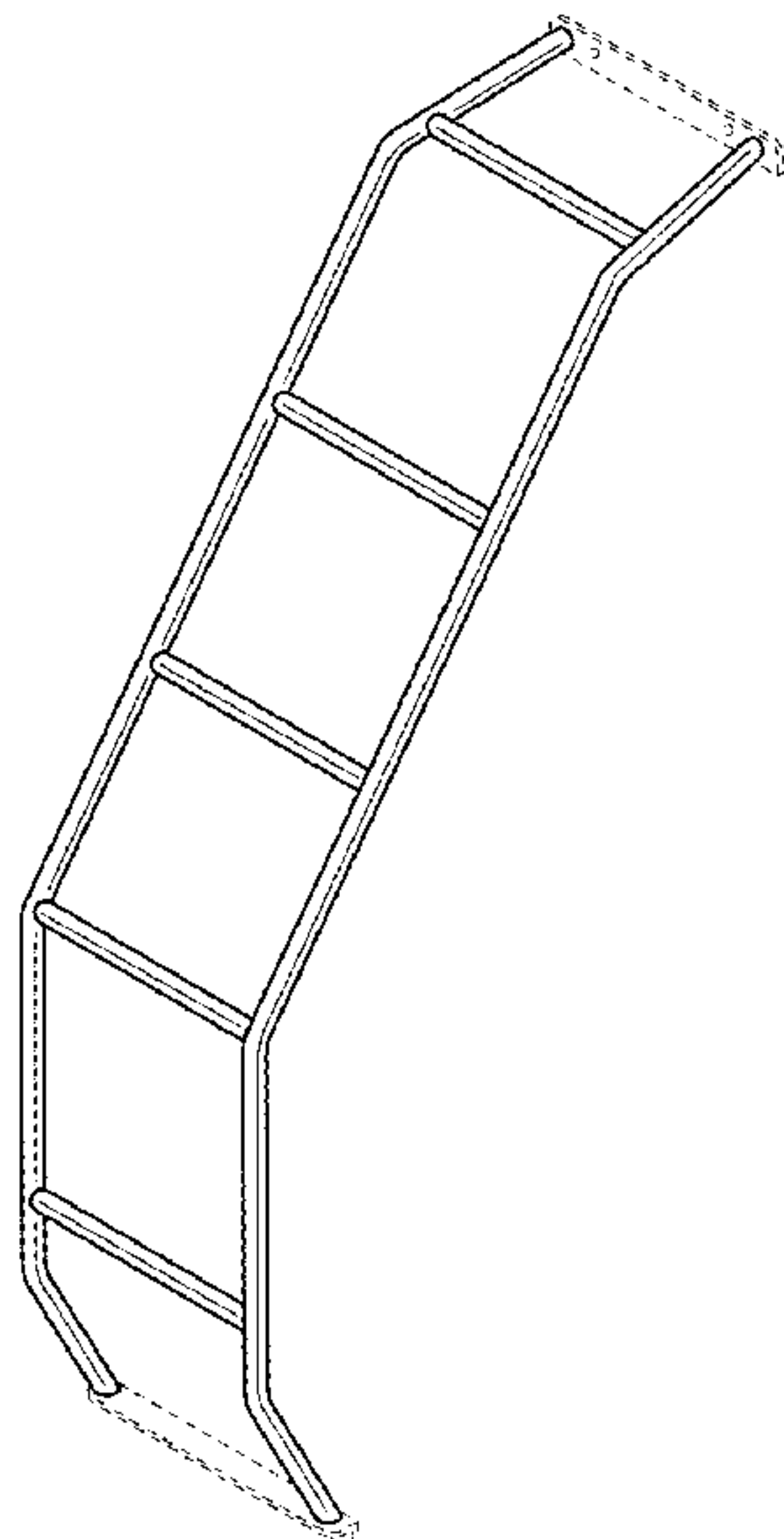
(57) **CLAIM**

The ornamental design for a vehicle ladder, as shown and described.

DESCRIPTION

FIG. 1 is a front perspective view of the vehicle ladder of my new design;
FIG. 2 is a front elevation view thereof;
FIG. 3 is a rear elevation view thereof;
FIG. 4 is a right elevation view thereof;
FIG. 5 is a left elevation view thereof;
FIG. 6 is a top plan view thereof;
FIG. 7 is a bottom plan view thereof; and,
FIG. 8 is a front elevation view of the vehicle ladder provided relative to a vehicle.
The broken lines on the vehicle ladder depict portions of the vehicle ladder that form no part of the claimed design. The broken lines illustrating a vehicle in FIG. 8 depict environmental structure that forms no part of the claimed design.

1 Claim, 7 Drawing Sheets



(56)

References Cited

U.S. PATENT DOCUMENTS

4,947,961 A 8/1990 Dudley
 5,039,119 A 8/1991 Baughman
 5,131,780 A 7/1992 Love
 5,228,739 A 7/1993 Love
 D346,355 S 4/1994 Weger, Jr. et al.
 D346,994 S 5/1994 Weger, Jr. et al.
 D359,134 S 6/1995 Toews
 D392,178 S 3/1998 Hirano
 5,765,902 A 6/1998 Love
 D410,374 S 6/1999 Meurer
 6,003,633 A 12/1999 Ralson
 D423,328 S 4/2000 Burrows
 6,116,378 A 9/2000 Barrow
 D442,289 S 5/2001 Ziaylek et al.
 6,231,093 B1 5/2001 Storer
 6,270,301 B1 8/2001 Dunlop
 6,409,275 B1 6/2002 Gerding
 6,565,048 B1 5/2003 Meyer
 D479,884 S 9/2003 Berryman
 D490,163 S 5/2004 Thurston
 6,739,349 B2 5/2004 Kastenschmidt et al.
 D512,783 S * 12/2005 Badillo D25/64
 7,025,712 B2 4/2006 Parrilla
 D538,734 S 3/2007 Reimitz
 D547,641 S 7/2007 Jueneman
 7,244,090 B2 7/2007 Wooten et al.
 7,249,927 B2 7/2007 Wooten et al.
 D549,838 S * 8/2007 Badillo D25/64
 D601,719 S 10/2009 Gibson
 7,789,359 B2 9/2010 Chopp, Jr. et al.
 7,874,966 B2 1/2011 Parrilla

D657,054 S 4/2012 Bacon
 8,157,229 B2 4/2012 Palermo
 8,261,880 B1 9/2012 Hop
 8,496,146 B2 7/2013 Badillo
 8,585,107 B2 11/2013 Kekich, Jr. et al.
 8,602,162 B2 12/2013 Dondurur et al.
 D710,030 S 7/2014 Fitzgerald et al.
 9,345,923 B2 5/2016 Haggard et al.
 D759,841 S * 6/2016 Badillo D25/64
 D770,962 S 11/2016 Badillo
 D812,777 S * 3/2018 Ma D25/64
 9,945,179 B1 * 4/2018 Joldersma E06C 5/24
 D822,851 S * 7/2018 Conner D25/64
 D832,760 S * 11/2018 Annett D12/203
 D845,853 S * 4/2019 Annett D12/203
 D850,941 S 6/2019 Israni
 2003/0020253 A1 1/2003 Bosman et al.
 2005/0082326 A1 4/2005 Badillo
 2005/0098595 A1 5/2005 Smith et al.
 2006/0108179 A1 5/2006 Sieb
 2006/0124394 A1 6/2006 Bracken
 2006/0191967 A1 8/2006 Smith et al.
 2008/0277199 A1 11/2008 Castonguay
 2015/0252618 A1 9/2015 Levi
 2017/0050571 A1 * 2/2017 Badillo B60R 3/005
 2018/0044985 A1 * 2/2018 Orscheln E06C 1/36
 2018/0201195 A1 * 7/2018 Downing E06C 5/04

OTHER PUBLICATIONS

Notice of Allowance for U.S. Appl. No. 29/535,867, dated Apr. 13, 2016, 9 pages.

* cited by examiner

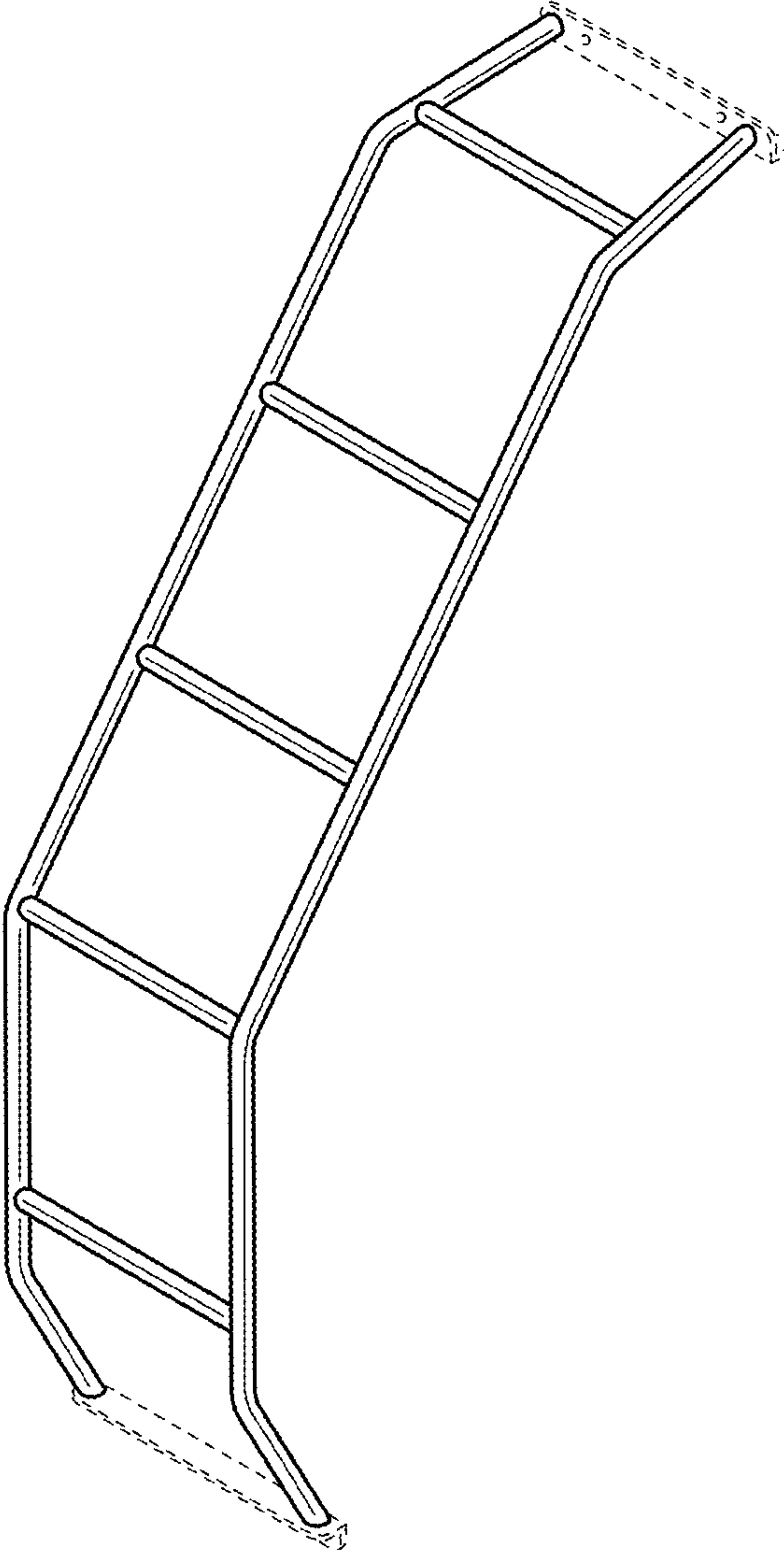


FIG.1

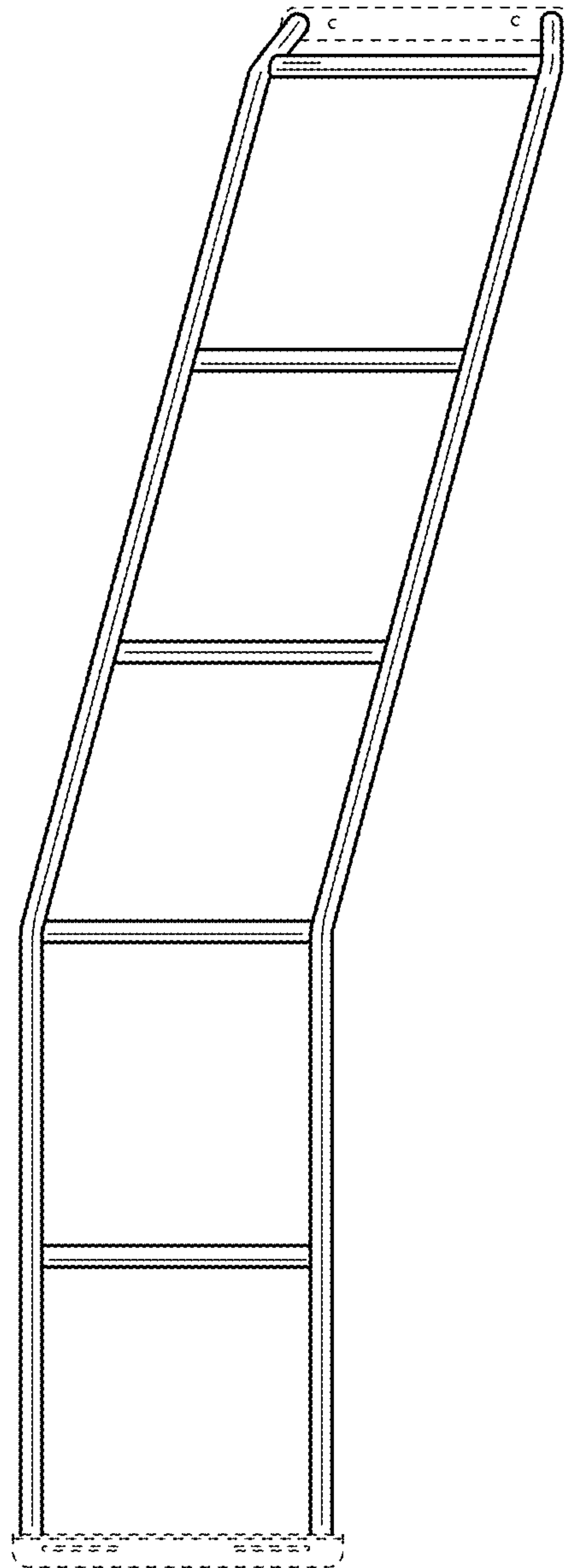


FIG.2

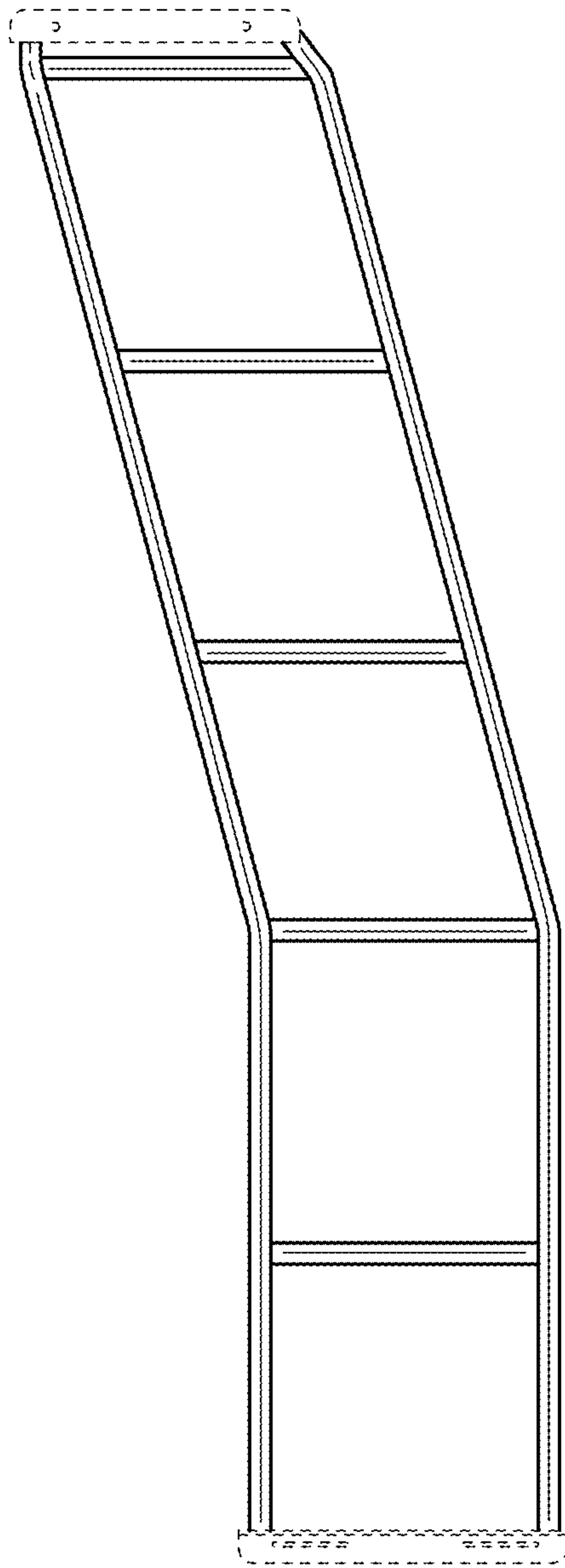


FIG.3

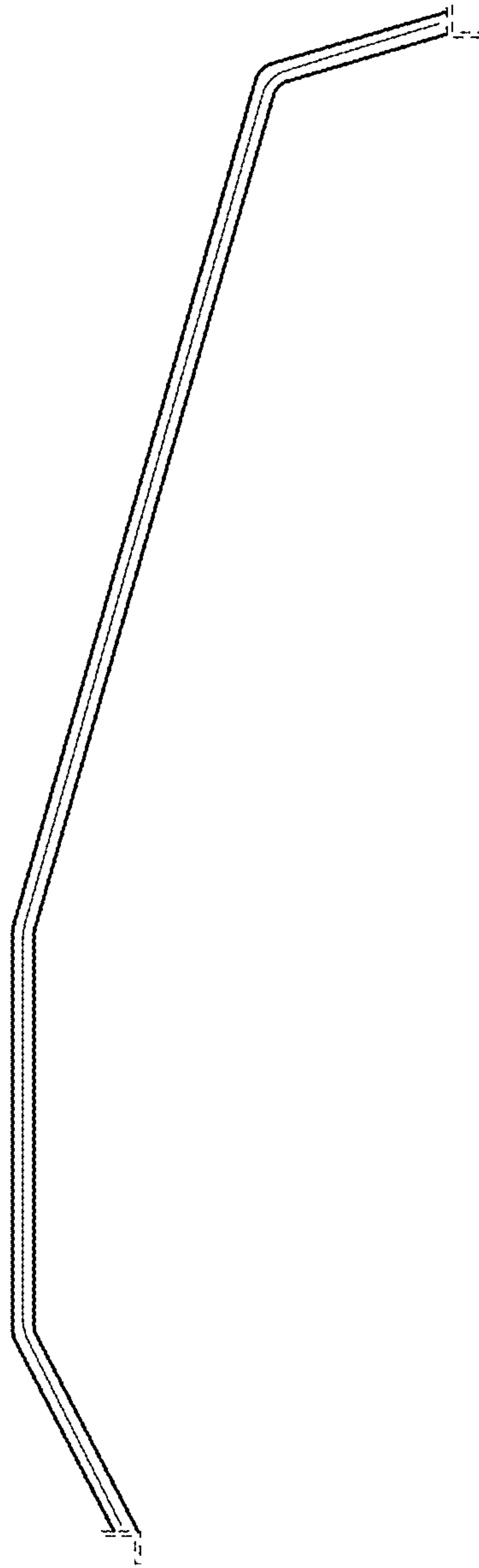


FIG.4

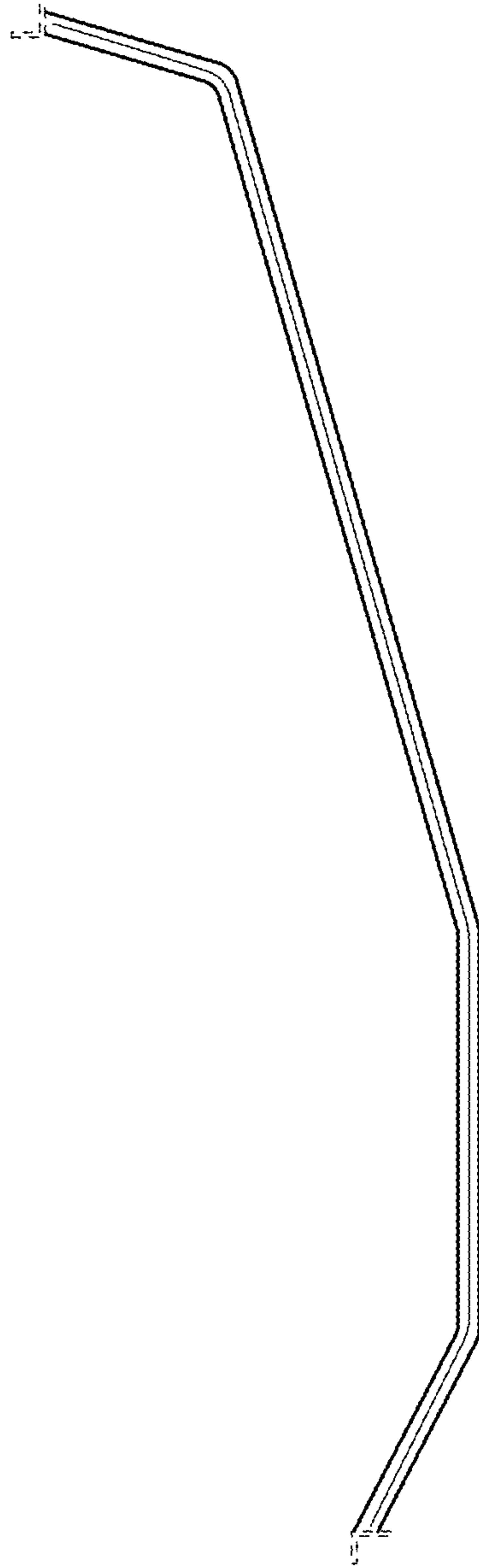


FIG.5

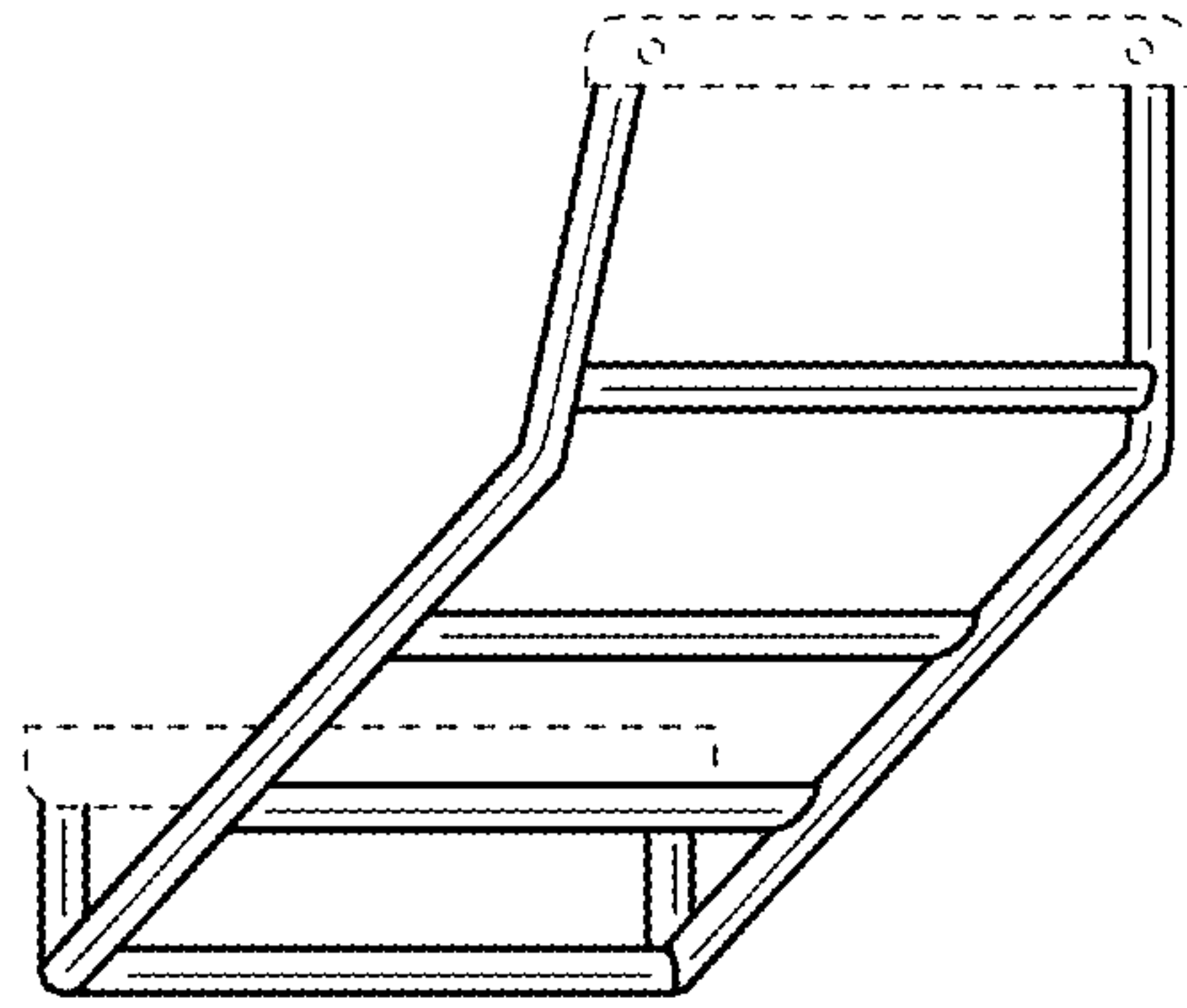


FIG. 6

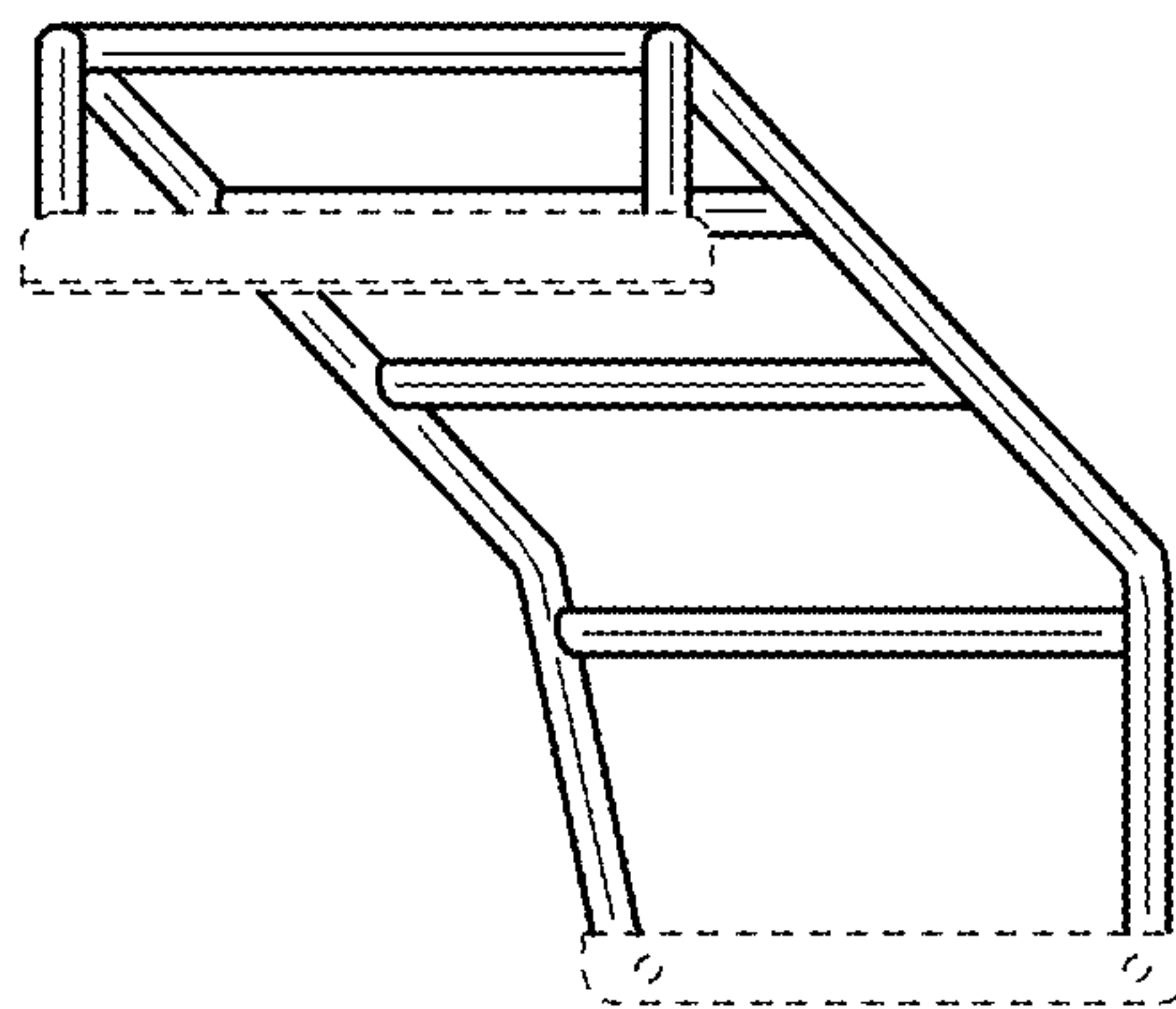


FIG. 7

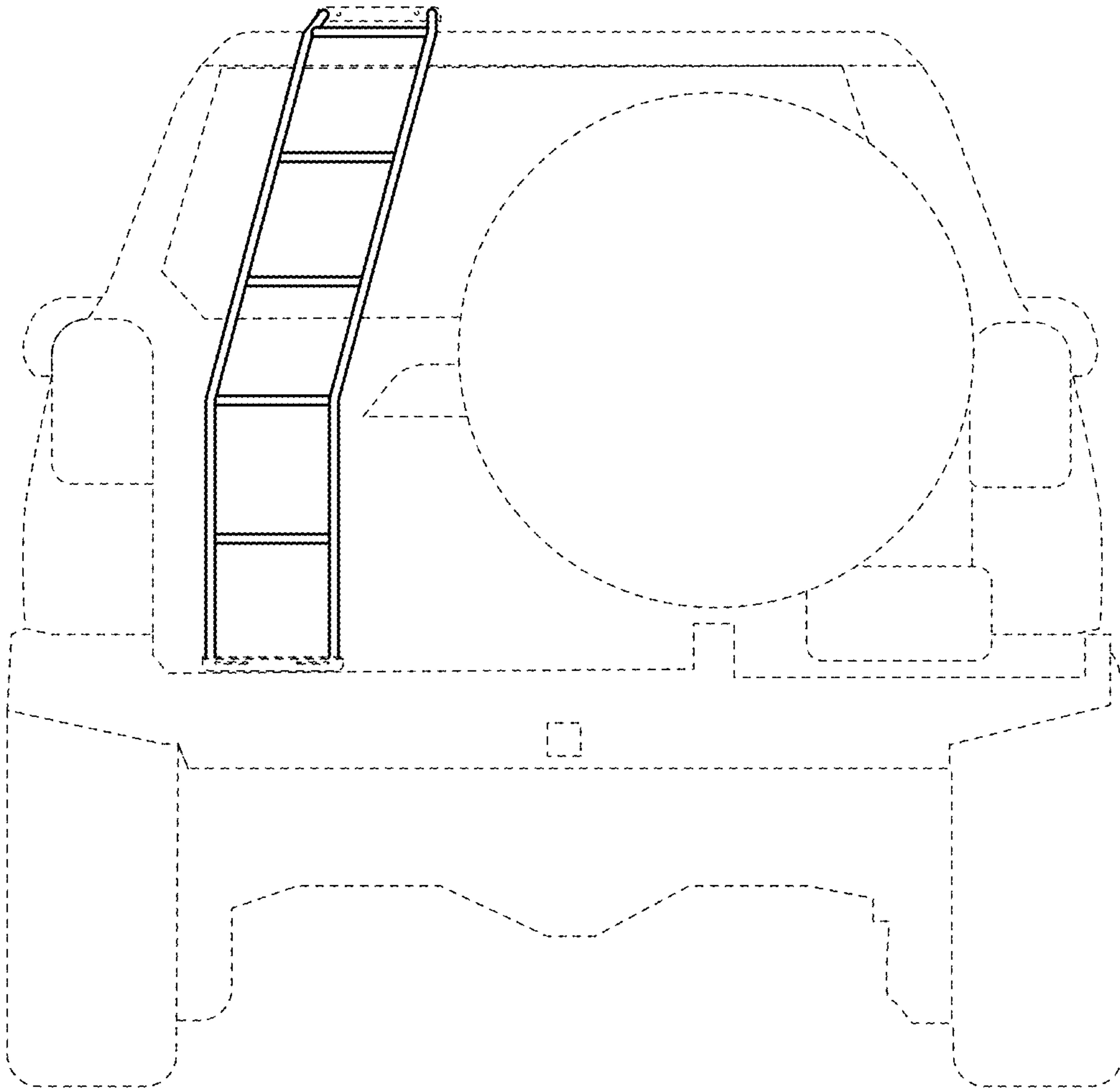


FIG.8