



US00D882118S

(12) **United States Design Patent** (10) **Patent No.:** **US D882,118 S**
Noe (45) **Date of Patent:** **** Apr. 21, 2020**

(54) **TRUSS FOR PATIO ROOFING SYSTEM**

FOREIGN PATENT DOCUMENTS

(71) Applicant: **Renaissance Patio Products LLC**,
Doral, FL (US)

CN 303389198 * 9/2015

(72) Inventor: **Christopher Noe**, Doral, FL (US)

OTHER PUBLICATIONS

(73) Assignee: **RENAISSANCE PATIO PRODUCTS, LLC**, Doral, FL (US)

Alyspan Structural Aluminium Beam Catalog <https://2ecffd01e1ab3e9383f0-07db7b9624bbdf022e3b5395236d5cf8.ssl.cf4.rackcdn.com/Product/e00d5b11-b816-46db-b566-737963086db1.pdf> Feb. 4, 2016 (Year: 2016).*

(**) Term: **15 Years**

* cited by examiner

(21) Appl. No.: **29/643,912**

(22) Filed: **Apr. 12, 2018**

Primary Examiner — Leanne Was-Englehart

(51) **LOC (12) Cl.** **25-02**

(74) *Attorney, Agent, or Firm* — Mark Terry

(52) **U.S. Cl.**

USPC **D25/56**

(57) **CLAIM**

(58) **Field of Classification Search**

USPC D25/55, 56, 61, 119–125, 126, 128, 131,
D25/132, 164

CPC . E04B 2/76; E04B 2/7863; E06B 7/00; E06B
7/08; E06B 7/12; H02G 3/0437; H02G
3/045; F16L 9/22

The ornamental design for a truss for patio roofing system,
as shown and described.

See application file for complete search history.

DESCRIPTION

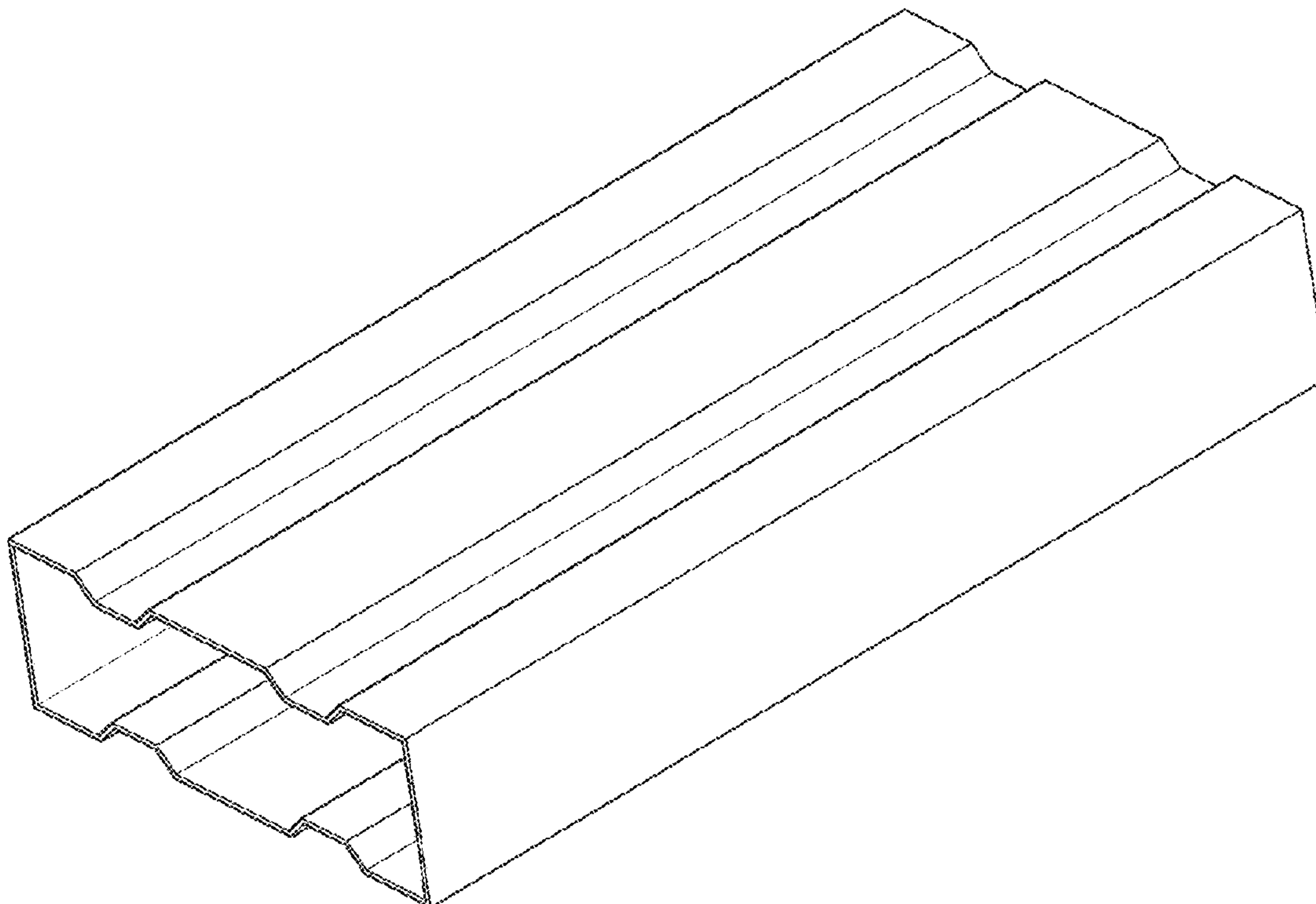
(56) **References Cited**

U.S. PATENT DOCUMENTS

2,186,297 A * 1/1940 Hunnebeck E04B 7/00
52/18
5,655,335 A * 8/1997 Vermeer A01G 9/14
52/66
D790,730 S * 6/2017 Prado Perez D25/58
D850,657 S * 6/2019 Luvison D25/123

FIG. 1 is a side perspective view of a truss for patio roofing system, showing the new design;
FIG. 2 is a top perspective view thereof;
FIG. 3 is a side view thereof;
FIG. 4 is a front view thereof;
FIG. 5 is a top perspective view thereof; and,
FIG. 6 is another side perspective view thereof.

1 Claim, 6 Drawing Sheets



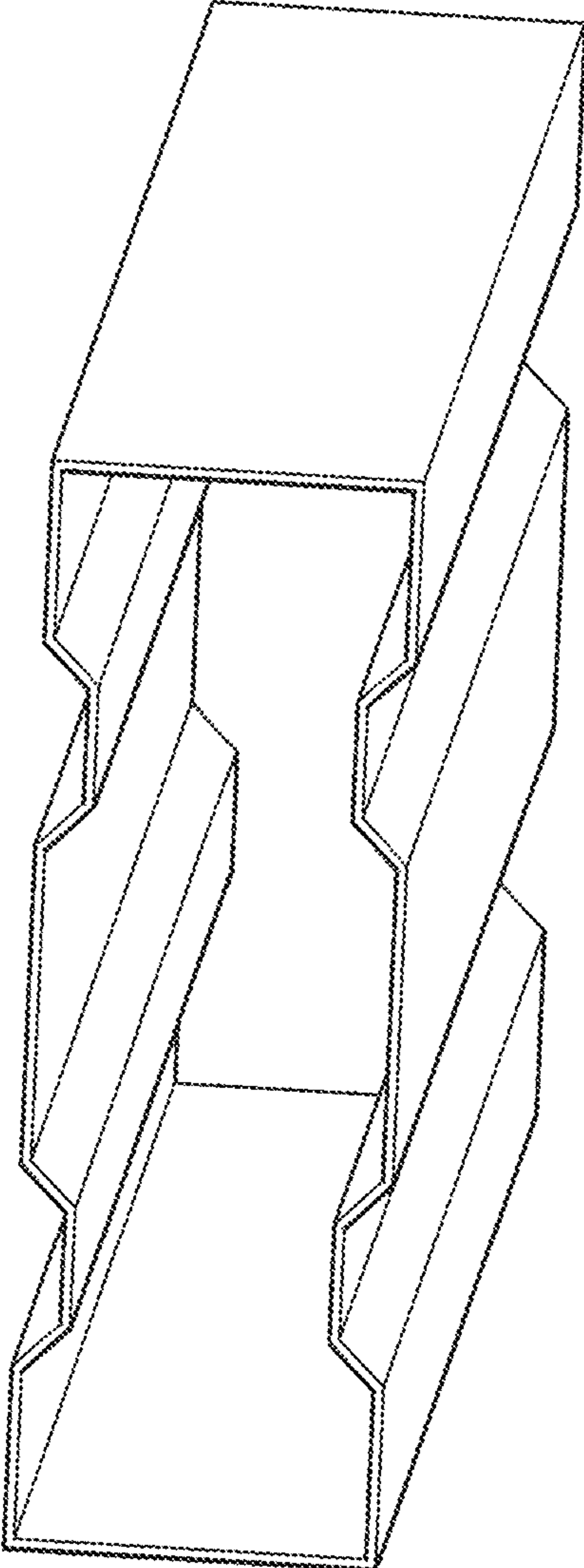


FIG. 1

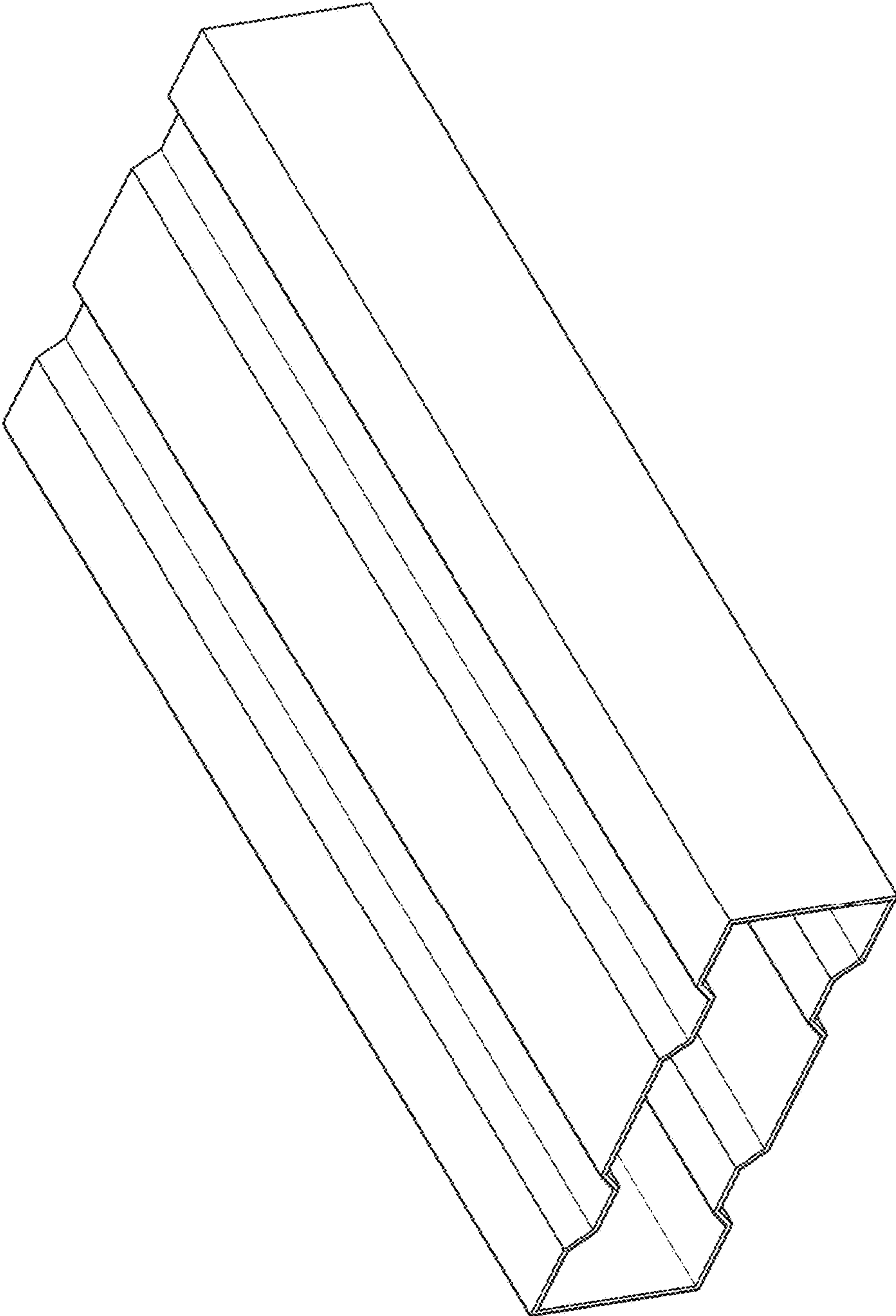


FIG. 2

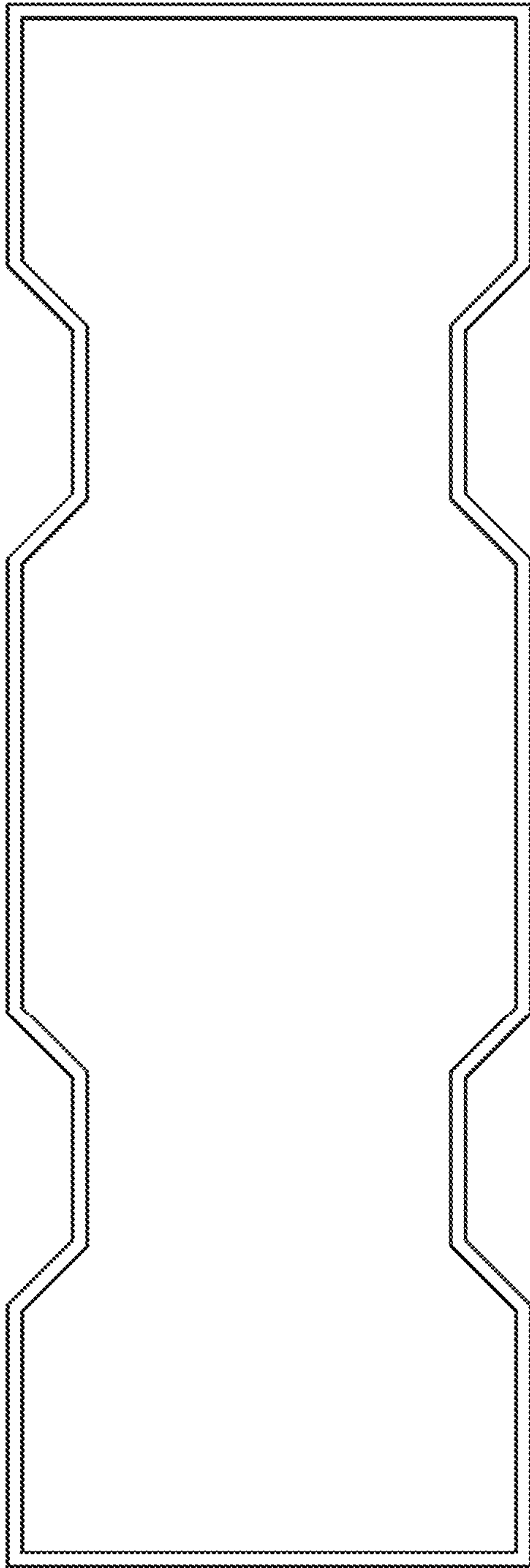


FIG. 3

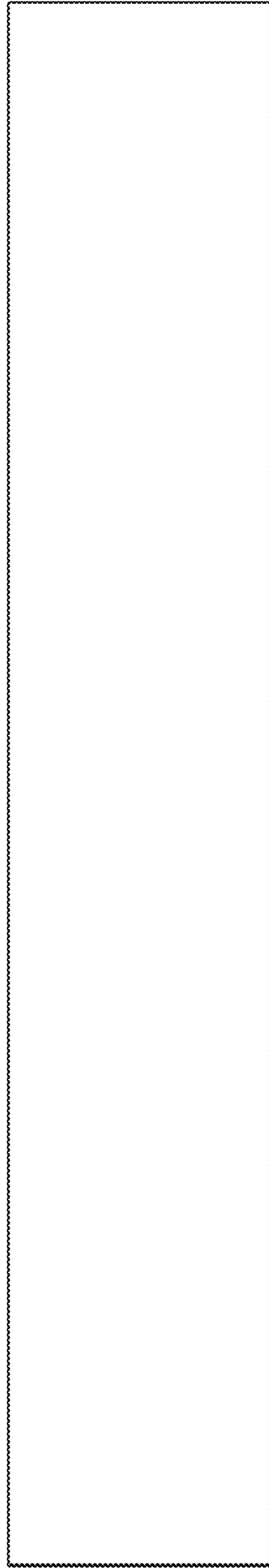


FIG. 4

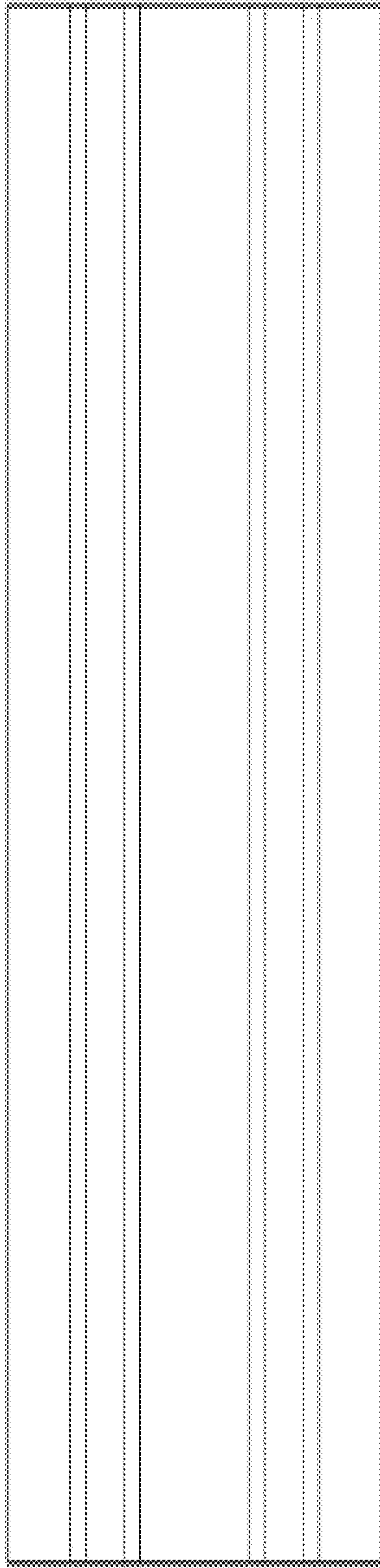


FIG. 5

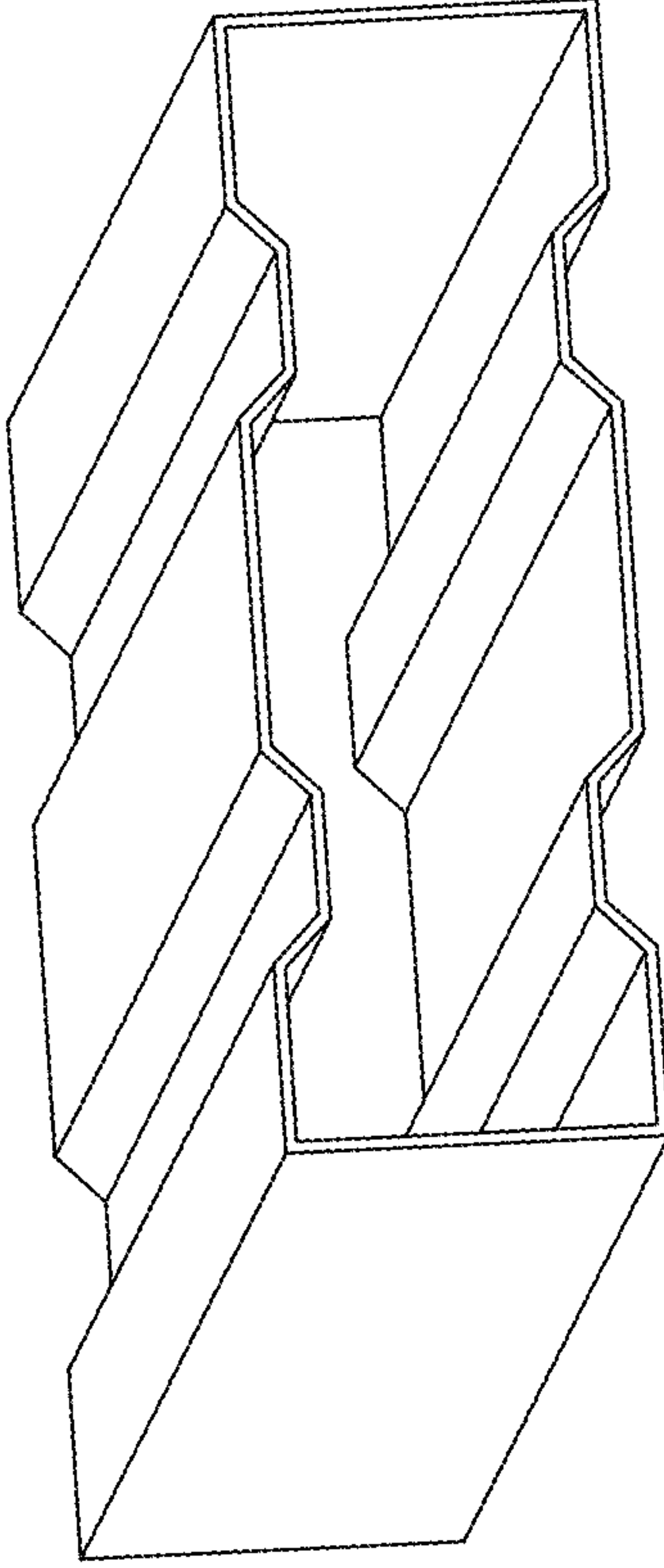


FIG. 6