



US00D882112S

(12) **United States Design Patent**
Jones et al.

(10) **Patent No.:** **US D882,112 S**
(45) **Date of Patent:** **** Apr. 21, 2020**

- (54) **VAPING SYSTEM DEVICE**
- (71) Applicant: **MPRD Ltd.**, Milton Keynes (GB)
- (72) Inventors: **Colin Jones**, Sandy (GB); **Jason Chapman**, Bletchley (GB)
- (73) Assignee: **MPRD Ltd.**, Milton Keynes (GB)
- (**) Term: **15 Years**
- (21) Appl. No.: **29/645,881**
- (22) Filed: **Apr. 30, 2018**

D537,552 S *	2/2007	Monroe	D26/71
D639,938 S *	6/2011	Blanco	D24/129
D713,093 S *	9/2014	Sun	D26/142
D790,692 S *	6/2017	Pappalardo	D24/130
D833,004 S *	11/2018	Leonard	D24/127
D836,209 S *	12/2018	Ling	D24/223

(30) **Foreign Application Priority Data**

Feb. 9, 2018 (EM) 004703437-001

(51) **LOC (12) Cl.** **24-02**

(52) **U.S. Cl.**
USPC **D24/223**

(58) **Field of Classification Search**
USPC D24/127-131, 112-114, 133, 186, 216,
D24/217, 223, 224; D26/72, 87, 92, 142;
D7/596

CPC A24F 47/008; E05D 3/02
See application file for complete search history.

(56) **References Cited**

U.S. PATENT DOCUMENTS

621,042 A *	3/1899	Davis	A47K 3/285 4/617
D200,346 S *	2/1965	Ciccone	D24/217
D359,120 S *	6/1995	Sallee	D24/130
D400,998 S *	11/1998	Leen	D26/71

OTHER PUBLICATIONS

New Vape Product Testing Machine. Online, published date Sep. 20, 2017. Retrieved on Jul. 19, 2019 from URL: <https://www.cerulean.com/en/news/new-vape-product-testing-machine>.*

* cited by examiner

Primary Examiner — Susan Bennett Hattan

Assistant Examiner — Omeed Agilee

(74) *Attorney, Agent, or Firm* — Woodard Emhardt Henry Reeves & Wagner LLP

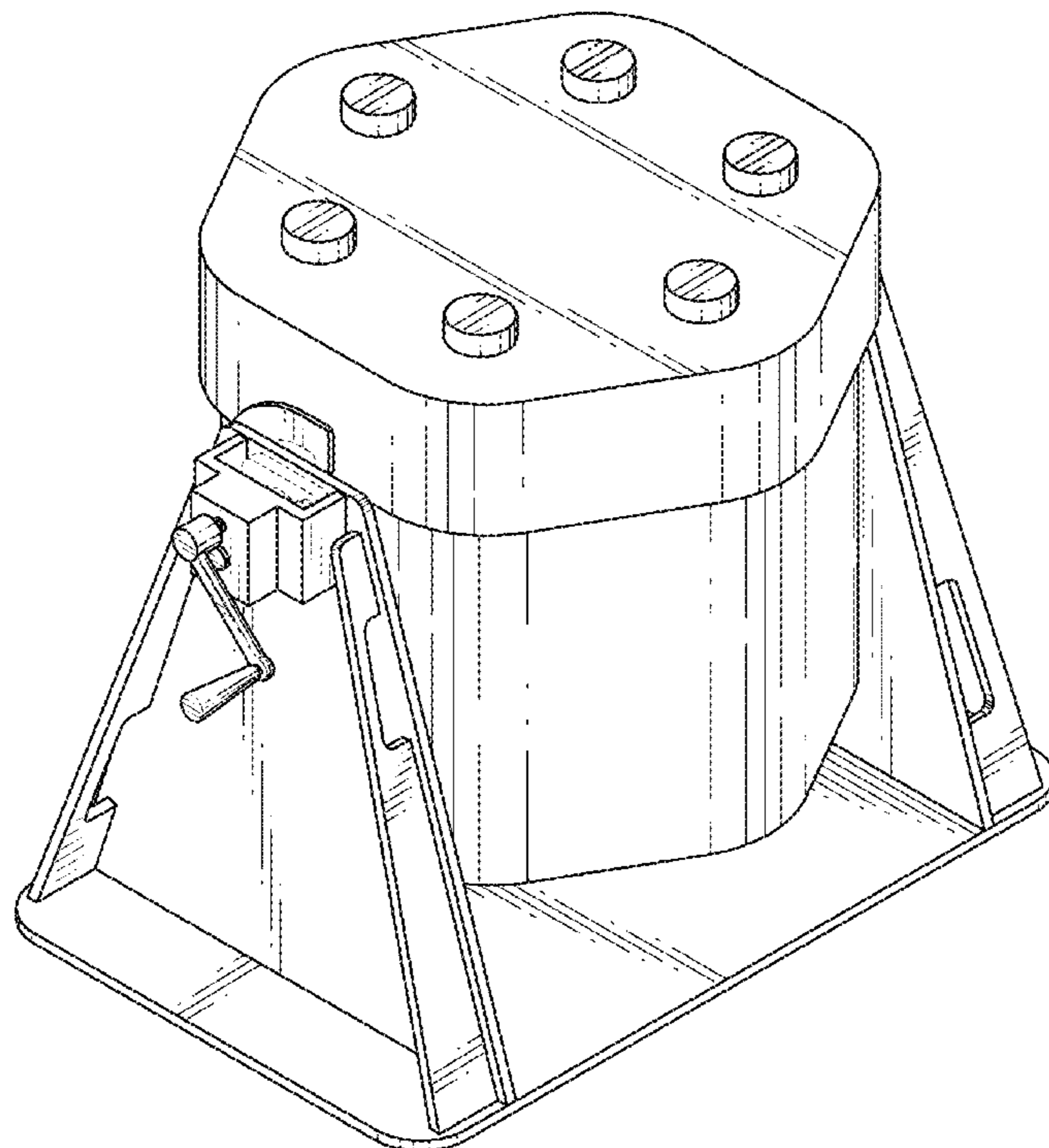
(57) **CLAIM**

The ornamental design for a vaping system device, as shown and described.

DESCRIPTION

FIG. 1 is a front left perspective view of the vaping system device showing our new design;
FIG. 2 is a front right perspective view thereof;
FIG. 3 is a left side elevational view thereof;
FIG. 4 is a front elevational view thereof;
FIG. 5 is a right side elevational view thereof;
FIG. 6 is a top plan view thereof; and,
FIG. 7 is a bottom perspective view thereof.

1 Claim, 7 Drawing Sheets



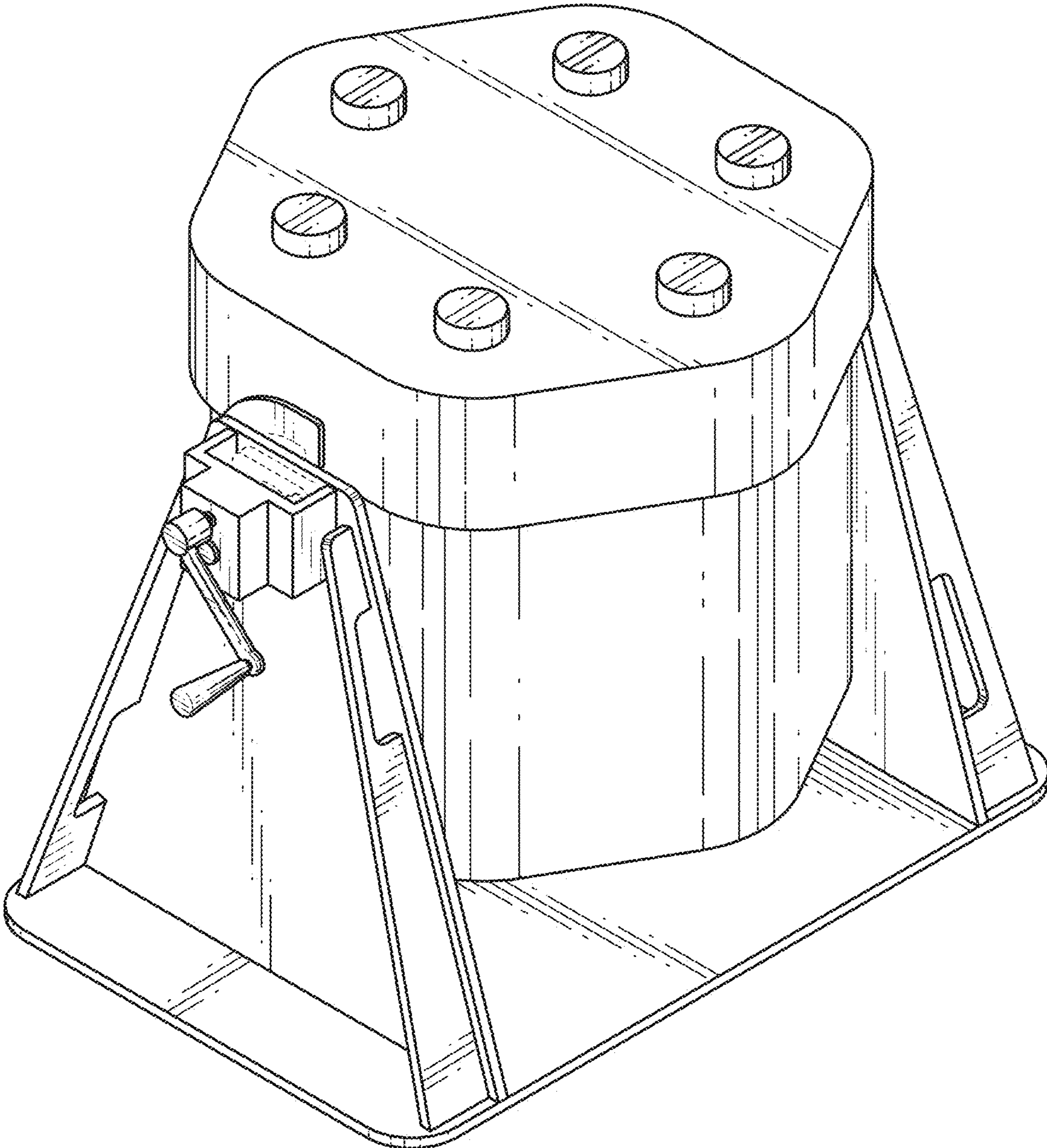


FIG. 1

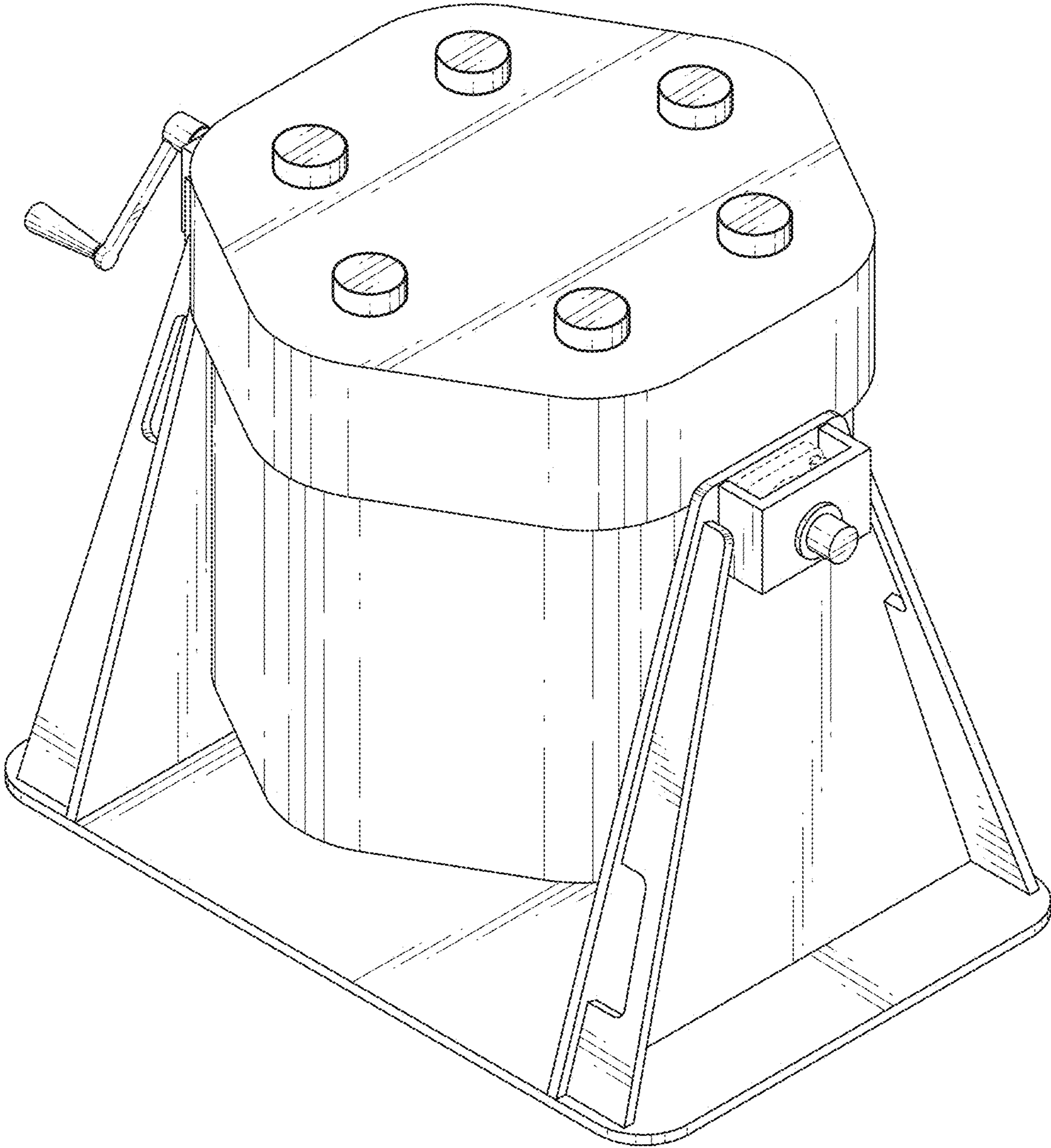


FIG. 2

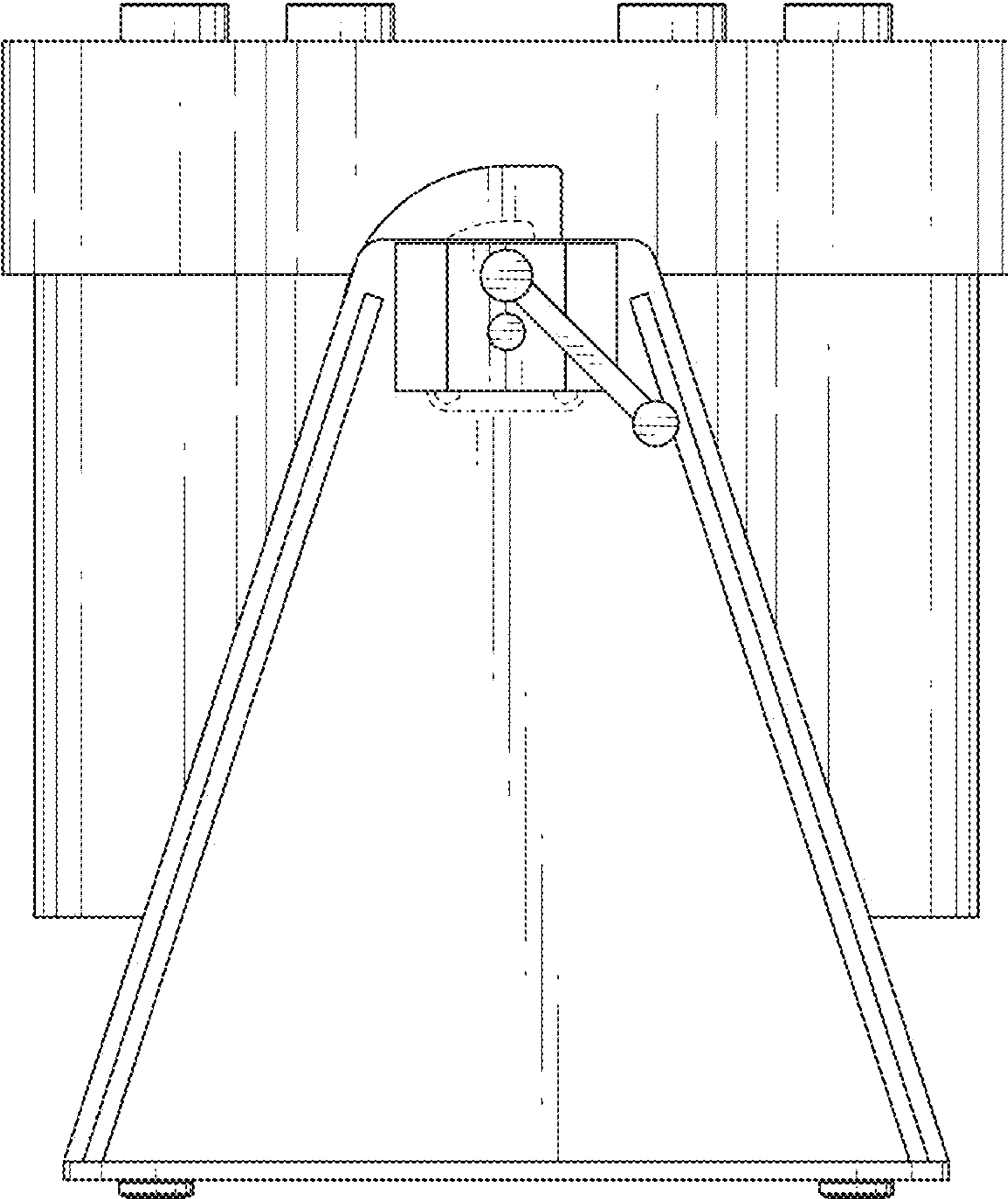


FIG. 3

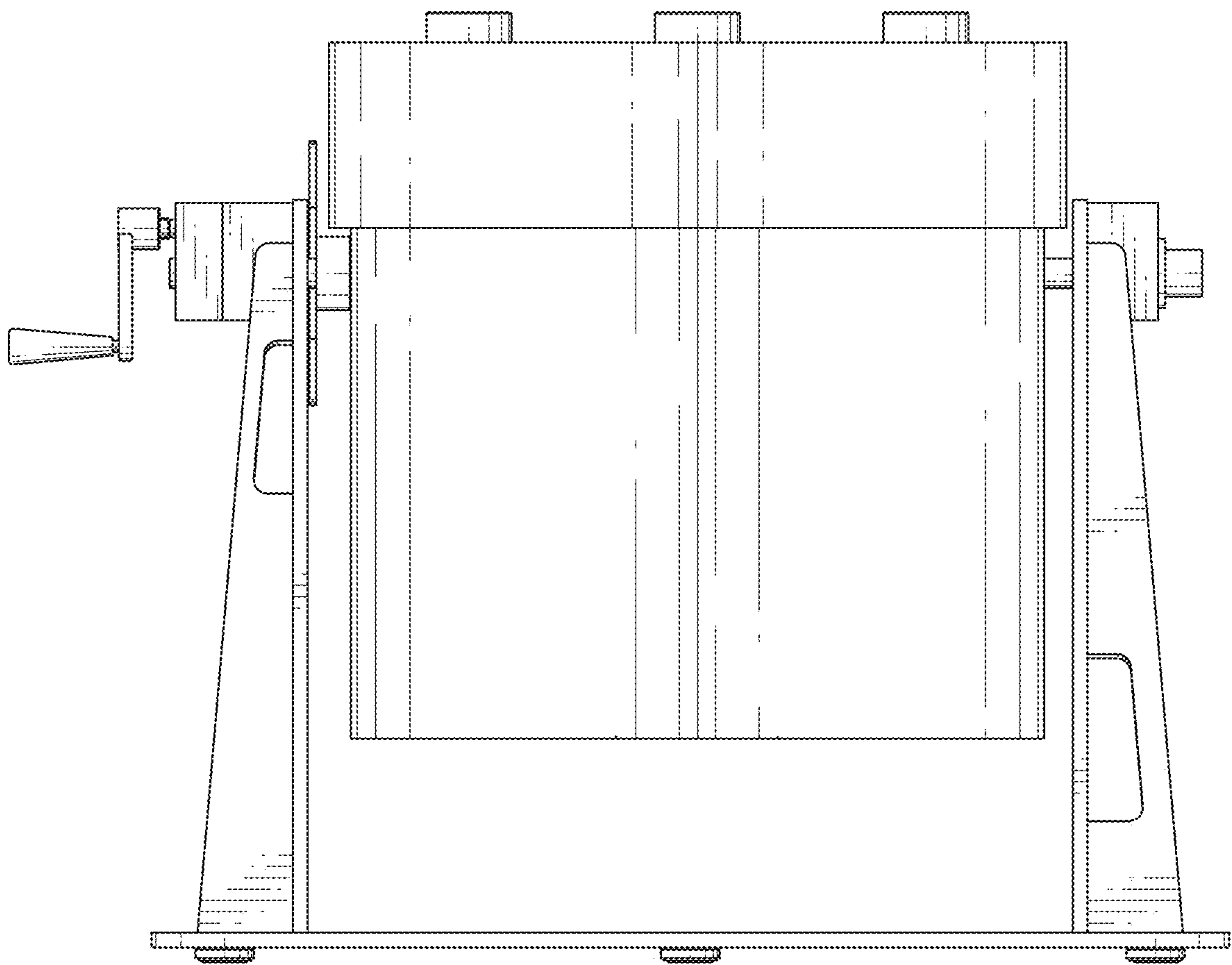


FIG. 4

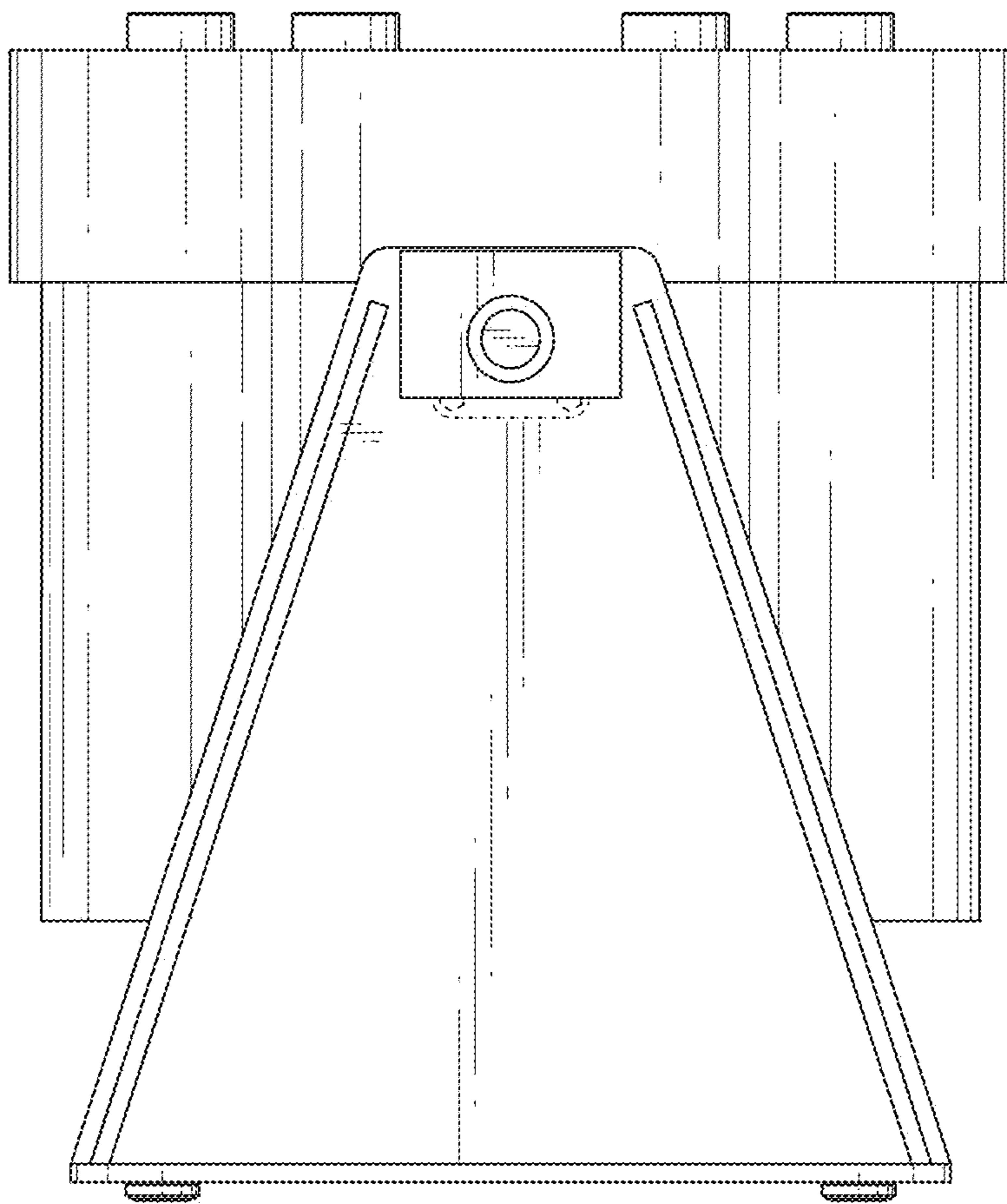


FIG. 5

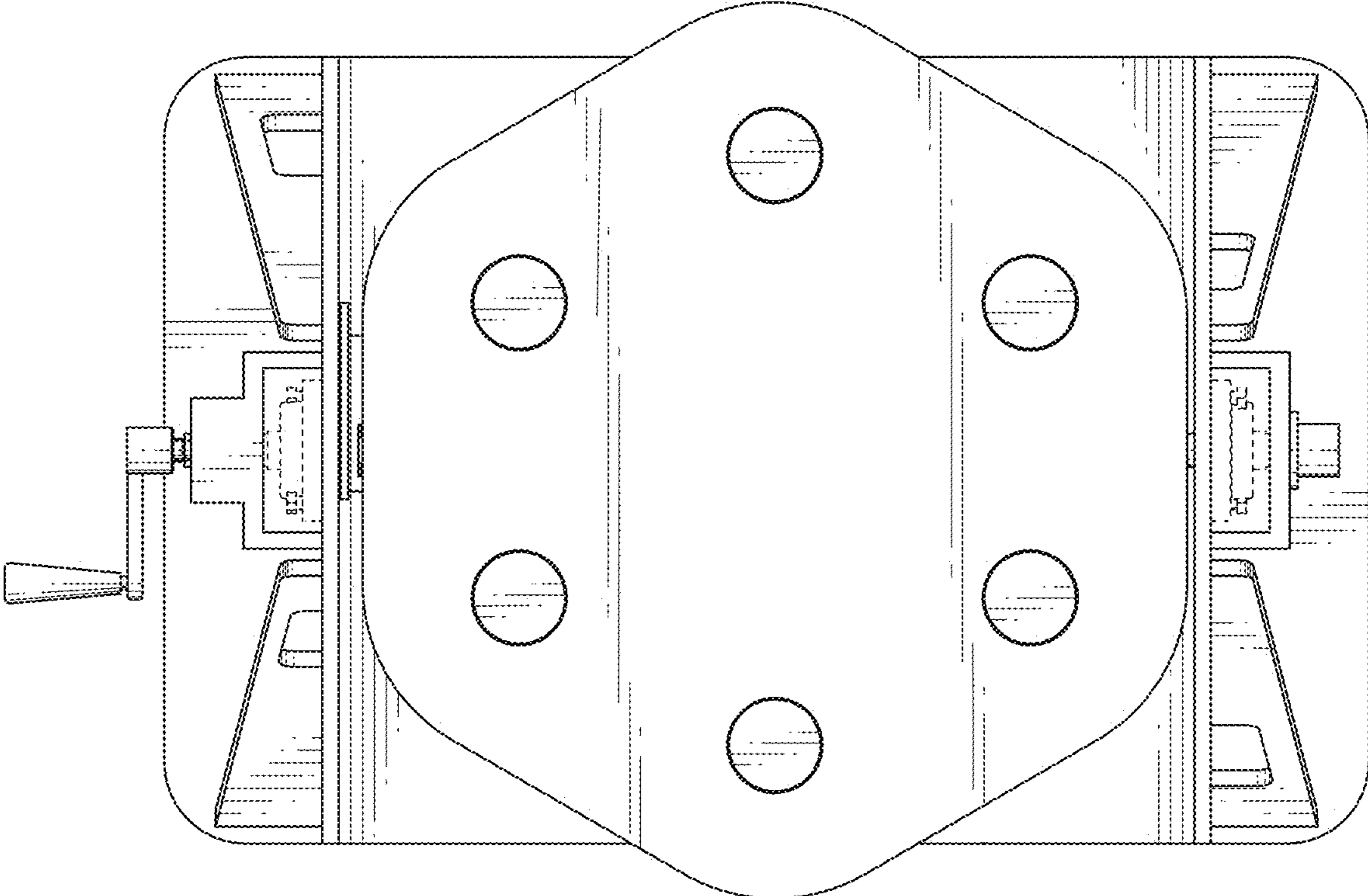


FIG. 6

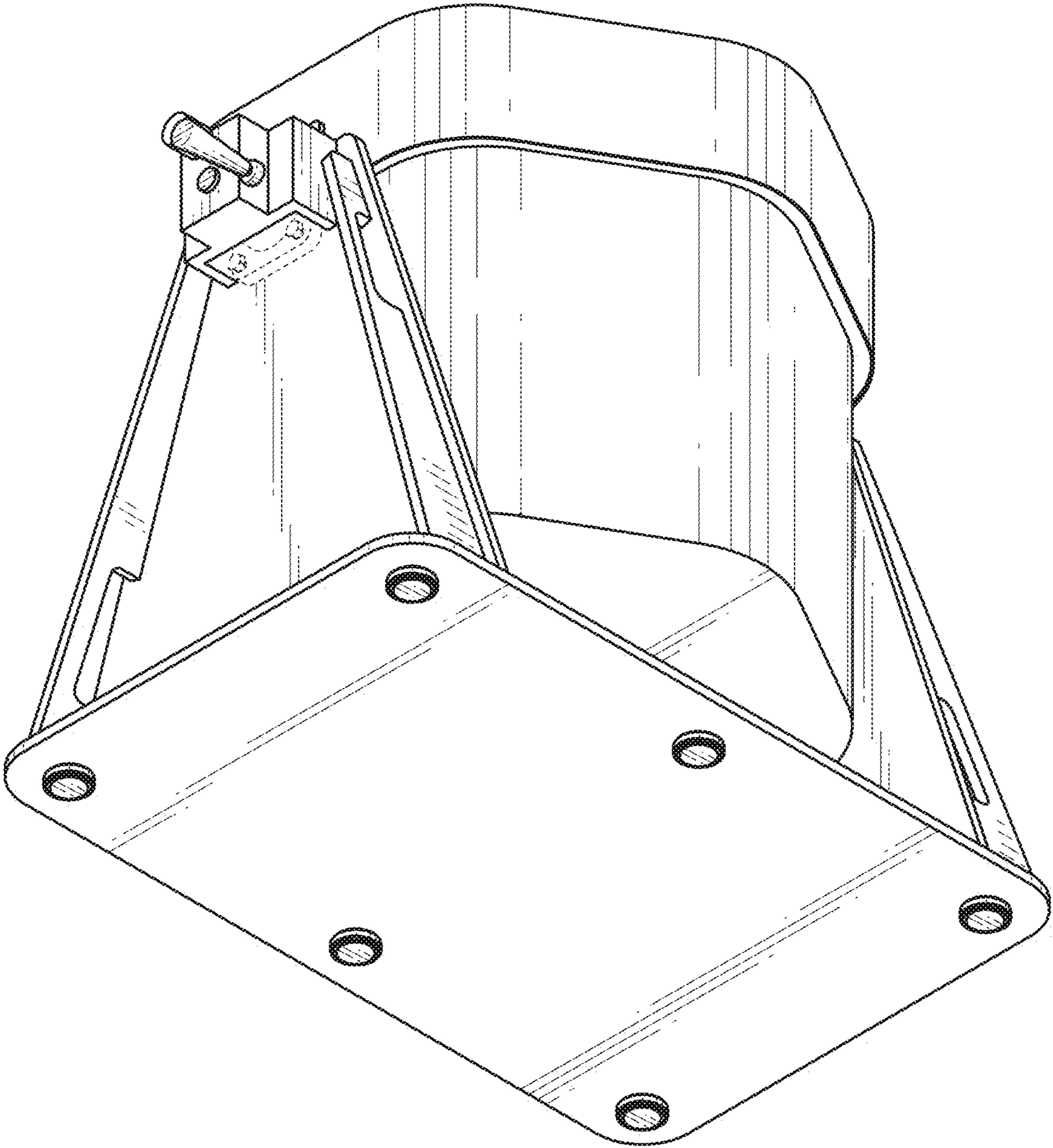


FIG. 7