



US00D882106S

(12) **United States Design Patent** (10) **Patent No.:** **US D882,106 S**  
**Qiu** (45) **Date of Patent:** **\*\* Apr. 21, 2020**

(54) **SEX TOY**  
(71) Applicant: **Chongde Qiu**, Guangdong (CN)  
(72) Inventor: **Chongde Qiu**, Guangdong (CN)  
(\*\*) Term: **15 Years**  
(21) Appl. No.: **29/714,082**  
(22) Filed: **Nov. 21, 2019**  
(51) **LOC (12) Cl.** ..... **28-03**  
(52) **U.S. Cl.**  
USPC ..... **D24/215**  
(58) **Field of Classification Search**  
USPC ..... 601/15, 18, 19, 46, 47, 48, 52, 99, 112,  
601/113, 118, 125, 129, 134, 135, 137,  
601/DIG. 12, DIG. 14, DIG. 15, DIG. 16,  
601/DIG. 17; D24/133, 200, 211, 212,  
D24/213, 214, 215; 600/38, 39, 40, 41  
CPC ..... A61H 23/004; A61H 1/00; A61H  
2201/0153; A61H 7/001; A61H 7/002;  
A61H 7/007  
See application file for complete search history.

(56) **References Cited**  
U.S. PATENT DOCUMENTS  
7,044,938 B2 \* 5/2006 La Bianco ..... A61B 17/54  
401/133  
D592,313 S \* 5/2009 Levine ..... D24/214  
D610,692 S \* 2/2010 Heilman ..... D24/211  
D636,888 S \* 4/2011 Nikitzuk ..... D24/215  
D652,945 S 1/2012 Chen  
8,439,853 B2 \* 5/2013 Shimada ..... A61F 7/007  
601/15  
D696,413 S \* 12/2013 Tai ..... D24/215  
D828,925 S \* 9/2018 Levi ..... D24/214  
D837,996 S \* 1/2019 Sugimoto ..... D24/215

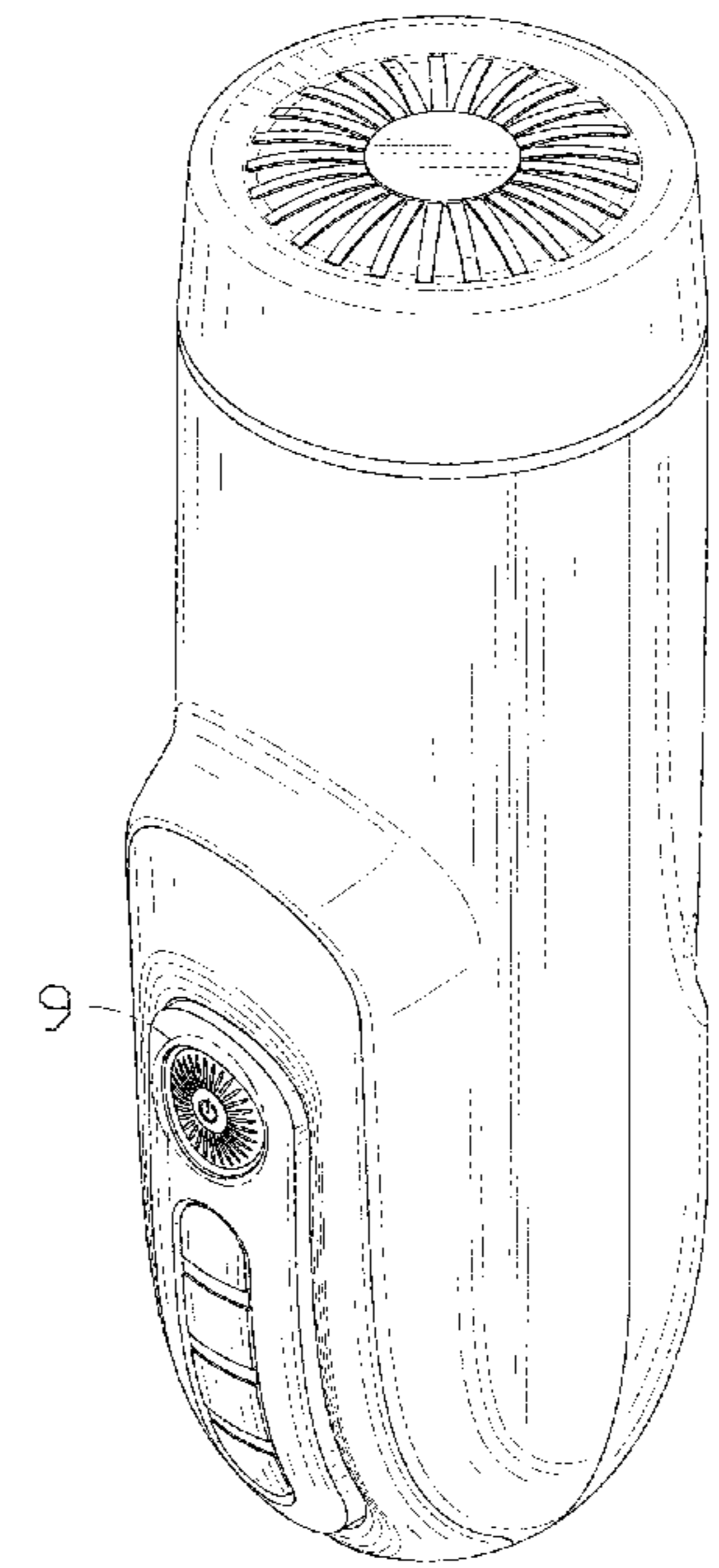
D868,988 S \* 12/2019 Lieberman ..... D24/215  
D870,305 S \* 12/2019 Yamazaki ..... D24/214  
D870,308 S \* 12/2019 Samarasinha ..... D24/215  
D871,591 S \* 12/2019 Lauroenen ..... D24/200  
2011/0071445 A1 \* 3/2011 Imboden ..... A61H 19/30  
601/46  
2012/0165710 A1 \* 6/2012 Nichols ..... A61H 7/005  
601/72  
2013/0158453 A1 \* 6/2013 Brouillette ..... A61B 17/225  
601/47  
2015/0283025 A1 \* 10/2015 Ledany ..... A61H 23/0263  
601/18  
2017/0071818 A1 \* 3/2017 Chen ..... A61H 19/44  
2019/0350799 A1 \* 11/2019 Matossian ..... A61H 1/00

\* cited by examiner  
*Primary Examiner* — Cynthia Ramirez  
*Assistant Examiner* — Michael A Maharajh  
(74) *Attorney, Agent, or Firm* — Jie Yang; ZANIP

(57) **CLAIM**  
The ornamental design for a sex toy, as shown and described.

**DESCRIPTION**  
FIG. 1 is a front and top perspective view of a sex toy, showing my new design;  
FIG. 2 is a rear and bottom perspective view thereof;  
FIG. 3 is a front elevational view thereof;  
FIG. 4 is a rear elevational view thereof;  
FIG. 5 is a left side elevational view thereof;  
FIG. 6 is a right side elevational view thereof;  
FIG. 7 is a top plan view thereof;  
FIG. 8 is a bottom plan view thereof; and,  
FIG. 9 is an enlarged view of a portion indicated in FIG. 1.  
The broken lines in the figures illustrate portions of the sex toy that form no part of the claimed design.

**1 Claim, 9 Drawing Sheets**



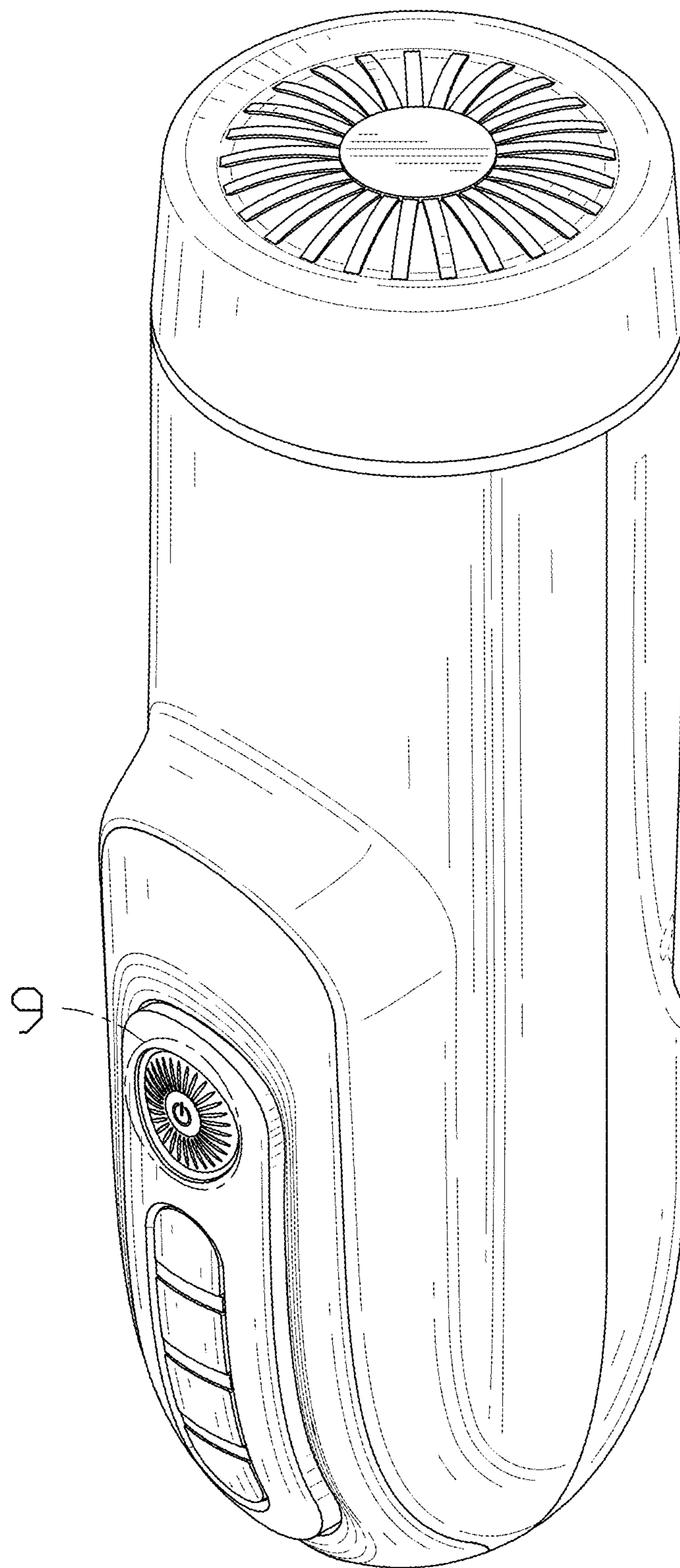


FIG. 1

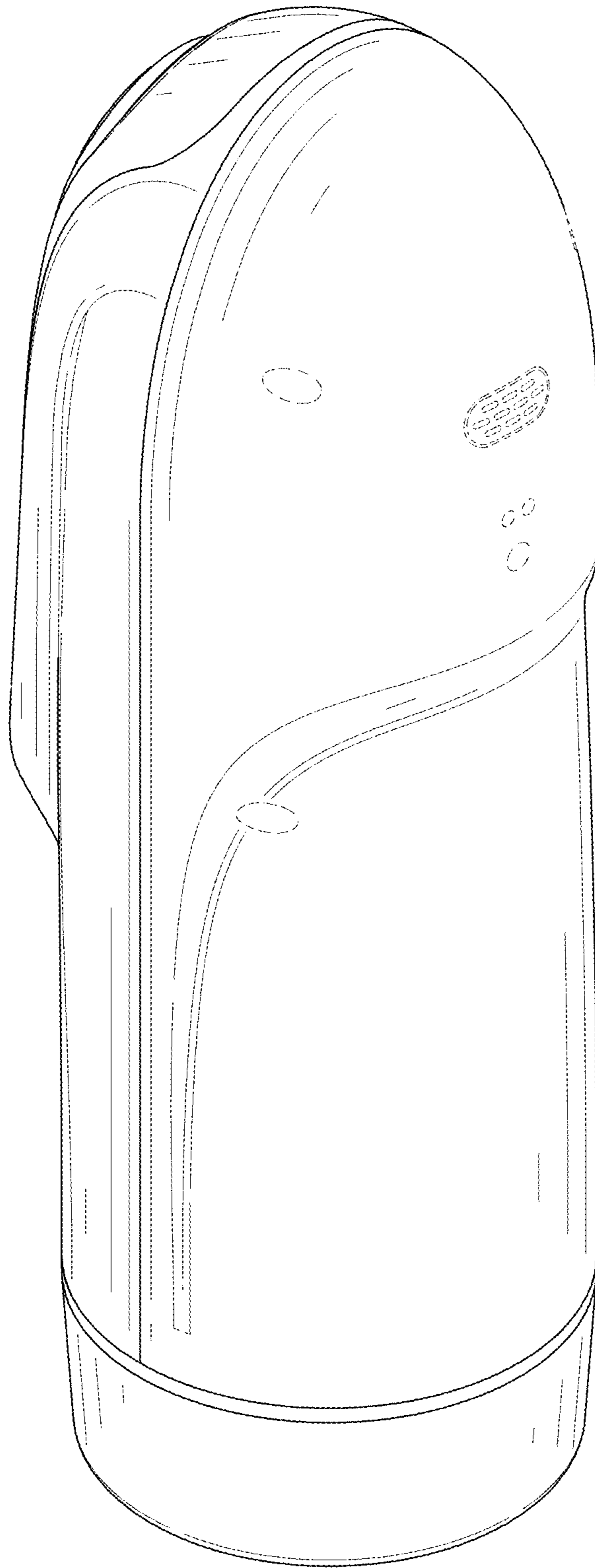


FIG. 2

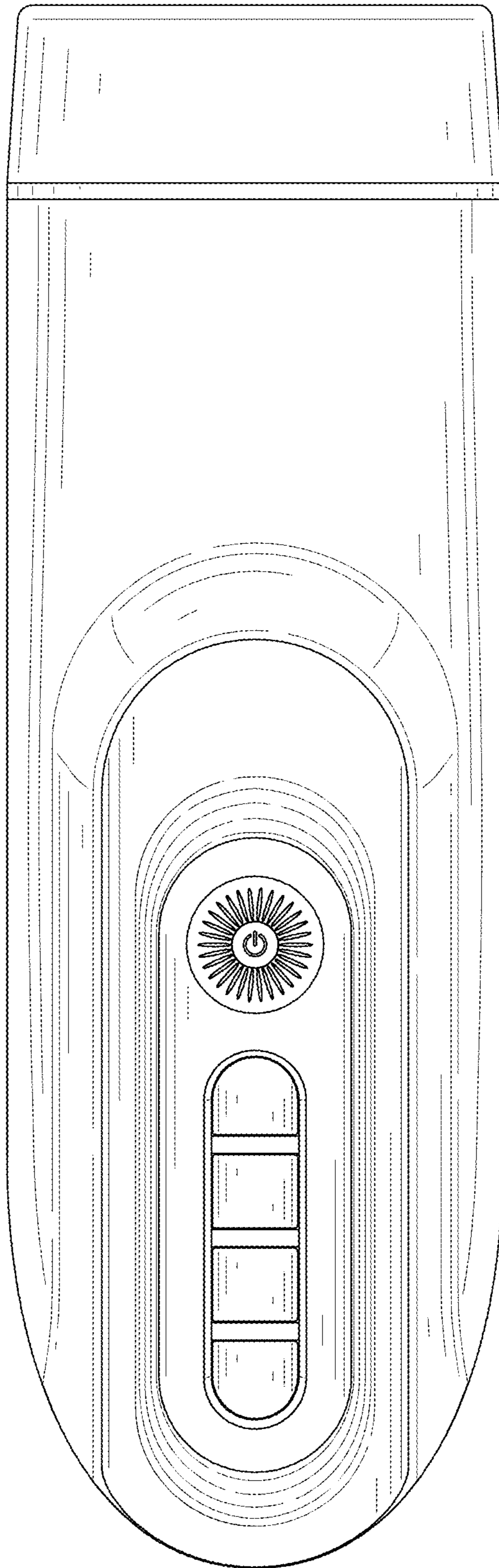


FIG. 3

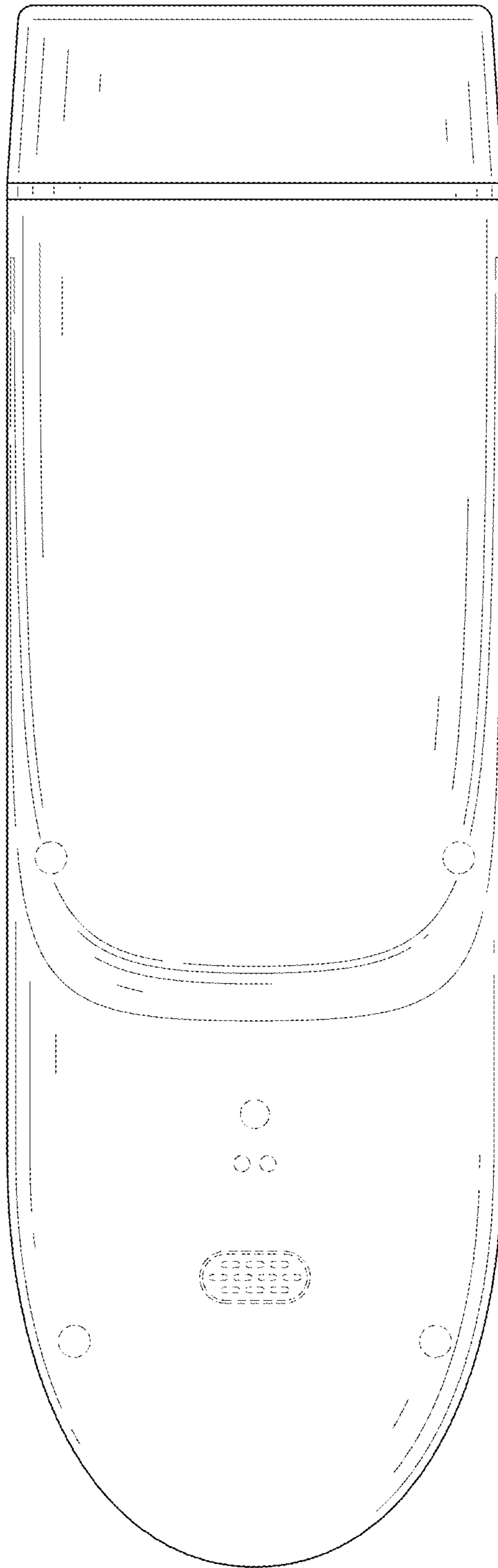


FIG. 4

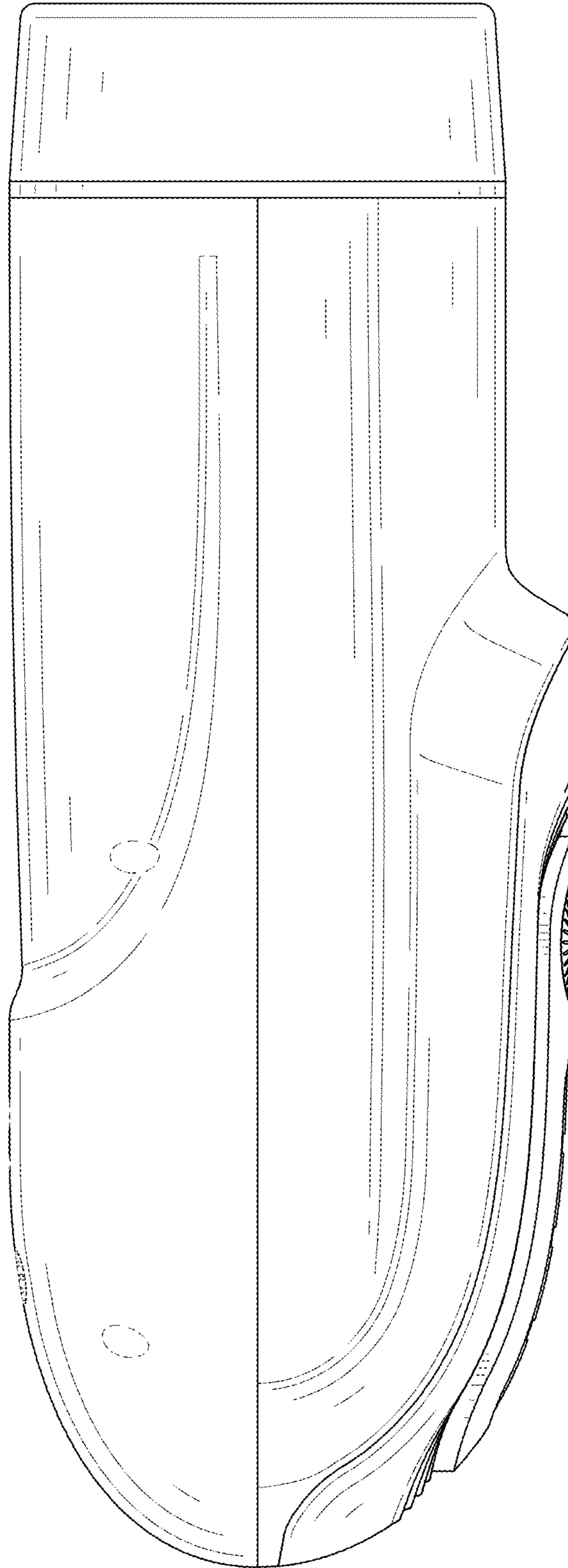


FIG. 5

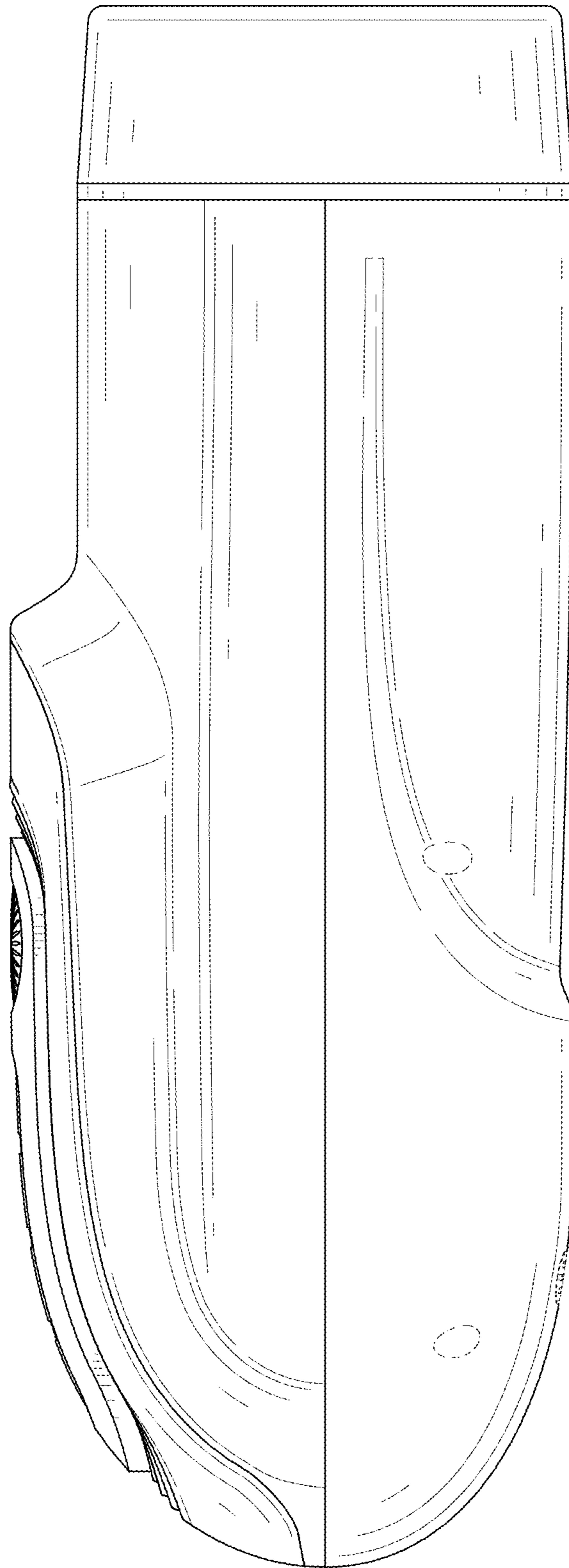


FIG. 6

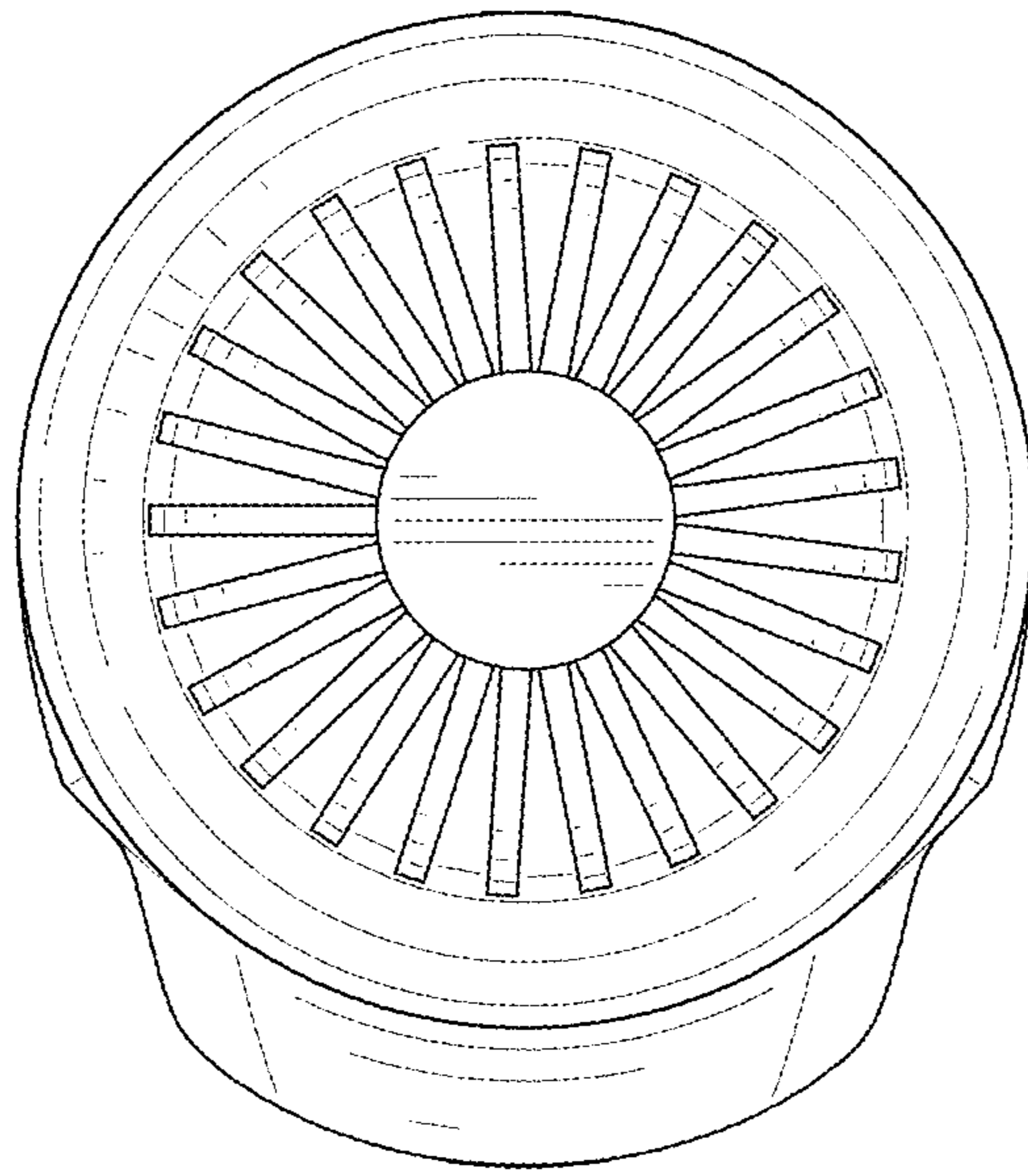


FIG. 7



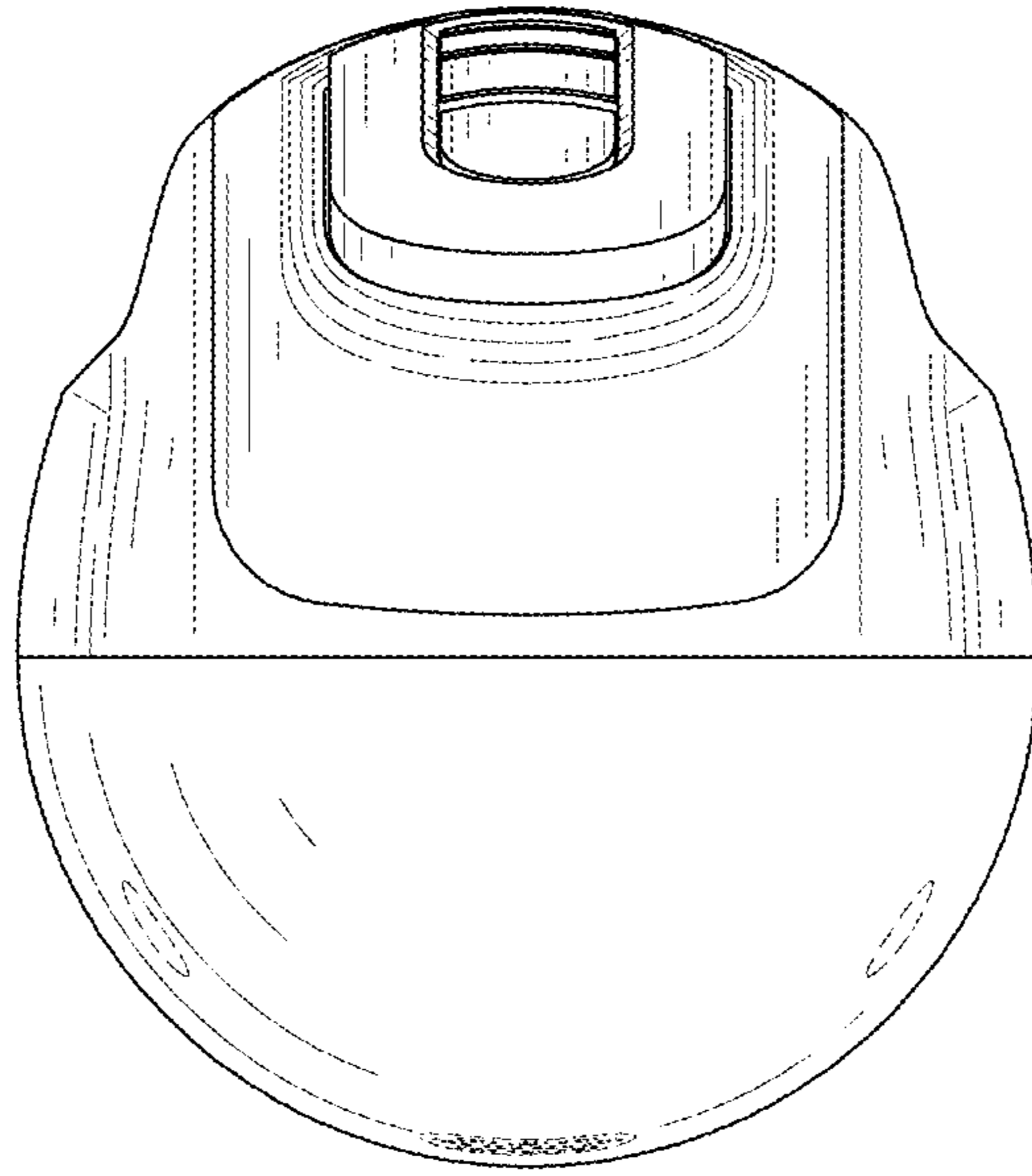


FIG. 8

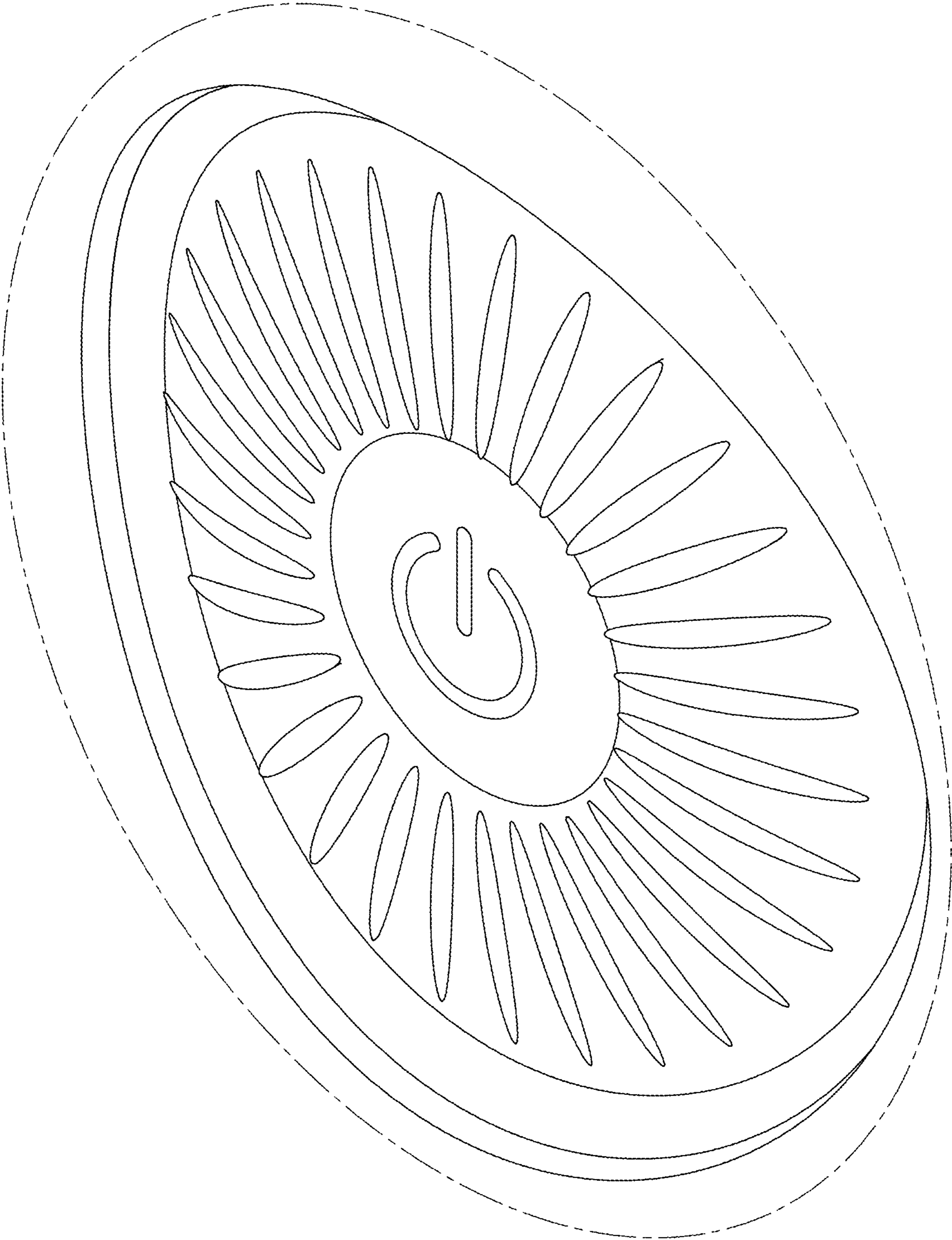


FIG. 9