



US00D882102S

(12) **United States Design Patent** (10) **Patent No.:** **US D882,102 S**
Shenfarber (45) **Date of Patent:** **** Apr. 21, 2020**

(54) **LED INFRARED HAIR-TREATMENT DEVICE**

(71) Applicant: **OMM Imports, Inc.**, Doral, FL (US)

(72) Inventor: **Moti Shenfarber**, Doral, FL (US)

(73) Assignee: **OMM Imports, Inc.**, Doral, FL (US)

(**) Term: **15 Years**

(21) Appl. No.: **29/657,967**

(22) Filed: **Jul. 26, 2018**

(51) **LOC (12) Cl.** **24-01**

(52) **U.S. Cl.**
USPC **D24/209**

(58) **Field of Classification Search**

USPC D24/107, 186, 158, 231, 200, 209, 210,
D24/214, 215, 187, 133, 146, 147, 211,
D24/212, 213; D26/37-39; D28/7, 9,
D28/10, 76, 85; D4/100, 101, 102, 136,
D4/138

CPC A61N 5/0616; A61N 5/0617; A61N 5/062;
A61N 5/0627; A61N 5/0625; A61N
2005/0643; A61N 2005/0644; A61N
2005/0645; A61N 2005/0647; A61N
2005/0651; A61N 2005/0652; A61B
2018/00452; A61B 2018/1807; A61B
17/1325; A61H 2201/0153; A61H 7/007;
A61H 15/0085; A61H 2015/0014

See application file for complete search history.

(56) **References Cited**

U.S. PATENT DOCUMENTS

D442,331 S *	5/2001	Pannozzo	D28/7
D452,044 S *	12/2001	Goetschi	D28/20
D457,730 S *	5/2002	McCurrach	D28/10
D575,407 S	8/2008	Treadwell et al.		
D596,748 S	7/2009	Oberreiter et al.		
D612,510 S	3/2010	Byle		
D621,949 S	8/2010	Seki et al.		

D621,950 S	8/2010	Seki et al.		
D734,479 S	7/2015	Youngquist et al.		
D819,208 S *	5/2018	Lam	D24/147
D828,571 S *	9/2018	Lee	D24/214
D836,344 S *	12/2018	Keong	D4/100
D840,546 S *	2/2019	Xiangmei	D24/209
D846,885 S *	4/2019	Khoun	D4/117
2008/0140164 A1	6/2008	Oberreiter et al.		

(Continued)

OTHER PUBLICATIONS

Hair Growth Comb Electric Regrowth Hair Massager Brush Anti Hair Loss, posted at amazon.com, online, no posting date, URL: https://www.amazon.com/Growth-Electric-Regrowth-Massager-Brush/dp/B07F8NFNQ4/ref=sr_1_4?keywords=infrared+hair+treatment+devic (Year: 2019).*

Primary Examiner — Barbara Fox

Assistant Examiner — Mary Shannon Malley

(74) *Attorney, Agent, or Firm* — The Concept Law Group, PA; Scott D. Smiley; Scott M. Garrett

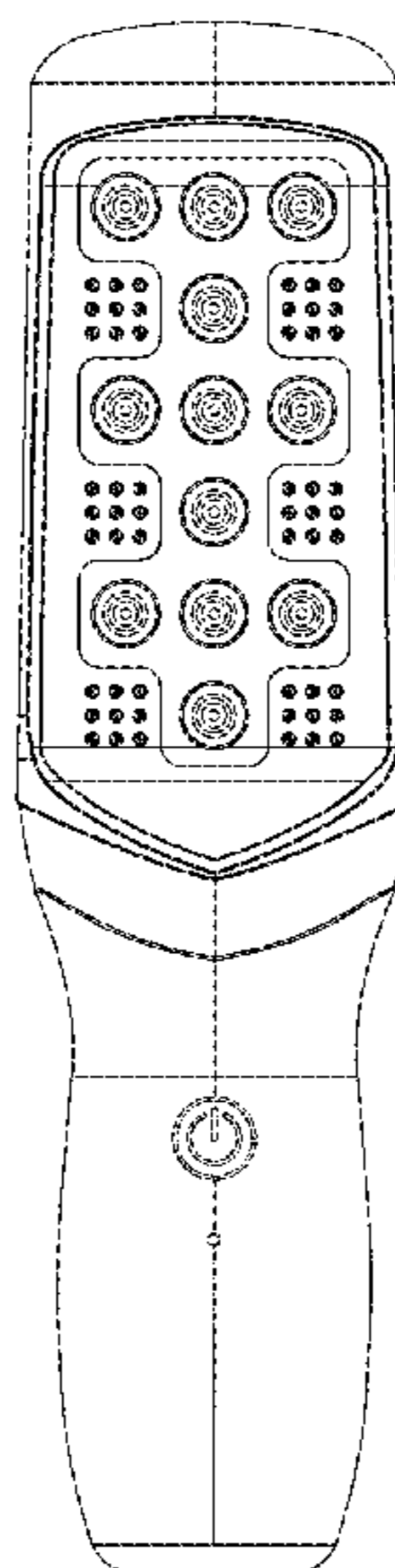
(57) **CLAIM**

The ornamental design for a LED infrared hair-treatment device, as shown and described.

DESCRIPTION

FIG. 1 is a front-elevational view of an LED infrared hair-treatment device showing my new design; FIG. 2 is a left-side elevational view of the device of FIG. 1; FIG. 3 is a right-side elevational view of the device of FIG. 1; FIG. 4 is a rear-elevational view of the device of FIG. 1; FIG. 5 is a bottom plan view of the device of FIG. 1; FIG. 6 is top plan view of the device of FIG. 1; and, FIG. 7 is a perspective view of the device of FIG. 1. The broken lines show portions of the LED infrared hair-treatment device that form no part of the claimed design.

1 Claim, 6 Drawing Sheets



(56)

References Cited

U.S. PATENT DOCUMENTS

2012/0123305 A1* 5/2012 Pearl A61N 5/0617
601/15
2014/0128780 A1 5/2014 Kennedy et al.
2016/0121108 A1* 5/2016 Kondo A61H 7/005
601/2
2018/0015299 A1* 1/2018 Kawa A61N 5/0617
2018/0178032 A1* 6/2018 Pilcher A61N 5/0616
2019/0126061 A1* 5/2019 Hong A61N 5/0617

* cited by examiner

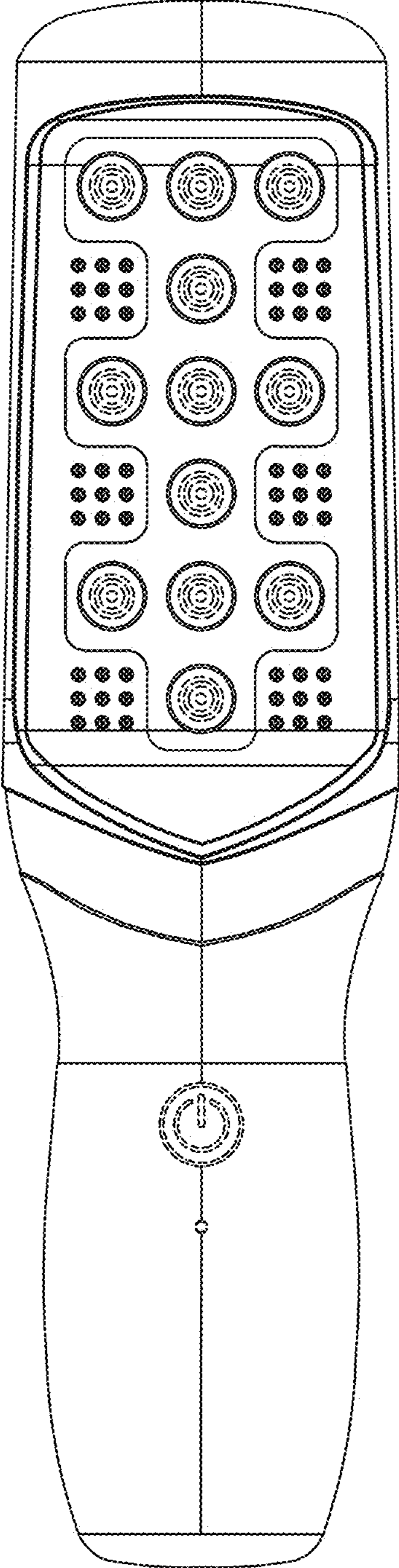


FIG. 1

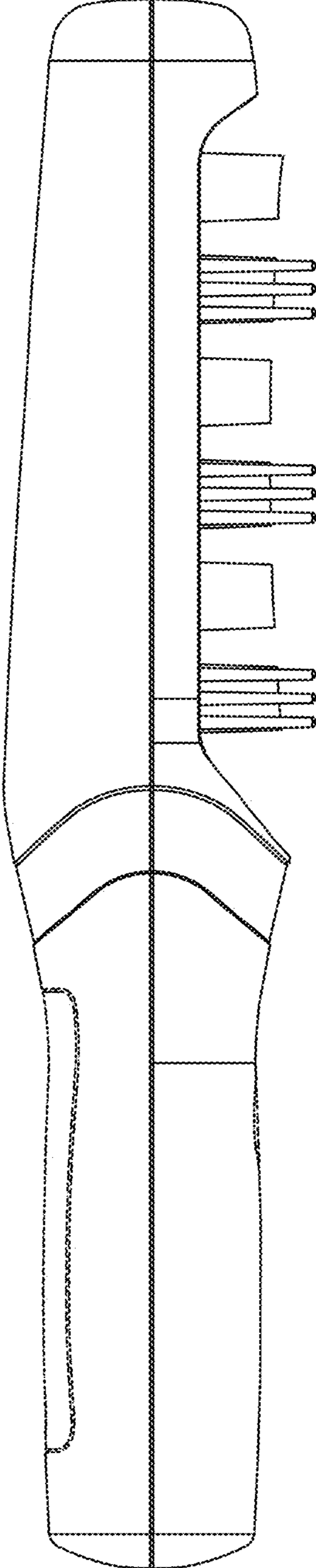


FIG. 2

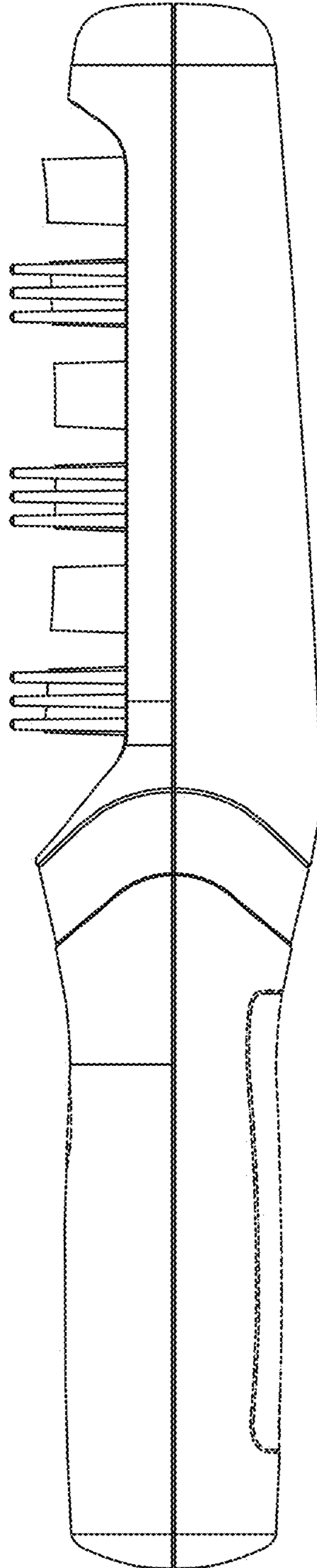


FIG. 3

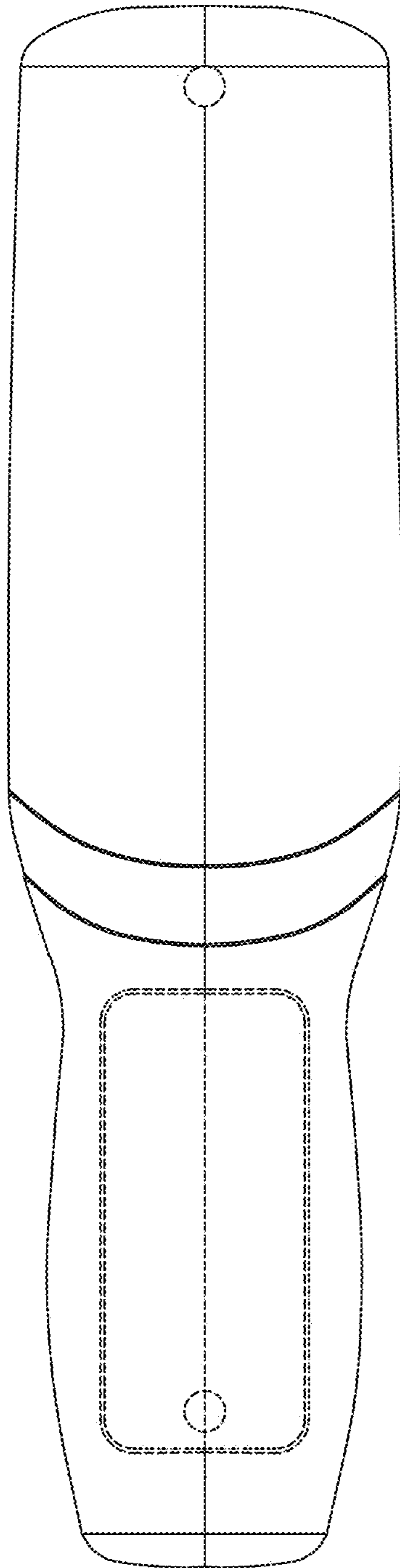


FIG. 4

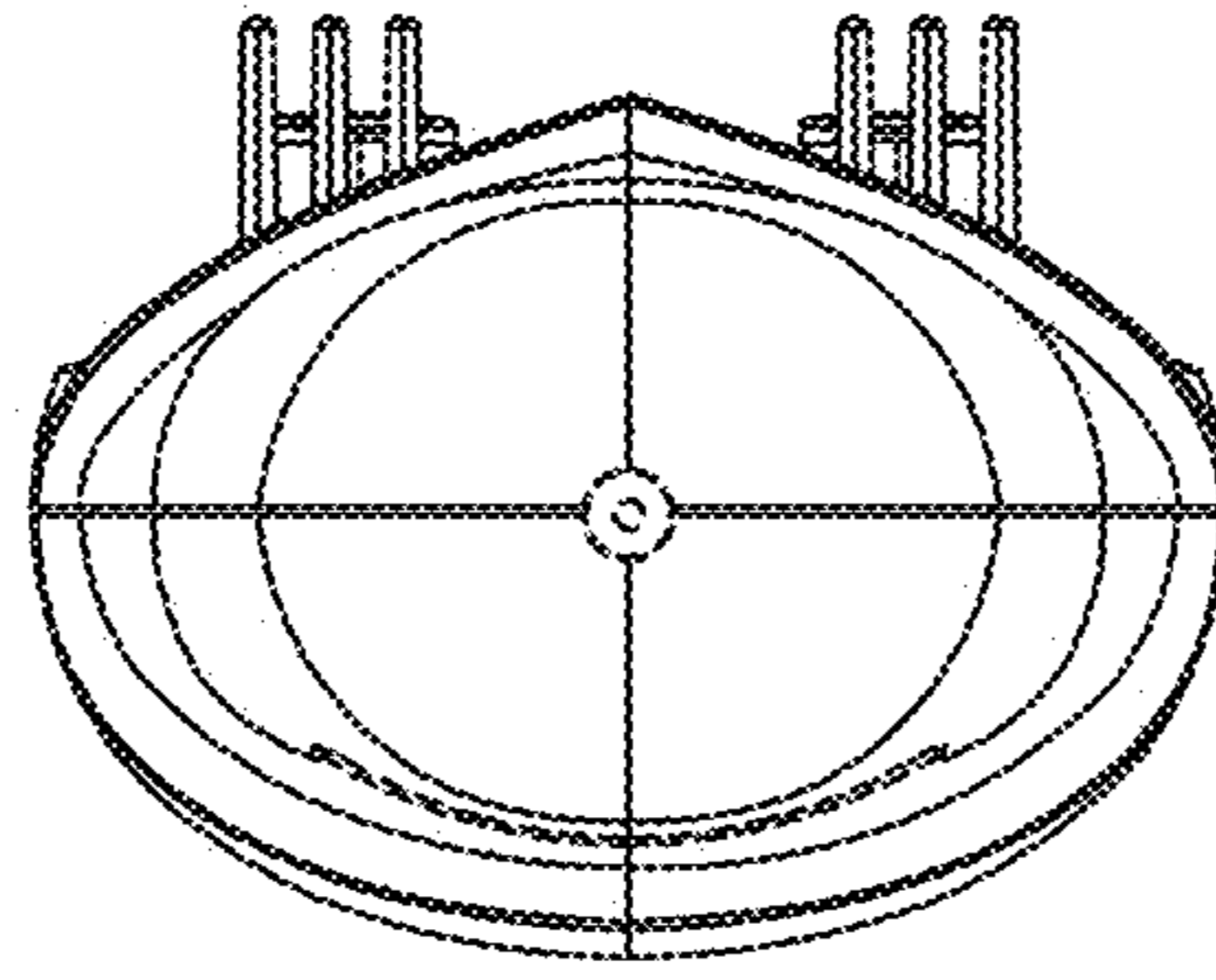


FIG. 5

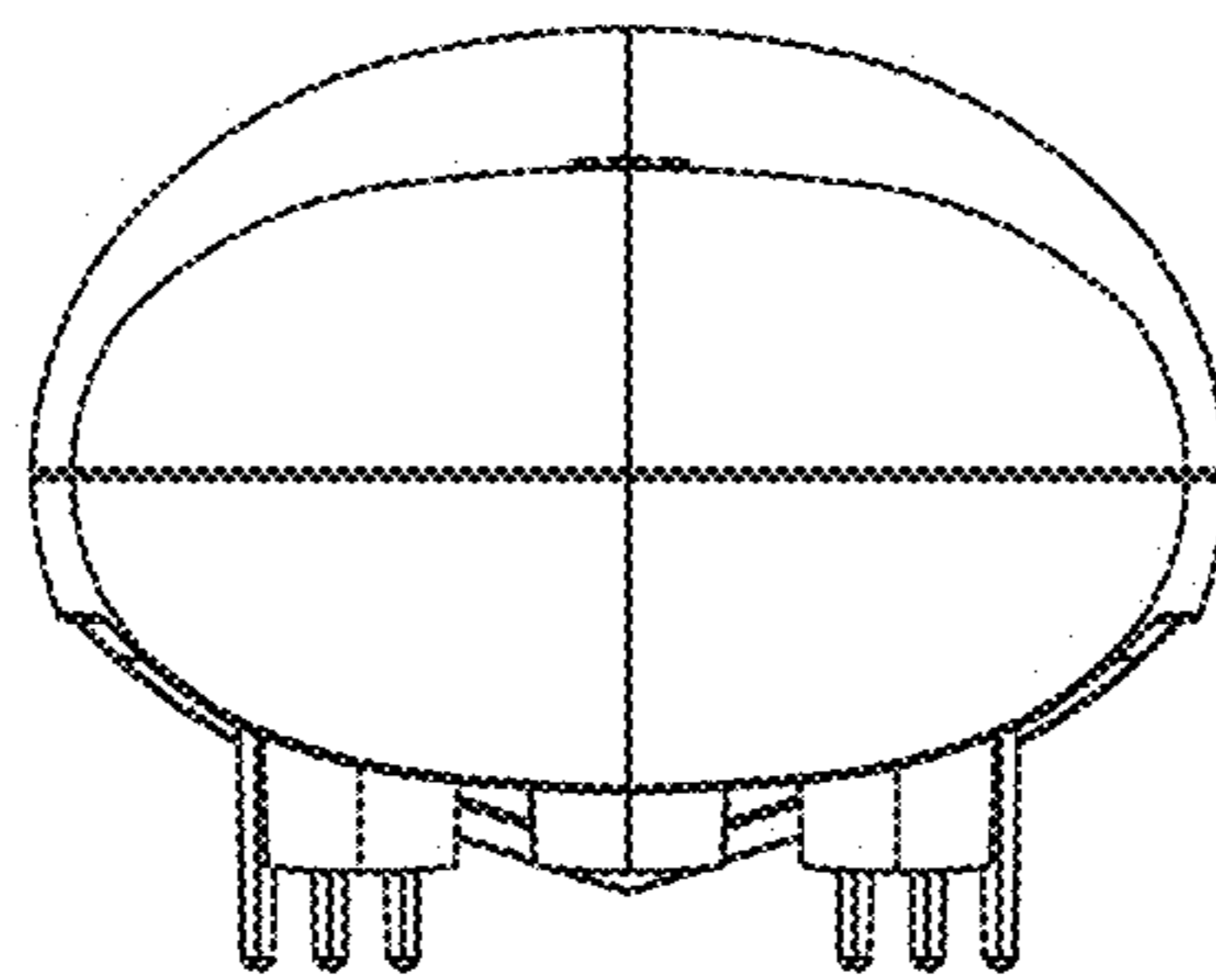


FIG. 6

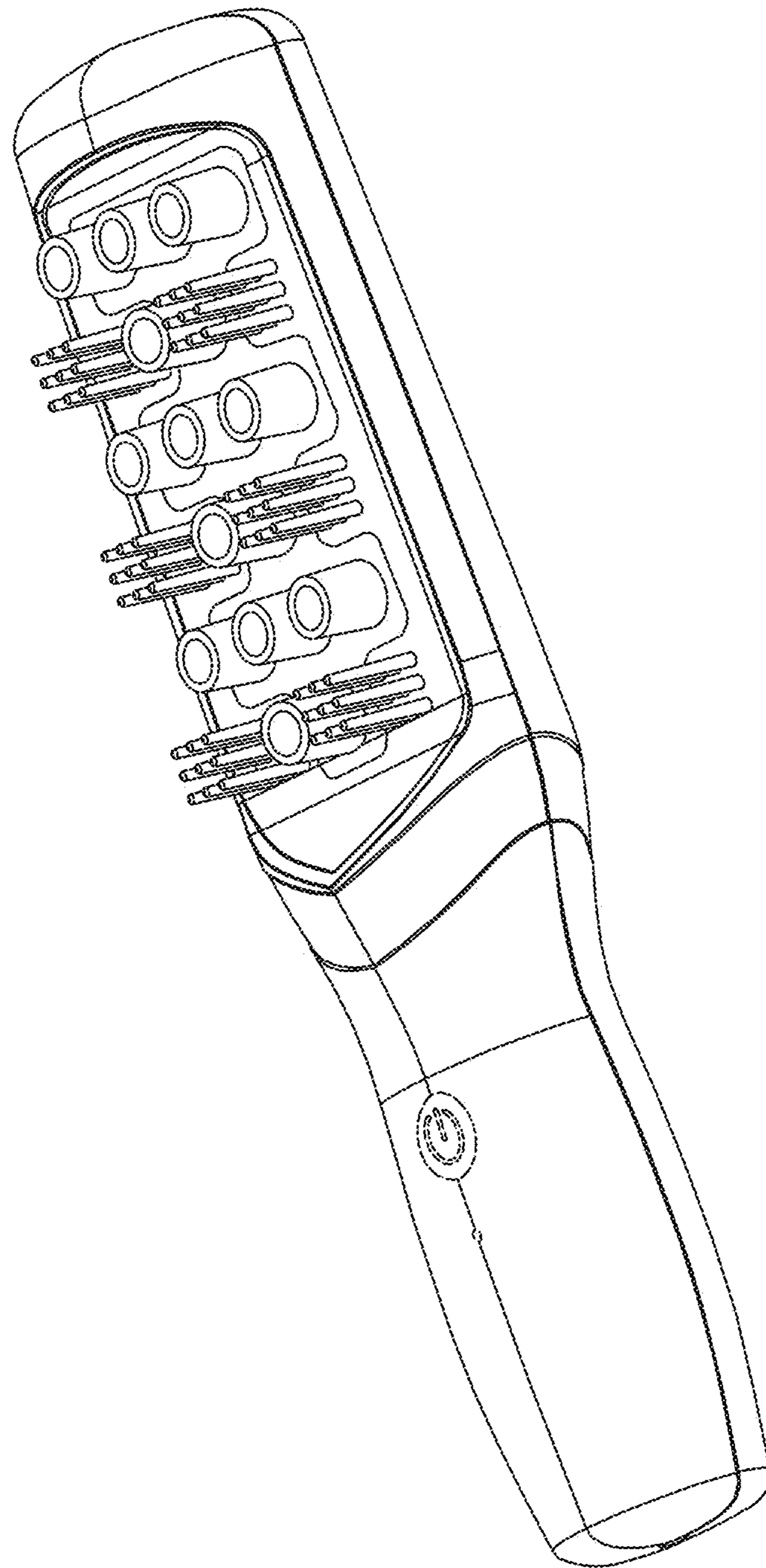


FIG. 7