



US00D882100S

(12) **United States Design Patent**  
**Van**

(10) **Patent No.:** **US D882,100 S**

(45) **Date of Patent:** **\*\* Apr. 21, 2020**

(54) **SIX FOLD ACUPUNCTURE MAT**

(71) Applicant: **Hadden Van**, Shanghai (CN)

(72) Inventor: **Hadden Van**, Shanghai (CN)

(\*\*) Term: **15 Years**

(21) Appl. No.: **29/714,062**

(22) Filed: **Nov. 21, 2019**

(51) **LOC (12) Cl.** ..... **28-03**

(52) **U.S. Cl.**  
USPC ..... **D24/200**

(58) **Field of Classification Search**  
USPC ..... D24/200, 146; D6/582-583, 596;  
606/189, 204  
CPC .... A61N 1/36021; A61N 5/0619; B60N 3/04;  
B60N 3/044; B60N 3/048; A61H 7/001;  
A61H 7/002; A61H 39/04; A61H  
2201/0157; A61H 2201/1284; A61H  
2201/1695

See application file for complete search history.

(56) **References Cited**

**U.S. PATENT DOCUMENTS**

D475,792 S \* 6/2003 Robbins, III ..... D24/212  
D653,893 S 2/2012 Huss et al.

D660,068 S \* 5/2012 Wang ..... D6/582  
D700,456 S \* 3/2014 Wentland ..... D6/582  
D713,970 S \* 9/2014 Olofsson ..... D24/200  
D821,594 S \* 6/2018 Davidson ..... D24/200  
D854,176 S \* 7/2019 Murnaghan ..... D24/200

\* cited by examiner

*Primary Examiner* — Wan Laymon

(74) *Attorney, Agent, or Firm* — Jie Yang; ZANIP

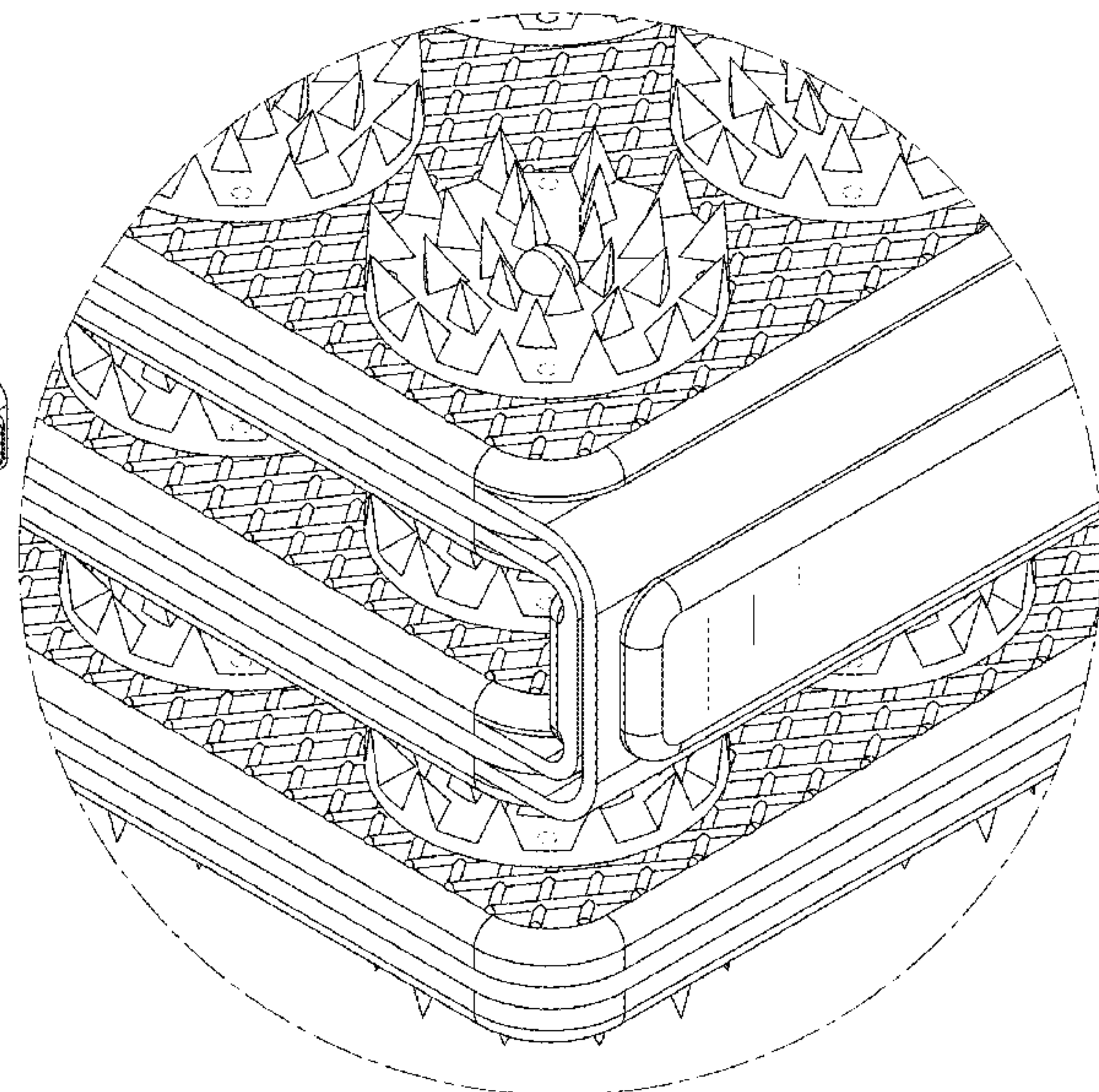
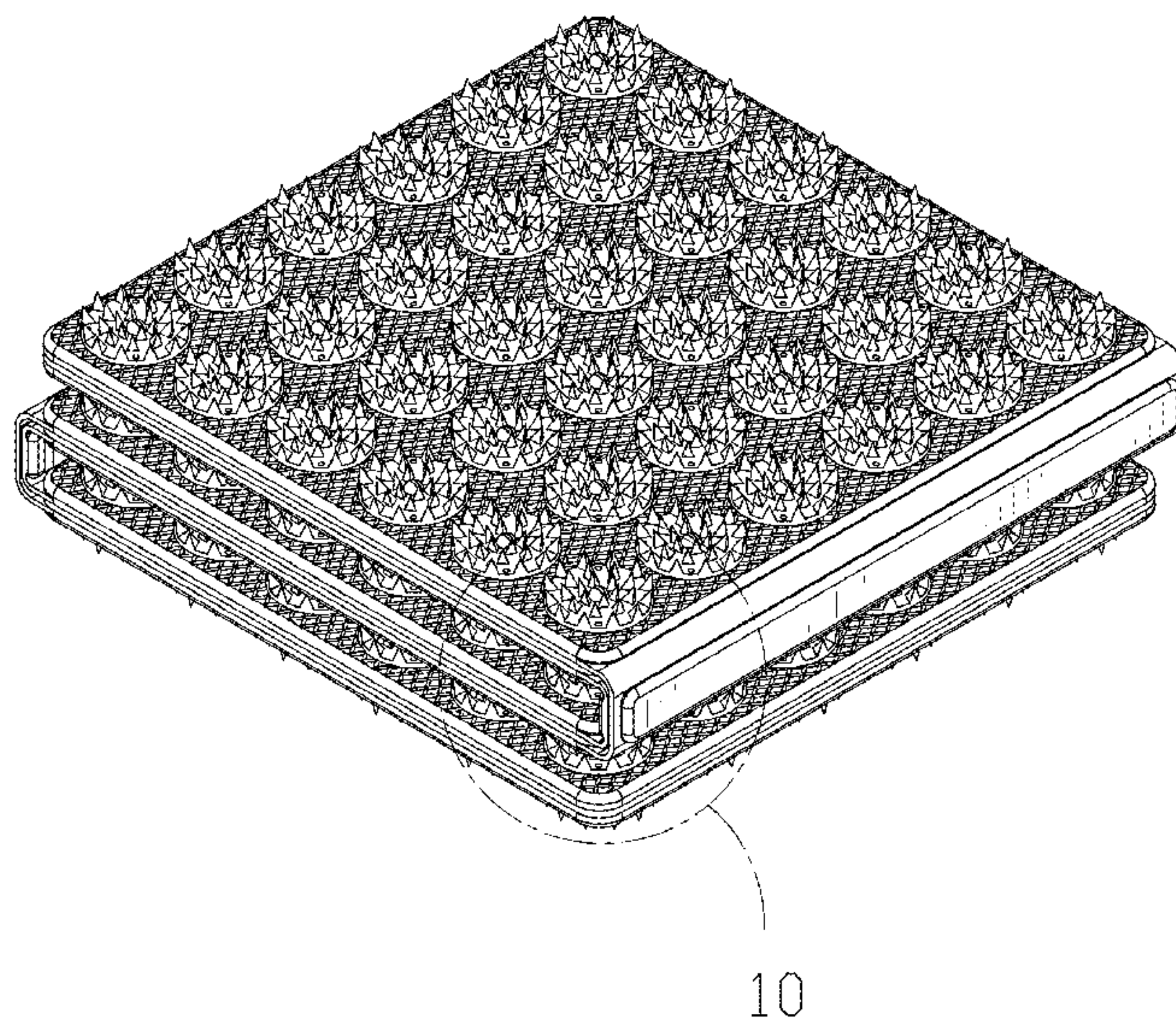
(57) **CLAIM**

The ornamental design for a six fold acupuncture mat, as shown and described.

**DESCRIPTION**

FIG. 1 is a front perspective view of a six fold acupuncture mat, showing my new design;  
FIG. 2 is a rear perspective view thereof;  
FIG. 3 is a front elevational view thereof;  
FIG. 4 is a rear elevational view thereof;  
FIG. 5 is a left side elevational view thereof;  
FIG. 6 is a right side elevational view thereof;  
FIG. 7 is a top plan view thereof;  
FIG. 8 is a bottom plan view thereof;  
FIG. 9 is a perspective view of the six fold, acupuncture mat in an, unfolded position; and,  
FIG. 10 is an enlarged view of a portion indicated in FIG. 1. The dash-dot-dash broken lines in the drawings indicate the boundaries of an enlarged view and form no part of the claimed design.

**1 Claim, 10 Drawing Sheets**





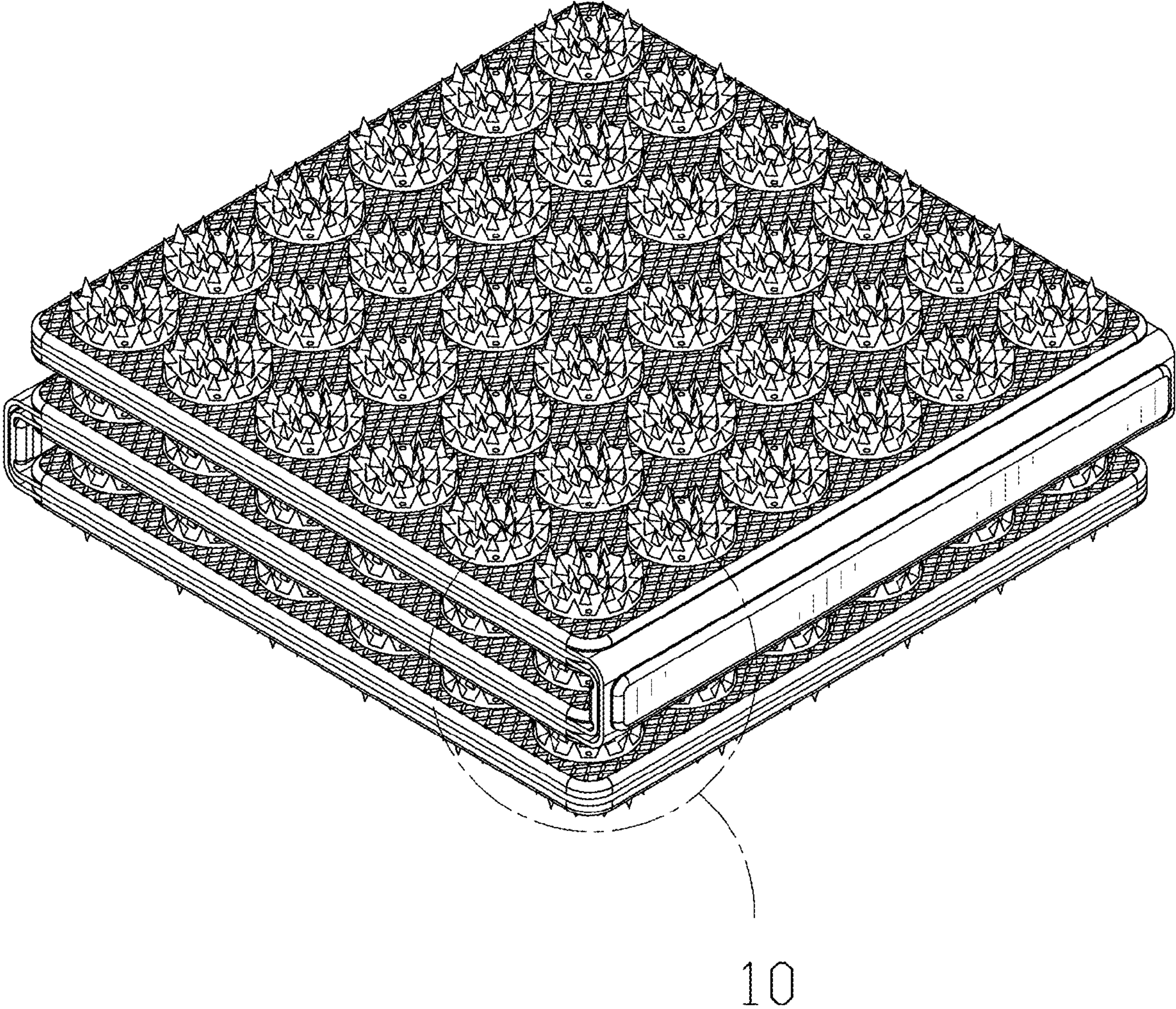


FIG. 1



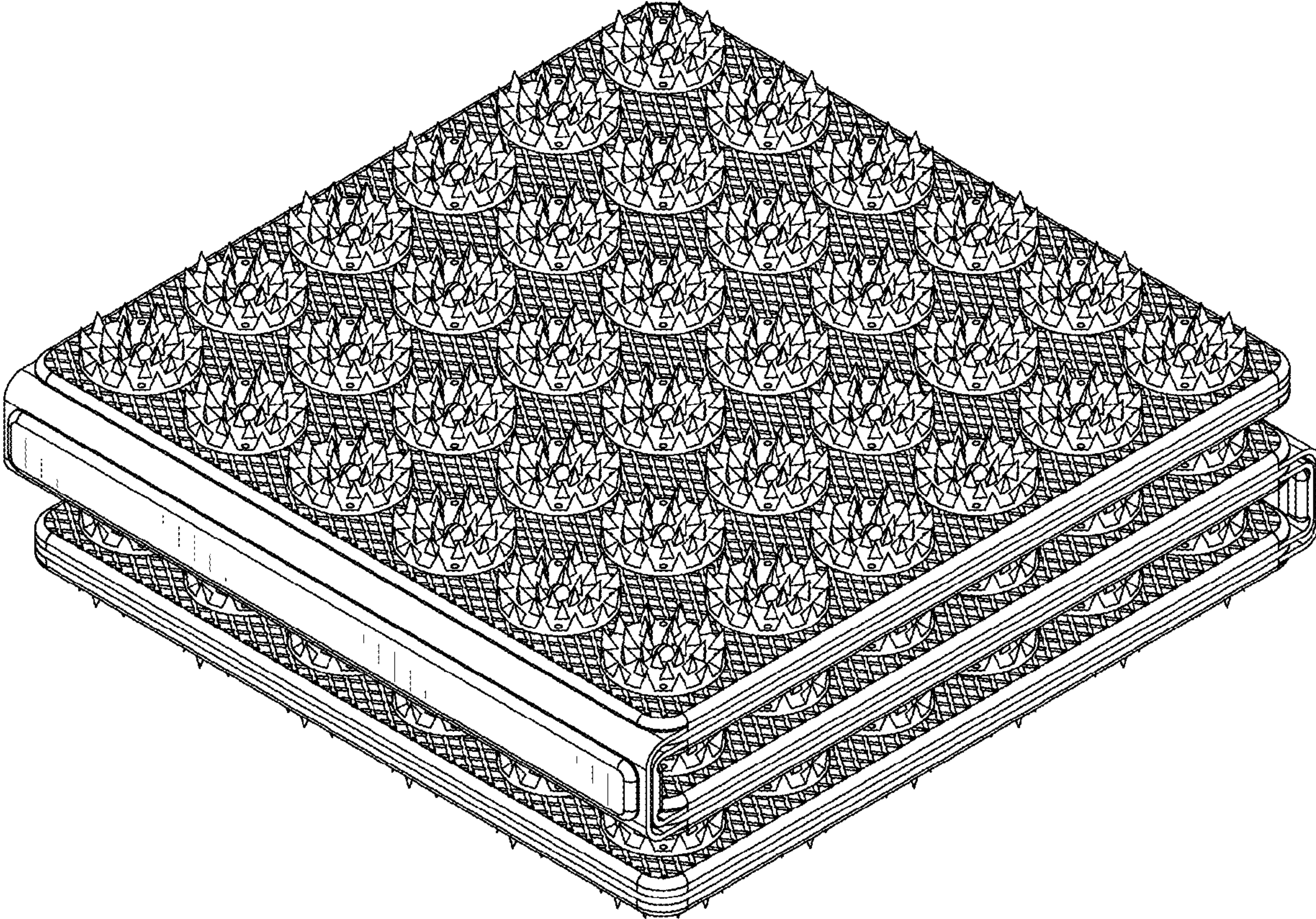


FIG. 2



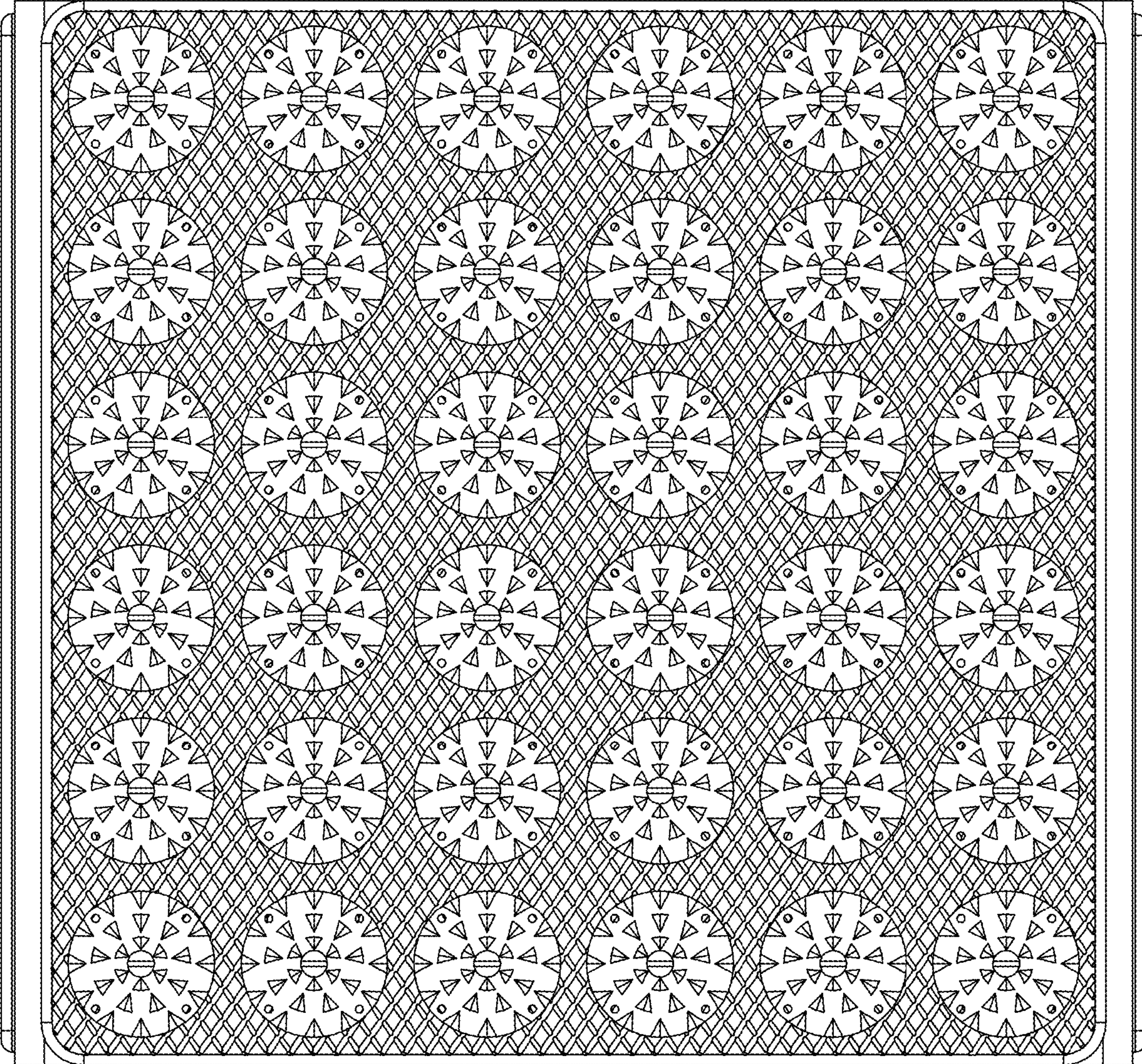


FIG. 3



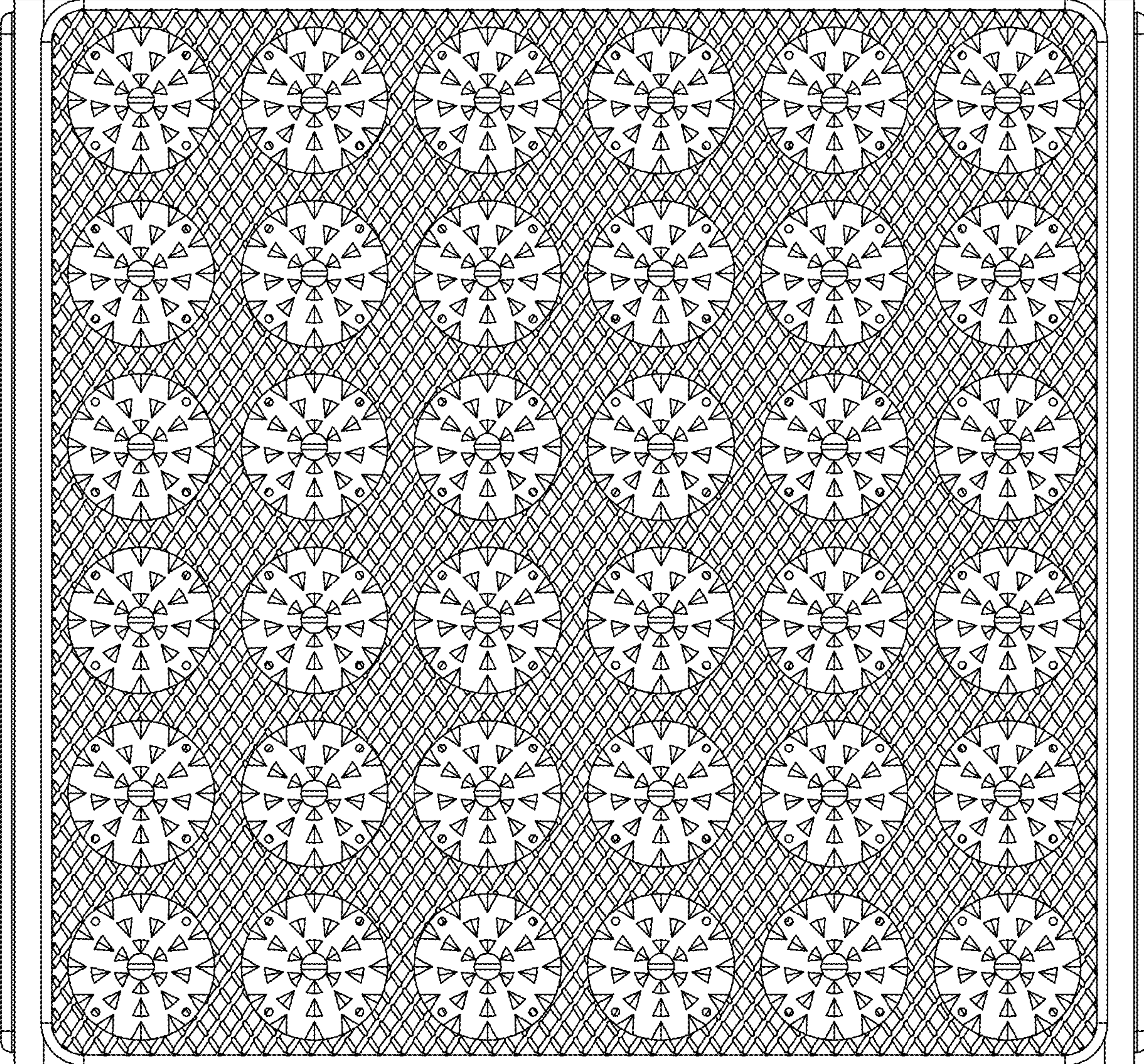


FIG. 4



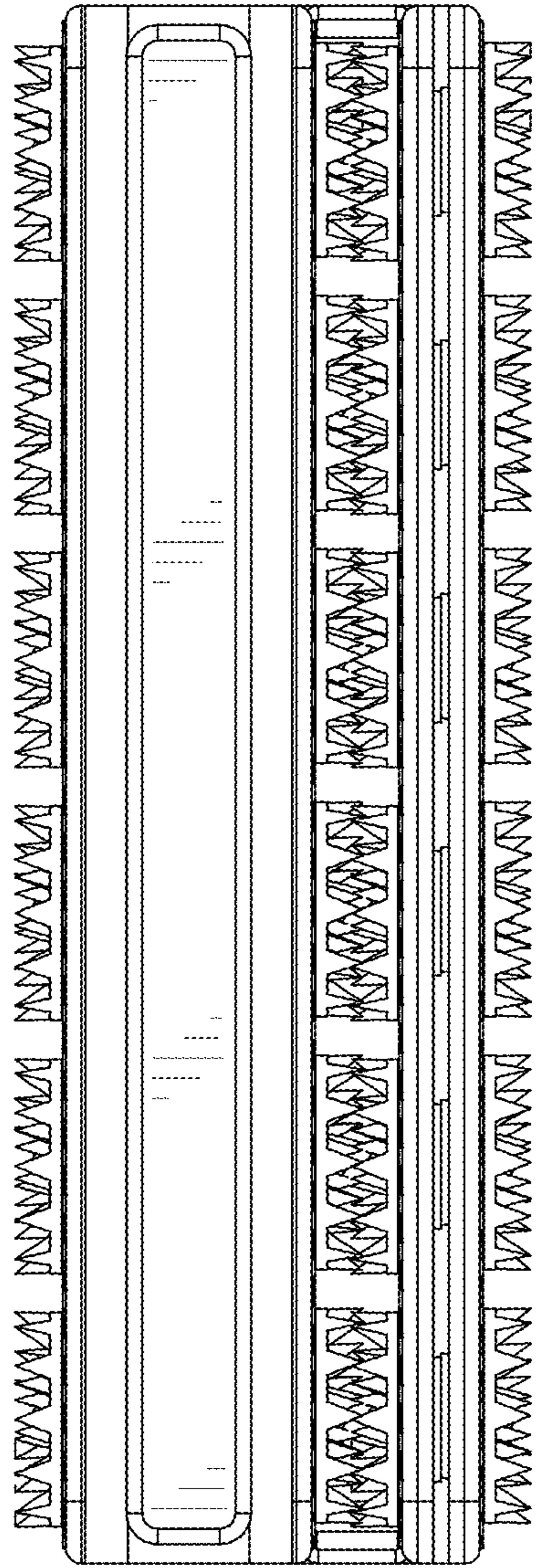


FIG. 5

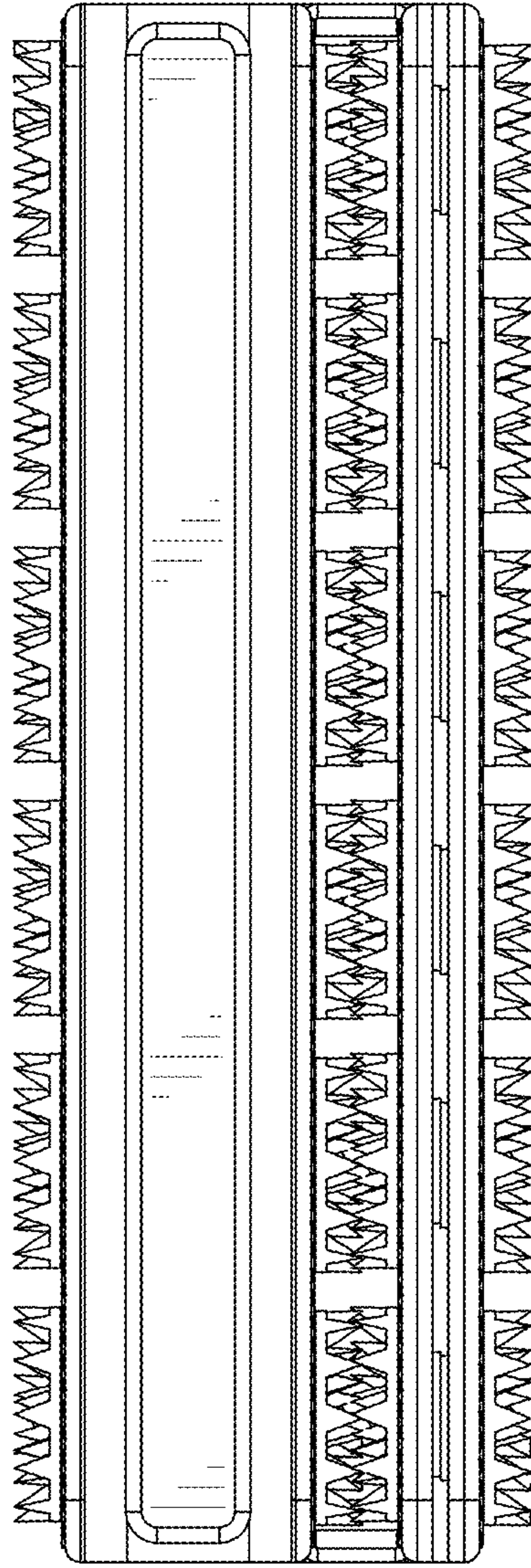


FIG. 6

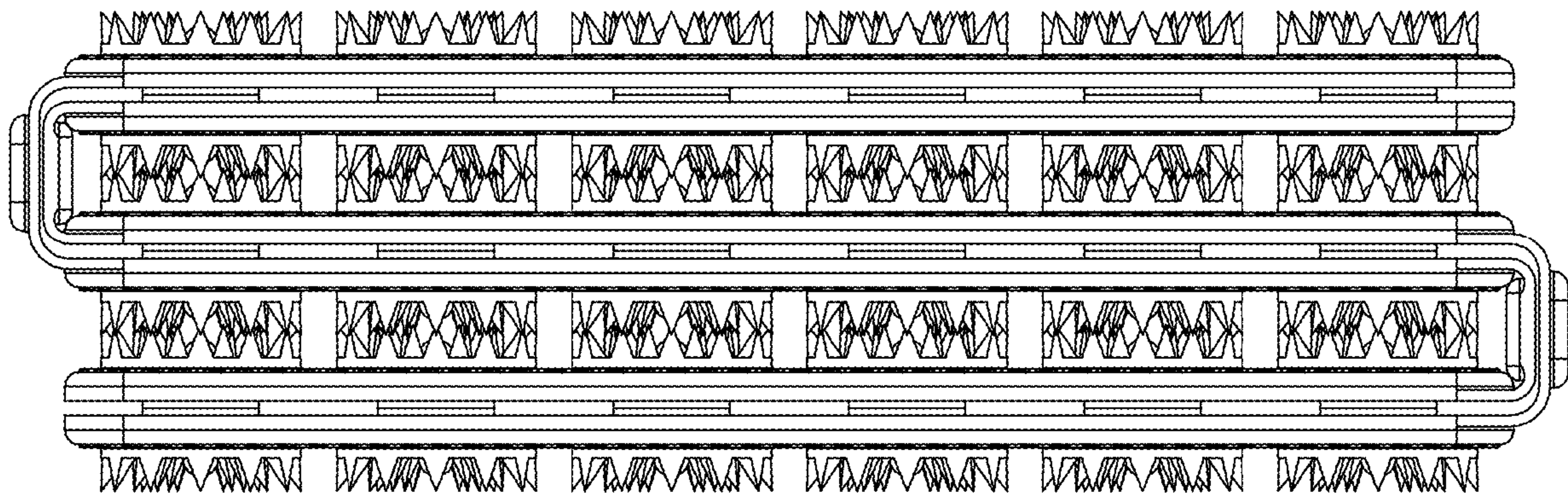


FIG. 7



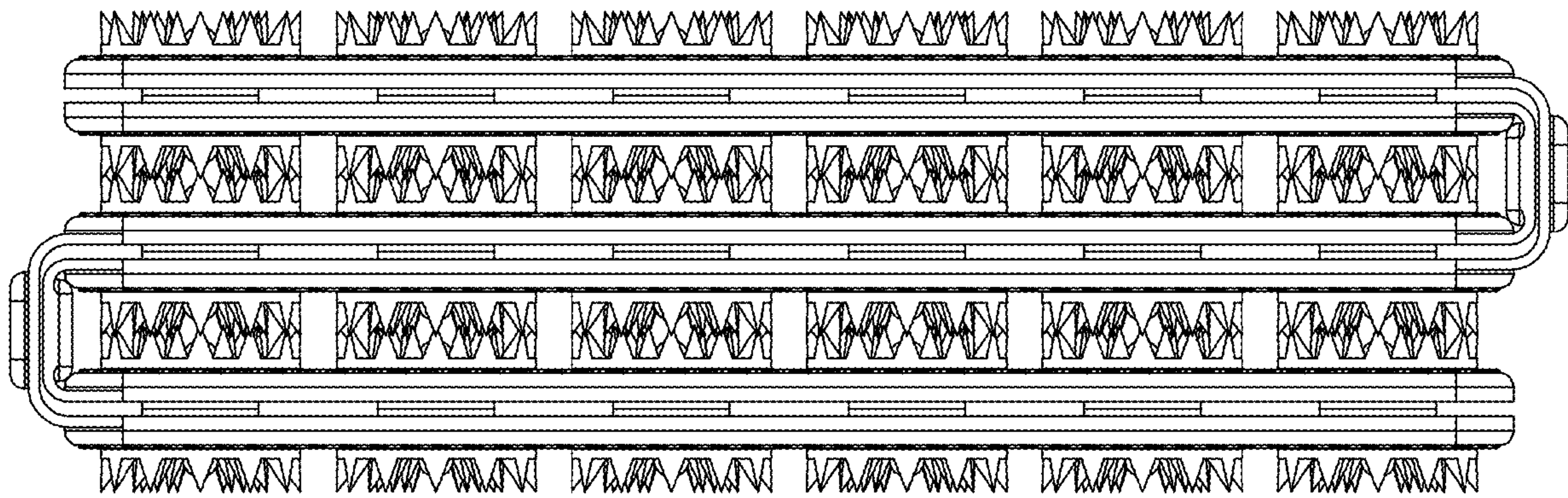


FIG. 8



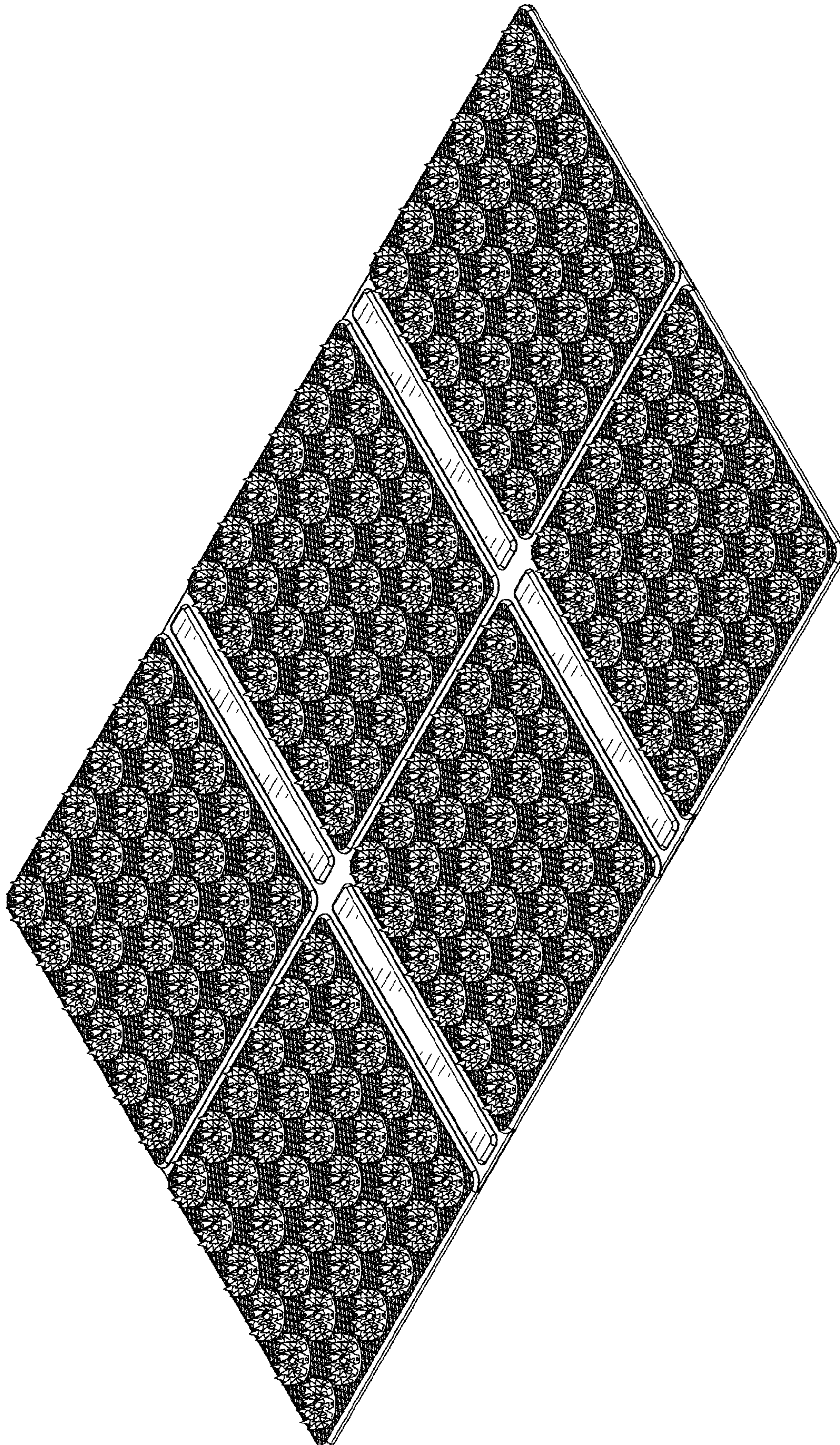


FIG. 9



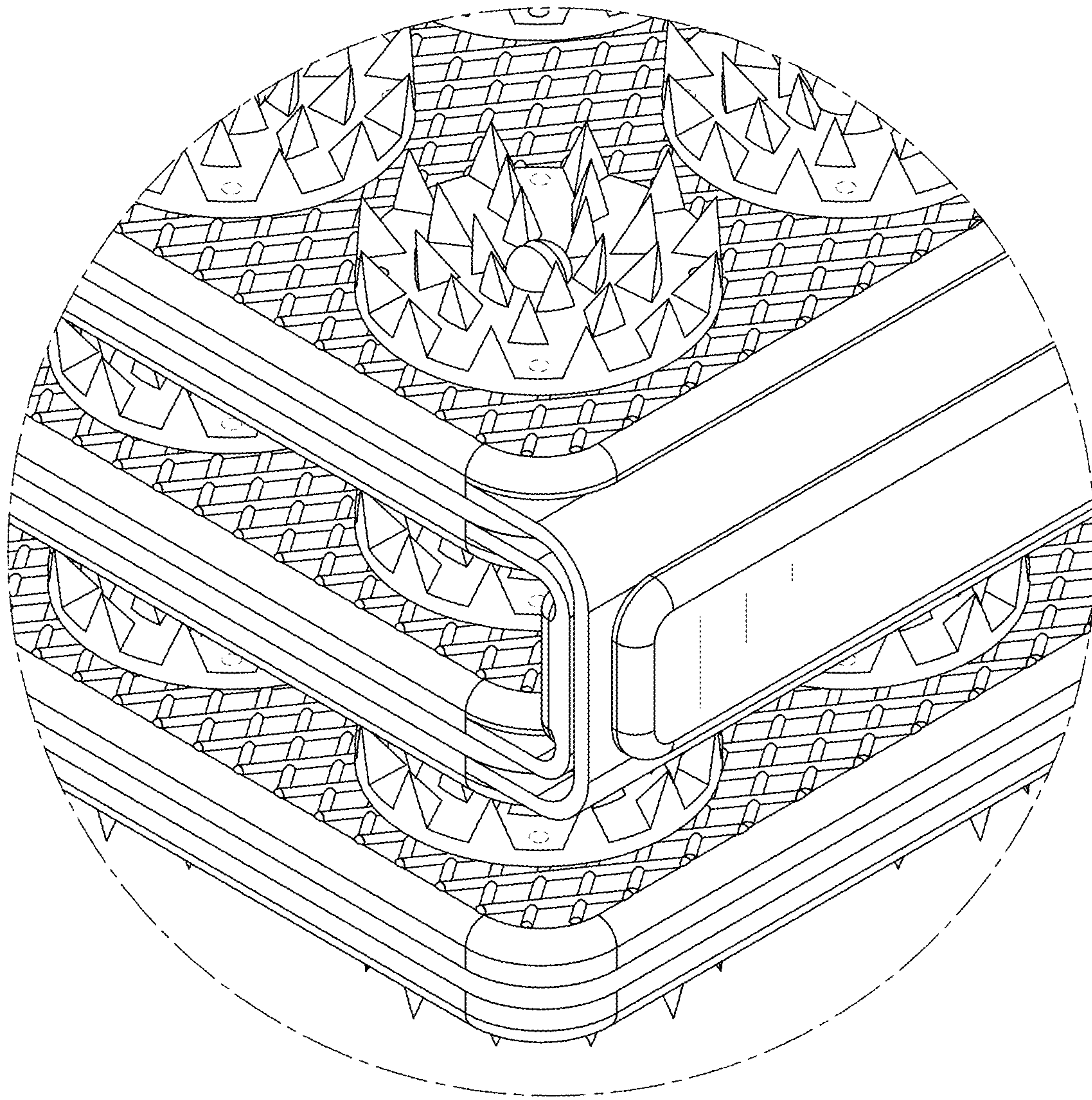


FIG. 10