



US00D882098S

(12) **United States Design Patent**  
**Kase et al.**

(10) **Patent No.:** **US D882,098 S**  
(45) **Date of Patent:** **\*\* Apr. 21, 2020**

(54) **SET OF ADHESIVE TAPES**

- (71) Applicant: **Kinesio IP LLC**, Albuquerque, NM (US)
- (72) Inventors: **Kenzo Kase**, Albuquerque, NM (US);  
**Yukari Takeda**, Tokyo (JP)
- (73) Assignee: **KINESIO IP LLC**, Albuquerque, NM (US)
- (\*\*) Term: **15 Years**
- (21) Appl. No.: **29/662,552**
- (22) Filed: **Sep. 6, 2018**
- (51) **LOC (12) Cl.** ..... **24-04**
- (52) **U.S. Cl.**  
USPC ..... **D24/189**
- (58) **Field of Classification Search**  
USPC ..... D24/127-130, 187-190; D20/42  
(Continued)

(56) **References Cited**

U.S. PATENT DOCUMENTS

- 4,917,112 A \* 4/1990 Kalt ..... A61F 13/023  
128/888
- D382,343 S \* 8/1997 Wandell ..... D24/189  
(Continued)

*Primary Examiner* — Jennifer L Watkins  
(74) *Attorney, Agent, or Firm* — Finnegan, Henderson, Farabow, Garrett & Dunner LLP

(57) **CLAIM**

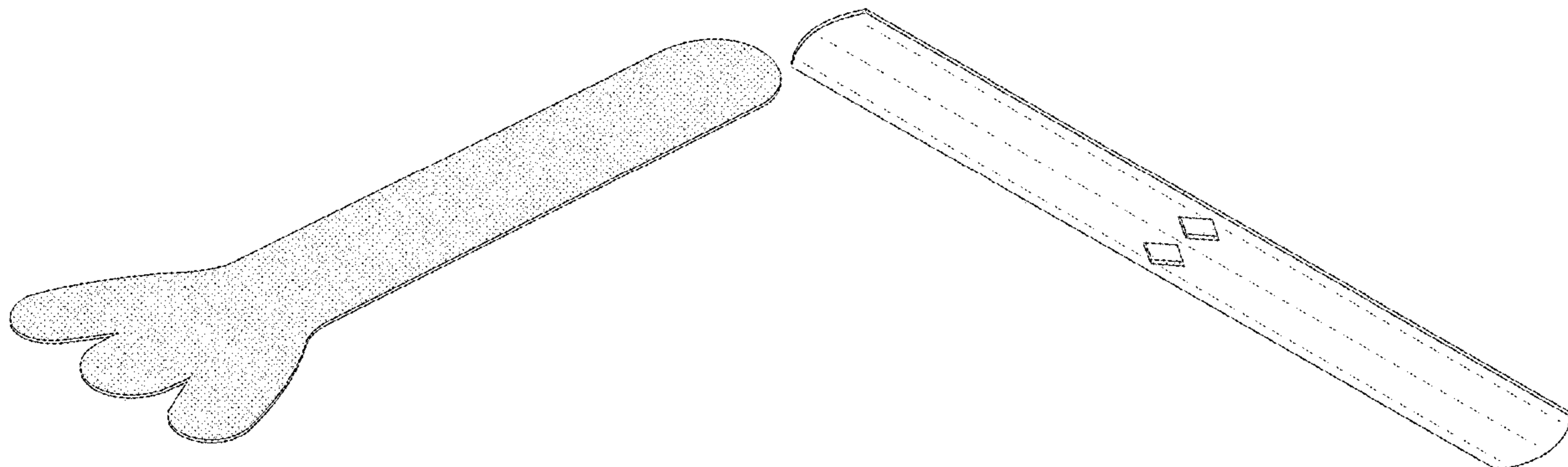
The ornamental design for a set of adhesive tapes, as shown and described.

**DESCRIPTION**

FIG. 1 is a bottom, rear, right perspective view of a first adhesive tape in a set of adhesive tapes, showing our new design;

FIG. 2 is a top, front, left perspective view thereof;  
 FIG. 3 is a bottom plan view thereof;  
 FIG. 4 is a top plan view thereof;  
 FIG. 5 is a rear elevation view thereof;  
 FIG. 6 is a front elevation view thereof;  
 FIG. 7 is a right side elevation view thereof;  
 FIG. 8 is a left side elevation view thereof;  
 FIG. 9 is a top, perspective view of the first adhesive tape in the set of adhesive tapes in an alternate configuration, in use as applied to a human hand;  
 FIG. 10 is a perspective of view thereof as applied to the underside of the human hand;  
 FIG. 11 is a bottom, rear, right perspective view of a second adhesive tape in the set of adhesive tapes, showing our new design;  
 FIG. 12 is a top, front, left perspective view thereof;  
 FIG. 13 is a bottom plan view thereof;  
 FIG. 14 is a top plan view thereof;  
 FIG. 15 is a rear elevation view thereof;  
 FIG. 16 is a front elevation view thereof;  
 FIG. 17 is a right side elevation view thereof;  
 FIG. 18 is a left side elevation view thereof;  
 FIG. 19 is a top, perspective view of the second adhesive tape in the set of adhesive tapes in an alternate configuration, in use as applied to a human hand;  
 FIG. 20 is a perspective of view thereof as applied to the underside of the human hand;  
 FIG. 21 is a bottom, rear, right perspective view of a third adhesive tape in the set of adhesive tapes, showing our new design;  
 FIG. 22 is a top, front, left perspective view thereof;  
 FIG. 23 is a bottom plan view thereof;  
 FIG. 24 is a top plan view thereof;  
 FIG. 25 is a rear elevation view thereof;  
 FIG. 26 is a front elevation view thereof;  
 FIG. 27 is a right side elevation view thereof;  
 FIG. 28 is a left side elevation view thereof;  
 FIG. 29 is a top, perspective view of the third adhesive tape in the set of adhesive tapes in an alternate configuration, in use as applied to a human hand;  
 FIG. 30 is a perspective of view thereof as applied to the underside of the human hand;  
 FIG. 31 is a top, perspective view of the first, second, and third adhesive tapes in the set of adhesive tapes in another

(Continued)



alternate configuration, in use as applied to a human hand, with the first adhesive tape shown underneath the second adhesive tape and the second adhesive tape shown underneath the third adhesive tape; and, FIG. 32 is a perspective of view thereof as applied to the underside of the human hand.

The portions in broken lines of even length depict a reference human hand and form no part of the claimed design. Contrast in materials is shown by line shading in some areas and stipple shading in other areas.

**1 Claim, 32 Drawing Sheets**

(58) **Field of Classification Search**

CPC ..... A61F 13/023; A61F 13/0259; A61F 2013/00412; A61F 2013/00846; A61F 13/0203; A61B 5/0408; A61N 1/0456; Y10T 428/14; Y10T 428/15; Y10T

428/149; Y10T 428/1495; Y10T 428/1471; Y10T 428/24793; Y10T 428/24802; Y10T 428/1476; Y10T 428/24777; Y10T 428/2848

See application file for complete search history.

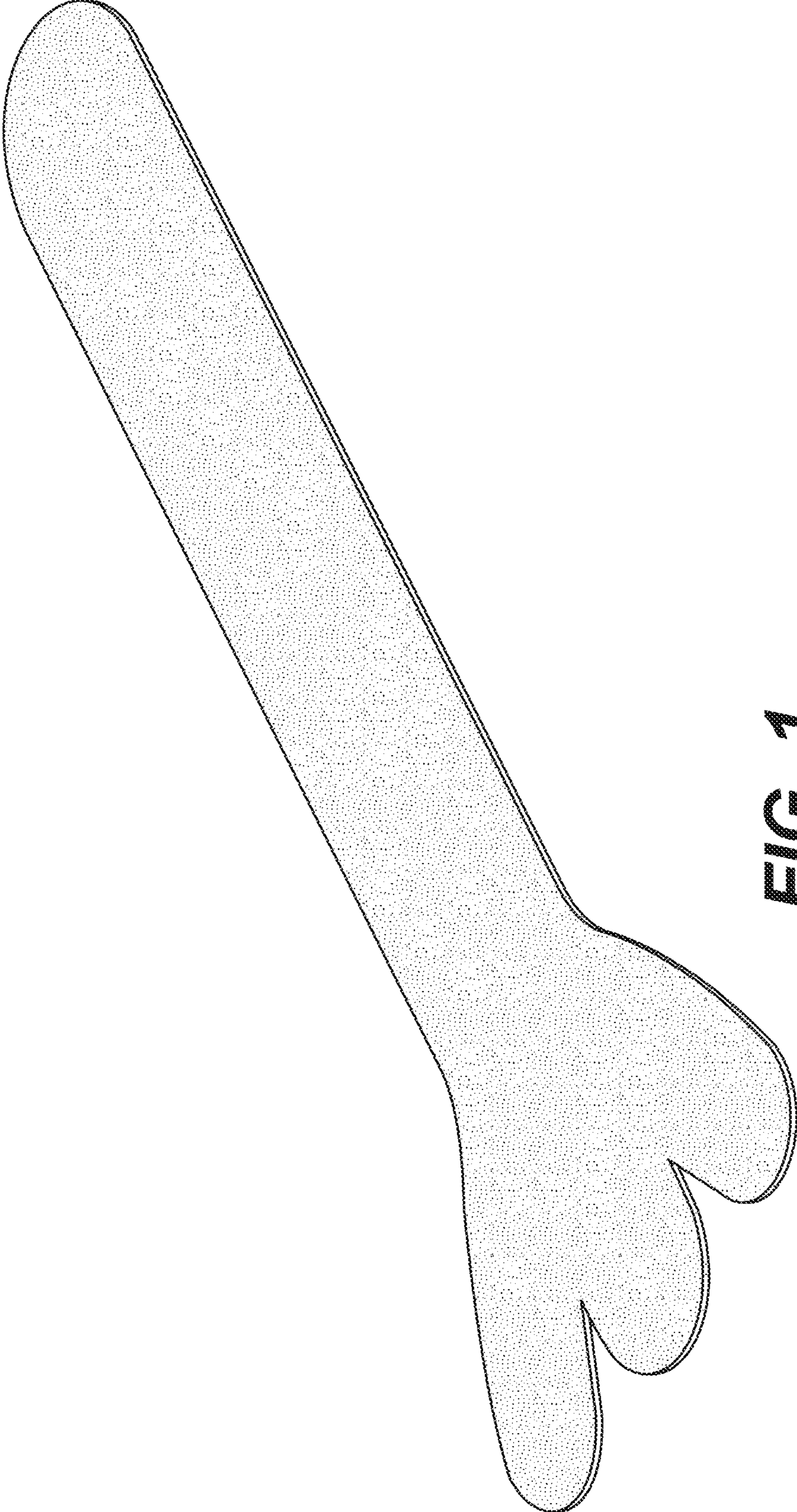
(56)

**References Cited**

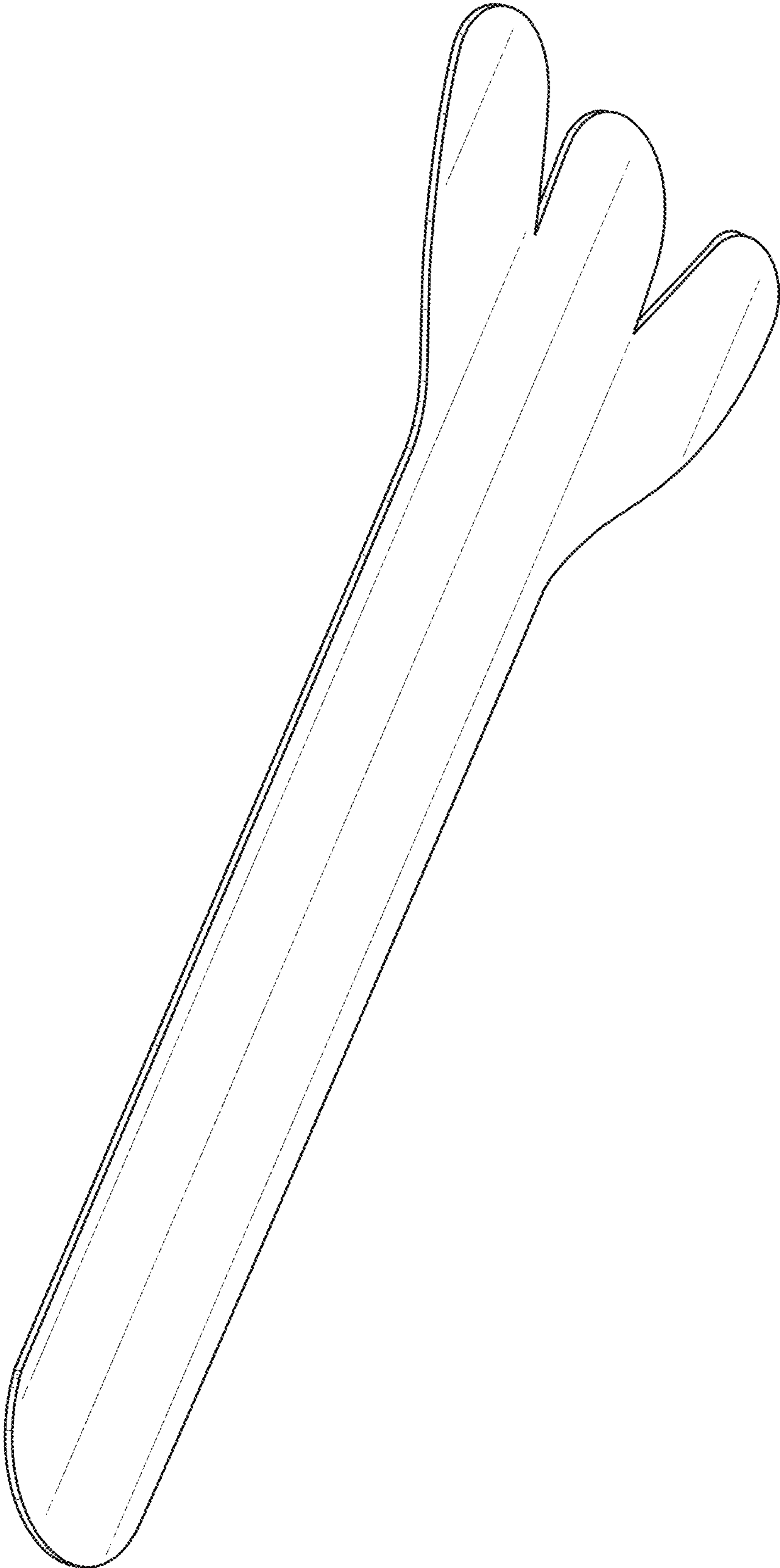
U.S. PATENT DOCUMENTS

D608,453	S	*	1/2010	Arbesman	.....	D24/189
D612,505	S	*	3/2010	Arbesman	.....	D24/190
D612,506	S	*	3/2010	Arbesman	.....	D24/190
D613,414	S	*	4/2010	Arbesman	.....	D24/190
D625,422	S	*	10/2010	Arbesman	.....	D24/189
D625,829	S	*	10/2010	Arbesman	.....	D24/190
D639,962	S	*	6/2011	Kase	.....	D24/189
D639,963	S	*	6/2011	Kase	.....	D24/189
D705,429	S	*	5/2014	Cheney	.....	D24/169
D743,566	S	*	11/2015	Arbesman	.....	D24/189

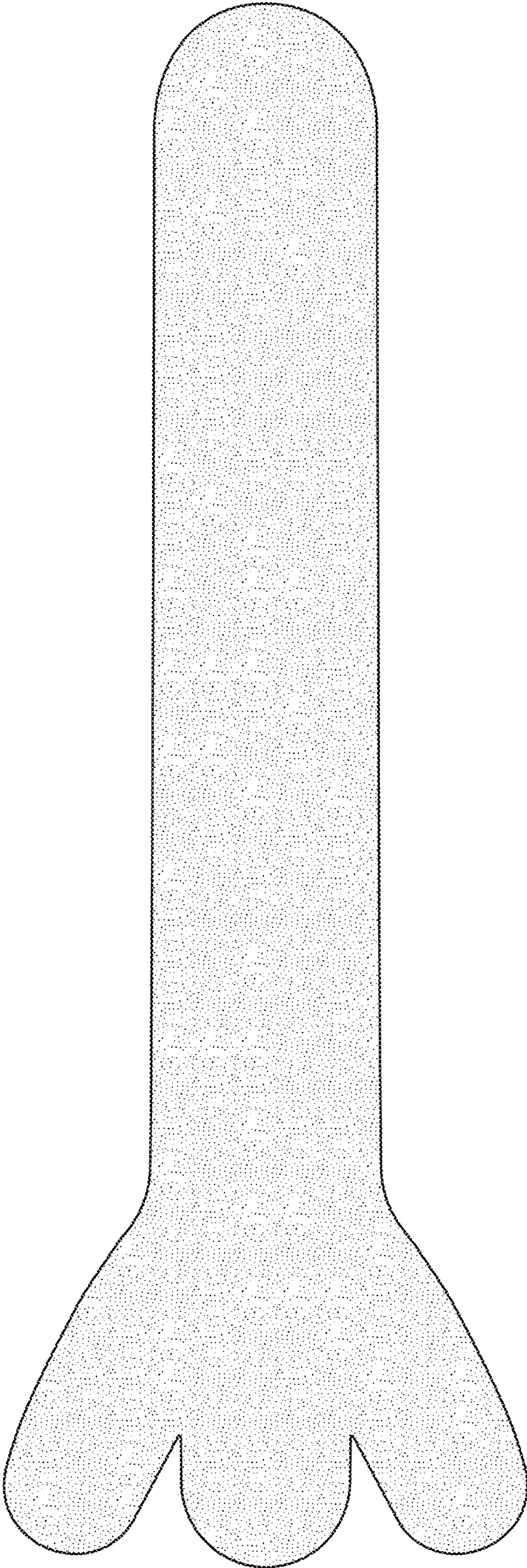
\* cited by examiner



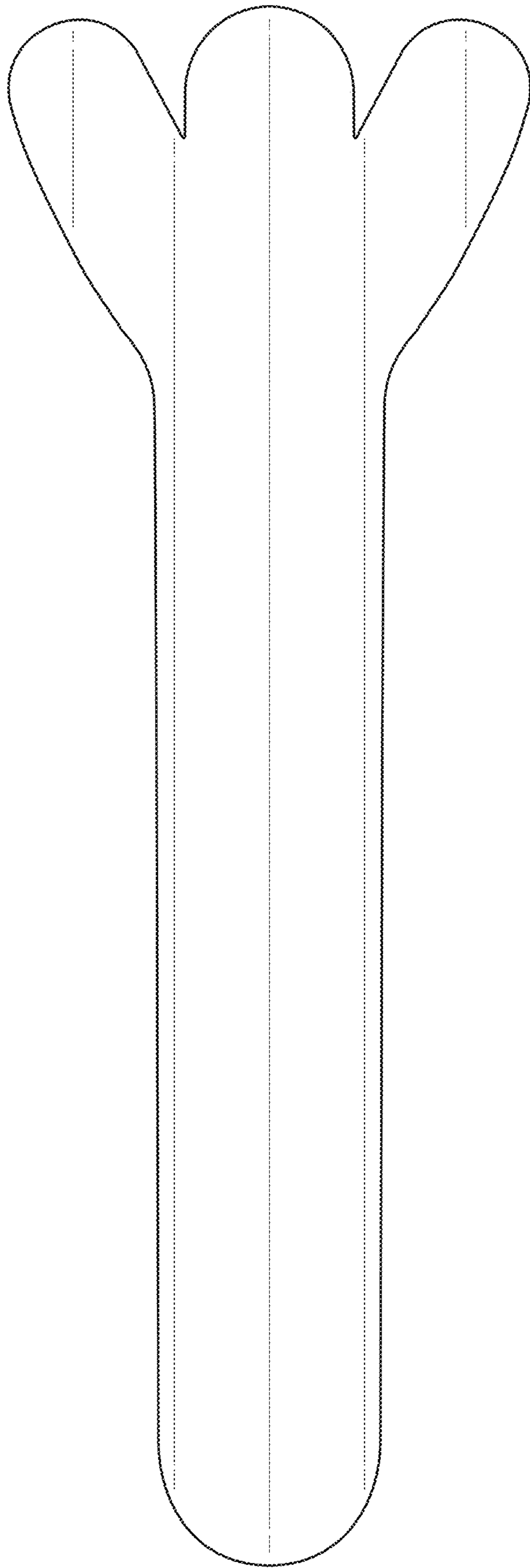
**FIG. 1**



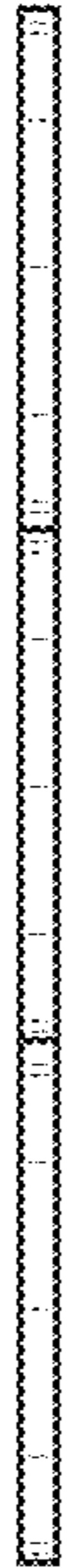
**FIG. 2**



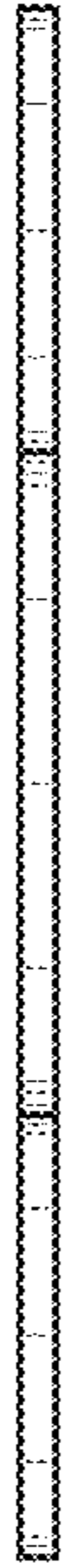
**FIG. 3**



**FIG. 4**



**FIG. 5**



**FIG. 6**

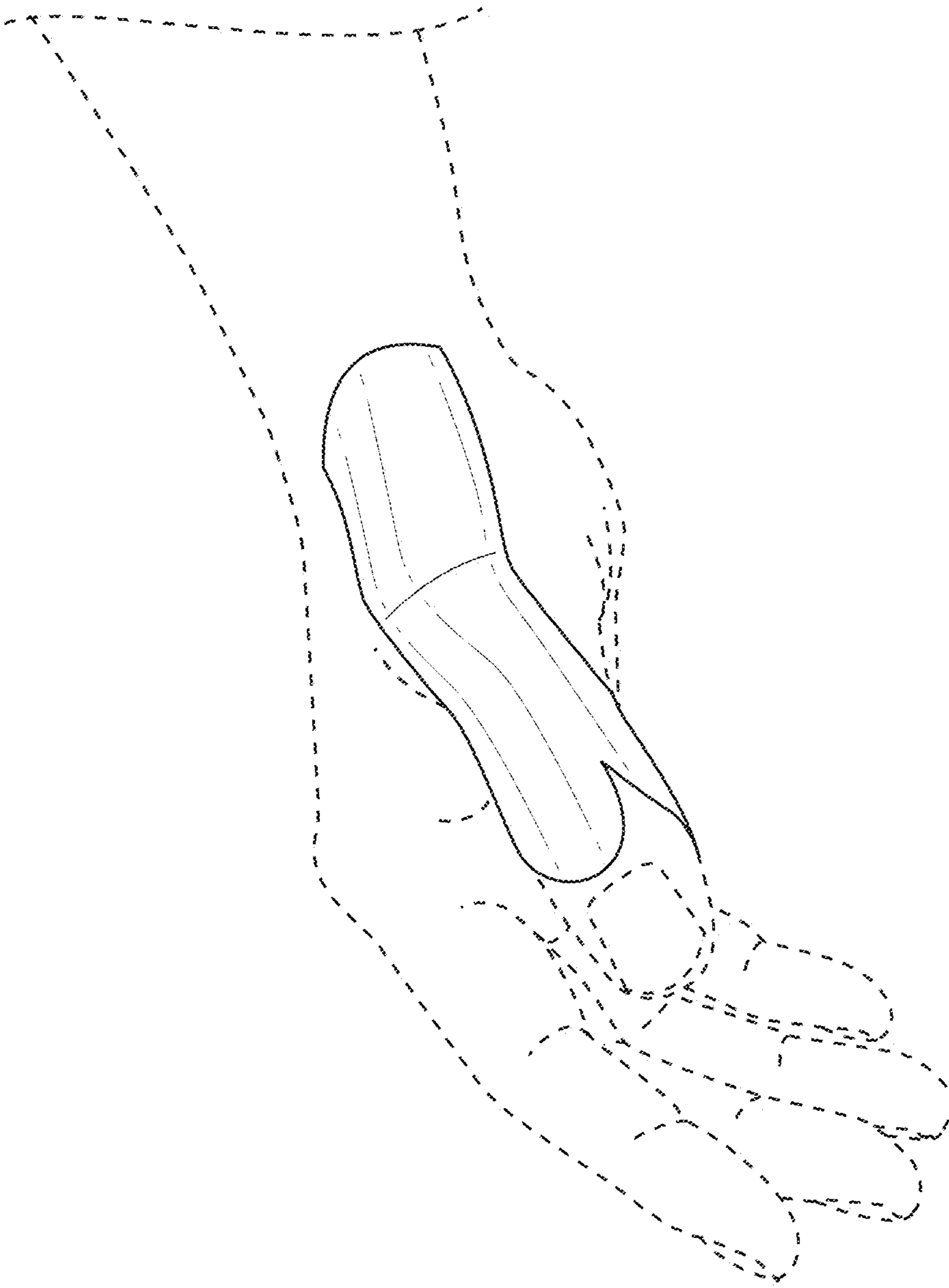




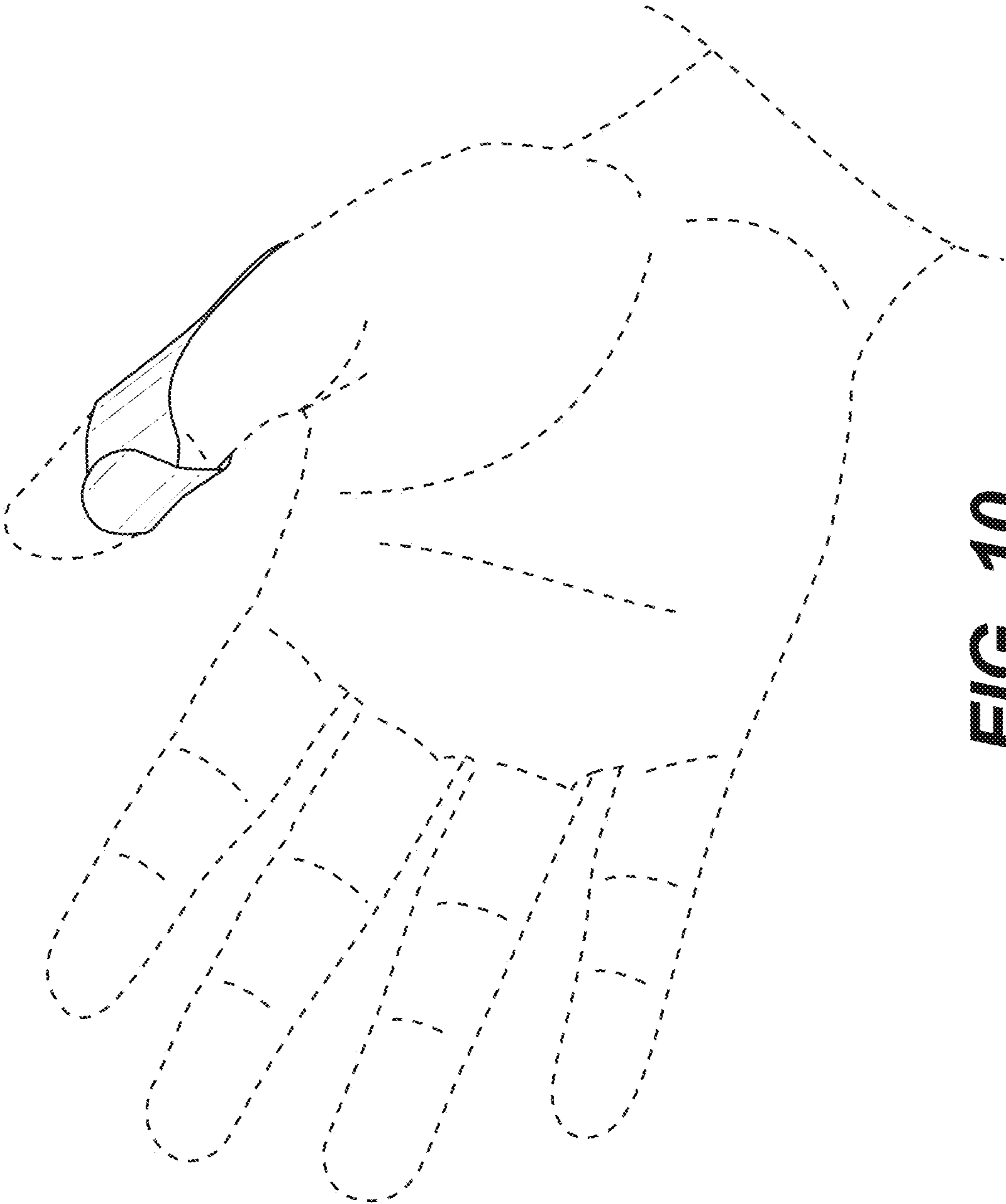
**FIG. 7**



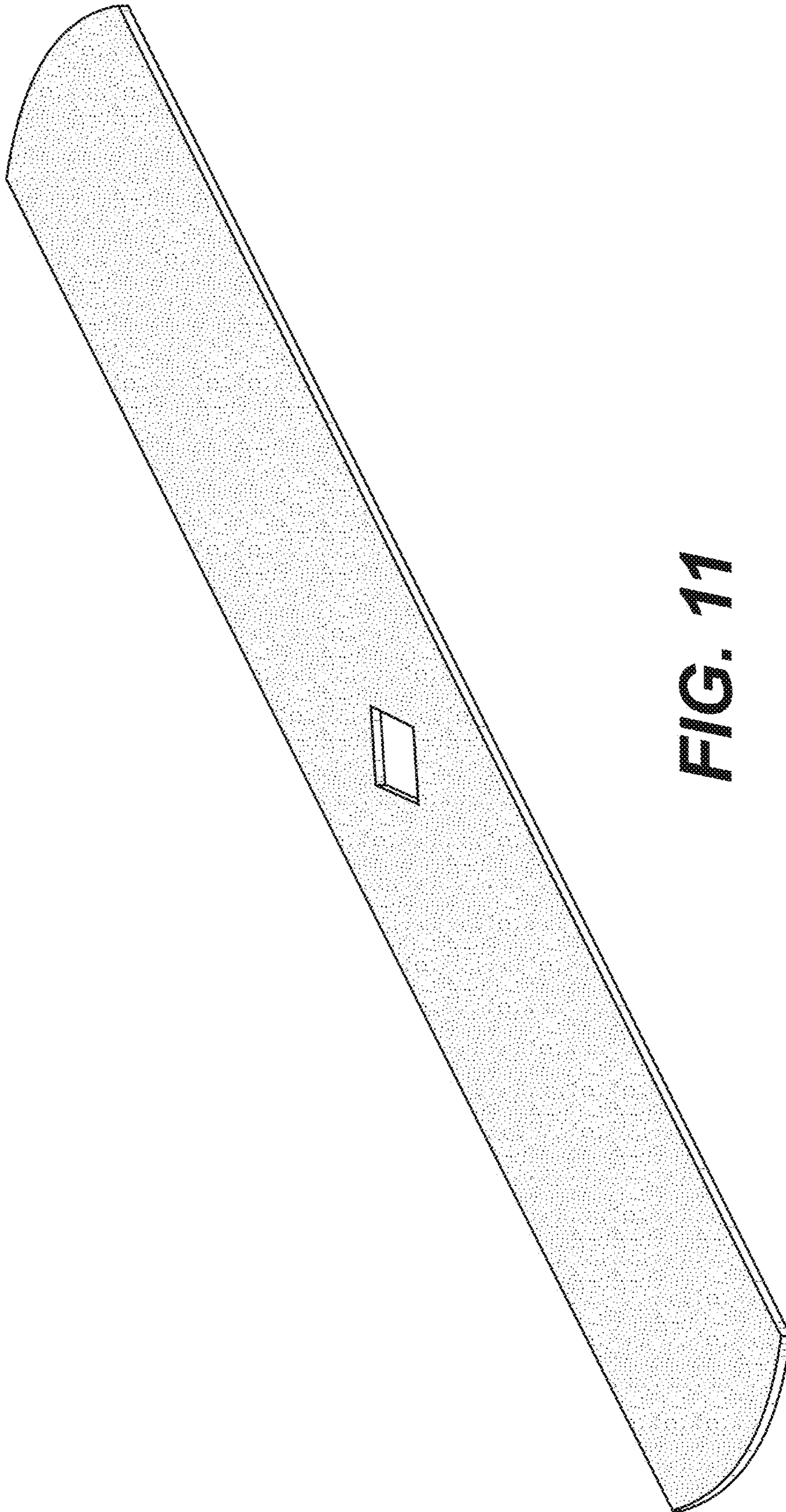
**FIG. 8**



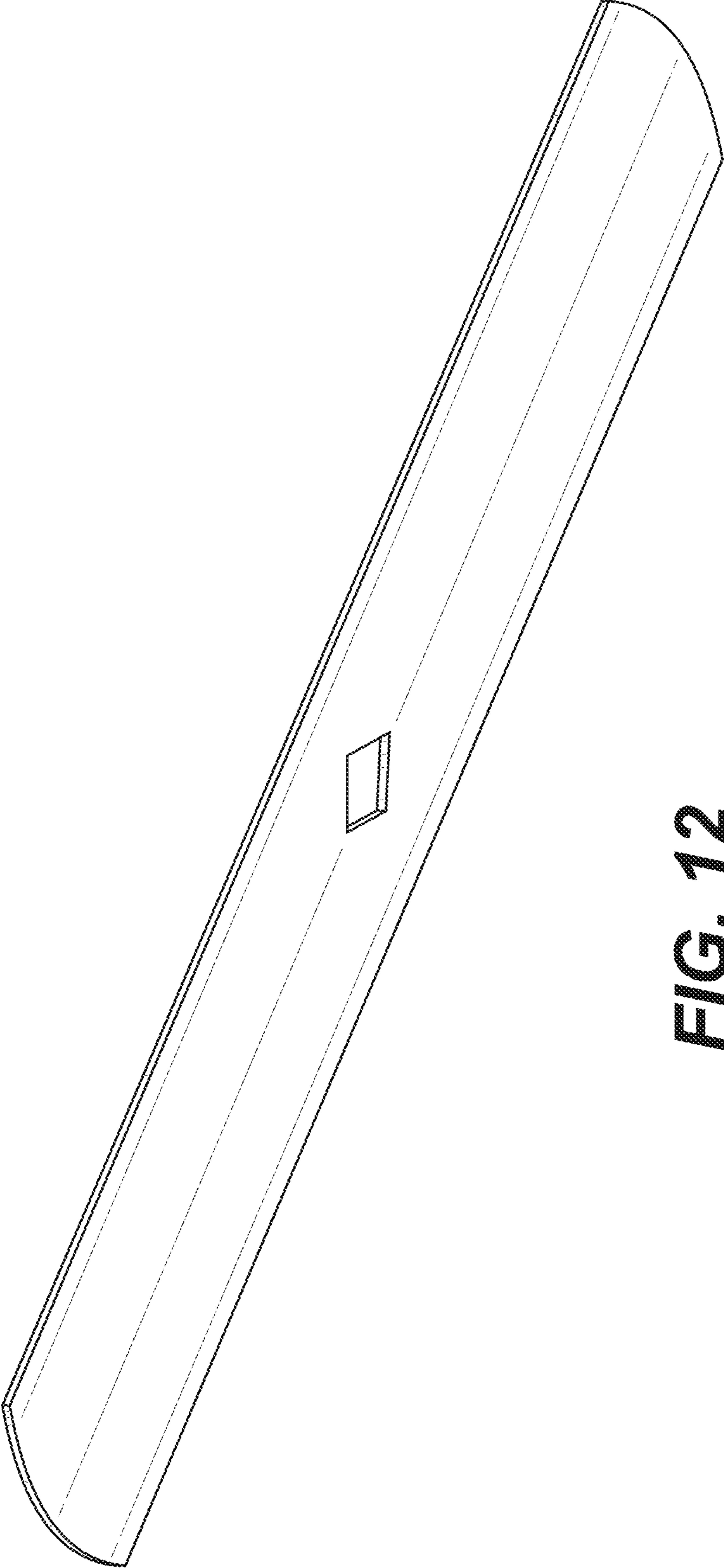
**FIG. 9**



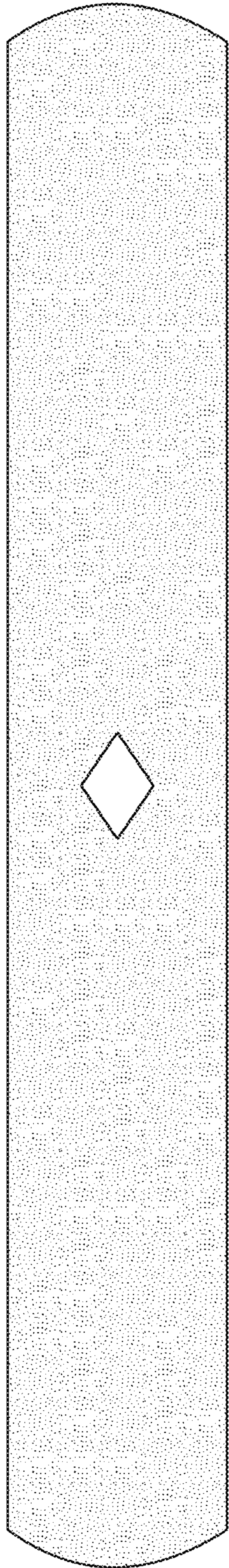
**FIG. 10**



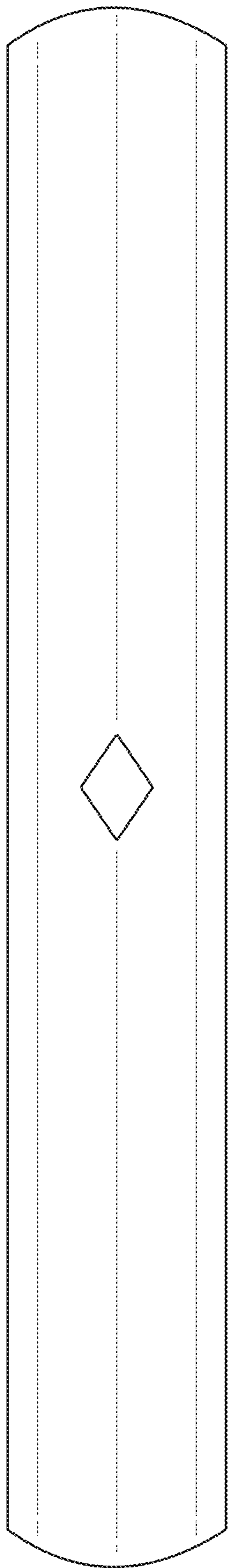
**FIG. 11**



**FIG. 12**

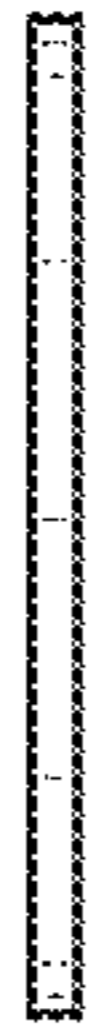


**FIG. 13**

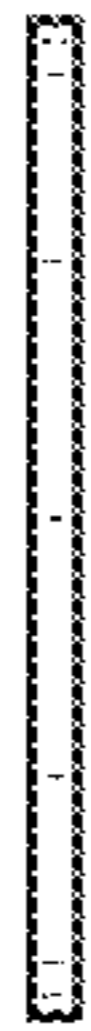


**FIG. 14**





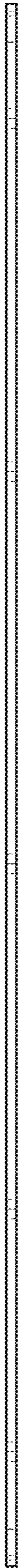
**FIG. 15**



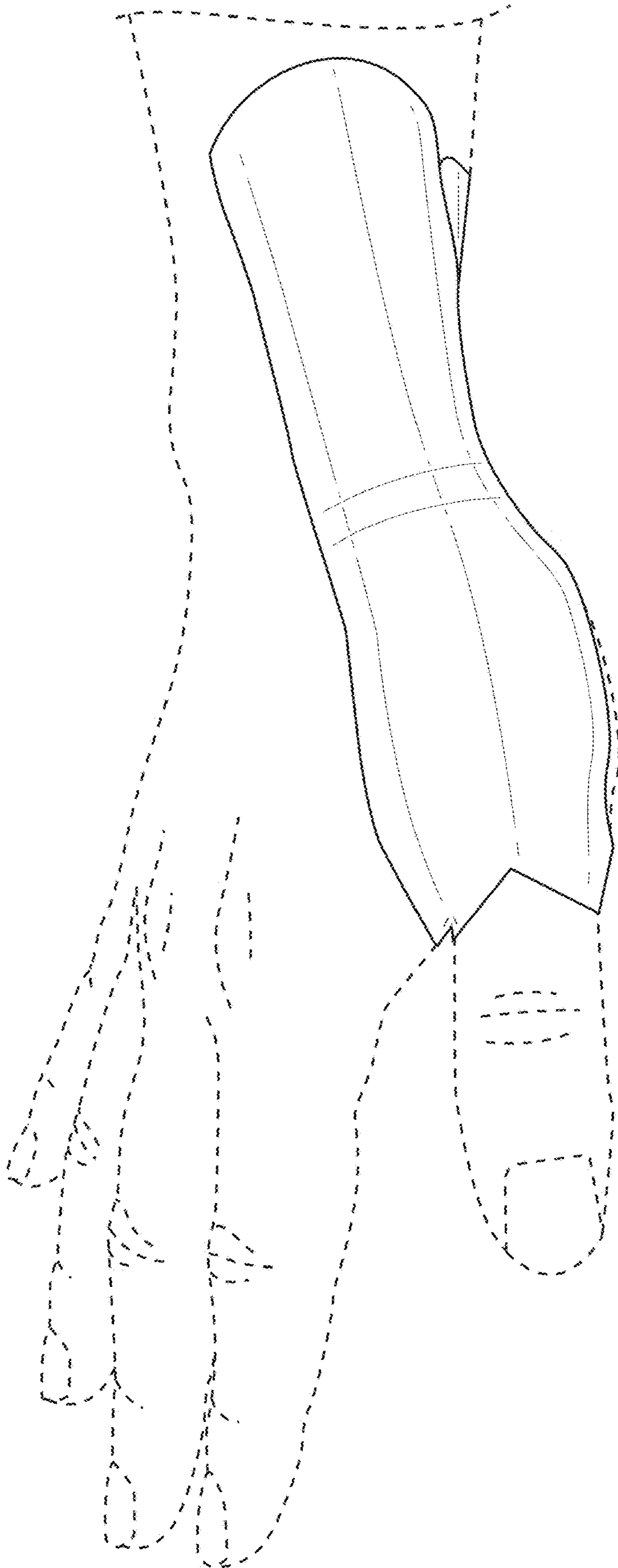
**FIG. 16**



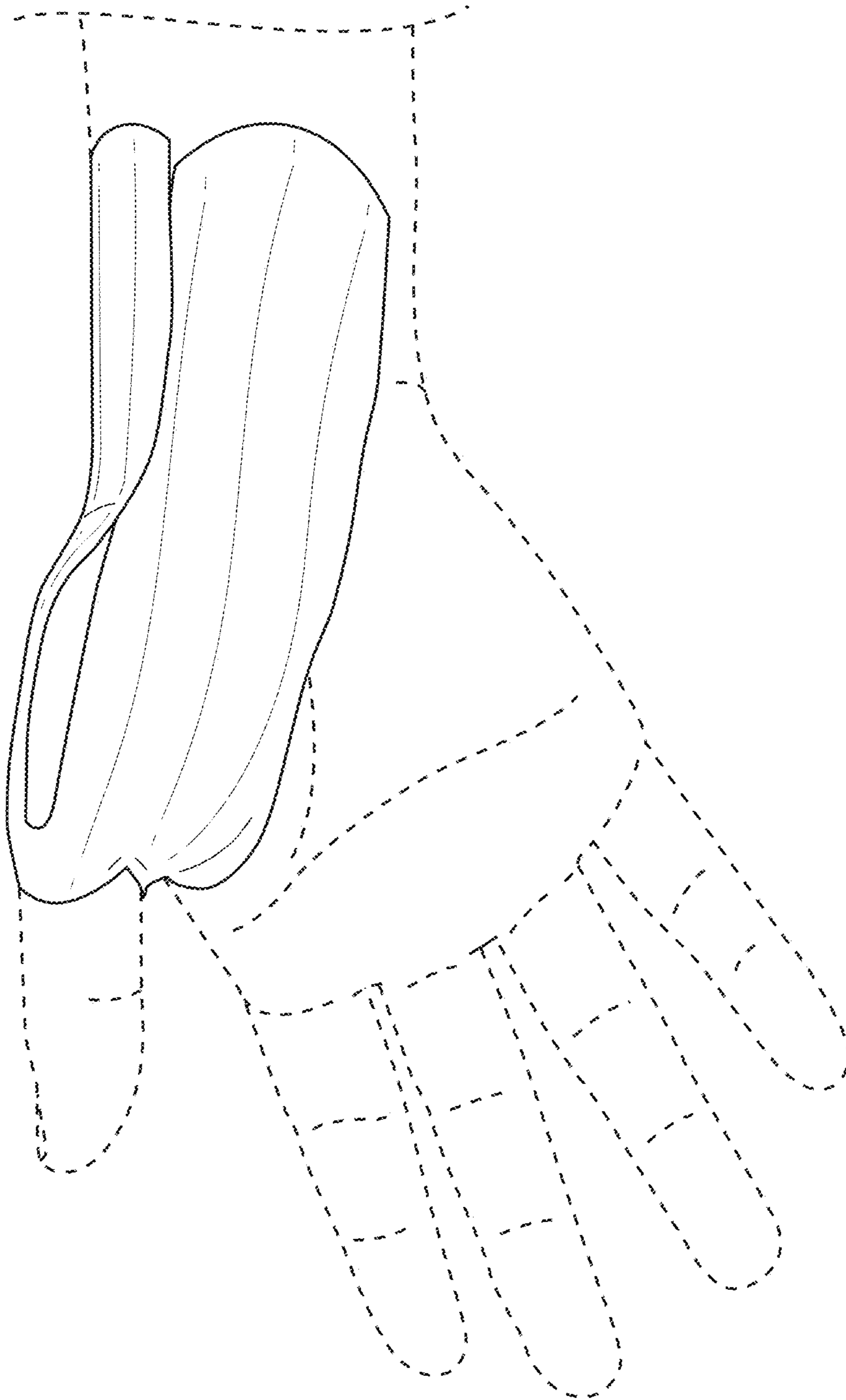
**FIG. 17**



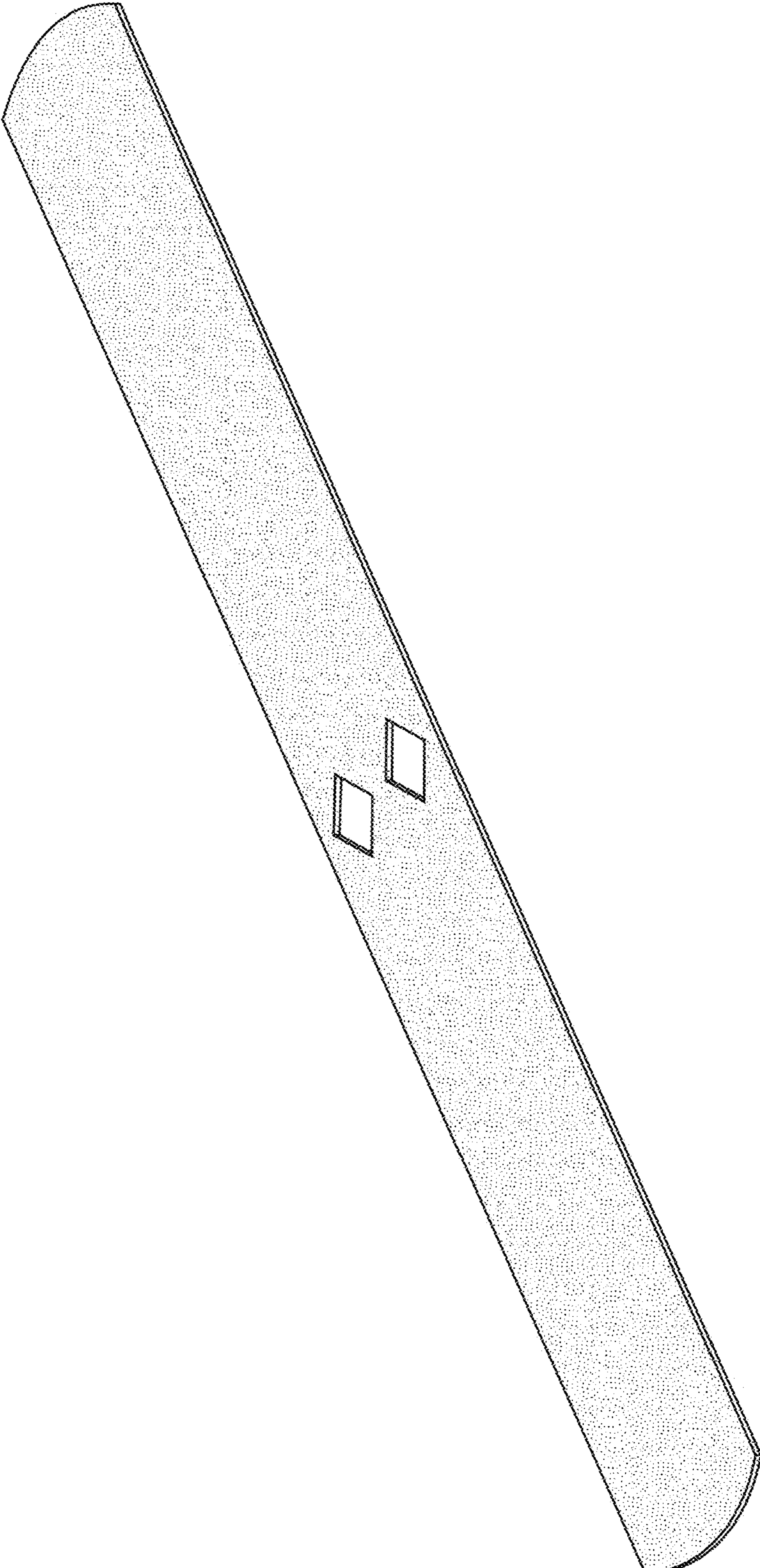
**FIG. 18**



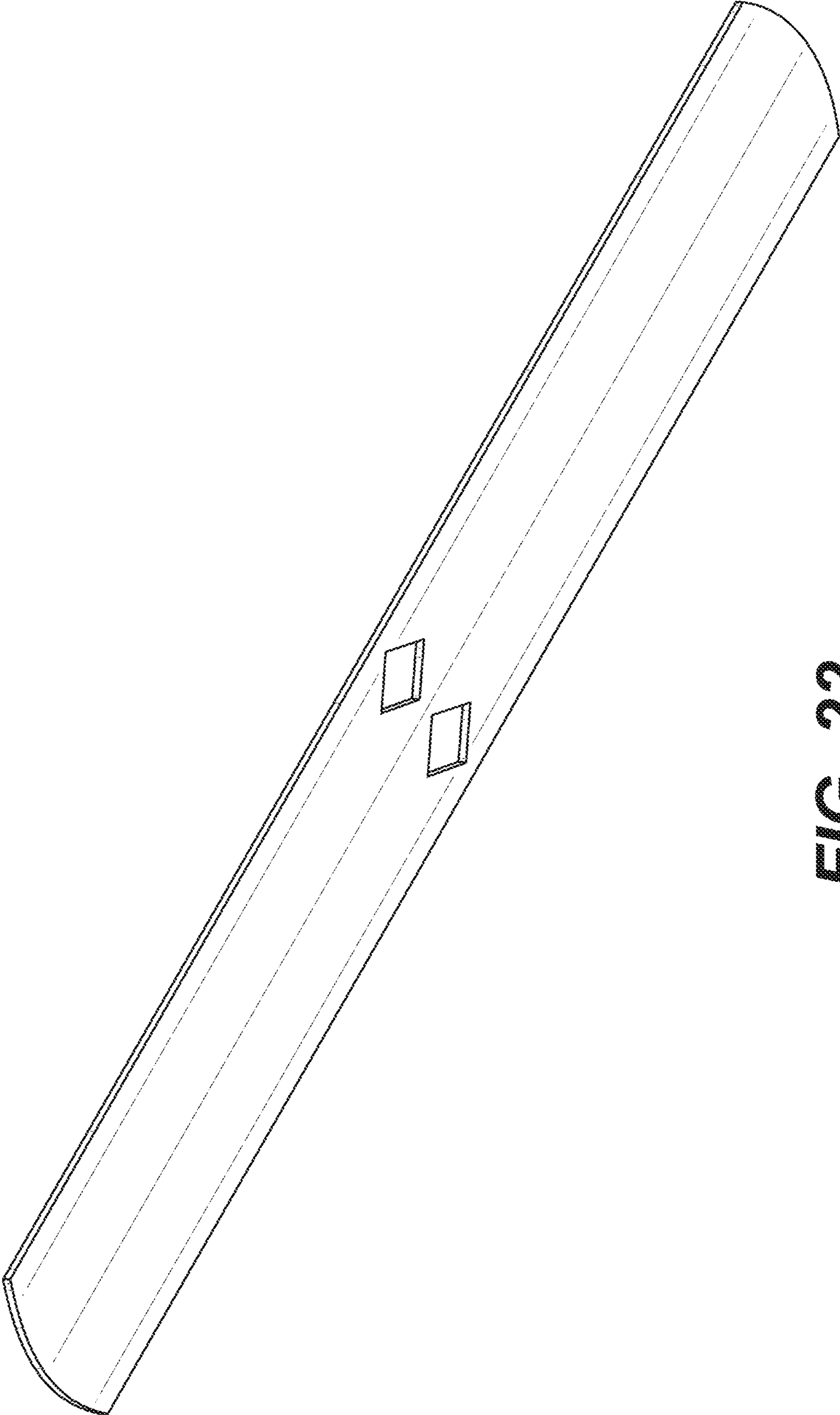
**FIG. 19**



**FIG. 20**

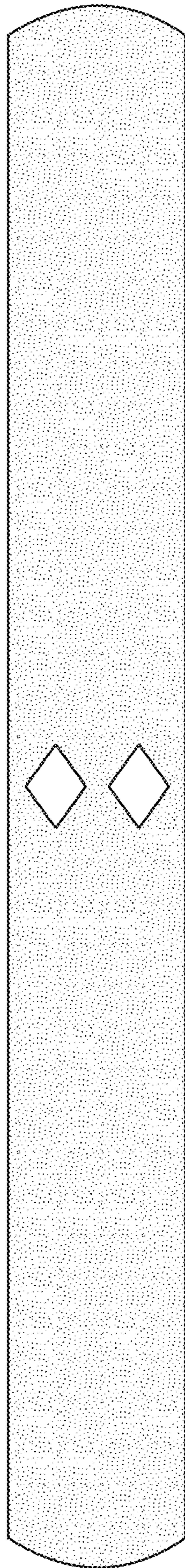


**FIG. 21**

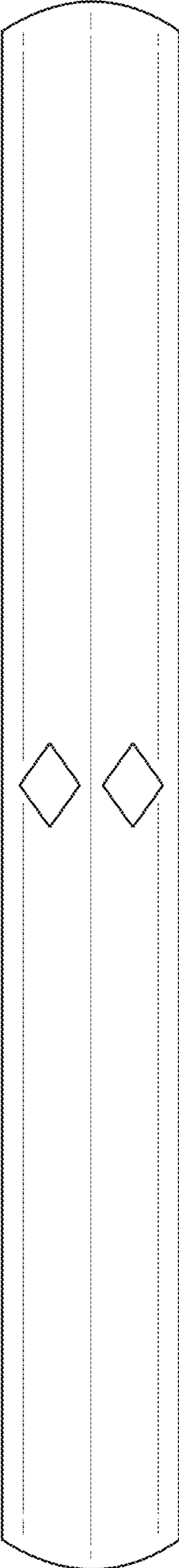


**FIG. 22**





**FIG. 23**



**FIG. 24**



**FIG. 25**



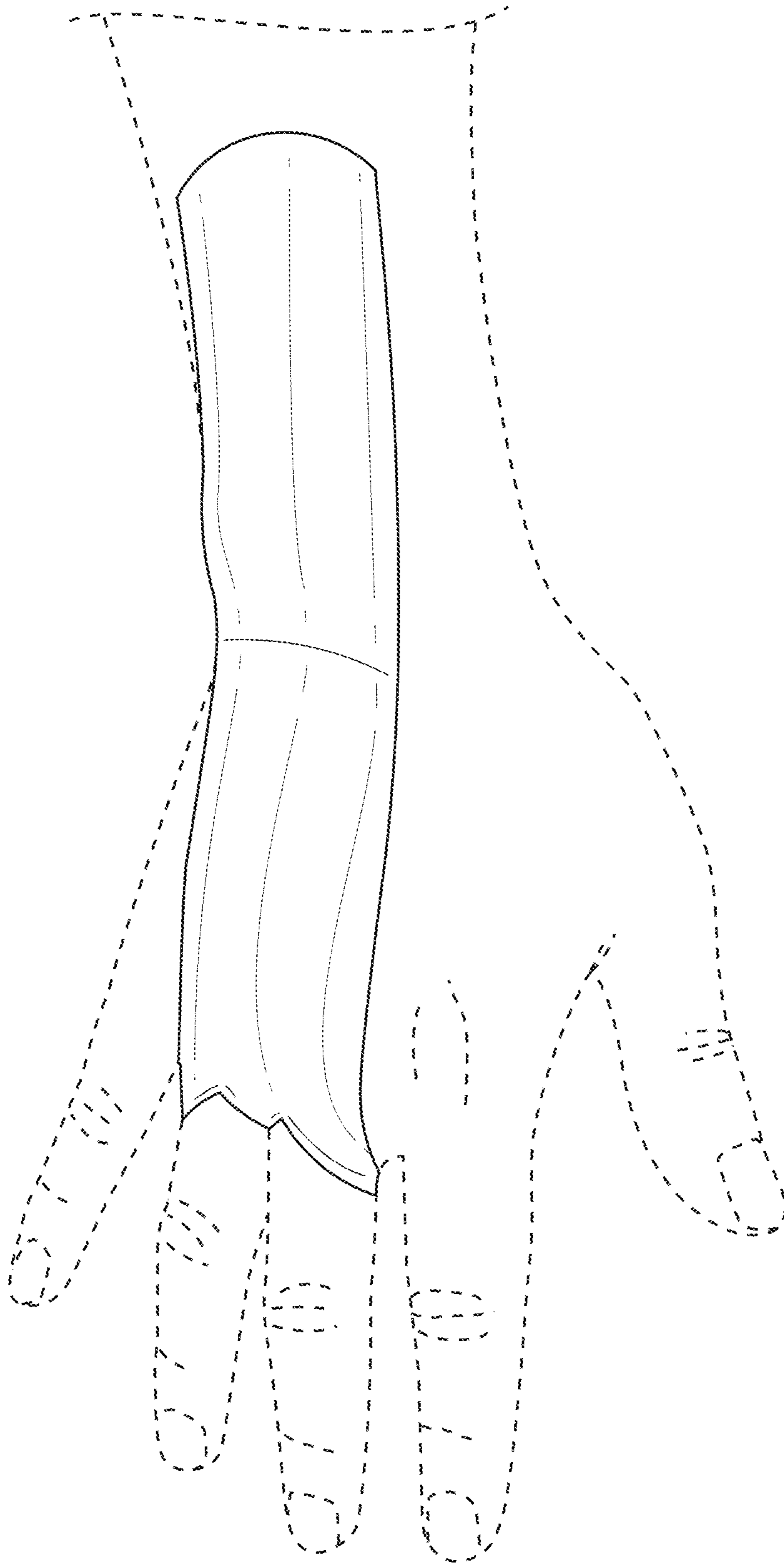
**FIG. 26**



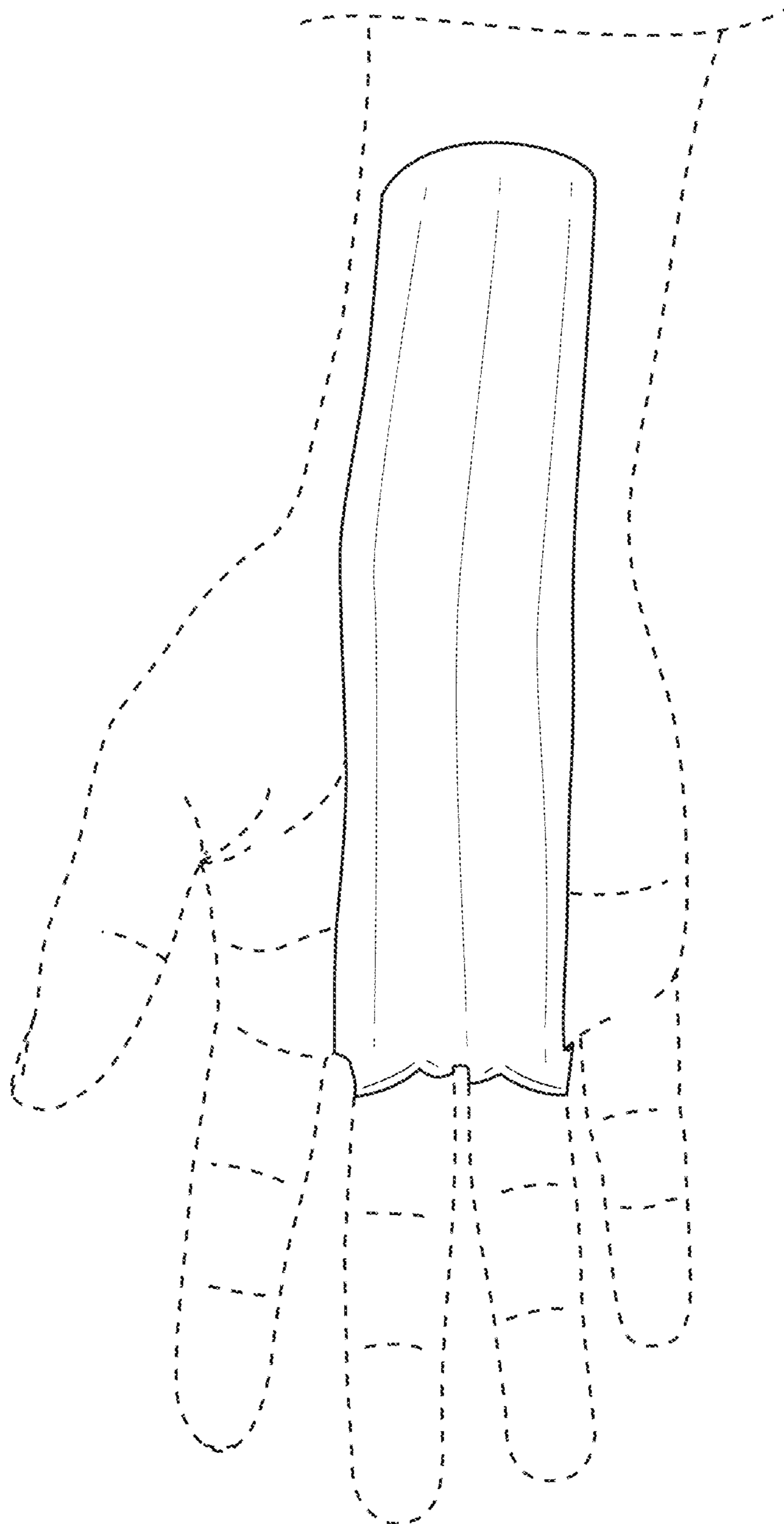
**FIG. 27**



**FIG. 28**

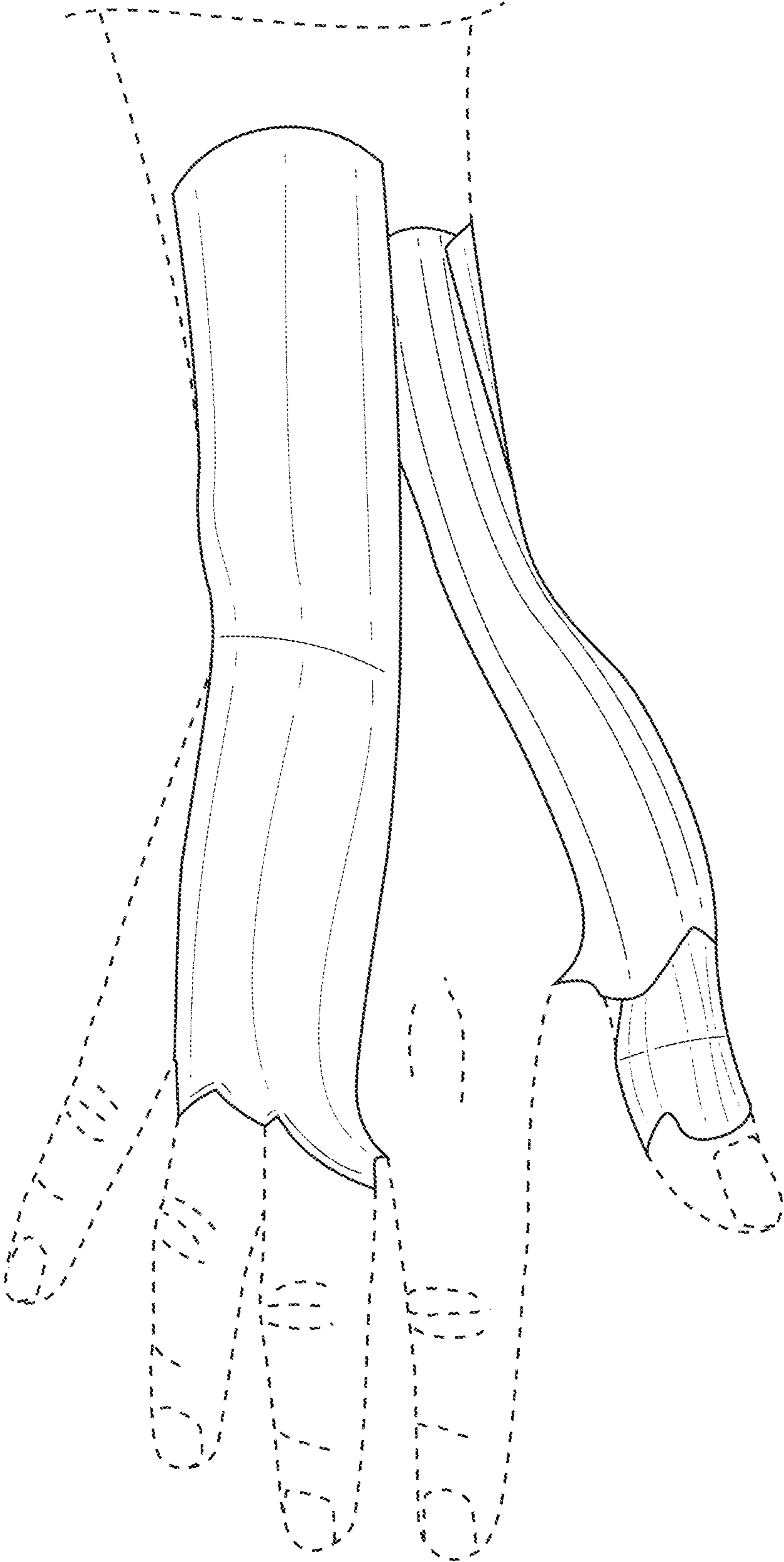


**FIG. 29**

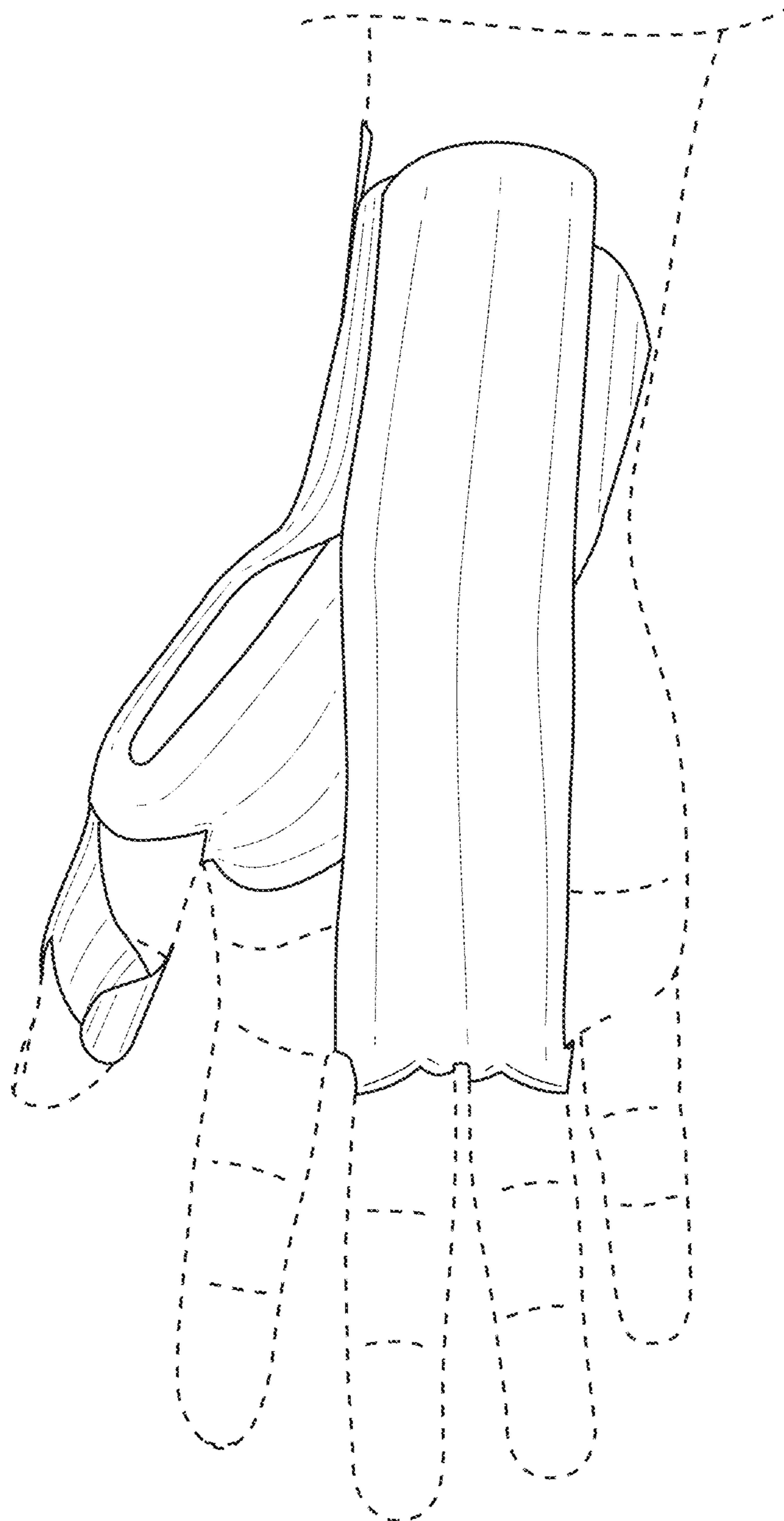


**FIG. 30**





**FIG. 31**



**FIG. 32**