



US00D882095S

(12) **United States Design Patent** (10) **Patent No.:** **US D882,095 S**  
**Sarig et al.** (45) **Date of Patent:** **\*\* Apr. 21, 2020**

(54) **DENTAL TOOL READER**

FOREIGN PATENT DOCUMENTS

(71) Applicant: **DENTSPLY SIRONA Inc.**, York, PA (US)

DE 102006057338 A1 6/2008

(72) Inventors: **Dror Sarig**, Misgav (IL); **Ami Kamil**, Beerotayim (IL)

OTHER PUBLICATIONS

International Search Report; PCT/US2019/028237; Oct. 15, 2019 (completed); Oct. 22, 2019 (dated).

(73) Assignee: **DENTSPLY SIRONA Inc.**, York, PA (US)

(Continued)

(\*\*) Term: **15 Years**

*Primary Examiner* — Wan Laymon

(74) *Attorney, Agent, or Firm* — Dentsply Sirona Inc.

(21) Appl. No.: **29/645,331**

(22) Filed: **Apr. 25, 2018**

(57) **CLAIM**

(51) **LOC (12) Cl.** ..... **24-02**

The ornamental design for a dental tool reader, as shown and described.

(52) **U.S. Cl.**

USPC ..... **D24/176**

(58) **Field of Classification Search**

USPC .... D24/176–178, 184–185, 232; 433/27, 31, 433/114, 119, 215

CPC ..... A61C 1/0015; A61C 1/08; A61C 1/084; A61C 3/04; A61C 5/40

See application file for complete search history.

**DESCRIPTION**

FIG. 1 is a perspective view of a dental tool reader of the present invention;

FIG. 2 is a left side view of the dental tool reader shown in FIG. 1;

FIG. 3 is a right side view of the dental tool reader shown in FIG. 1;

FIG. 4 is a front view of the dental tool reader shown in FIG. 1;

FIG. 5 is a back view of the dental tool reader shown in FIG. 1;

FIG. 6 is a top view of the dental tool reader shown in FIG. 1; and,

FIG. 7 is a bottom view of the dental tool reader shown in FIG. 1.

The broken lines immediately adjacent the claimed areas represent the bounds of the claim, and all other broken lines are included for the purpose of illustrating portions of the present invention that form no part of the claimed design. None of the broken lines form part of the claimed design.

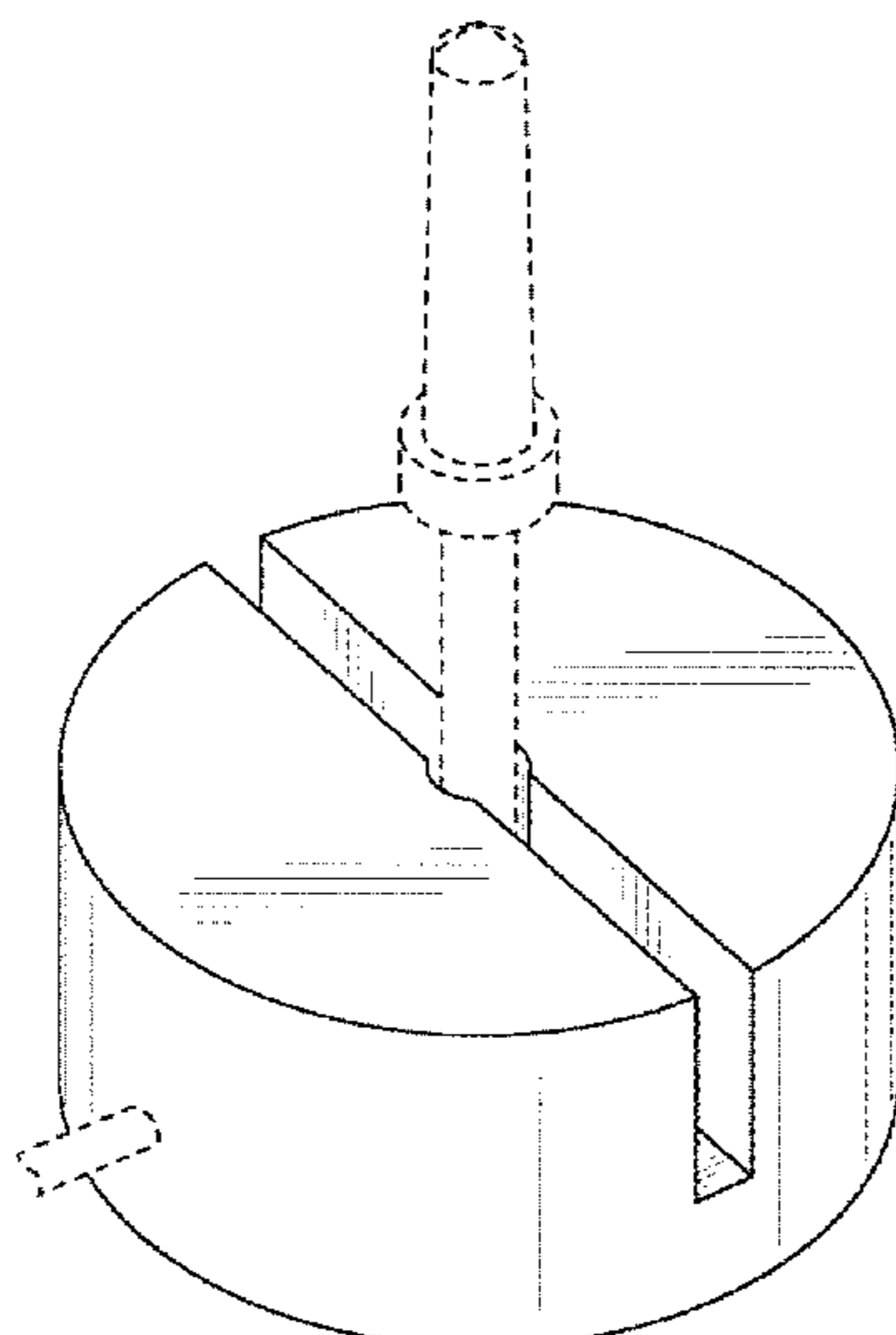
(56) **References Cited**

U.S. PATENT DOCUMENTS

4,900,252	A *	2/1990	Liefke	.....	A61C 3/04
					433/27
8,936,465	B2 *	1/2015	Helfenbein	.....	A61C 5/40
					433/114
9,313,558	B1	4/2016	Mandecki		
D768,862	S *	10/2016	Werner	.....	D24/176
2003/0062988	A1	4/2003	Mandecki		
2008/0010771	A1	1/2008	Hilscher		
2008/0221564	A1	9/2008	Rouiller		
2008/0254404	A1 *	10/2008	Heraud	.....	A61C 3/04
					433/27
2008/0293008	A1 *	11/2008	Regere	.....	A61C 1/0015
					433/119
2010/0161955	A1 *	6/2010	Helfenbein	.....	A61C 5/40
					713/100

(Continued)

**1 Claim, 7 Drawing Sheets**



(56)

**References Cited**

U.S. PATENT DOCUMENTS

2010/0248177 A1 9/2010 Mangelberger  
2010/0279250 A1\* 11/2010 Pond ..... A61C 1/0084  
433/80  
2014/0248577 A1\* 9/2014 Tahmasebi ..... A61C 1/082  
433/215  
2018/0092710 A1 4/2018 Bosisio

OTHER PUBLICATIONS

Written Opinion of the International Searching Authority; PCT/  
US2019/028237; Oct. 15, 2019 (completed); Oct. 22, 2019 (dated).

\* cited by examiner

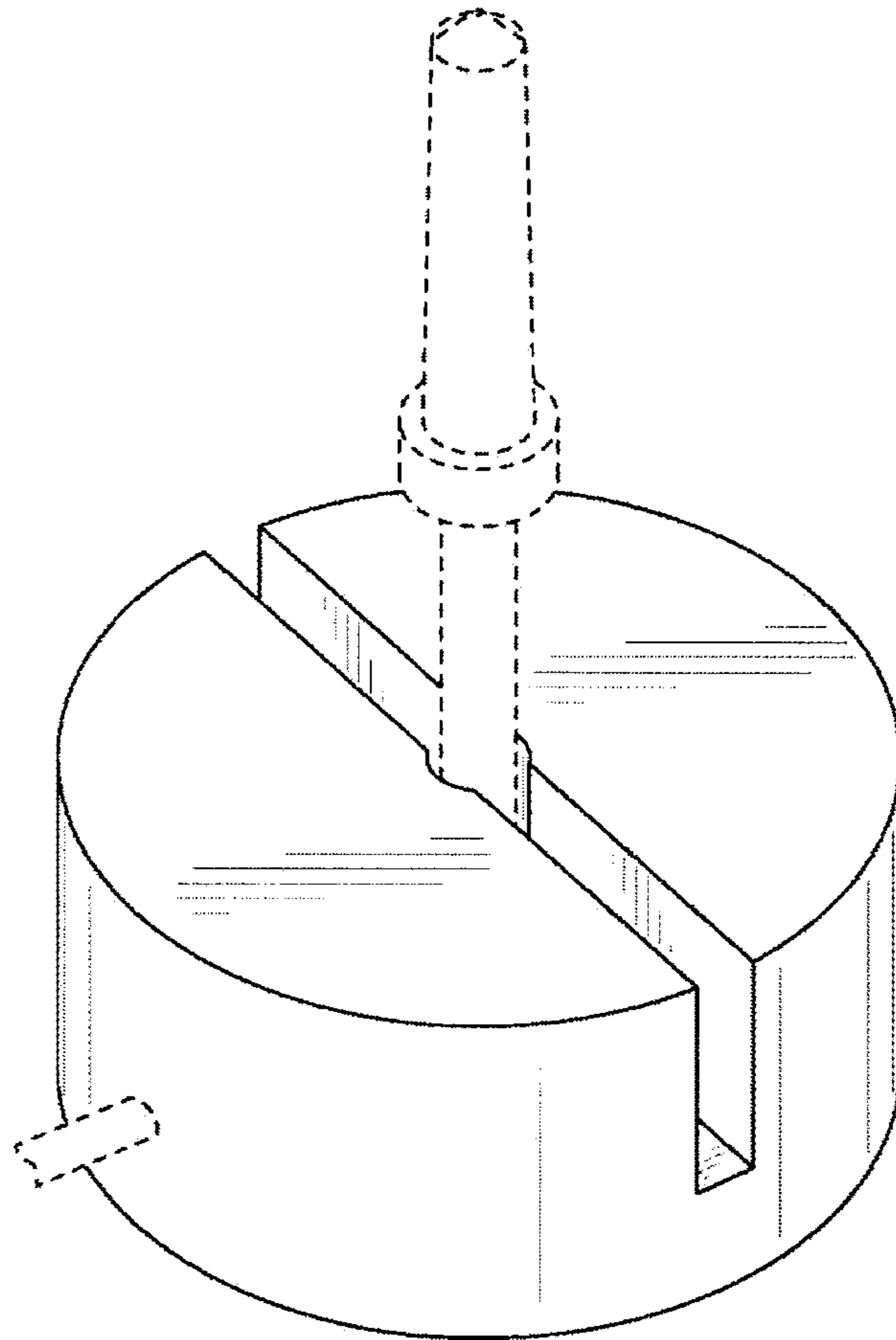


FIG. 1

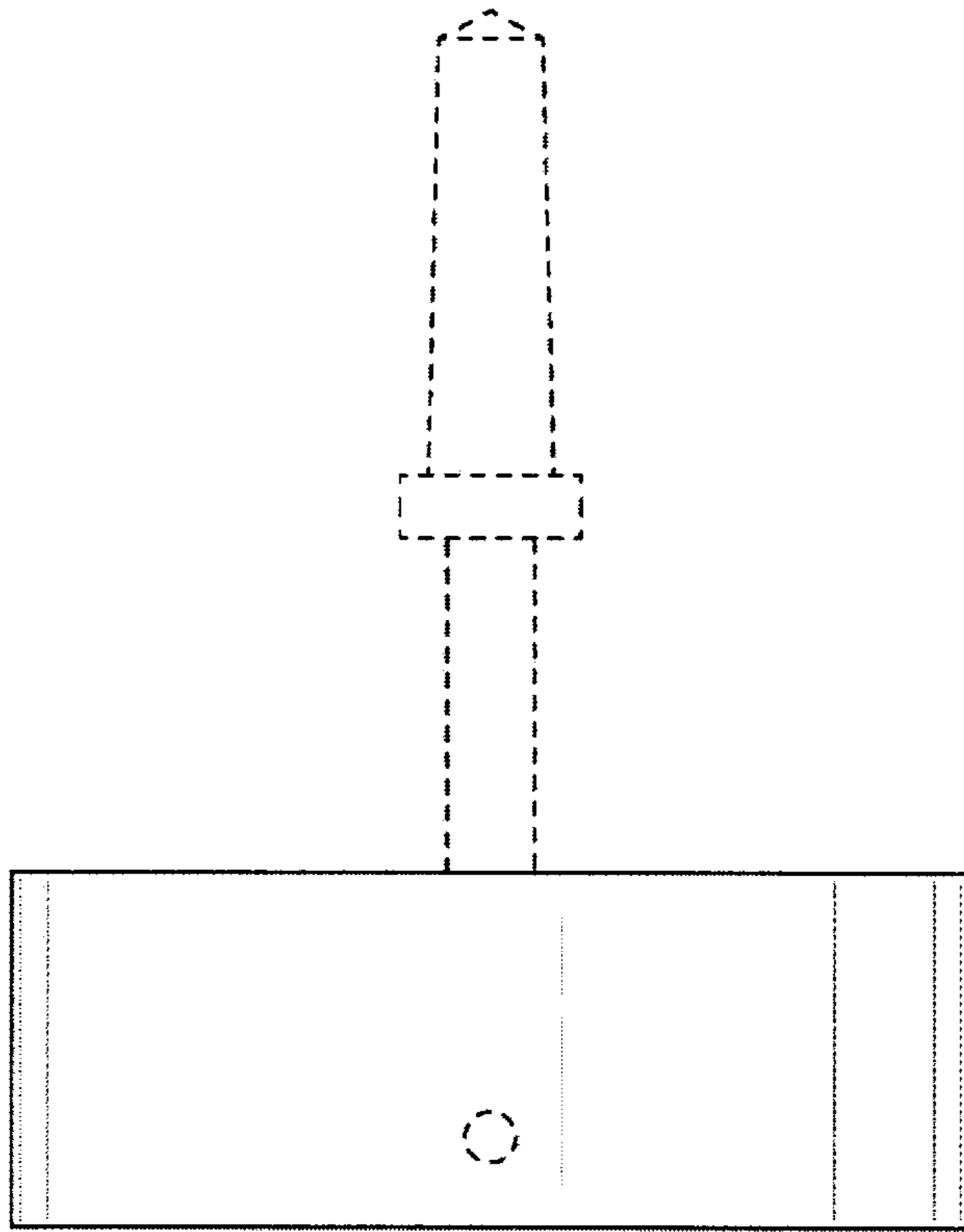


FIG. 2

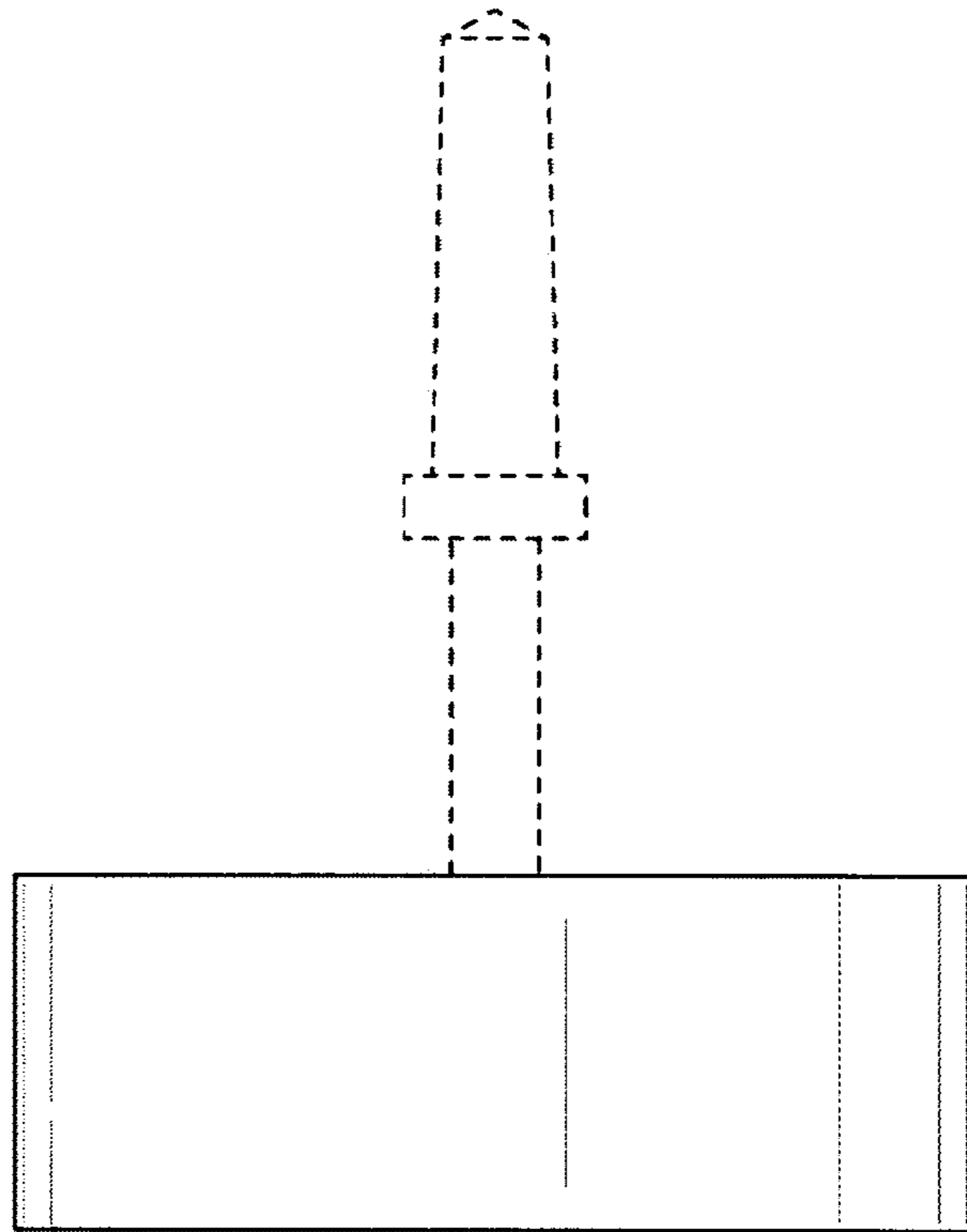


FIG. 3

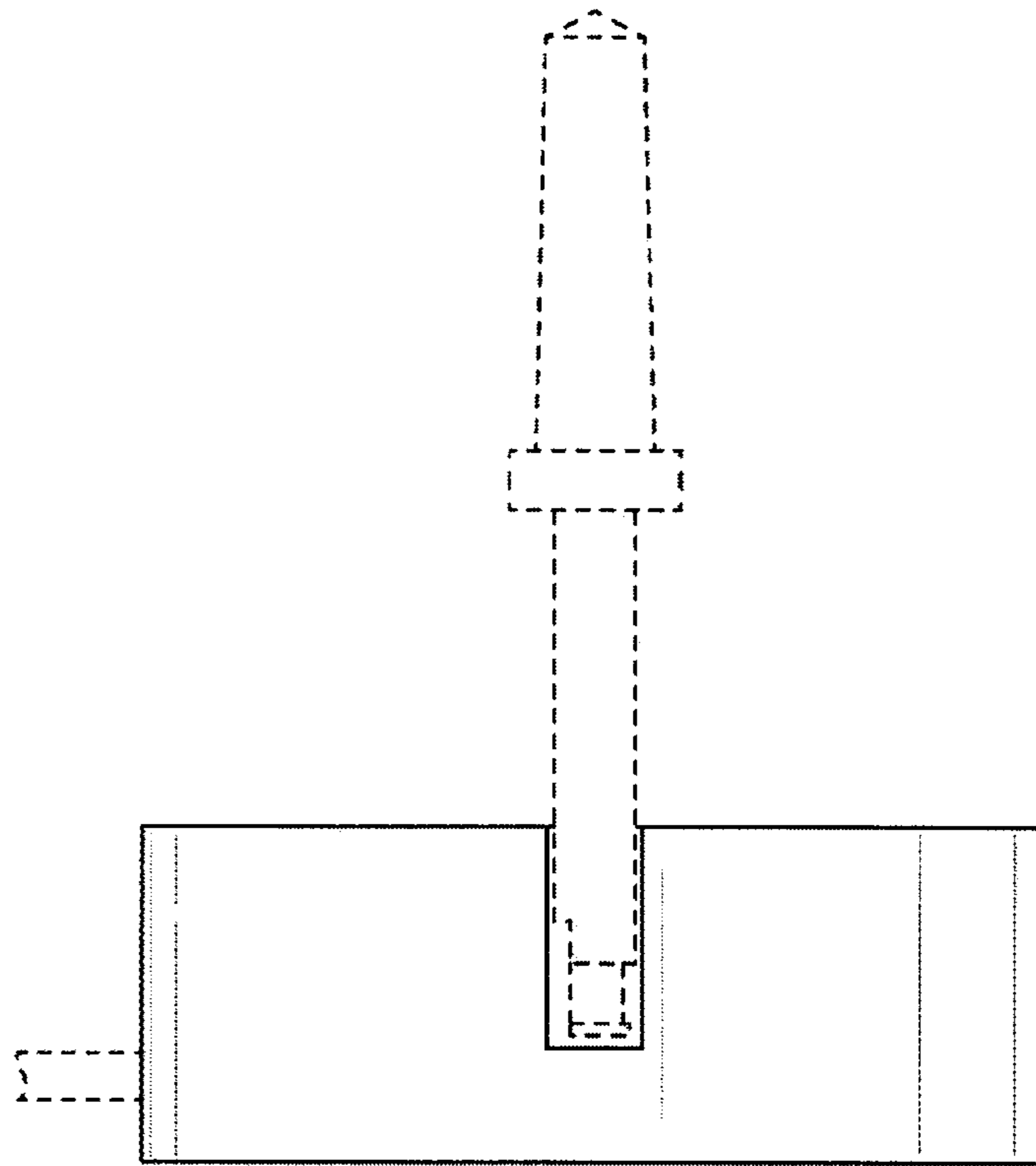


FIG. 4

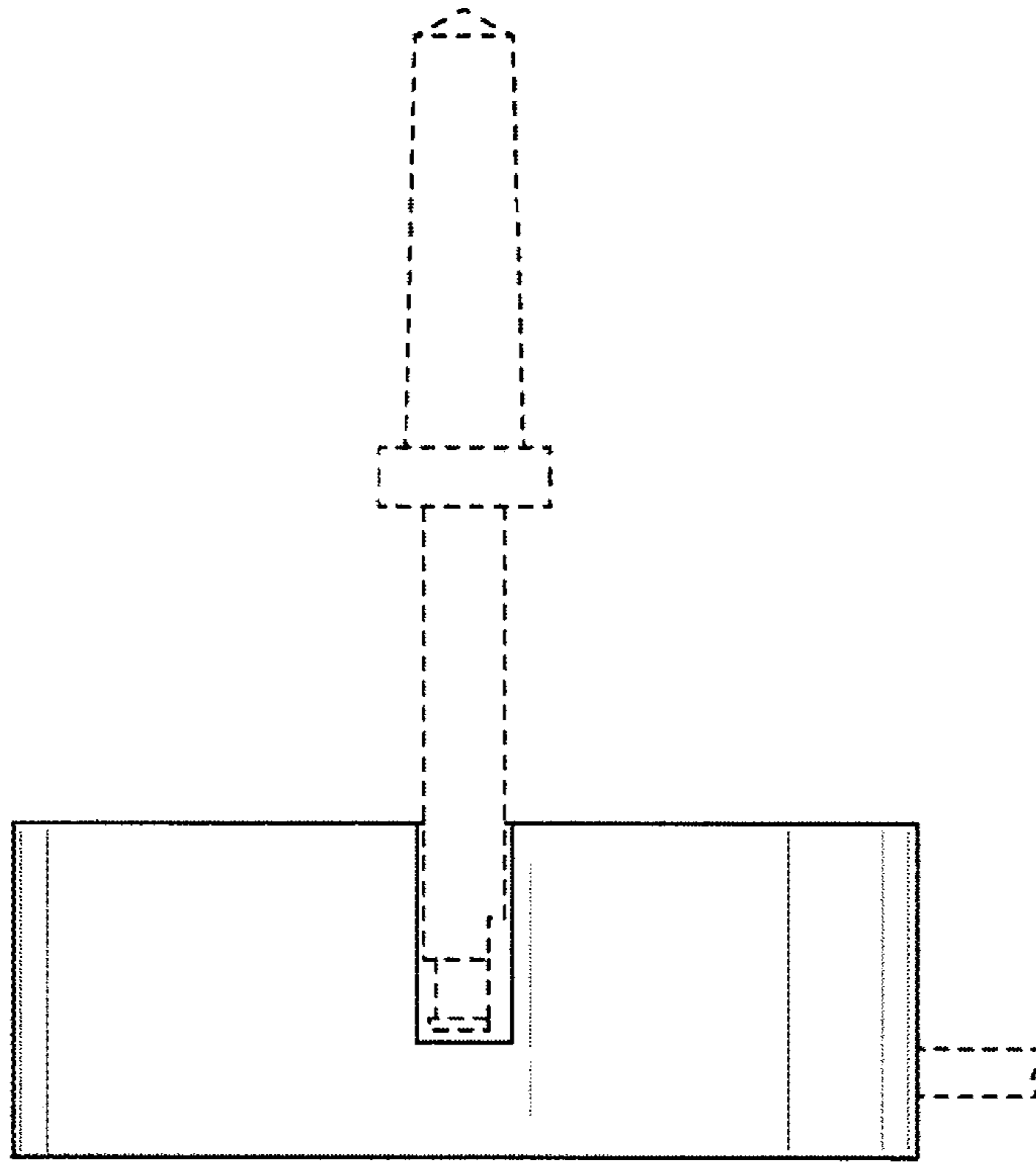


FIG. 5

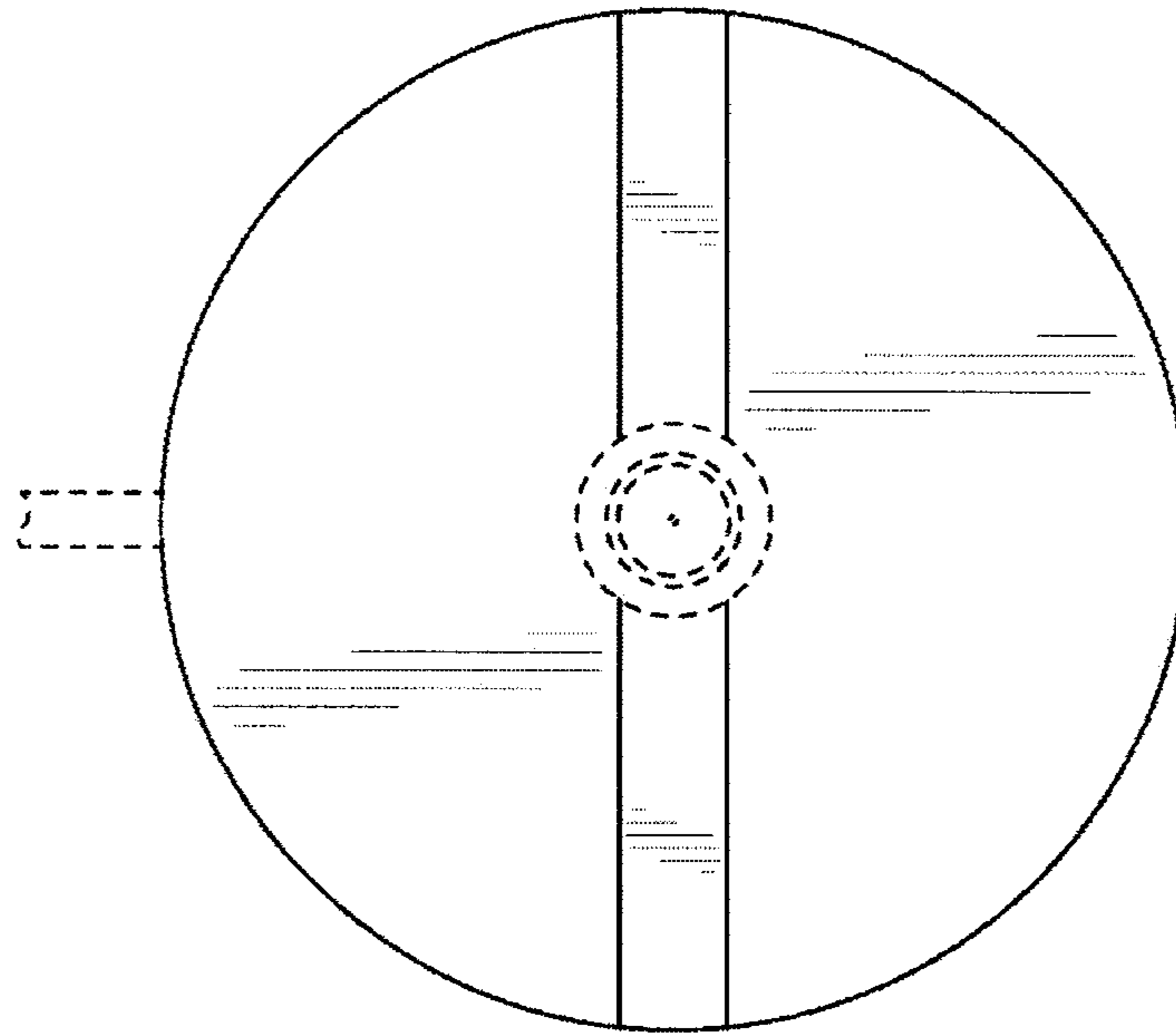


FIG. 6



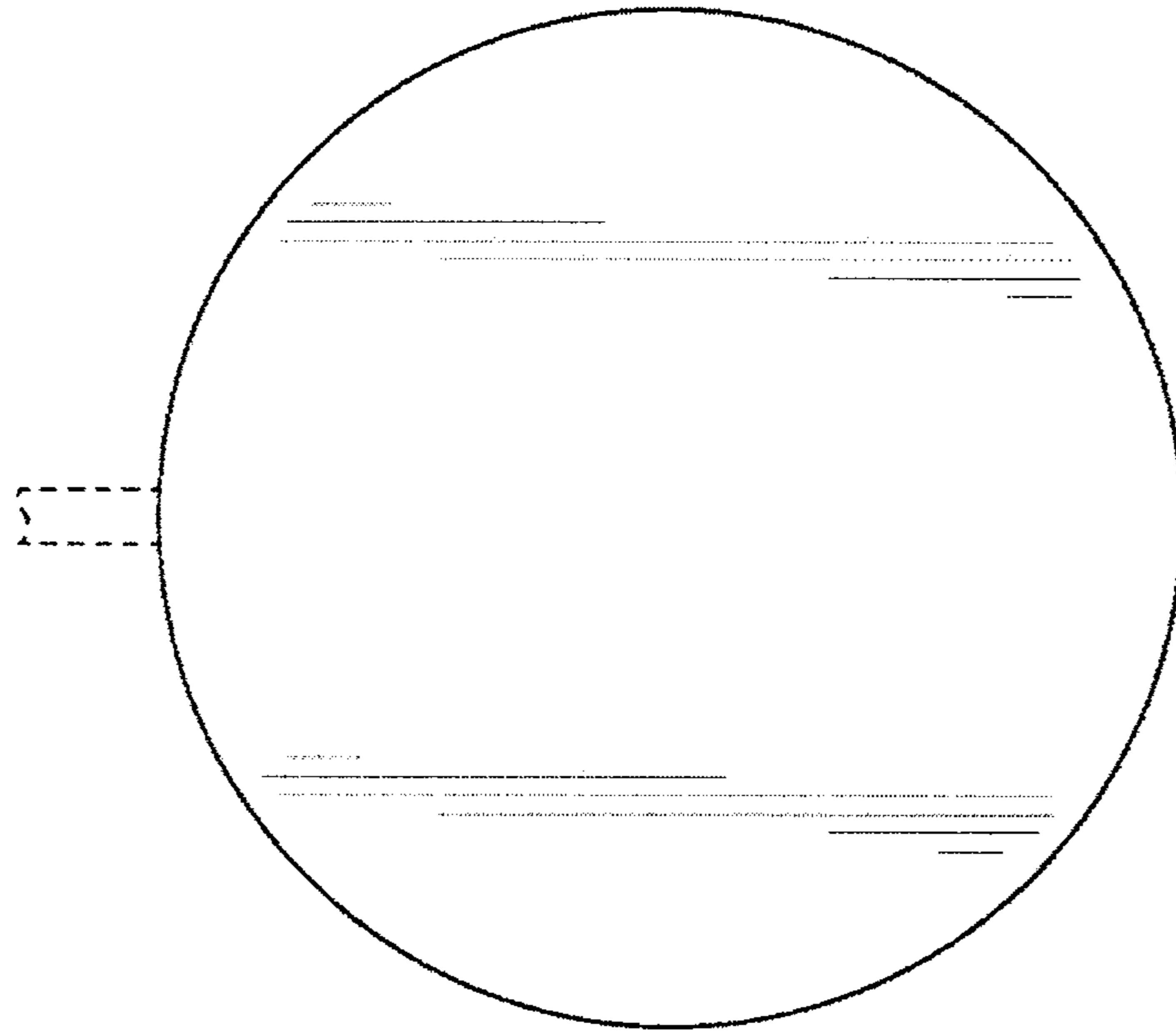


FIG. 7