



US00D882094S

(12) **United States Design Patent**  
**Katz et al.**

(10) **Patent No.:** **US D882,094 S**  
(45) **Date of Patent:** **\*\* Apr. 21, 2020**

- (54) **EYE EXAM APPARATUS**
- (71) Applicant: **GLOBECHEK ENTERPRISES, LLC**, Vero Beach, FL (US)
- (72) Inventors: **Adam M. Katz**, Vero Beach, FL (US);  
**William J. Mallon**, Vero Beach, FL (US)
- (73) Assignee: **GlobeChek Enterprises, LLC**, Vero Beach, FL (US)
- (\*\*) Term: **15 Years**
- (21) Appl. No.: **29/640,840**
- (22) Filed: **Mar. 16, 2018**

D245,866 S *	9/1977	Schuldenfrei .....	D25/10
D252,410 S *	7/1979	Graser .....	D99/28
4,174,594 A *	11/1979	Panzini .....	E04H 1/1222 52/65
D255,719 S *	7/1980	Panzini .....	D25/16
D279,711 S *	7/1985	English .....	D25/19
D327,376 S *	6/1992	Piccamiglio .....	D21/709
D379,375 S *	5/1997	Bowman .....	D20/10
D396,115 S *	7/1998	Zobel, Jr. ....	D25/13
D545,977 S *	7/2007	Kluska .....	D25/19
D605,306 S *	12/2009	Arnell .....	D25/31
D668,720 S *	10/2012	Mascarelli .....	D20/29
D693,479 S *	11/2013	McCall .....	D24/158
D694,890 S *	12/2013	Bott .....	D24/172
D735,342 S *	7/2015	Asad .....	D24/185
D737,450 S *	8/2015	Abelson .....	D24/172
D746,472 S *	12/2015	Morgan .....	D24/183
D756,041 S *	5/2016	Robbins, III .....	D25/19
D819,214 S *	5/2018	Katz .....	D24/172

\* cited by examiner

**Related U.S. Application Data**

- (63) Continuation-in-part of application No. PCT/US2017/051946, filed on Sep. 17, 2017.
- (51) **LOC (12) Cl.** ..... **24-02**
- (52) **U.S. Cl.**  
USPC ..... **D24/172**
- (58) **Field of Classification Search**  
USPC ..... D24/172, 183, 185, 168, 209; D25/19,  
D25/31, 13, 16, 10; D20/29, 10;  
D21/709; D99/28  
CPC ..... E04H 1/1222; A61B 3/02; G10K 11/006  
See application file for complete search history.

*Primary Examiner* — Rhea Shields

(74) *Attorney, Agent, or Firm* — Stephen C. Thomas

(57) **CLAIM**

The ornamental design for an eye exam apparatus, as shown and described.

**DESCRIPTION**

FIG. 1 is a front view of the eye exam apparatus, showing our new design;  
 FIG. 2 is a right side view thereof;  
 FIG. 3 is a left side view thereof;  
 FIG. 4 is a rear view thereof;  
 FIG. 5 is a top view thereof; and,  
 FIG. 6 is a perspective view thereof.

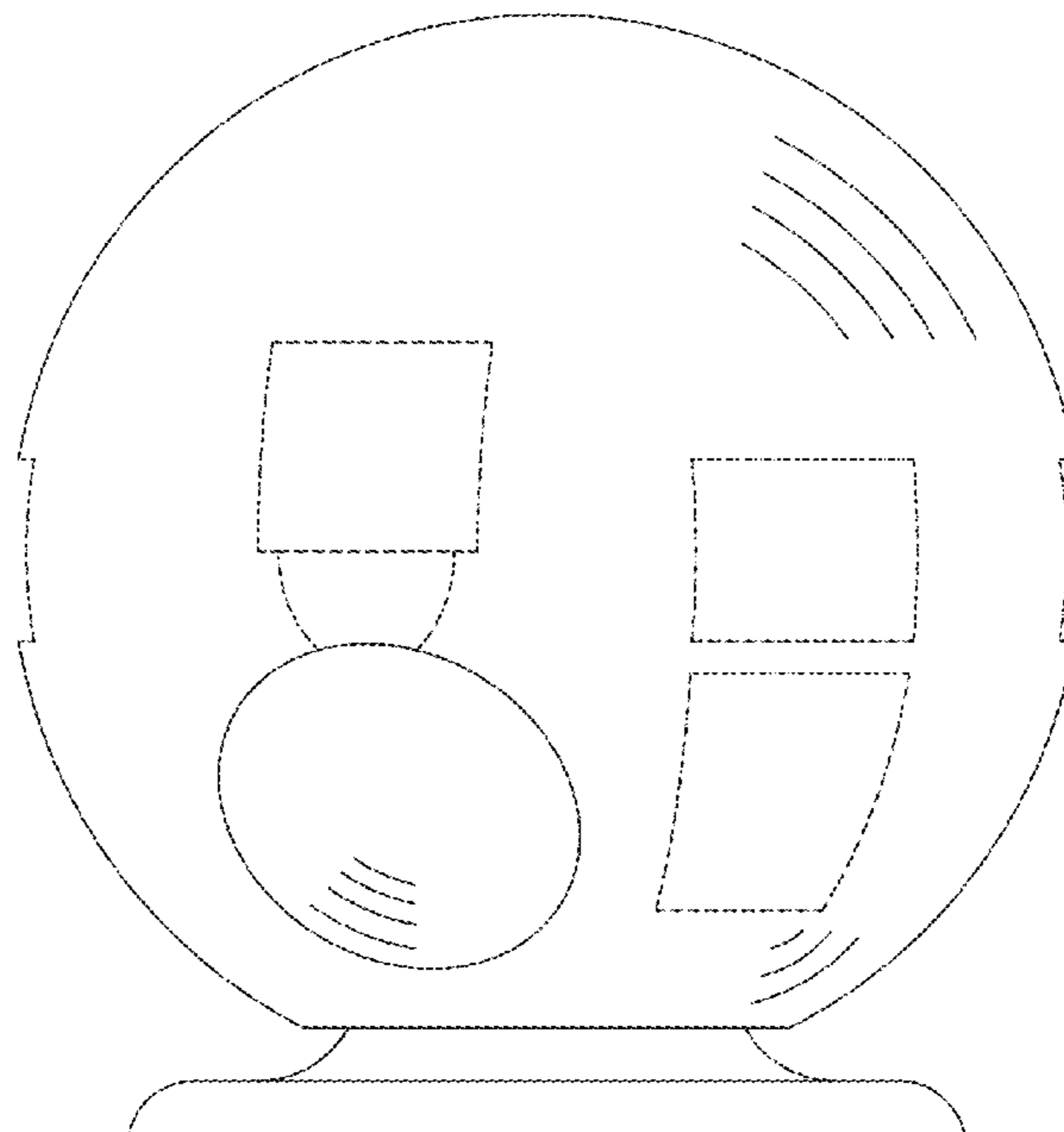
In the drawings, the broken lines are for the purpose of illustrating portions of the eye exam apparatus that form no part of the claimed design.

**1 Claim, 6 Drawing Sheets**

(56) **References Cited**

**U.S. PATENT DOCUMENTS**

3,477,779 A *	11/1969	Tadayoshi .....	A61B 3/02 351/241
D233,371 S *	10/1974	Fila .....	D24/209
3,908,790 A *	9/1975	Phelps, Jr. ....	G10K 11/006 181/198



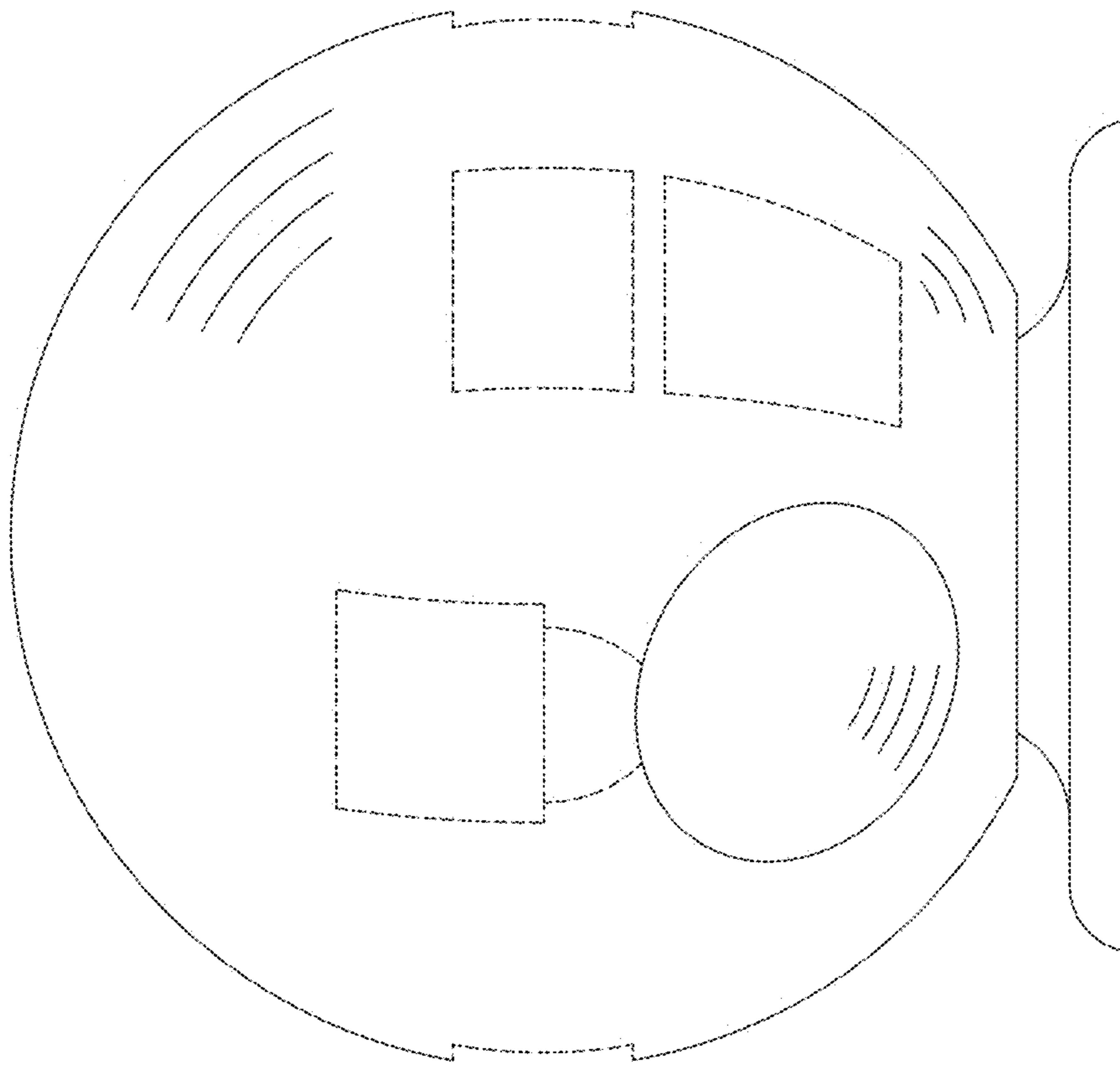


Fig. 1

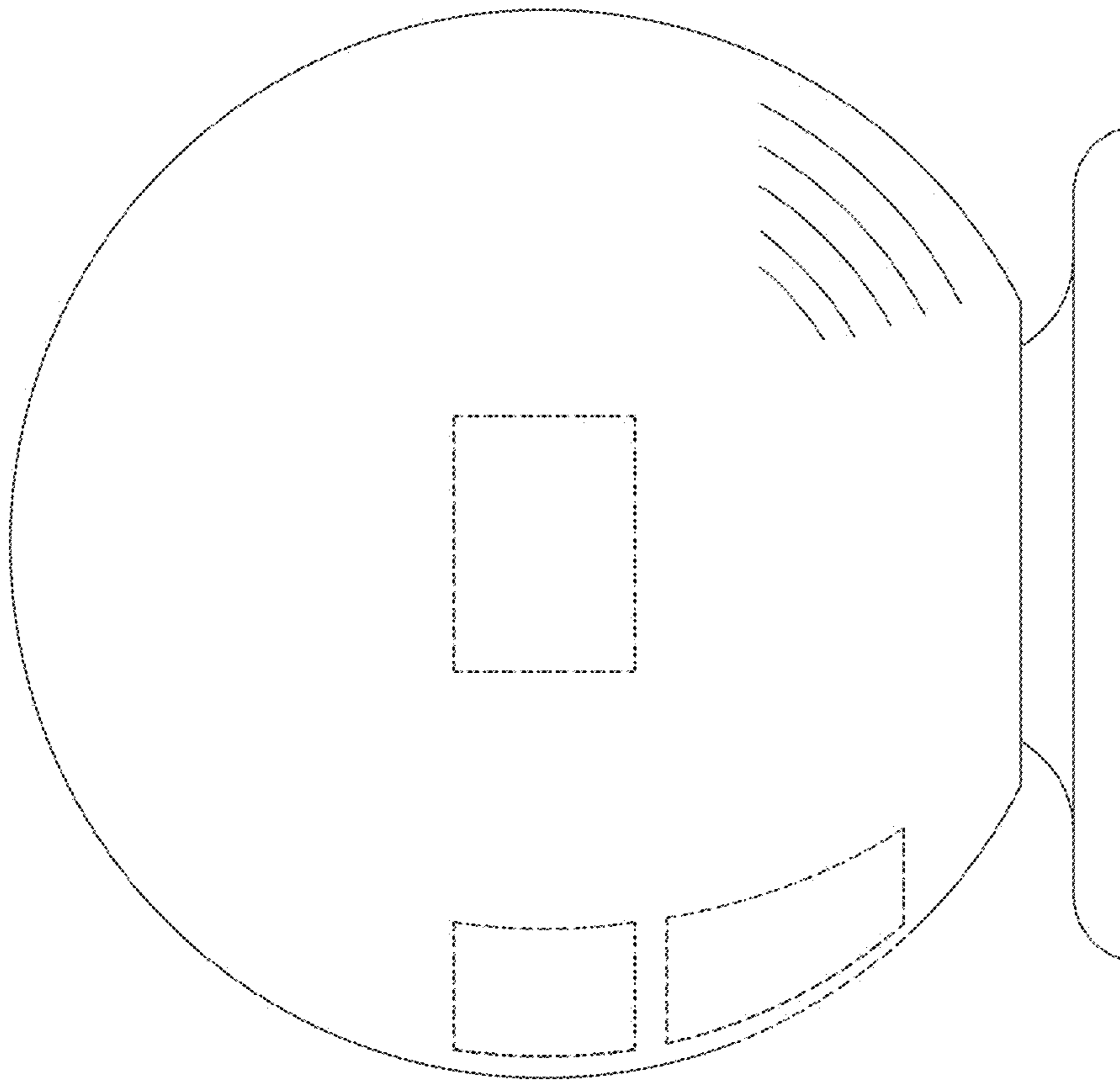


Fig. 2

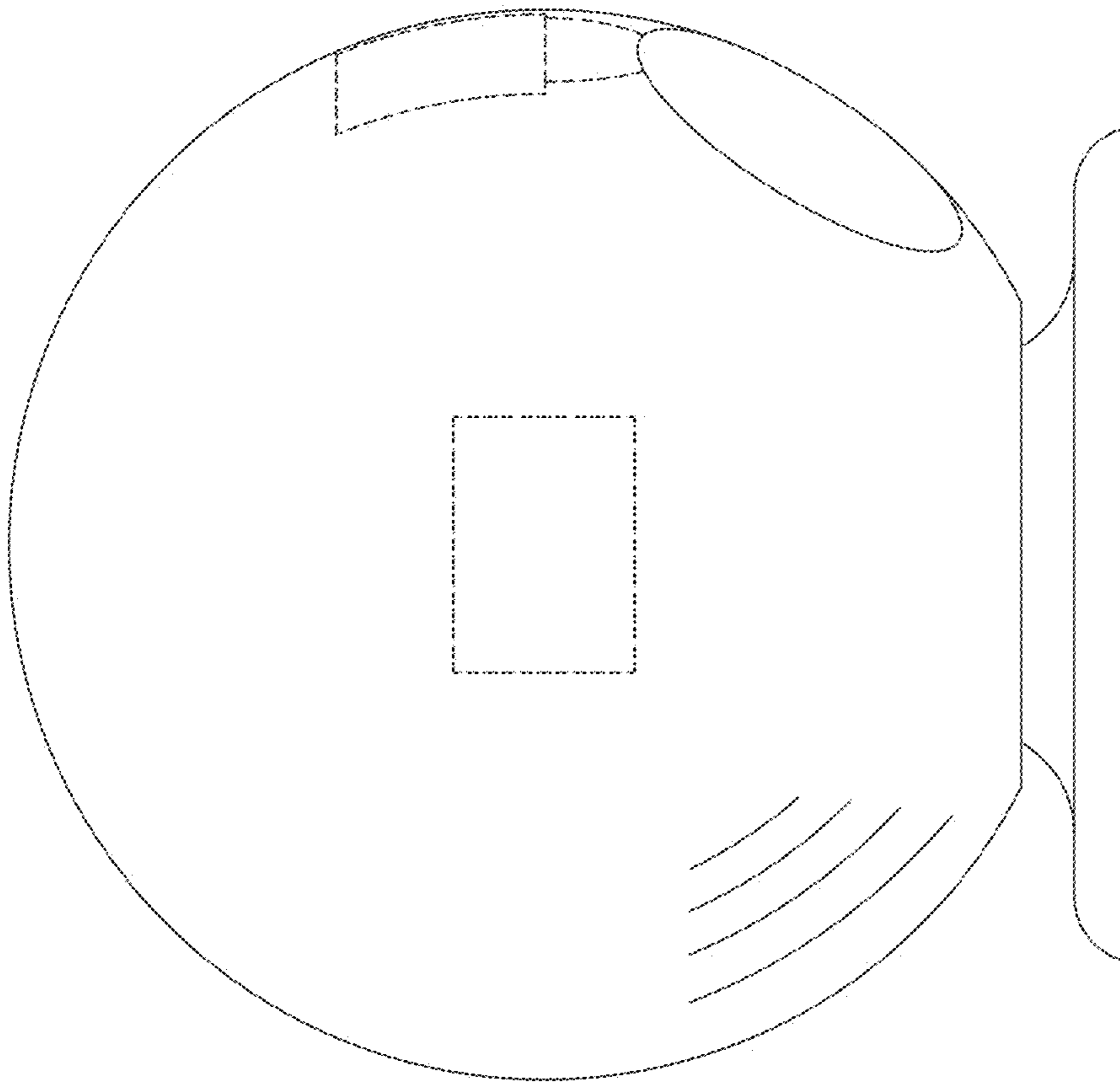


Fig. 3

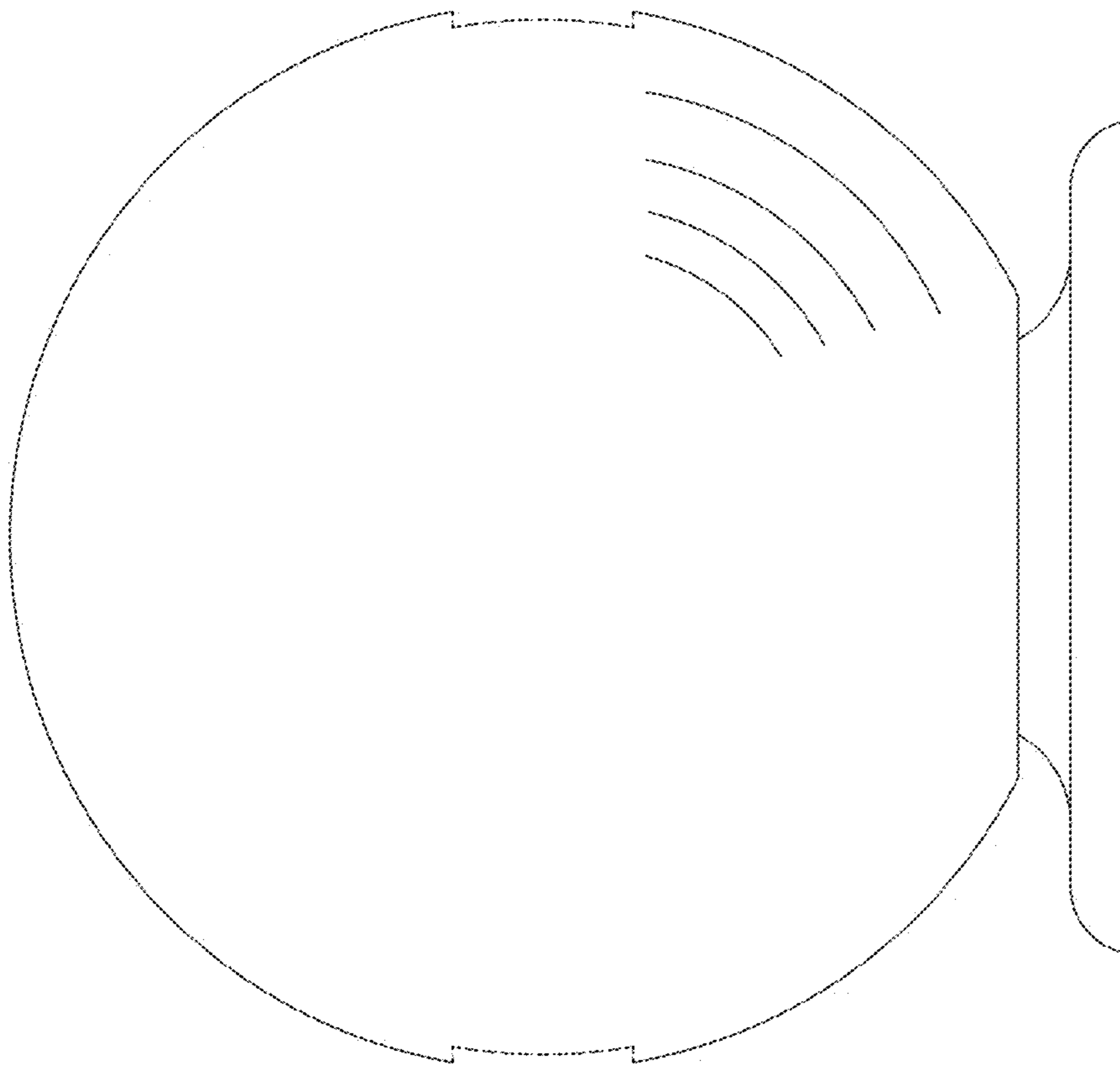


Fig. 4

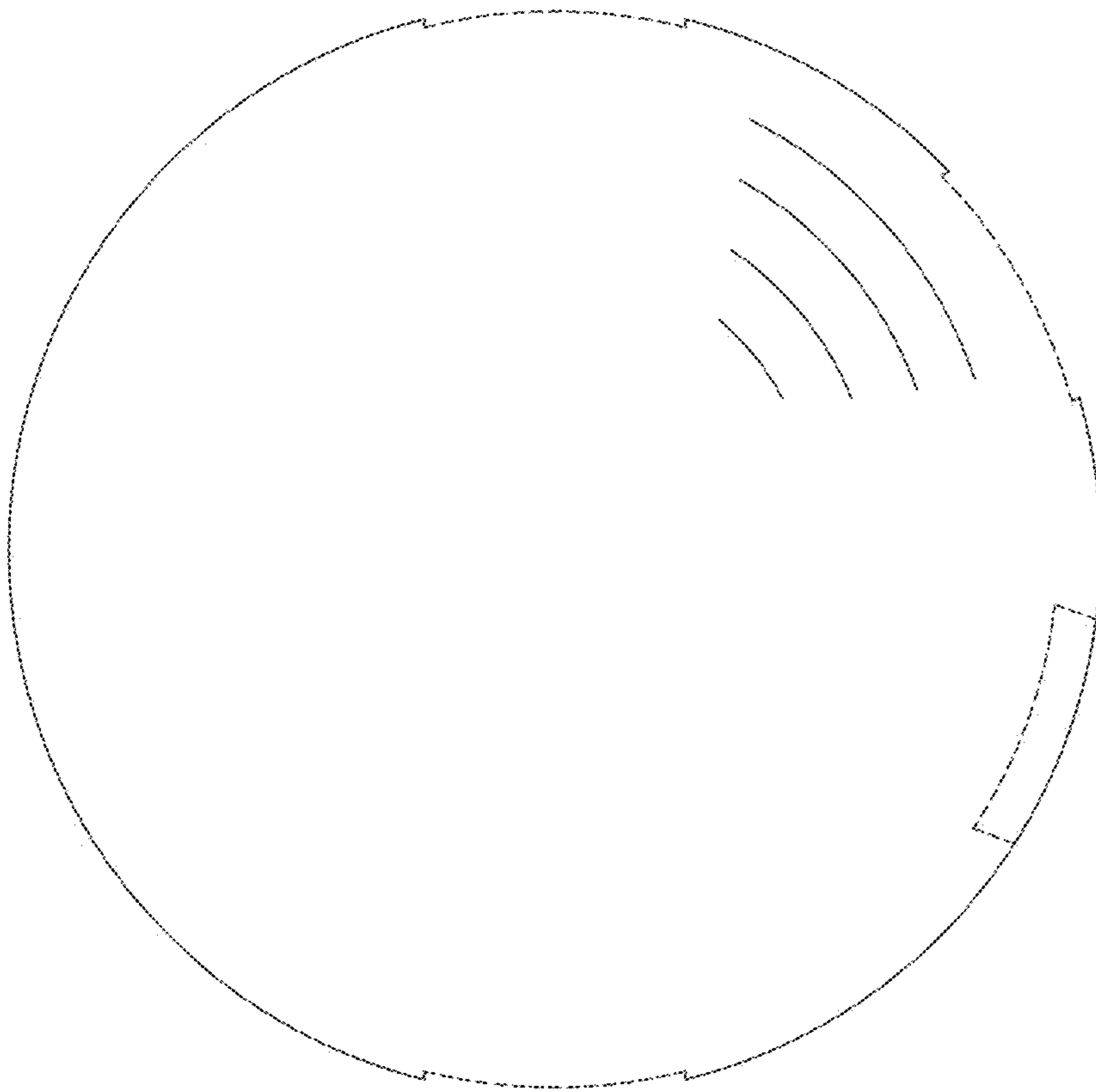


FIG. 5

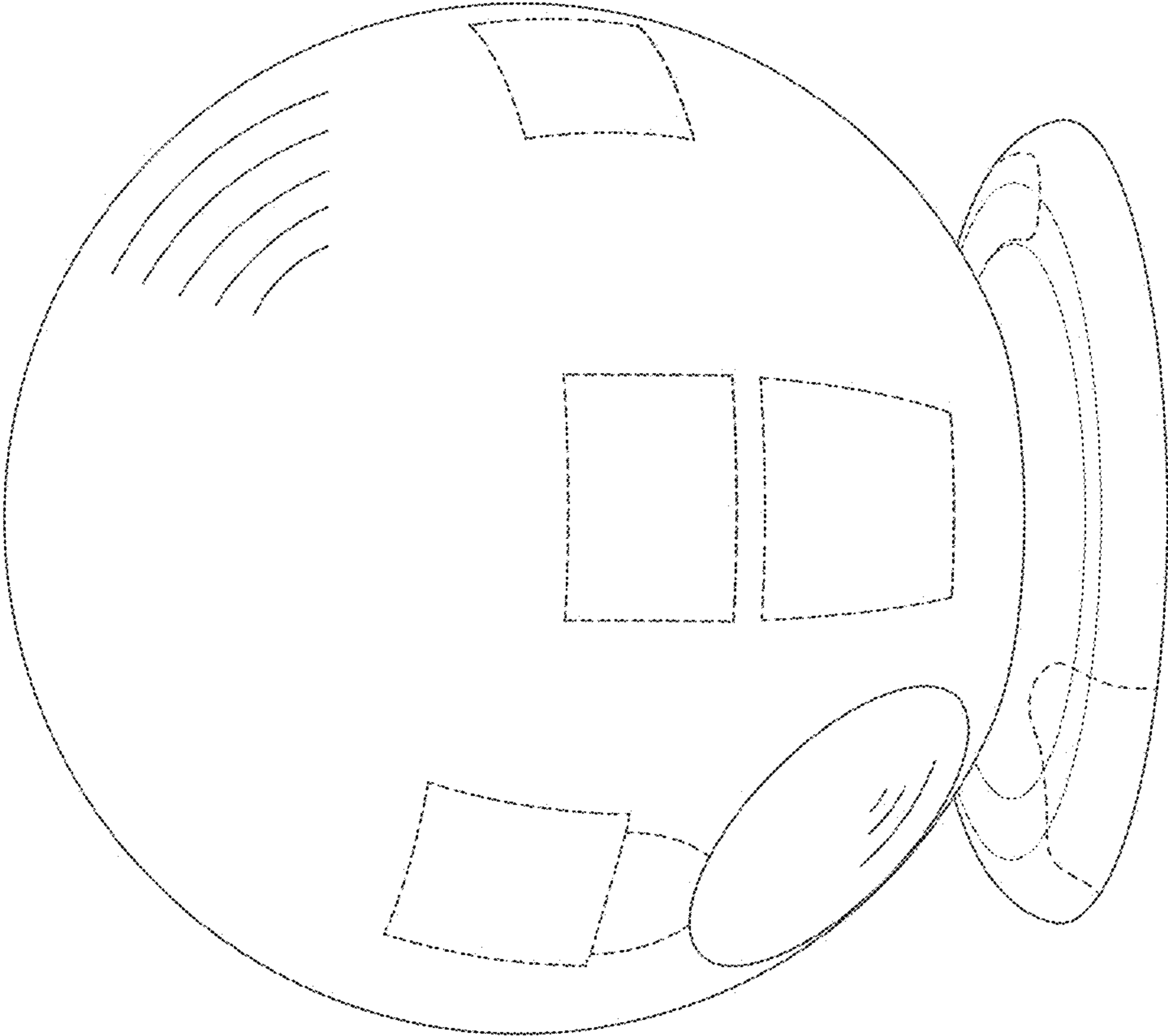


Fig. 6