



US00D882093S

(12) **United States Design Patent**
Penn

(10) **Patent No.:** **US D882,093 S**

(45) **Date of Patent:** **** Apr. 21, 2020**

(54) **INCUBATOR FOR MICROBIOLOGY**

(71) Applicant: **Tintometer GmbH**, Dortmund (DE)

(72) Inventor: **Amy Penn**, Amesbury (GB)

(73) Assignee: **Tintometer GmbH**, Dortmund (DE)

(**) Term: **15 Years**

(21) Appl. No.: **29/644,062**

(22) Filed: **Apr. 13, 2018**

(51) **LOC (12) Cl.** **24-01**

(52) **U.S. Cl.**
USPC **D24/163**

(58) **Field of Classification Search**
USPC D24/107, 163, 164, 186, 216, 224, 231,
D24/232; D30/108, 117, 199; D10/50,
D10/81
CPC A61G 11/00; A61G 11/002; A61G 11/005;
A61G 11/009
See application file for complete search history.

(56) **References Cited**

U.S. PATENT DOCUMENTS

4,689,303 A * 8/1987 Kraft B01L 7/00
126/21 A
D637,292 S * 5/2011 Hudson D24/163
D658,307 S * 4/2012 Recchi D24/216

D739,023 S * 9/2015 Mochizuki D24/163
D814,127 S * 3/2018 Bae D30/199
D819,821 S * 6/2018 Yamanaka D24/163
D825,778 S * 8/2018 Brenner D24/232
2013/0091890 A1* 4/2013 Schryver A01N 1/0263
62/440
2017/0127665 A1* 5/2017 Jaffal A01N 1/0273

* cited by examiner

Primary Examiner — Anhdao Doan

(74) *Attorney, Agent, or Firm* — McCoy Russell LLP

(57) **CLAIM**

The ornamental design for an incubator for microbiology, as shown and described.

DESCRIPTION

FIG. 1 is a front-right perspective view of an incubator for microbiology according to the present disclosure.

FIG. 2 is a front elevation view of the incubator for microbiology.

FIG. 3 is a rear elevation view of the incubator for microbiology.

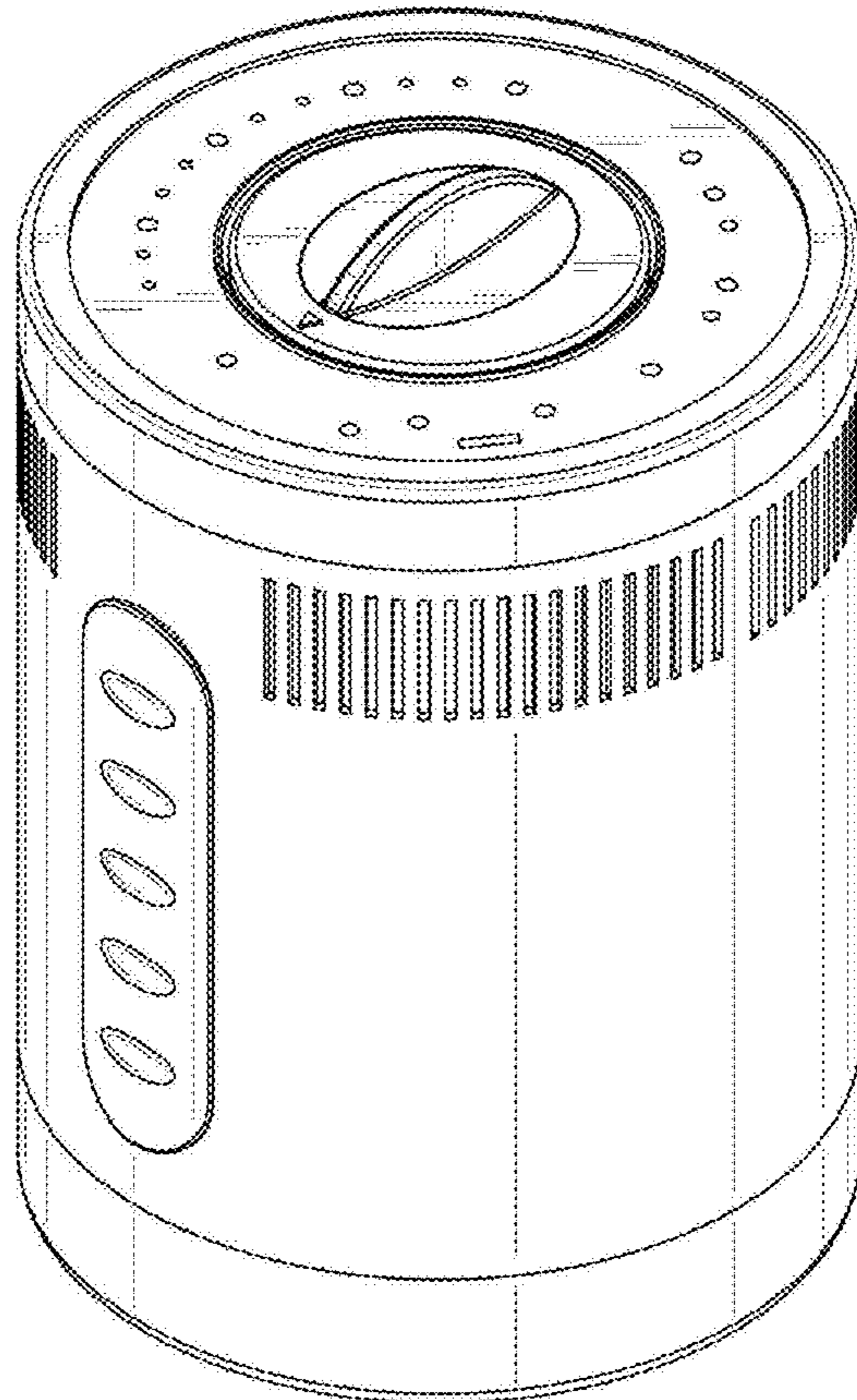
FIG. 4 is a left side elevation view of the incubator for microbiology.

FIG. 5 is a right side elevation view of the incubator for microbiology.

FIG. 6 is a top plan view of the incubator for microbiology; and,

FIG. 7 is a bottom plan view of the incubator for microbiology.

1 Claim, 7 Drawing Sheets



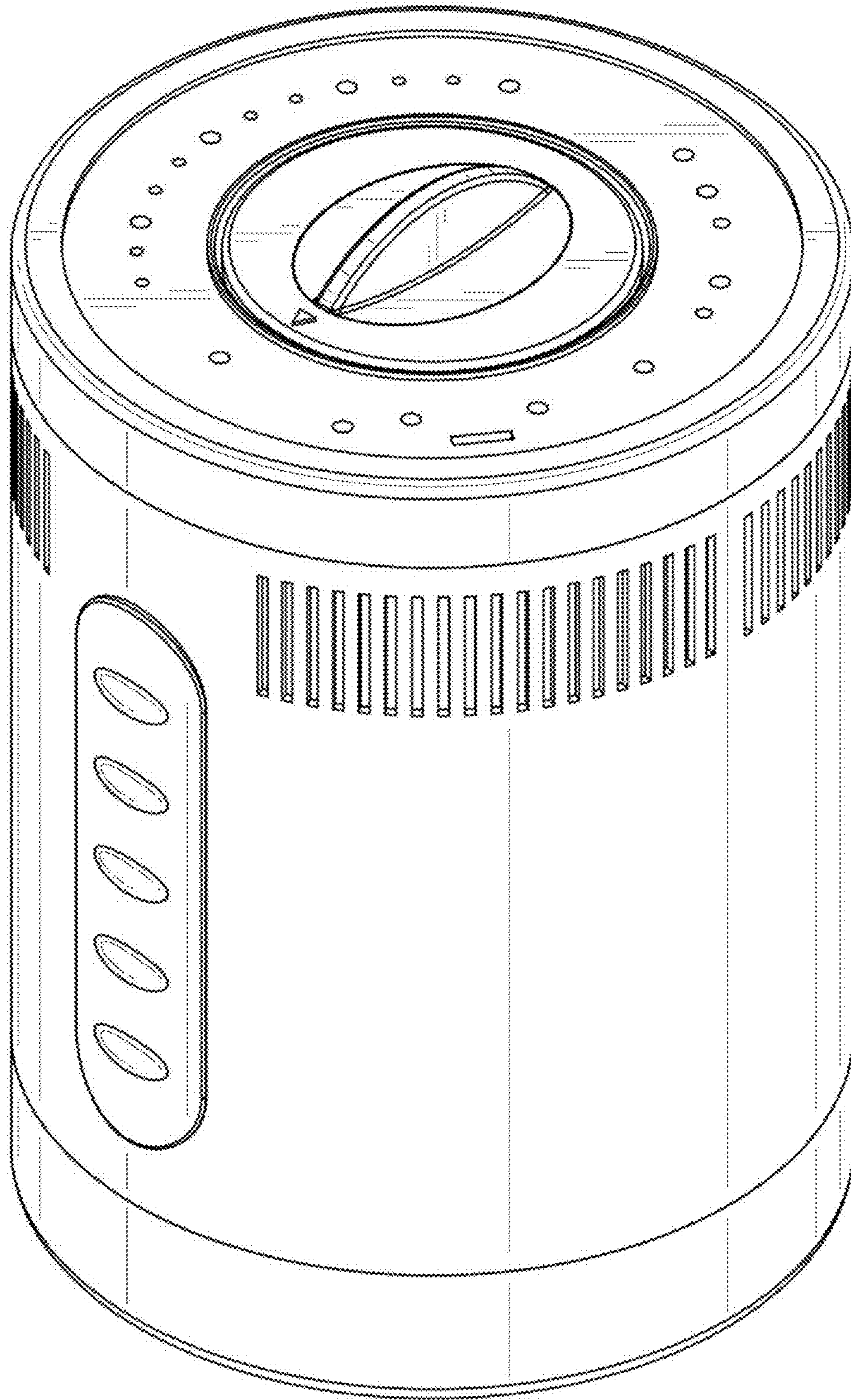


FIG. 1

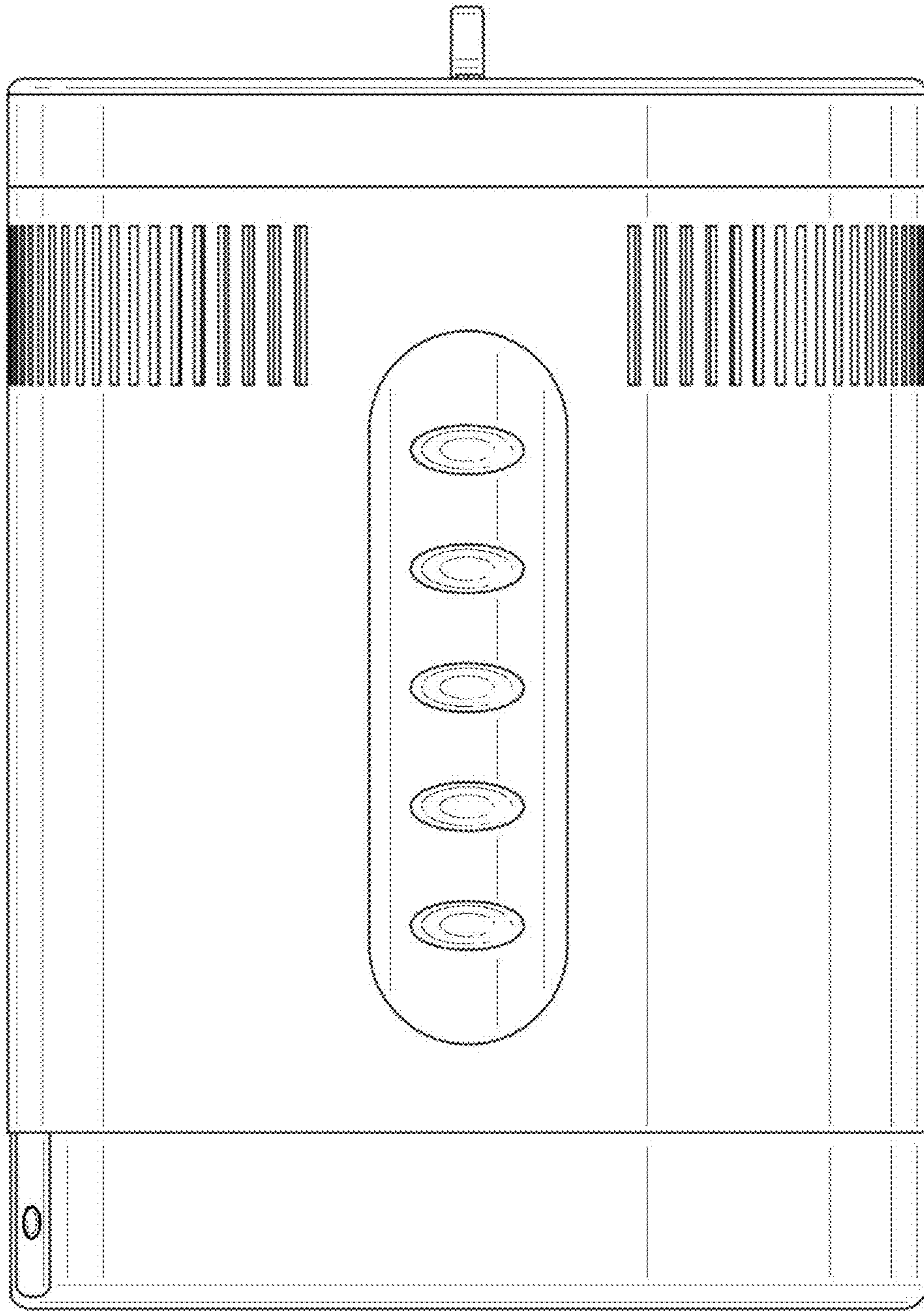


FIG. 2

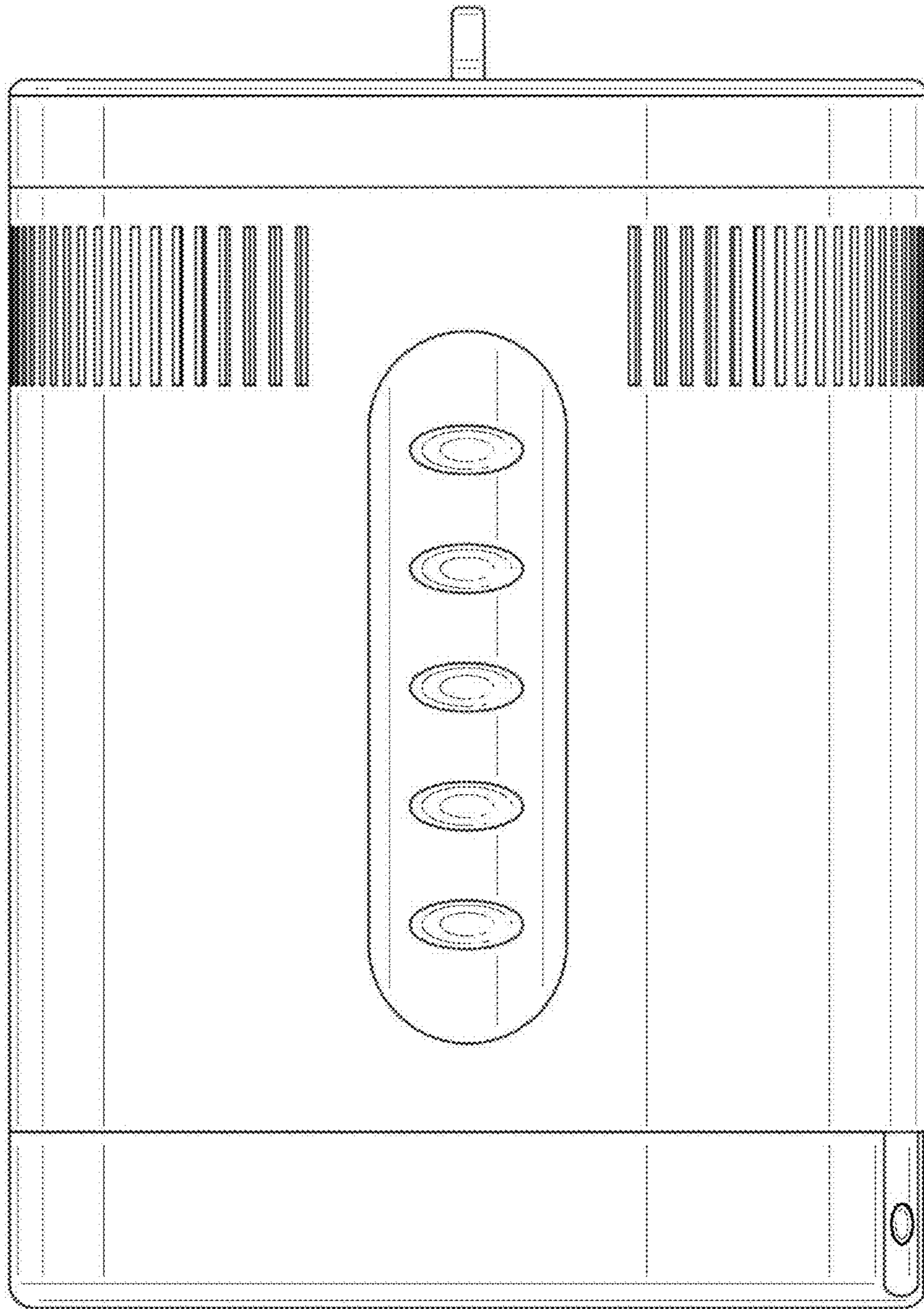


FIG. 3

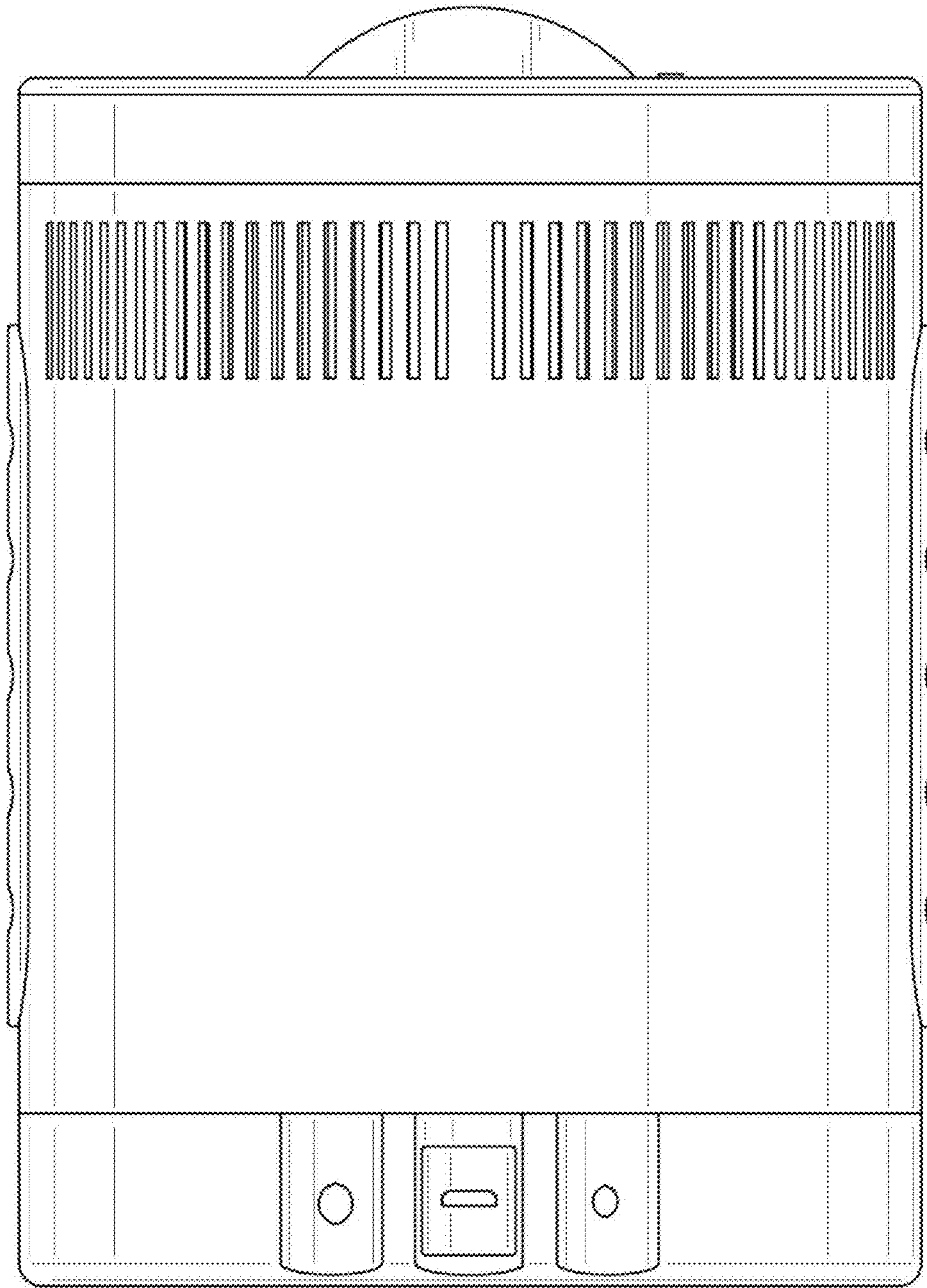


FIG. 4

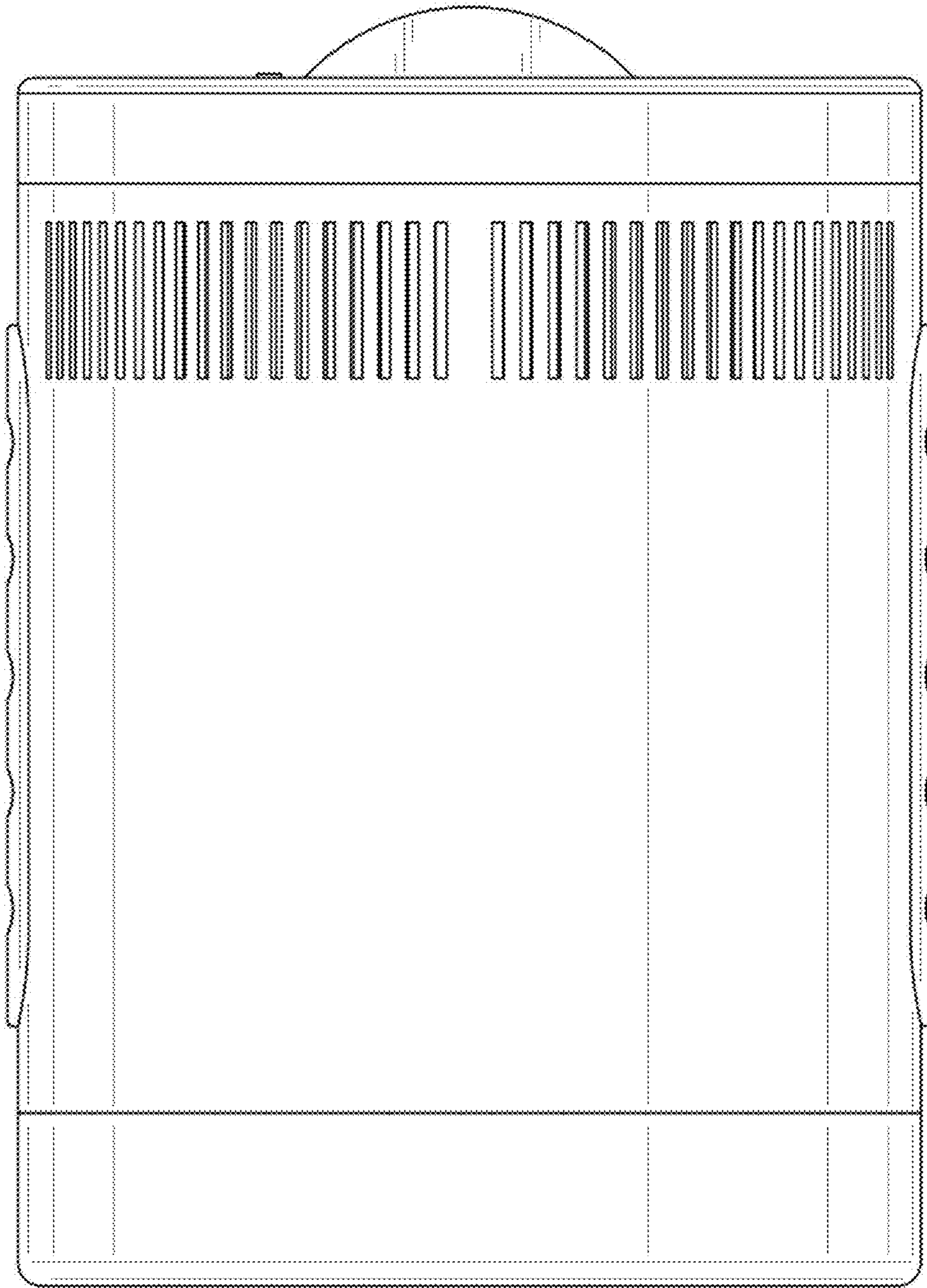


FIG. 5

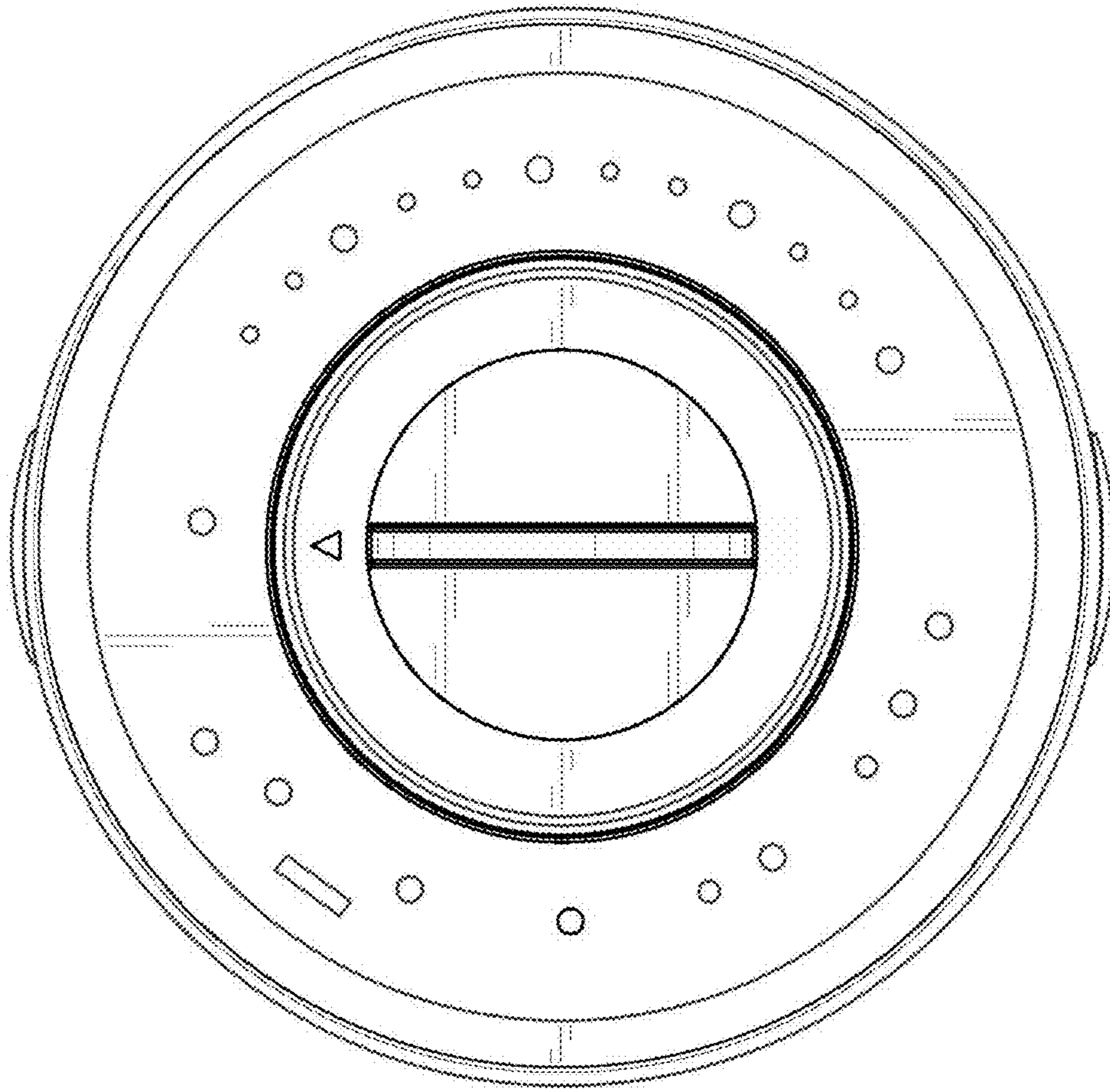


FIG. 6

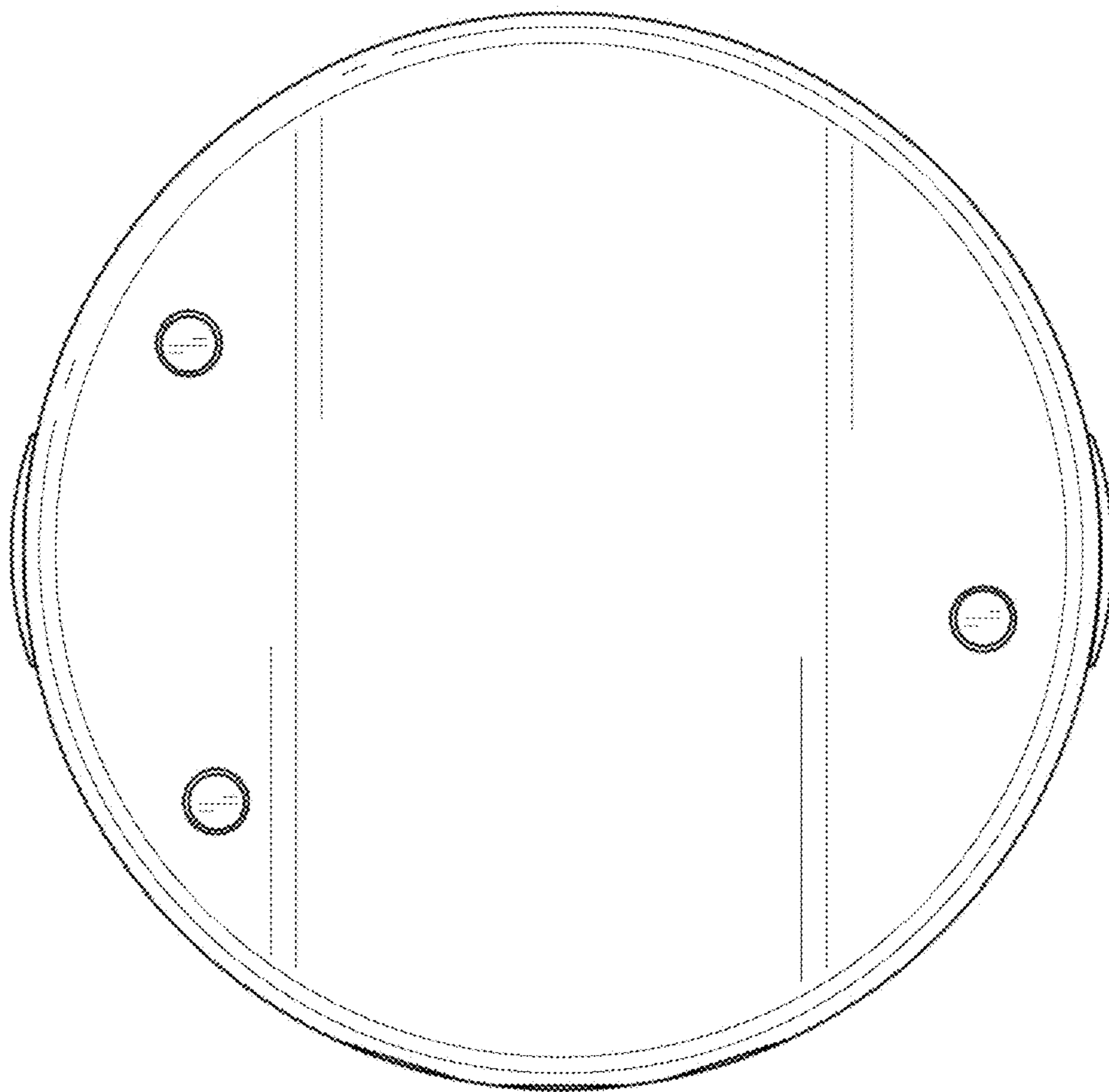


FIG. 7

UNITED STATES PATENT AND TRADEMARK OFFICE
CERTIFICATE OF CORRECTION

PATENT NO. : D882,093 S
APPLICATION NO. : 29/644062
DATED : April 21, 2020
INVENTOR(S) : Amy Penn

Page 1 of 1

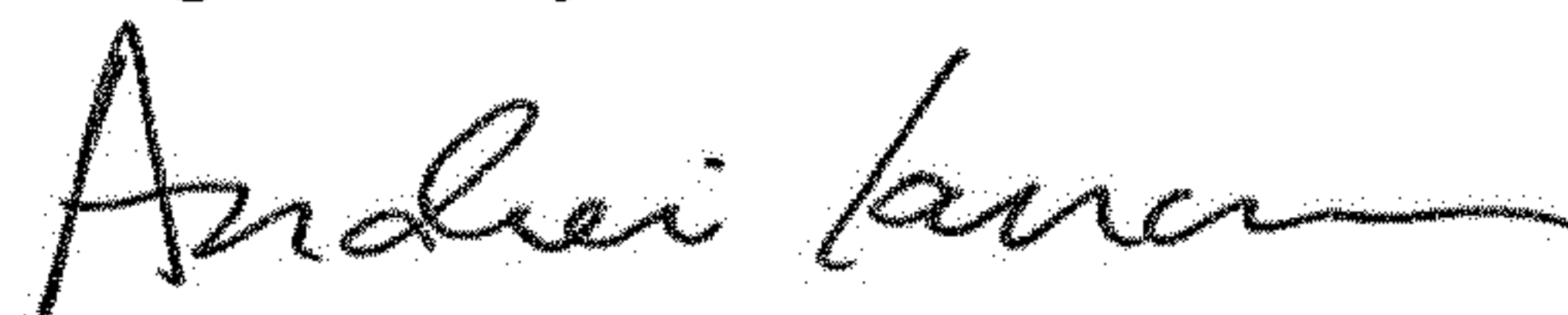
It is certified that error appears in the above-identified patent and that said Letters Patent is hereby corrected as shown below:

On the Title Page

Please insert:

--(30) Foreign Application Priority Data
Jan. 29, 2018 (EP) 004684603--

Signed and Sealed this
Eighth Day of December, 2020



Andrei Iancu
Director of the United States Patent and Trademark Office