



US00D882092S

(12) **United States Design Patent**
Rheineck et al.

(10) **Patent No.:** **US D882,092 S**

(45) **Date of Patent:** **** Apr. 21, 2020**

(54) **MRI HEAD COIL**

33/4806; A61B 33/4812; G03B 21/145;
G03B 21/30; G03B 21/54; G03B 21/585

(71) Applicant: **MR Instruments, Inc.**, Minneapolis,
MN (US)

See application file for complete search history.

(72) Inventors: **Thomas J Rheineck**, Chanhassen, MN
(US); **Mark Jensen**, Hopkins, MN
(US); **Robert Bushey**, Coon Rapids,
MN (US); **Michael Lancial**, Saint
Louis Park, MN (US); **Grant
Thompson**, Saint Paul, MN (US); **Leon
Ricord**, Waconia, MN (US); **Juan
Martinez**, Houlton, MN (US); **Brian
Fabian**, Shakopee, MN (US); **Khai
Tran**, Chanhassen, MN (US);
Lawrence Tanenbaum, Riverside, CT
(US)

(56) **References Cited**

U.S. PATENT DOCUMENTS

D320,660 S *	10/1991	Foreman	D24/158
D380,832 S *	7/1997	Isshiki	D24/158
D592,751 S *	5/2009	Ninomiya	D24/158
D683,024 S *	5/2013	Baba	D24/158
D806,660 S *	1/2018	Braswell, Jr.	D24/158

* cited by examiner

Primary Examiner — Anhdao Doan

(74) *Attorney, Agent, or Firm* — Skaar Ulbrich Macari,
P.A.

(73) Assignee: **MR Instruments, Inc.**, Minneapolis,
MN (US)

(57) **CLAIM**

We claim the ornamental design for a MRI head coil, as
shown and described.

(**) Term: **15 Years**

DESCRIPTION

(21) Appl. No.: **29/676,913**

FIG. 1 is a perspective view of a MRI head coil showing the
claimed design.

(22) Filed: **Jan. 15, 2019**

FIG. 2 is a front view of the MRI head coil of FIG. 1.

(51) **LOC (12) Cl.** **24-01**

FIG. 3 is a rear view of the MRI head coil of FIG. 1.

(52) **U.S. Cl.**
USPC **D24/158**

FIG. 4 is a first side view of the MRI head coil of FIG. 1.

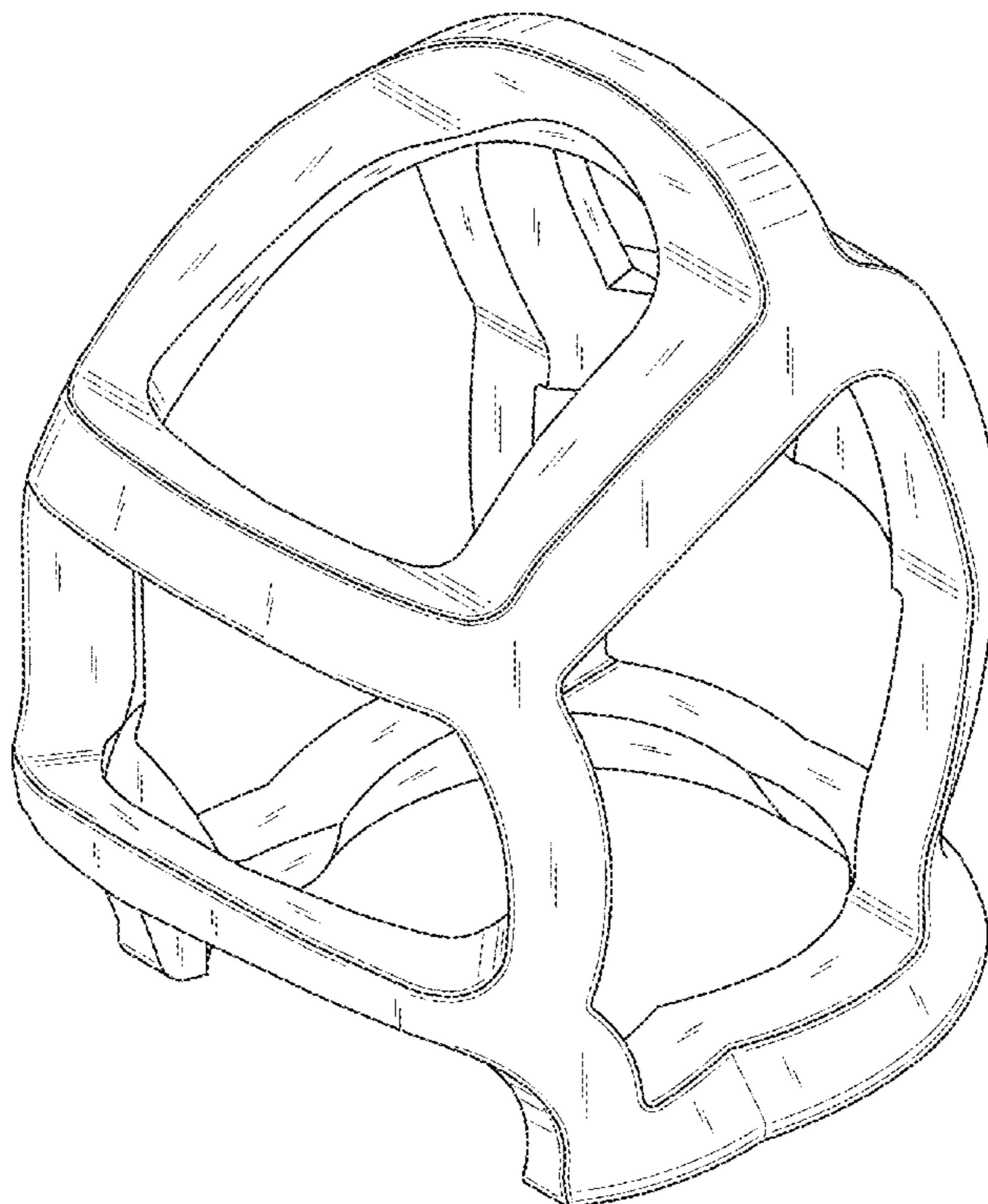
(58) **Field of Classification Search**

USPC D24/107, 158-161, 186
CPC A61B 5/0042; A61B 5/055; A61B 6/03;
A61B 6/035; A61B 33/283; A61B
33/34084; A61B 33/34069; A61B

FIG. 5 is a second side view of the MRI head coil of FIG.
1.

FIG. 6 is a top view of the MRI head coil of FIG. 1; and,
FIG. 7 is a bottom view of the MRI head coil of FIG. 1.

1 Claim, 7 Drawing Sheets



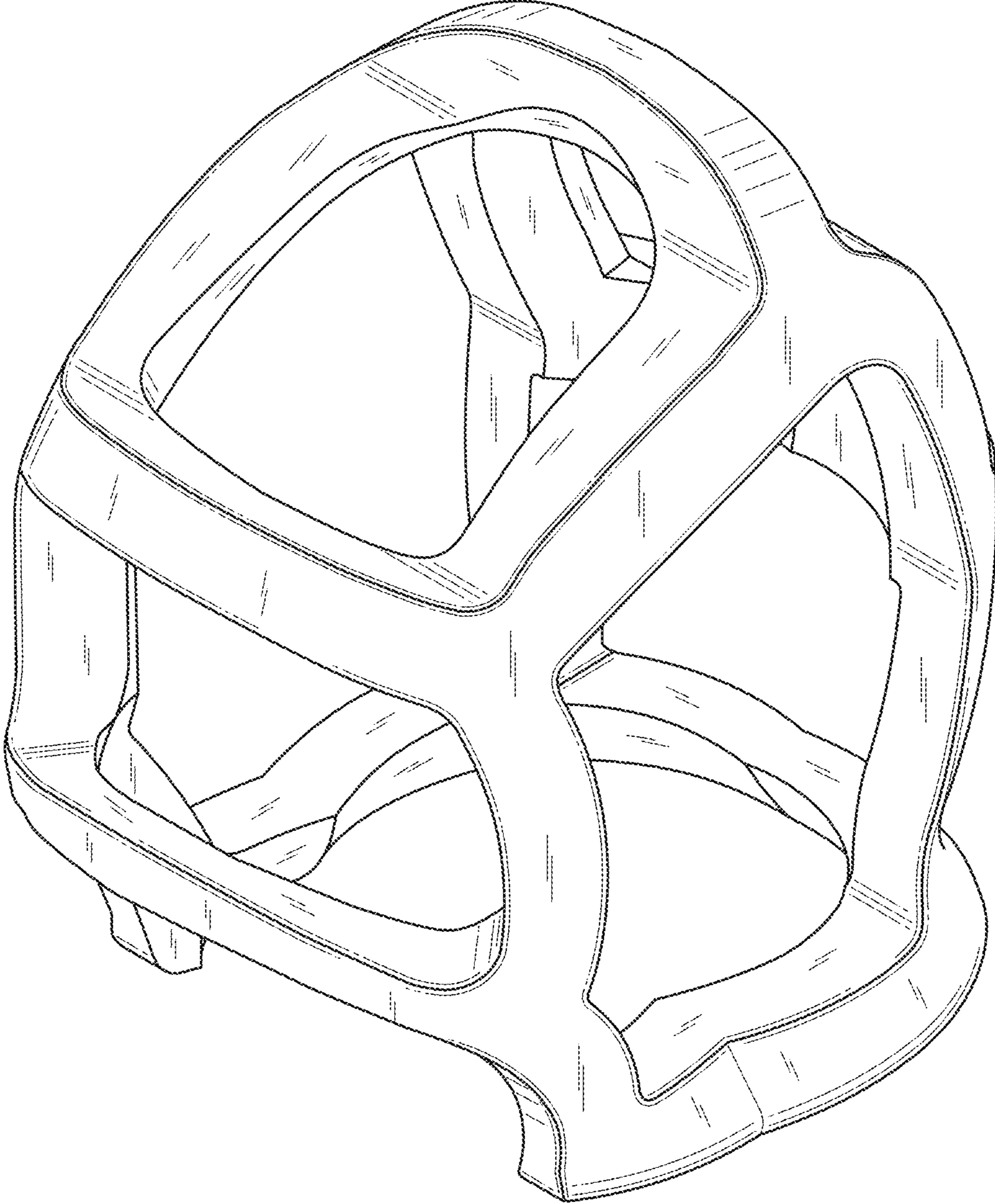


FIG. 1

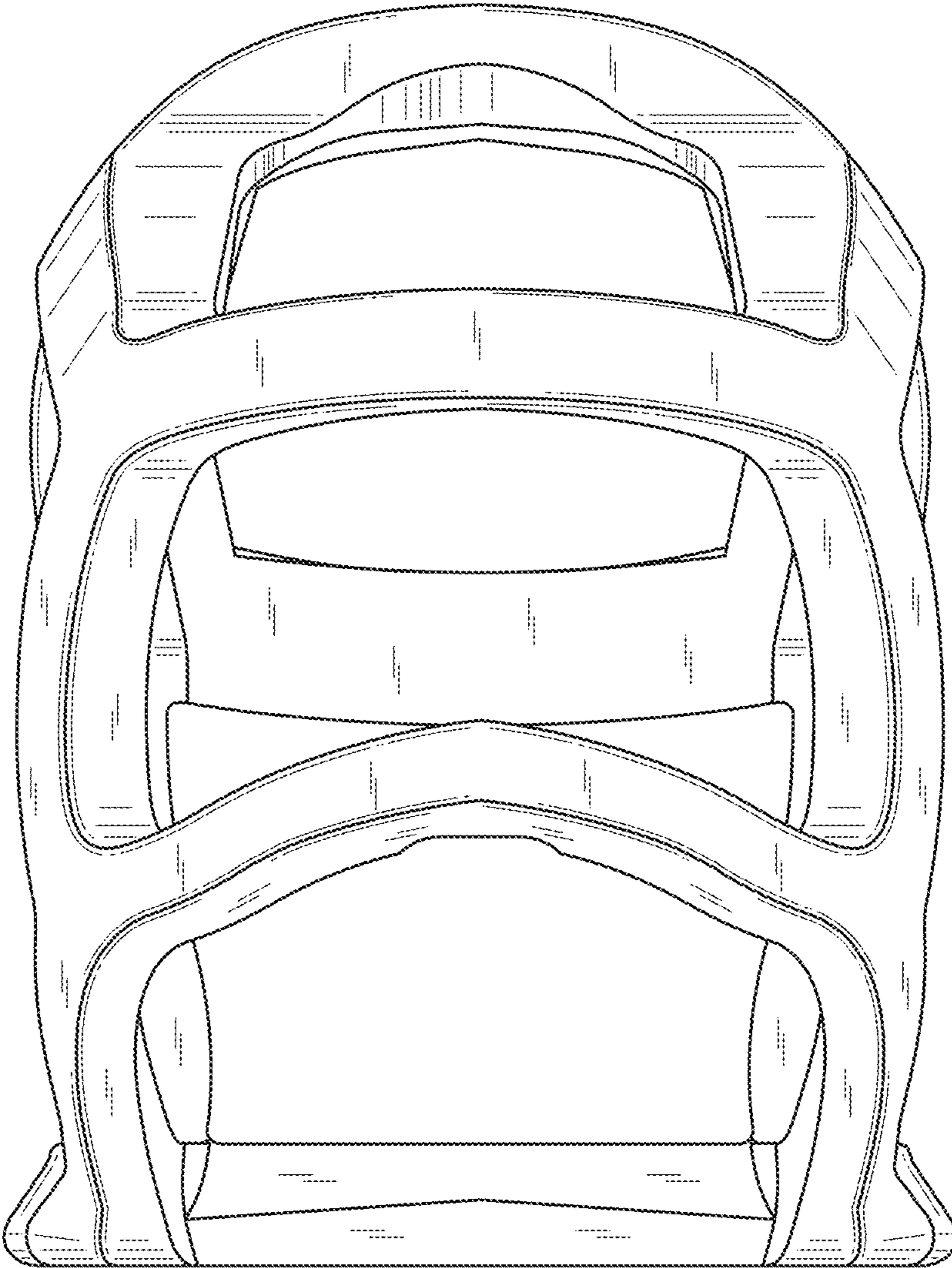


FIG. 2

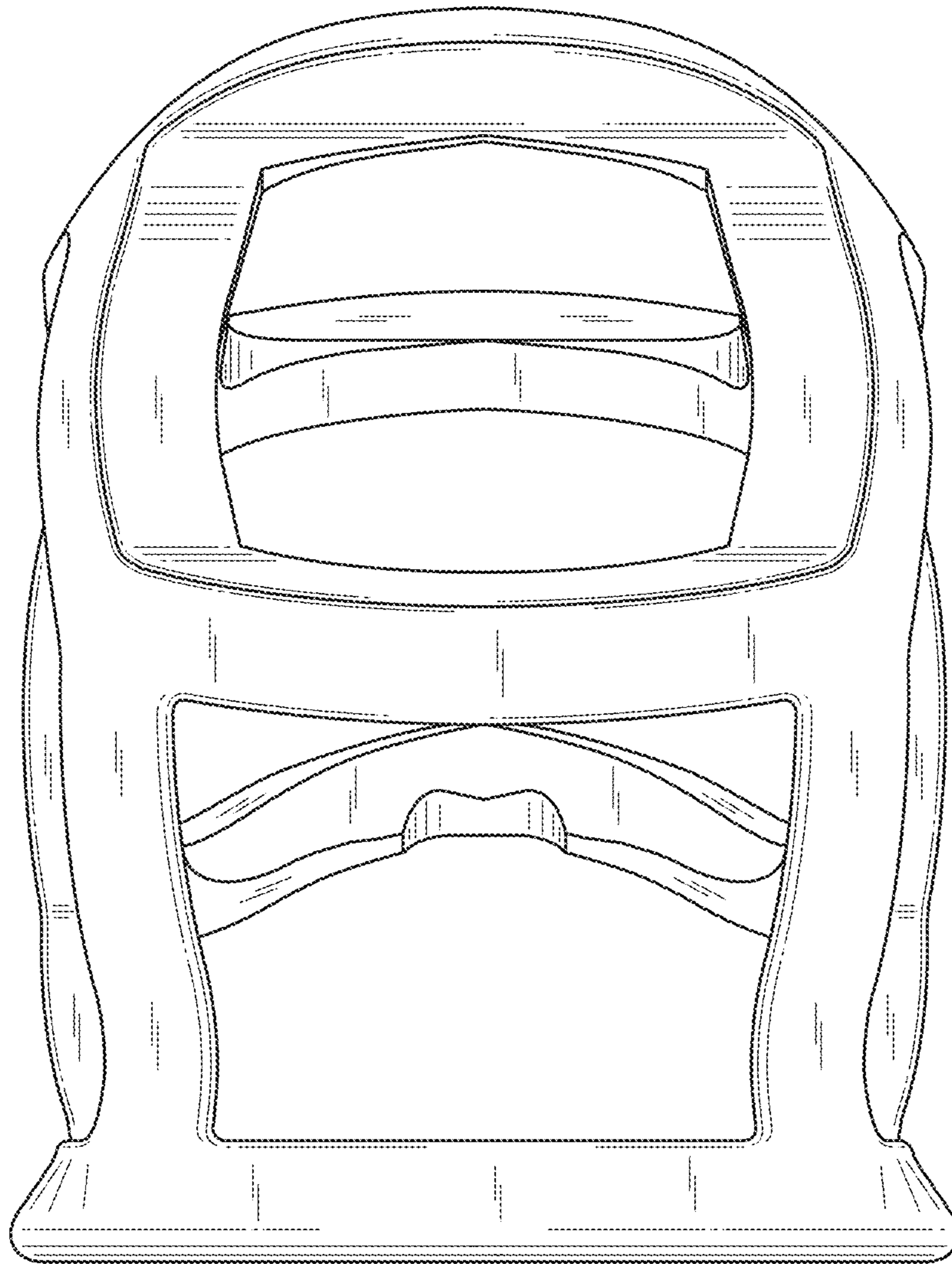


FIG. 3

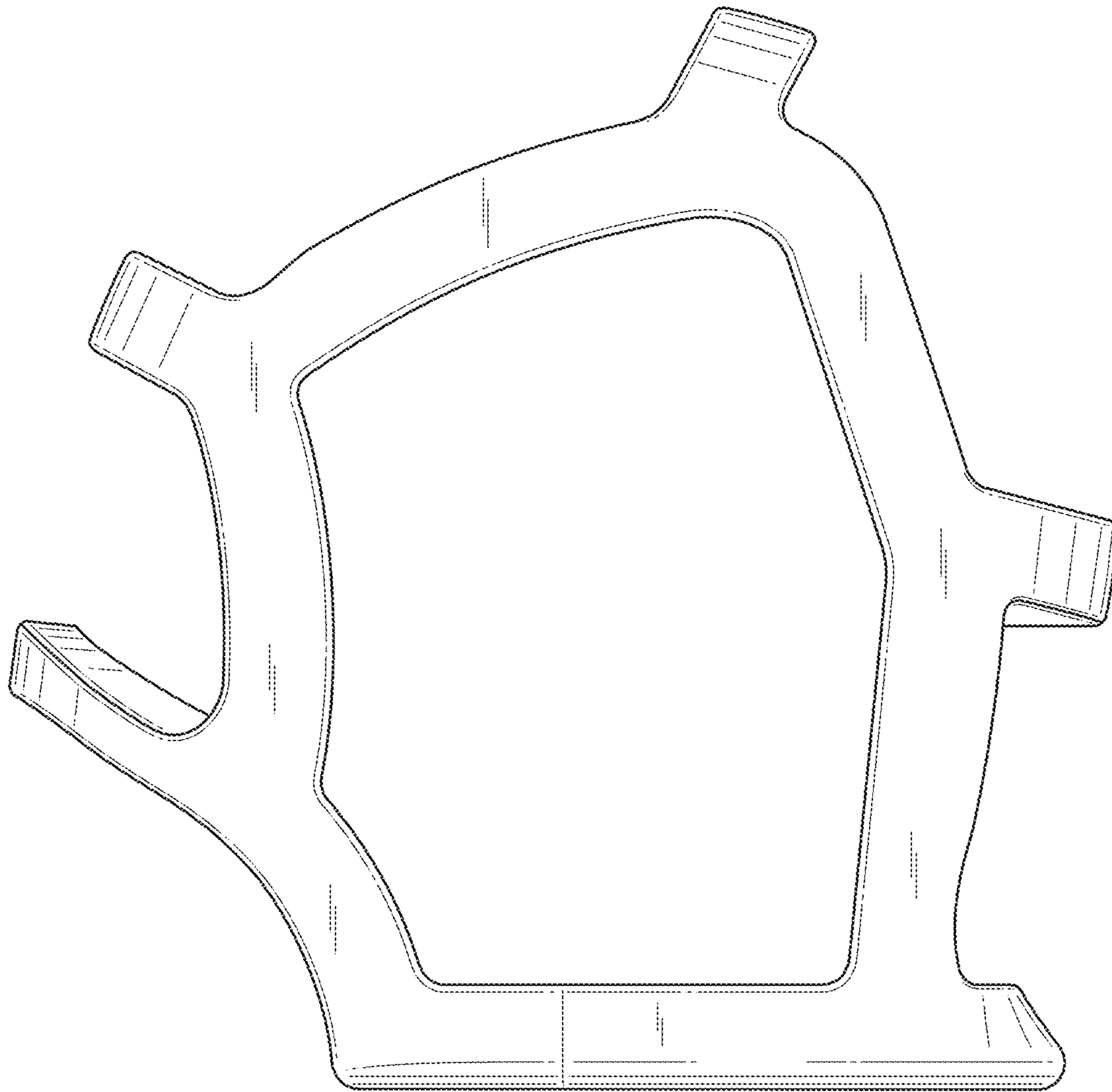


FIG. 4

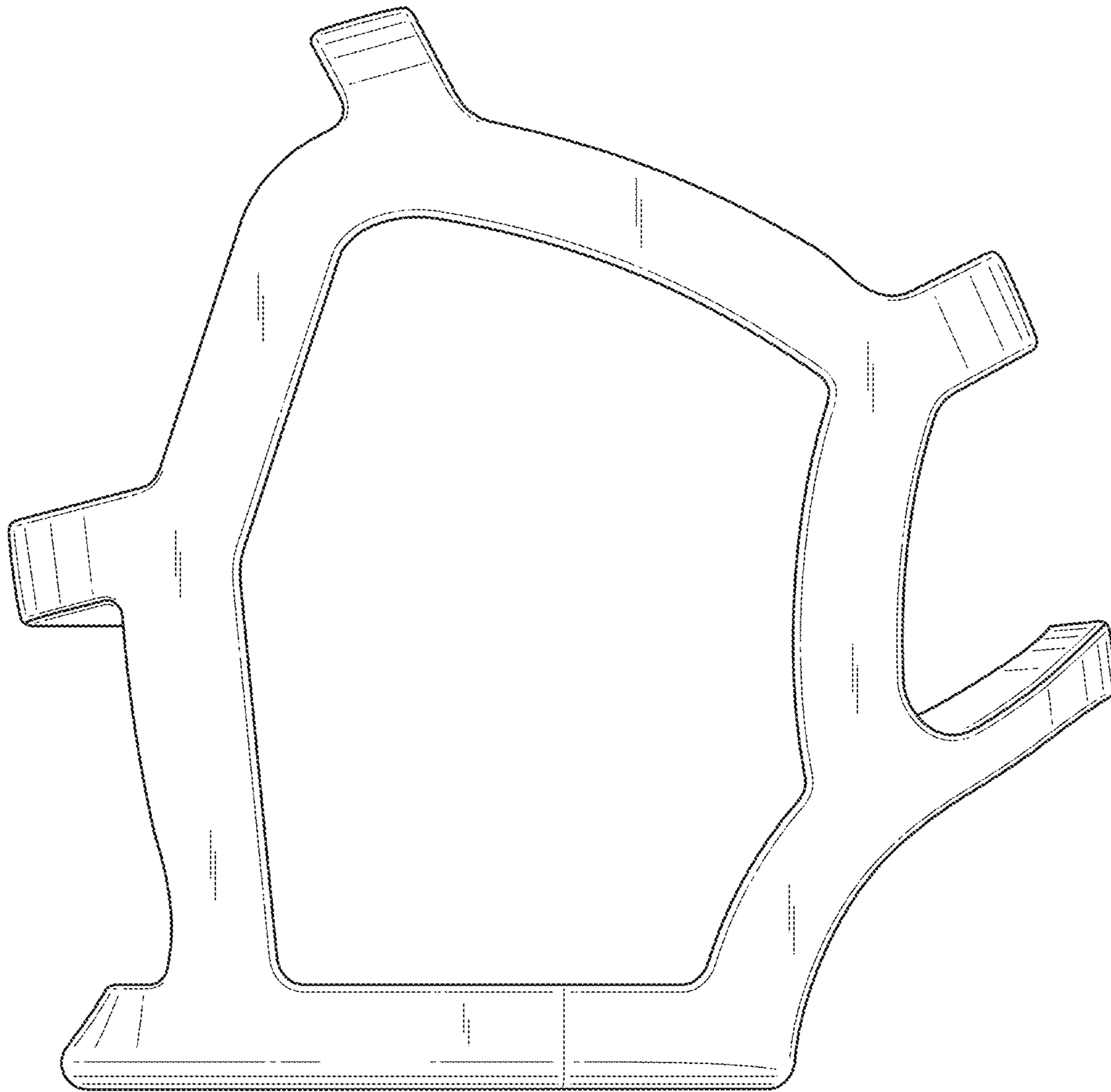


FIG. 5

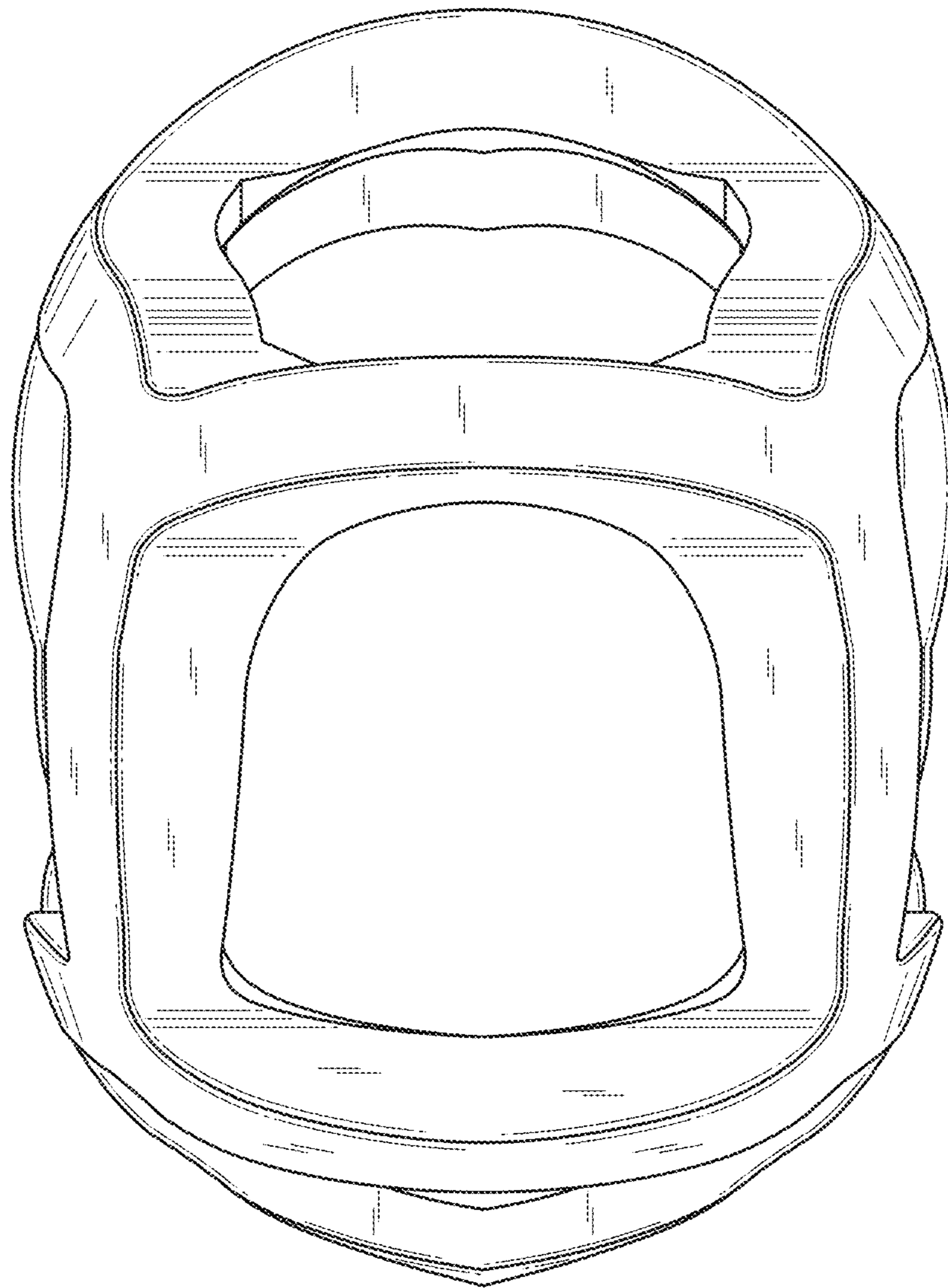


FIG. 6

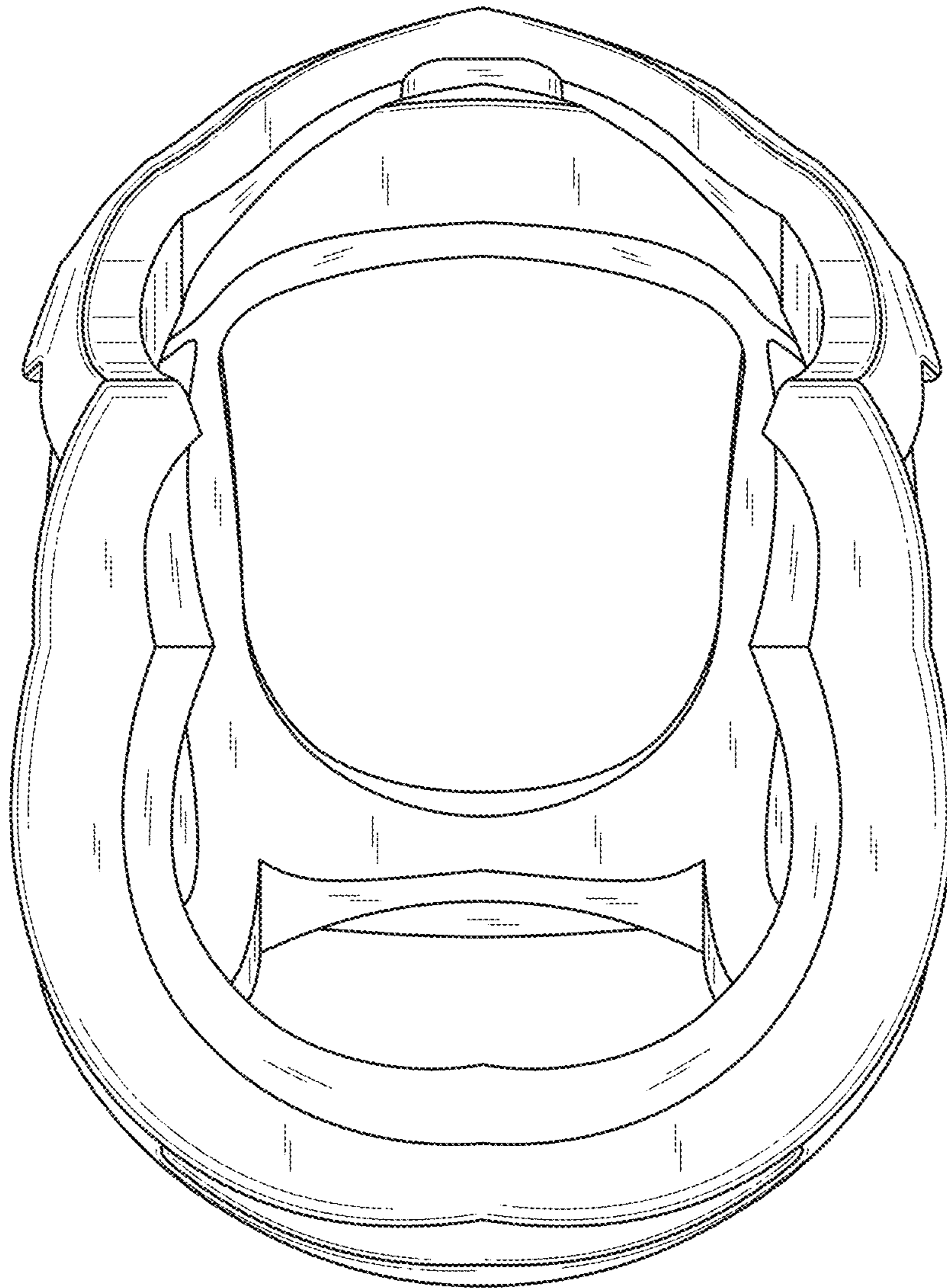


FIG. 7