



US00D882091S

(12) **United States Design Patent** (10) **Patent No.:** **US D882,091 S**
Ishii (45) **Date of Patent:** **** Apr. 21, 2020**

(54) **X-RAY GENERATING APPARATUS**

(71) Applicant: **HAMAMATSU PHOTONICS K.K.**,
Hamamatsu-shi, Shizuoka (JP)

(72) Inventor: **Atsushi Ishii**, Hamamatsu (JP)

(73) Assignee: **HAMAMATSU PHOTONICS K.K.**,
Hamamatsu-shi, Shizuoka (JP)

(**) Term: **15 Years**

(21) Appl. No.: **29/665,954**

(22) Filed: **Oct. 9, 2018**

(30) **Foreign Application Priority Data**

Apr. 12, 2018 (JP) 2018-008118
Apr. 12, 2018 (JP) 2018-008121
Apr. 12, 2018 (JP) 2018-008122

(51) **LOC (12) Cl.** **24-01**

(52) **U.S. Cl.**
USPC **D24/158**

(58) **Field of Classification Search**
USPC D24/107, 158-161, 185, 186, 231
CPC A61B 6/08; A61B 6/4405; A61B 6/4411;
A61B 6/467; A61B 6/542; H01J 35/02;
H05G 1/06; G21K 1/04
See application file for complete search history.

(56) **References Cited**

U.S. PATENT DOCUMENTS

D371,197 S * 6/1996 Golden D24/158
D603,965 S * 11/2009 Verma D24/158
7,773,726 B2 * 8/2010 Inazuru H01J 35/08
378/119
D628,296 S * 11/2010 Hoshino D24/158

D676,554 S * 2/2013 Moon D24/158
D703,323 S * 4/2014 Hayman D24/158
D726,921 S * 4/2015 Ishihara D24/158
2005/0190884 A1 * 9/2005 Suzuki H05G 1/06
378/101
2005/0190886 A1 * 9/2005 Yoshiyama H05G 1/06
378/123
2009/0238340 A1 * 9/2009 Okada H01J 35/08
378/140

FOREIGN PATENT DOCUMENTS

TW 484164 B 4/2002
TW 580721 B 3/2004

* cited by examiner

Primary Examiner — Anhdao Doan

(74) *Attorney, Agent, or Firm* — Faegre Drinker Biddle & Reath LLP

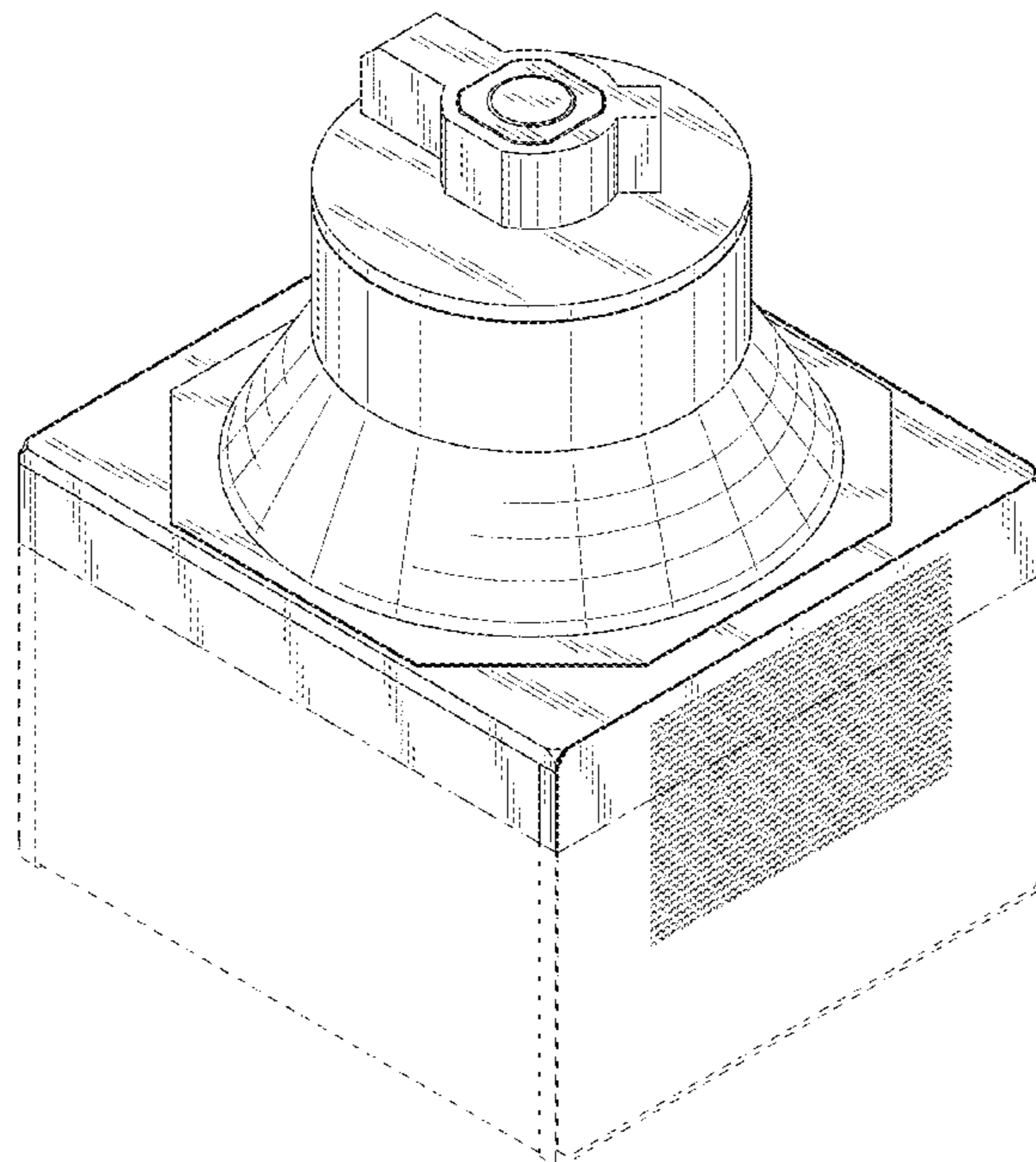
(57) **CLAIM**

The ornamental design for an X-ray generating apparatus, as shown and described.

DESCRIPTION

FIG. 1 is a front view of an X-ray generating apparatus of the present invention;
FIG. 2 is a rear view thereof;
FIG. 3 is a top plan view thereof;
FIG. 4 is a bottom plan view thereof;
FIG. 5 is a right side view thereof;
FIG. 6 is a left side view thereof;
FIG. 7 is a perspective view thereof; and,
FIG. 8 is an enlarged view showing a portion of FIG. 5 defined by lines 8-8 and 8'-8'.
The features shown in evenly-dashed broken lines depict environmental subject matter only and form no part of the claimed design. The dot-dash broken lines in the drawings represent the bounds of the claimed subject matter, the dot-dash broken lines, themselves forming no part thereof.

1 Claim, 8 Drawing Sheets



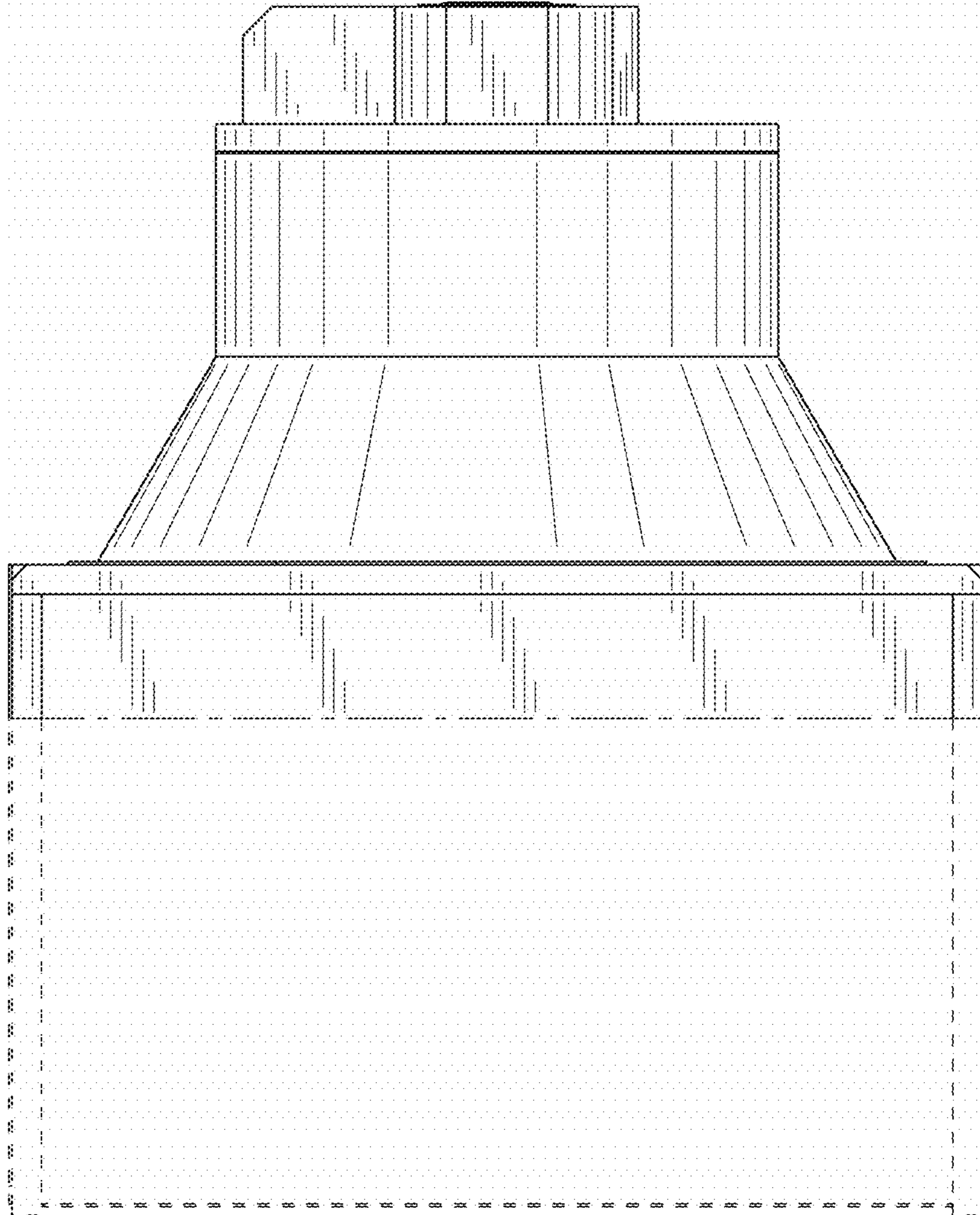


FIG. 1

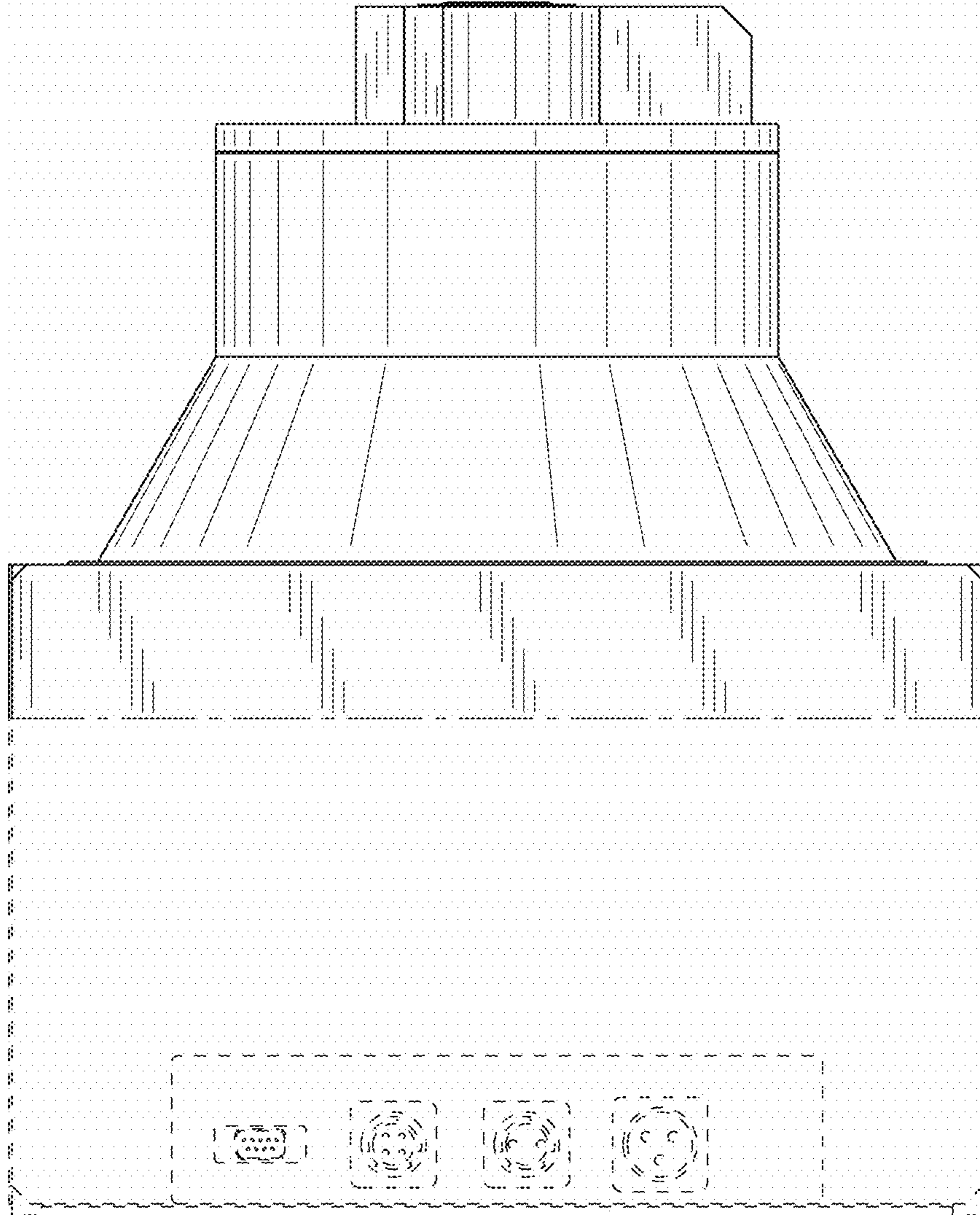


FIG. 2

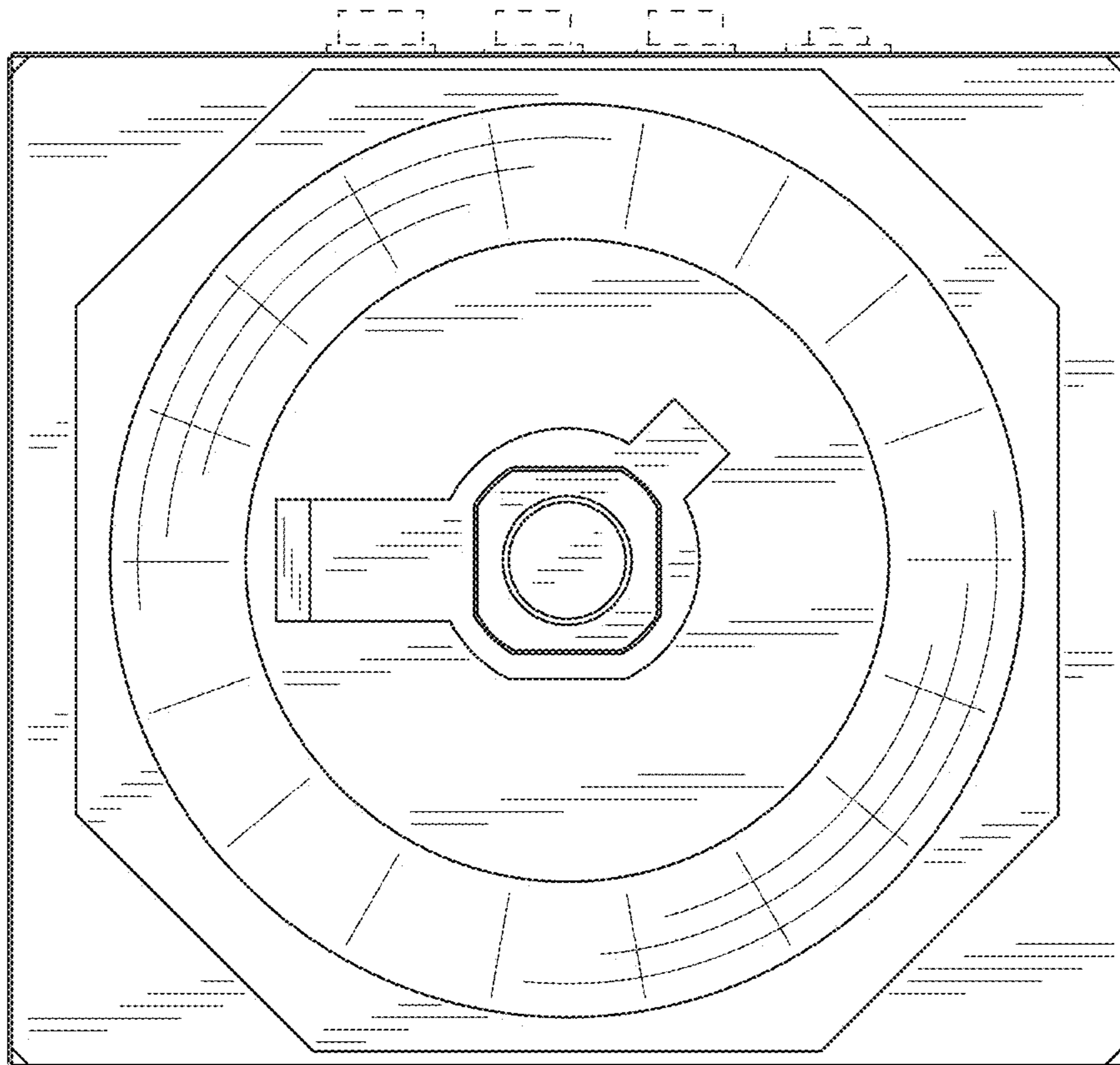


FIG. 3

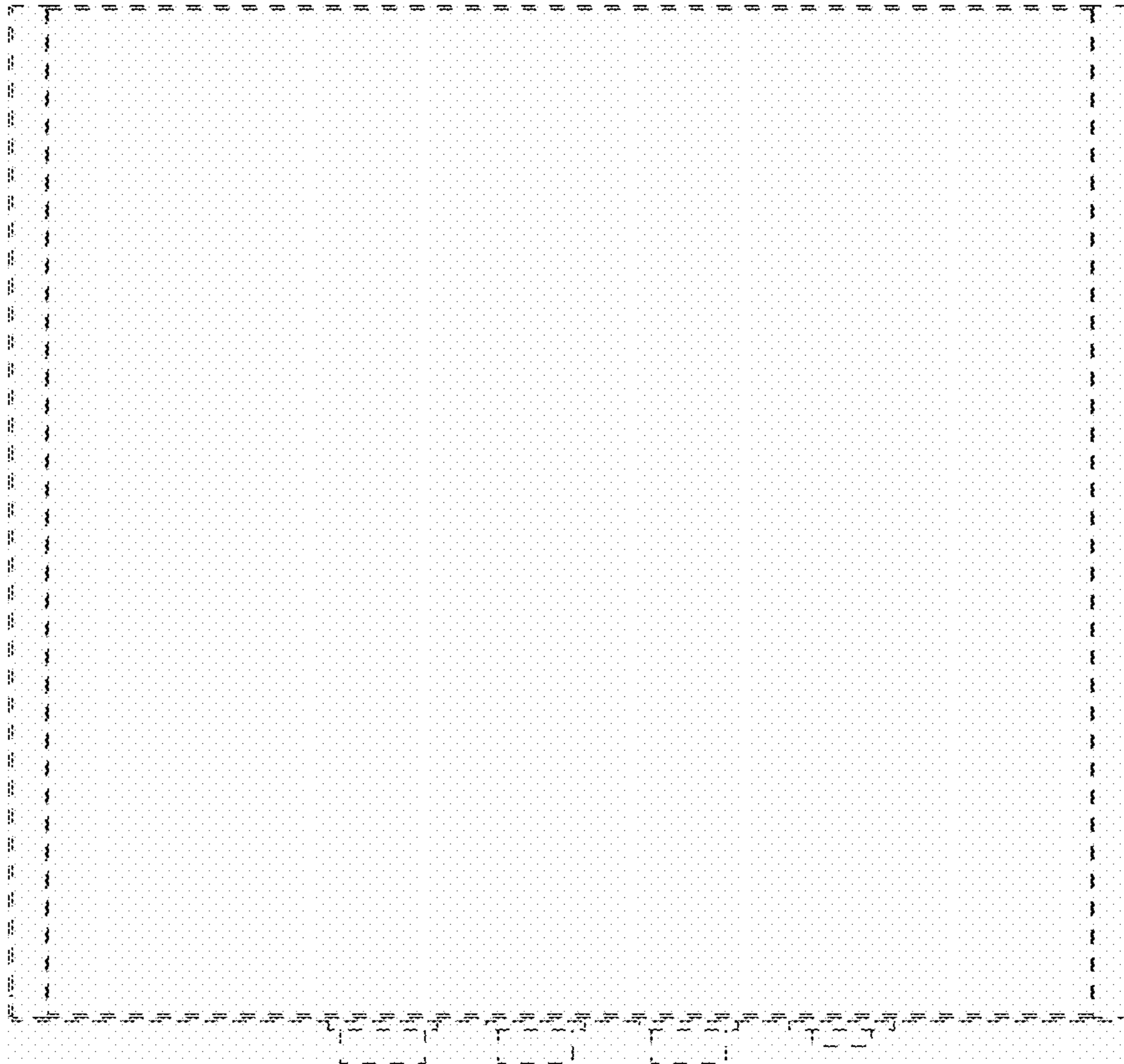


FIG. 4

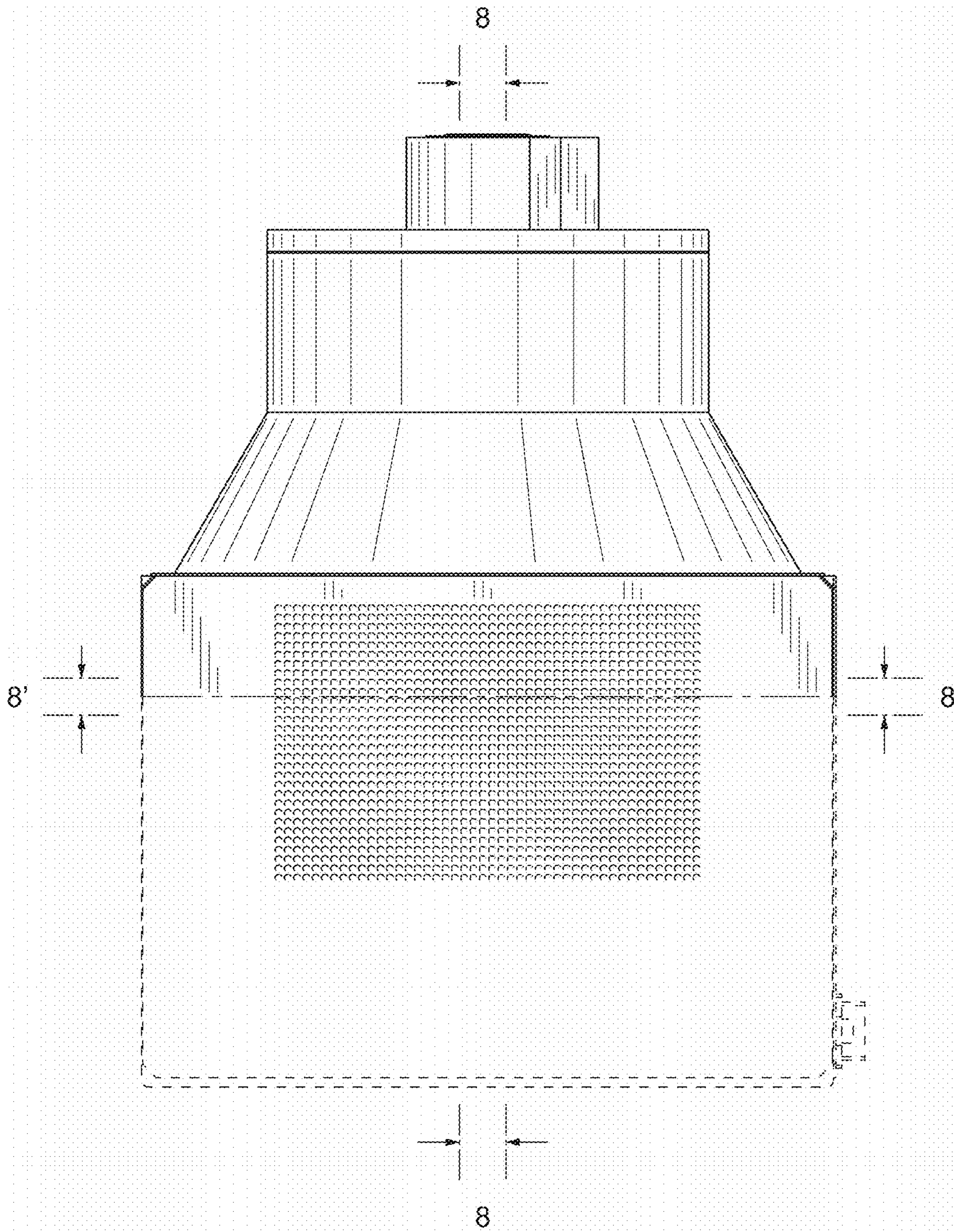


FIG. 5

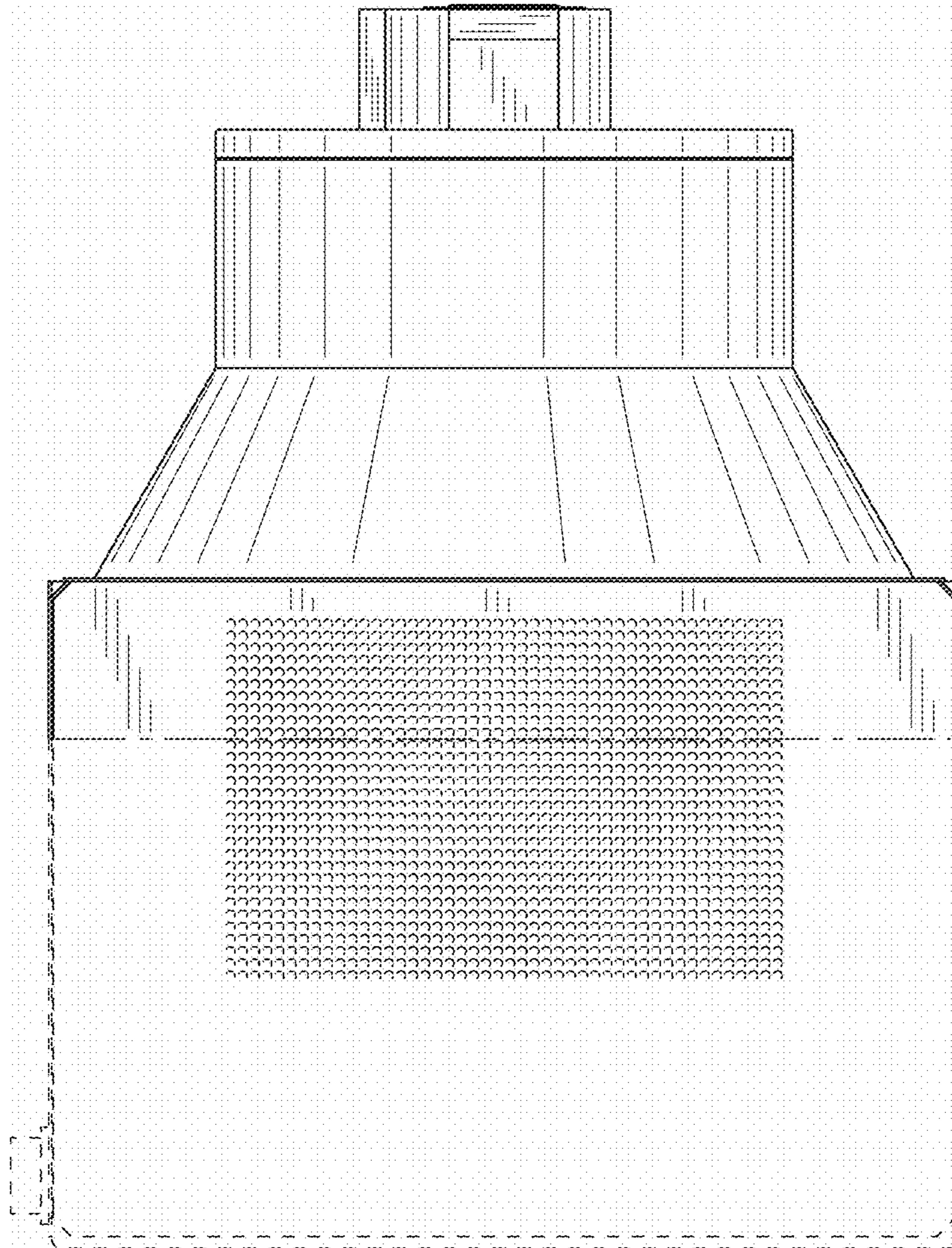


FIG. 6

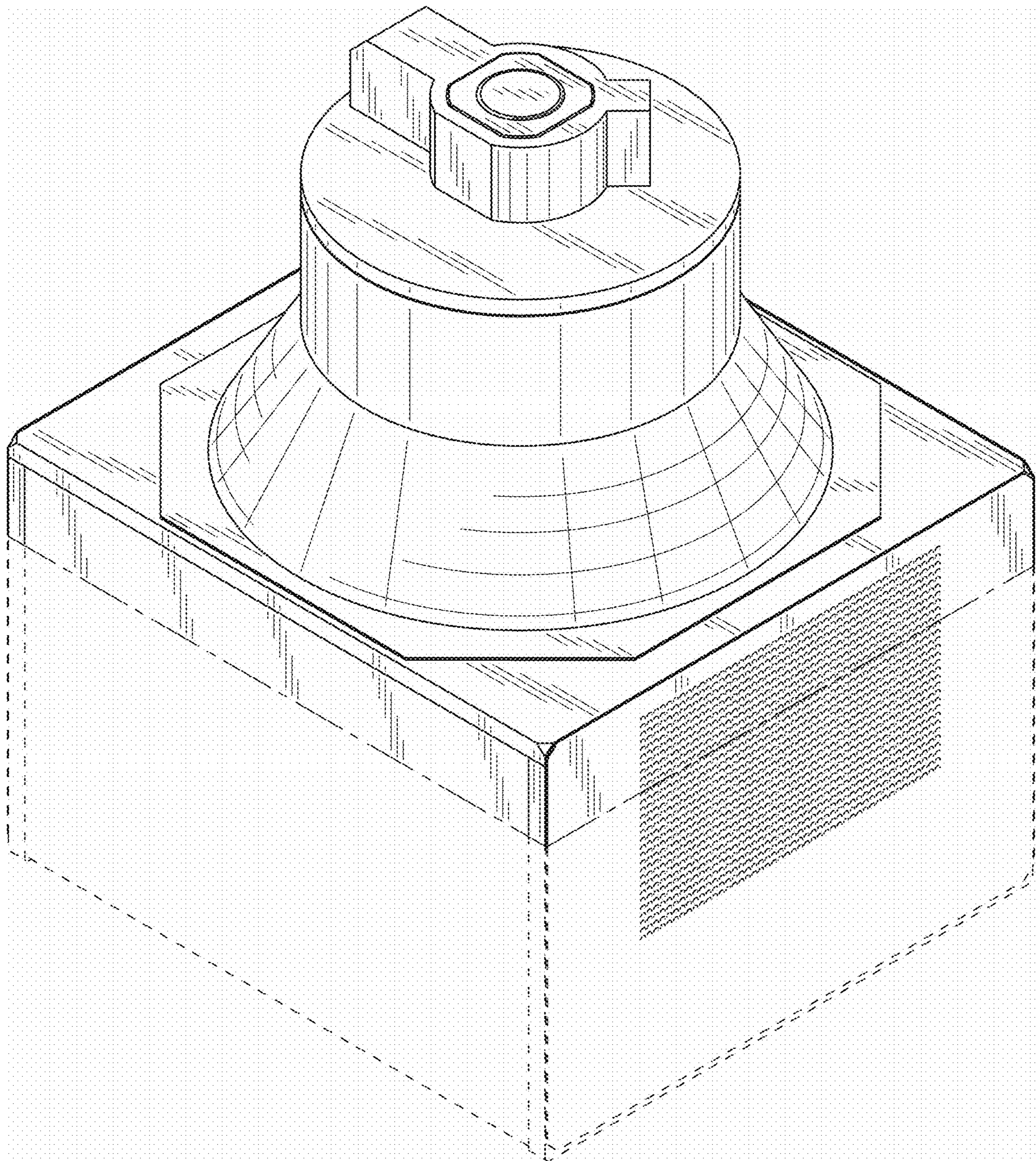


FIG. 7

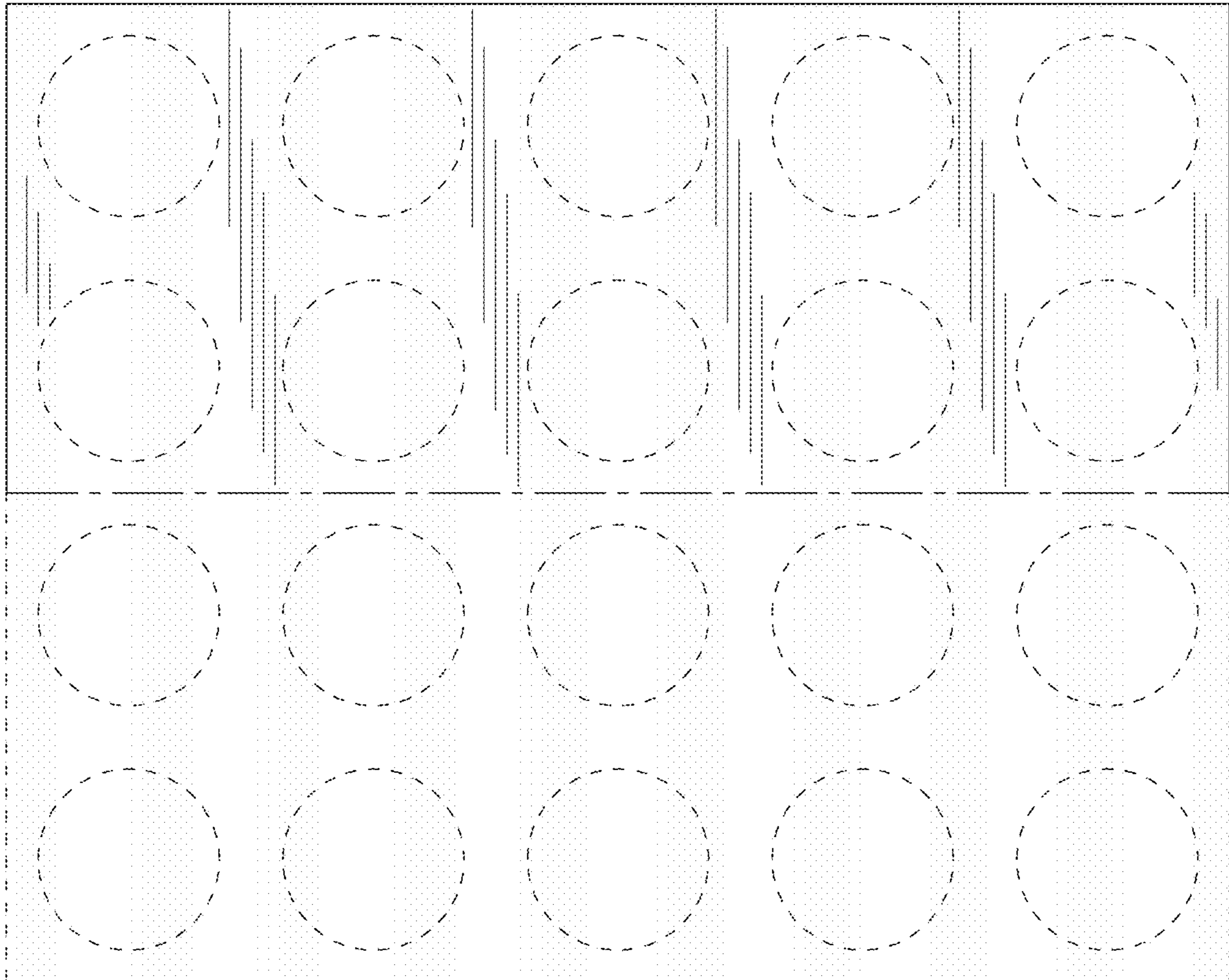


FIG. 8