



US00D882089S

(12) **United States Design Patent**
DaCosta et al.

(10) **Patent No.:** **US D882,089 S**
(45) **Date of Patent:** **** Apr. 21, 2020**

- (54) **HOOK PLATE**
- (71) Applicant: **Paragon 28, Inc.**, Englewood, CO (US)
- (72) Inventors: **Albert DaCosta**, Lone Tree, CO (US);
Thomas G. Harris, Altadena, CA (US);
Patrick Yoon, Minneapolis, MN (US);
Spanky Raymond, Uniontown, OH (US);
Frank Barmes, Littleton, CO (US)
- (73) Assignee: **Paragon 28, Inc.**, Englewood, CO (US)
- (**) Term: **15 Years**

6,338,734 B1 * 1/2002 Burke A61B 17/74
606/280

D458,684 S 6/2002 Bryant
D463,559 S 9/2002 Bryant
D469,533 S 1/2003 Bryant
D469,874 S 2/2003 Bryant
D469,875 S 2/2003 Bryant
D480,141 S 9/2003 Benirschke

(Continued)

Primary Examiner — Charles D Hanson
(74) *Attorney, Agent, or Firm* — Heslin Rothenberg
Farley & Mesiti P.C.

- (21) Appl. No.: **29/680,190**
- (22) Filed: **Feb. 14, 2019**

Related U.S. Application Data

- (63) Continuation of application No. 29/596,471, filed on Mar. 8, 2017, now Pat. No. Des. 841,166.

- (51) **LOC (12) Cl.** **24-03**
- (52) **U.S. Cl.**
USPC **D24/155**

- (58) **Field of Classification Search**
USPC D24/155–157
CPC A61B 17/8061; A61B 17/7059; A61B 17/8052; A61B 17/8605; A61B 17/8085; A61B 17/809; A61B 17/8014; A61B 17/8004; A61B 17/8033; A61B 17/888; A61B 17/842; A61B 17/8023; A61B 17/8009; A61B 17/86; A61B 17/1739; A61B 17/8066; A61B 17/1671; A61B 17/1757; A61B 17/8071; A61B 17/176; A61B 2017/1782; A61B 2017/1775
See application file for complete search history.

- (56) **References Cited**

U.S. PATENT DOCUMENTS

- 3,824,995 A * 7/1974 Getscher A61B 17/74
606/281
- D443,060 S 5/2001 Benirschke

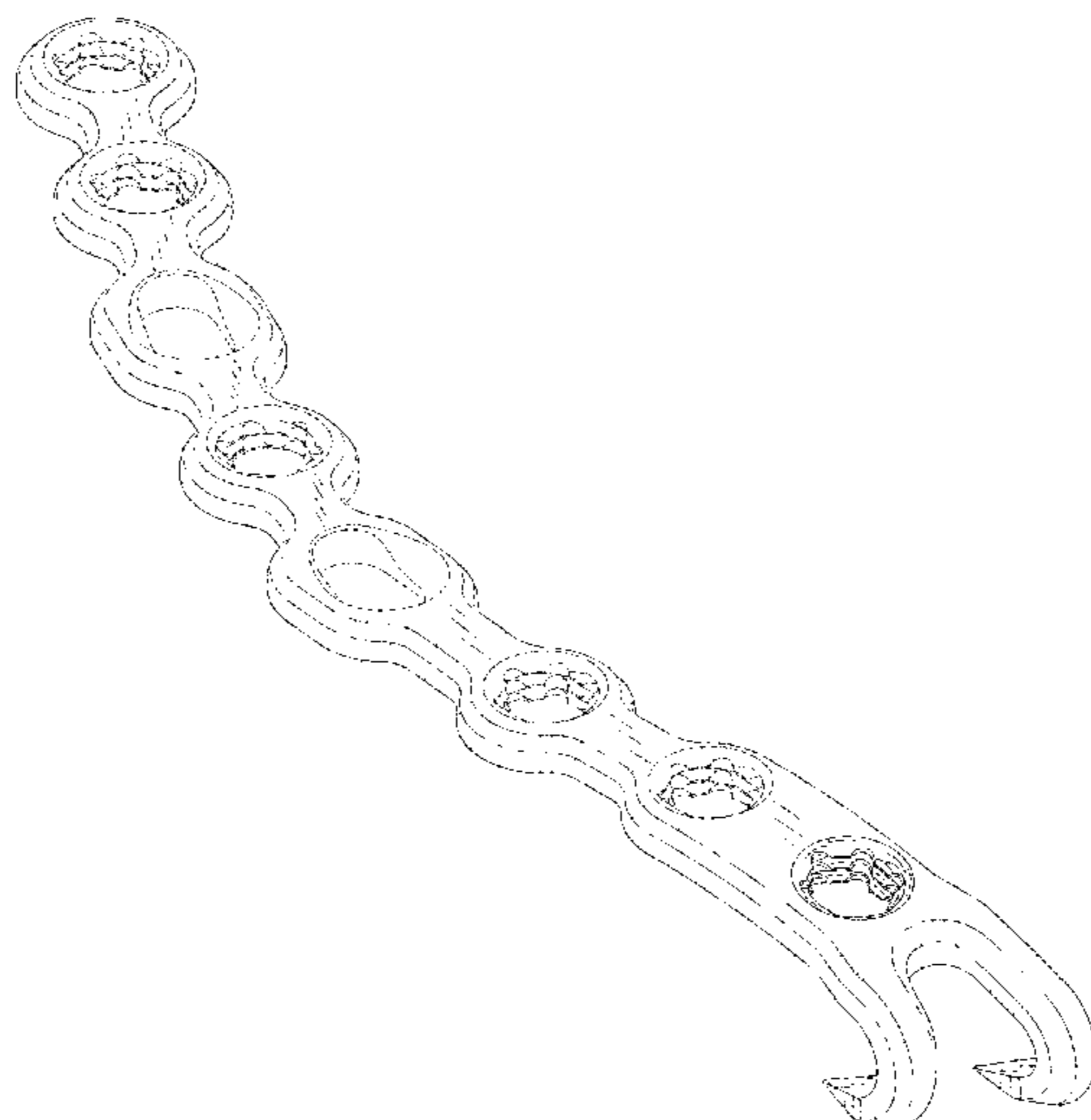
(57) **CLAIM**

The ornamental design for a hook plate, as shown and described.

DESCRIPTION

FIG. 1 is a front perspective view of a hook plate comprising the new design;
FIG. 2 is a bottom perspective view of the design of FIG. 1;
FIG. 3 is a top view of the design of FIG. 1;
FIG. 4 is a bottom view of the design of FIG. 1;
FIG. 5 is a right side elevational view of the design of FIG. 1;
FIG. 6 is a left side elevational view of the design of FIG. 1;
FIG. 7 is a front elevational view of the design of FIG. 1; and,
FIG. 8 is a back elevational view of the design of FIG. 1. The broken lines shown in the figures are directed to the environment and are for illustrative purposes only; the broken lines form no part of the claimed hook plate invention.
The relatively light intermittently broken surface shading depicts contour, not surface decoration.

1 Claim, 6 Drawing Sheets



(56)

References Cited

U.S. PATENT DOCUMENTS

7,229,444	B2 *	6/2007	Boyd	A61B 17/809 606/300
D587,370	S *	2/2009	Coillard-Lavirotte	D24/155
D596,294	S *	7/2009	Coillard-Lavirotte	D24/155
7,655,029	B2	2/2010	Niederberger	
D622,853	S	8/2010	Raven, III	
7,846,189	B2	12/2010	Winqvist	
D630,750	S	1/2011	Graham	
8,556,946	B2 *	10/2013	Prandi	A61B 17/809 606/286
8,740,905	B2	6/2014	Price	
D847,343	S *	4/2019	DaCosta	D24/155
2005/0171544	A1 *	8/2005	Falkner, Jr.	A61B 17/1728 606/281
2008/0114360	A1 *	5/2008	Da Frota Carrera ..	A61B 17/80 606/280
2012/0271359	A1 *	10/2012	Stevenson	A61B 17/7071 606/281
2013/0041375	A1 *	2/2013	Fierlbeck	A61B 17/8061 606/71
2013/0053899	A1 *	2/2013	Bluechel	A61B 17/8061 606/281
2018/0064547	A1 *	3/2018	Greiwe	A61F 2/4014

* cited by examiner

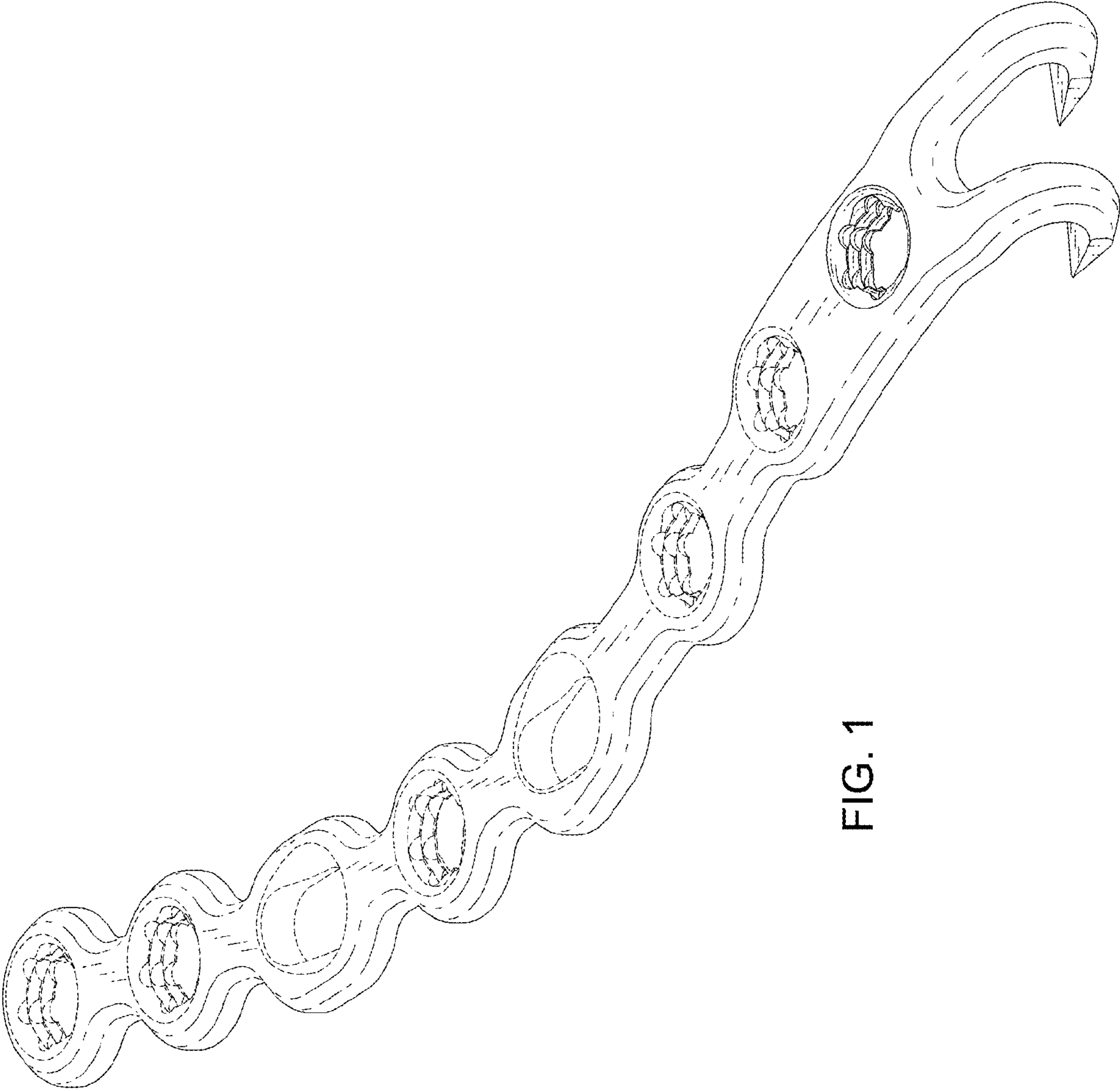


FIG. 1

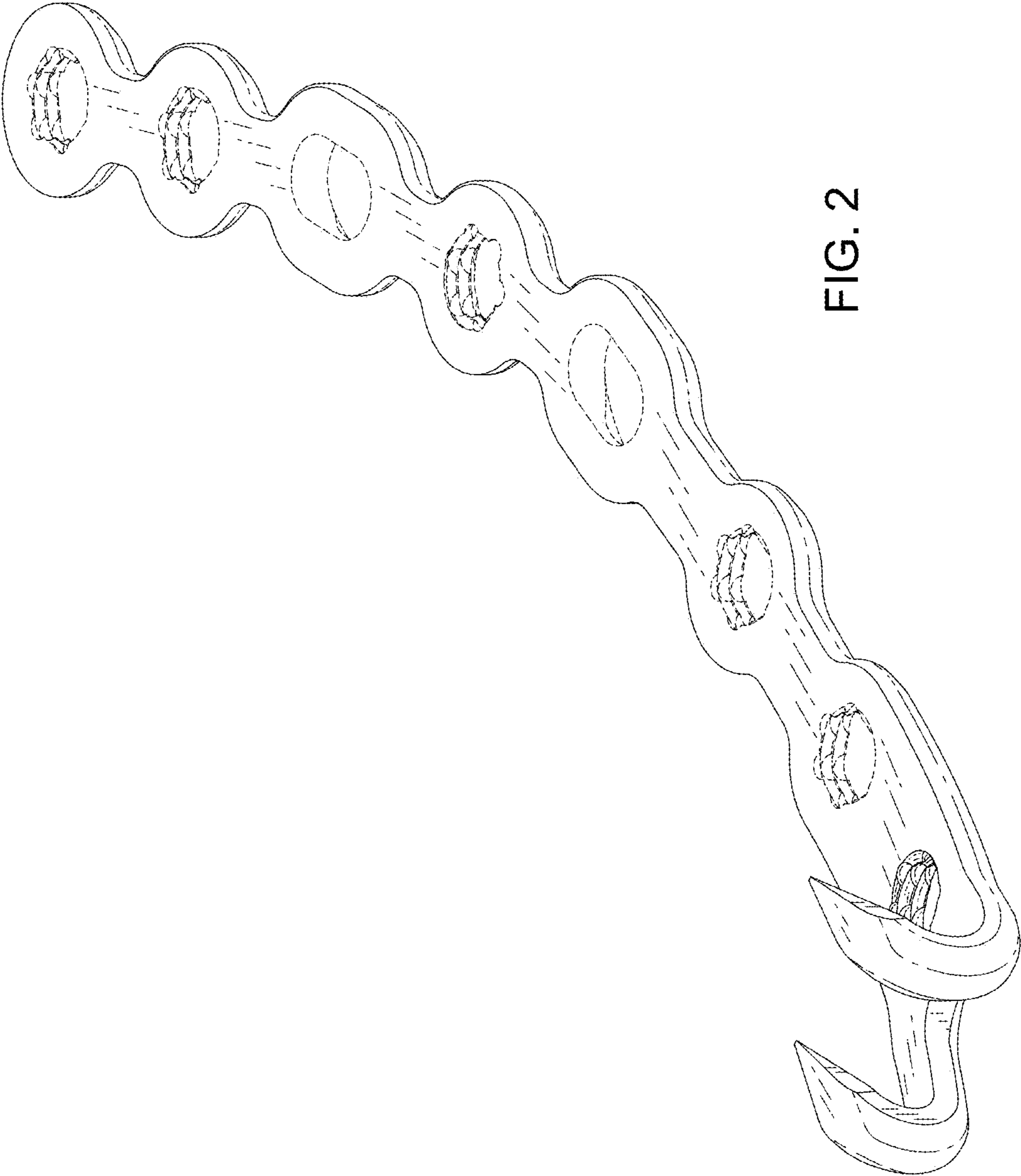


FIG. 2

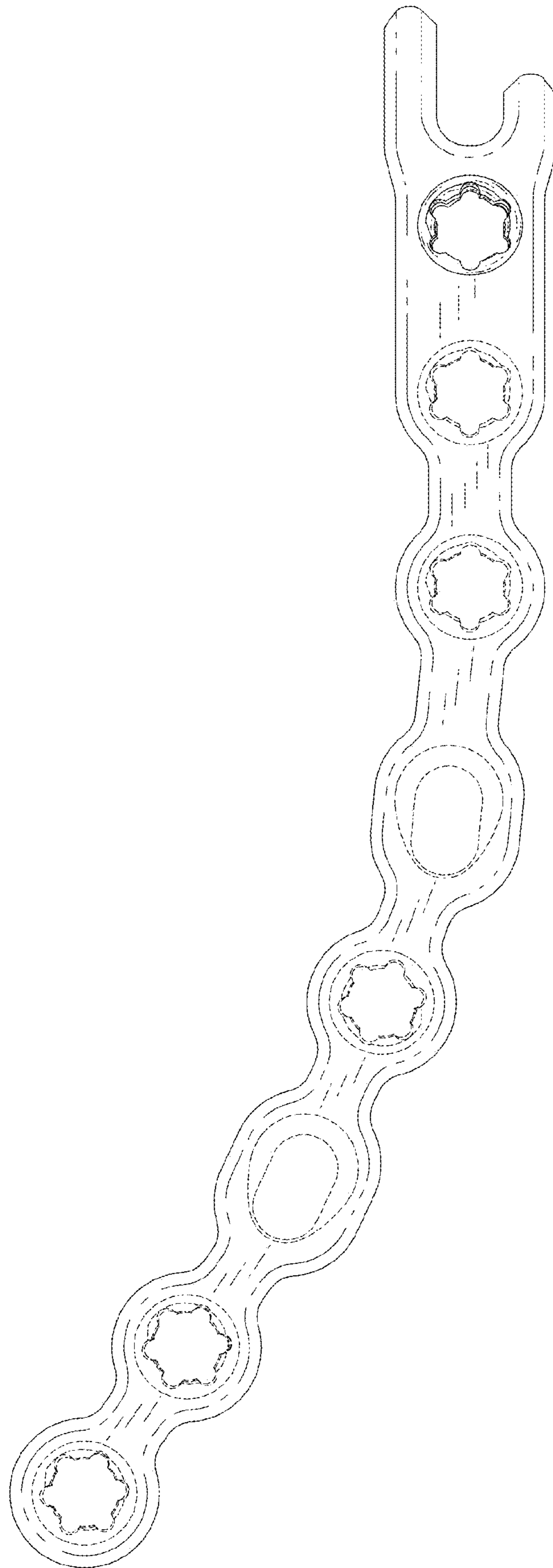


FIG. 3

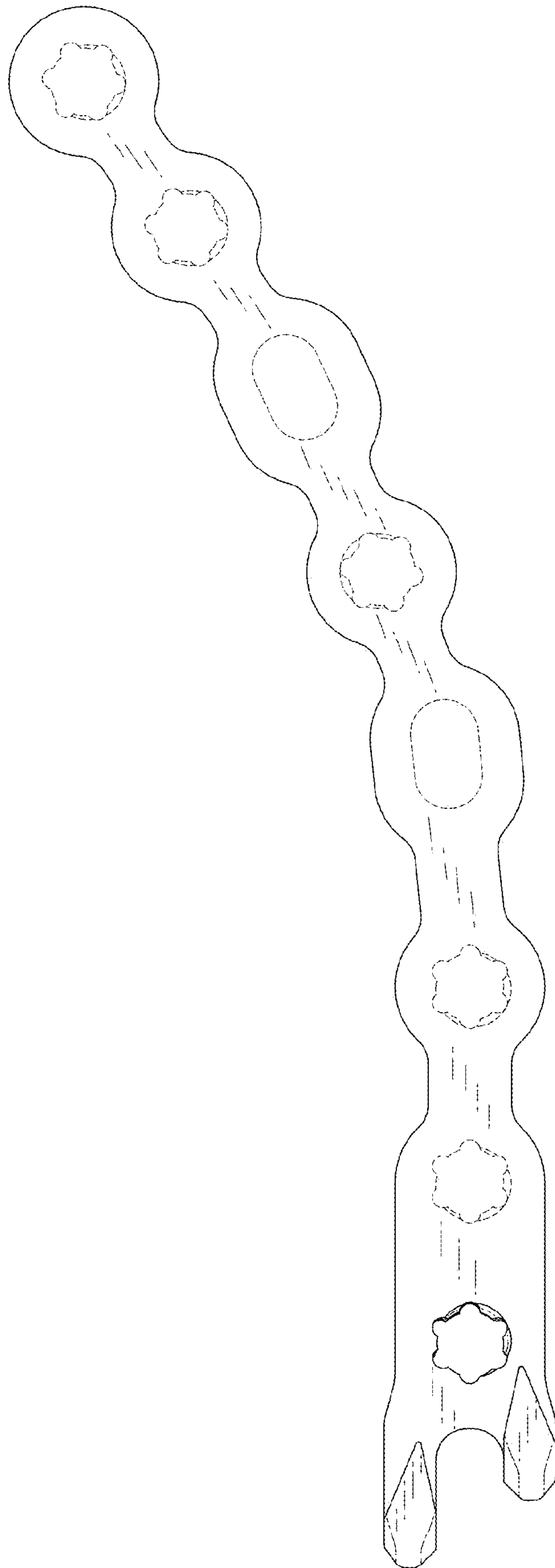


FIG. 4

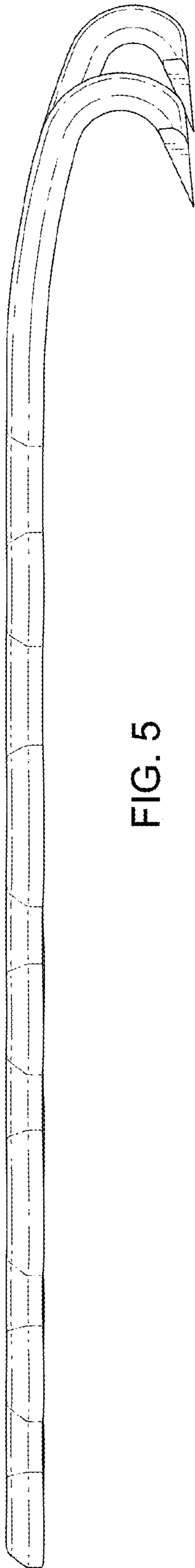


FIG. 5

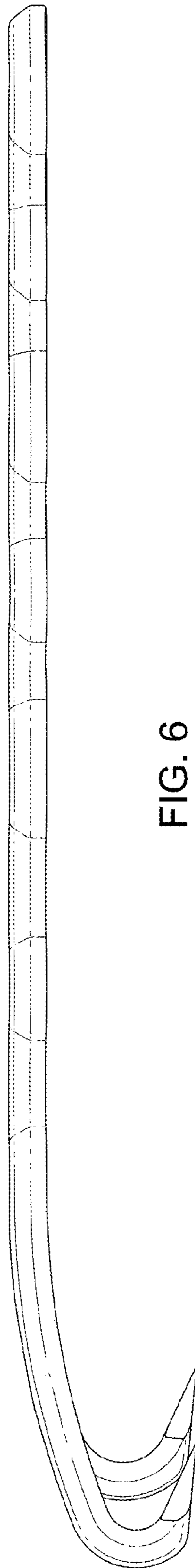


FIG. 6

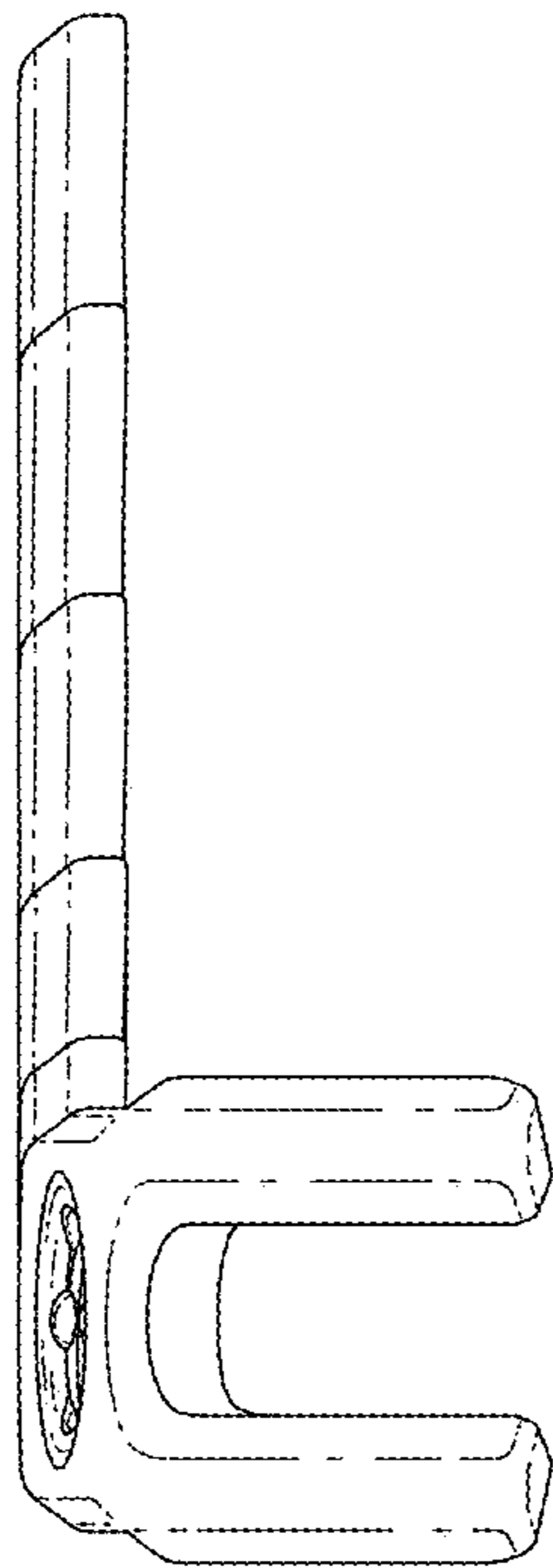


FIG. 7

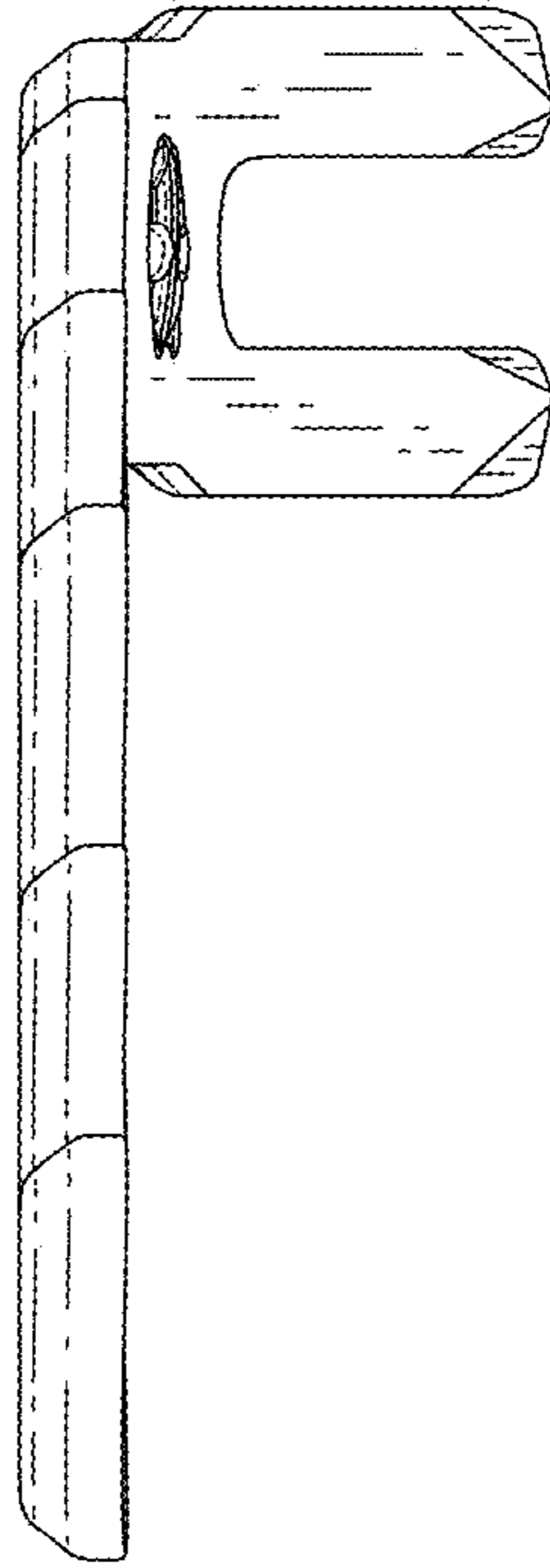


FIG. 8