



US00D882086S

(12) **United States Design Patent**
Milton et al.

(10) **Patent No.:** **US D882,086 S**
(45) **Date of Patent:** **** Apr. 21, 2020**

- (54) **SHAVE BIOPSY DEVICE**
- (71) Applicant: **Trevor John Milton**, Somerset West (ZA)
- (72) Inventors: **Trevor John Milton**, Somerset West (ZA); **Norman Anthony Nieuwenhuizen**, Boksburg (ZA)
- (**) Term: **15 Years**
- (21) Appl. No.: **29/669,638**
- (22) Filed: **Nov. 9, 2018**

- 5,674,234 A * 10/1997 McCool A61B 17/32093 30/32
 - 6,018,877 A * 2/2000 Greene B26B 21/222 30/298
 - 6,505,403 B1 * 1/2003 Andrews B26B 21/00 30/29.5
 - D625,005 S * 10/2010 Zimmer D24/140
 - D641,471 S * 7/2011 Zimmer D24/140
 - D643,118 S * 8/2011 Zimmer D24/140
 - D651,316 S * 12/2011 May D24/140
 - D679,395 S * 4/2013 Wright D24/140
 - D733,875 S * 7/2015 Chaney D24/140
 - D734,850 S * 7/2015 Chaney D24/140
 - 9,993,230 B2 * 6/2018 Allred A61B 10/0233
- (Continued)

Related U.S. Application Data

- (63) Continuation of application No. 16/146,287, filed on Sep. 28, 2018, now Pat. No. 10,492,768.

Foreign Application Priority Data

- Sep. 29, 2017 (GB) 1715907.0

- (51) **LOC (12) Cl.** **24-02**
- (52) **U.S. Cl.**
USPC **D24/147**

- (58) **Field of Classification Search**
USPC D24/133, 143, 145, 146, 147, 140, 158;
378/208; 606/130, 233, 415, 461
CPC . A61B 10/0266; A61B 10/0275; A61B 10/06;
A61B 17/3211; A61B 90/11; A61L
390/11
See application file for complete search history.

References Cited

U.S. PATENT DOCUMENTS

- 4,690,139 A * 9/1987 Rosenberg A61B 17/322 606/132
- 5,628,759 A * 5/1997 McCool A61B 17/32093 30/32

Primary Examiner — Samantha Q Lawrence
(74) *Attorney, Agent, or Firm* — Womble Bond Dickinson (US) LLP

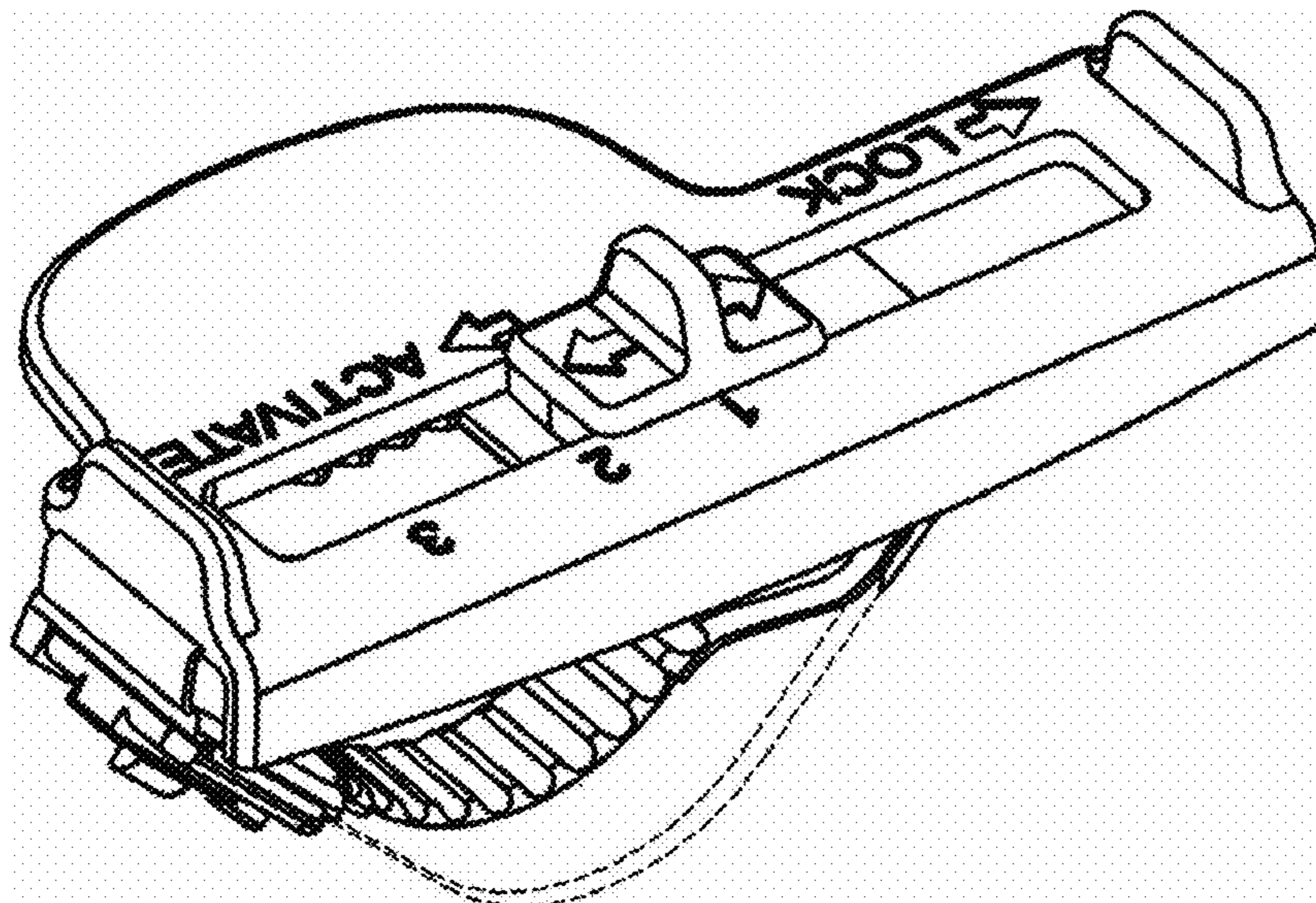
(57) **CLAIM**

The ornamental design for a shave biopsy device, as shown and described.

DESCRIPTION

FIG. 1 is a top front left perspective view of a shave biopsy device having our new design in an in-use position; FIG. 2 is a bottom front right perspective view thereof; FIG. 3 is a top plan view of thereof; FIG. 4 is a bottom plan view thereof; FIG. 5 is a front elevation view thereof; FIG. 6 is a rear elevation view thereof; FIG. 7 is a right side elevation view thereof; FIG. 8 is a left side elevation view thereof; FIG. 9 is a top rear right perspective view thereof shown in an open position; FIG. 10 is a bottom rear left perspective view thereof shown in an open position; and, FIG. 11 is a bottom rear right perspective view thereof. The broken lines illustrate portions of the shave biopsy device that form no part of the claimed design.

1 Claim, 7 Drawing Sheets



(56)

References Cited

U.S. PATENT DOCUMENTS

2011/0130678 A1* 6/2011 Williamson, IV
A61B 17/3205
600/564

* cited by examiner

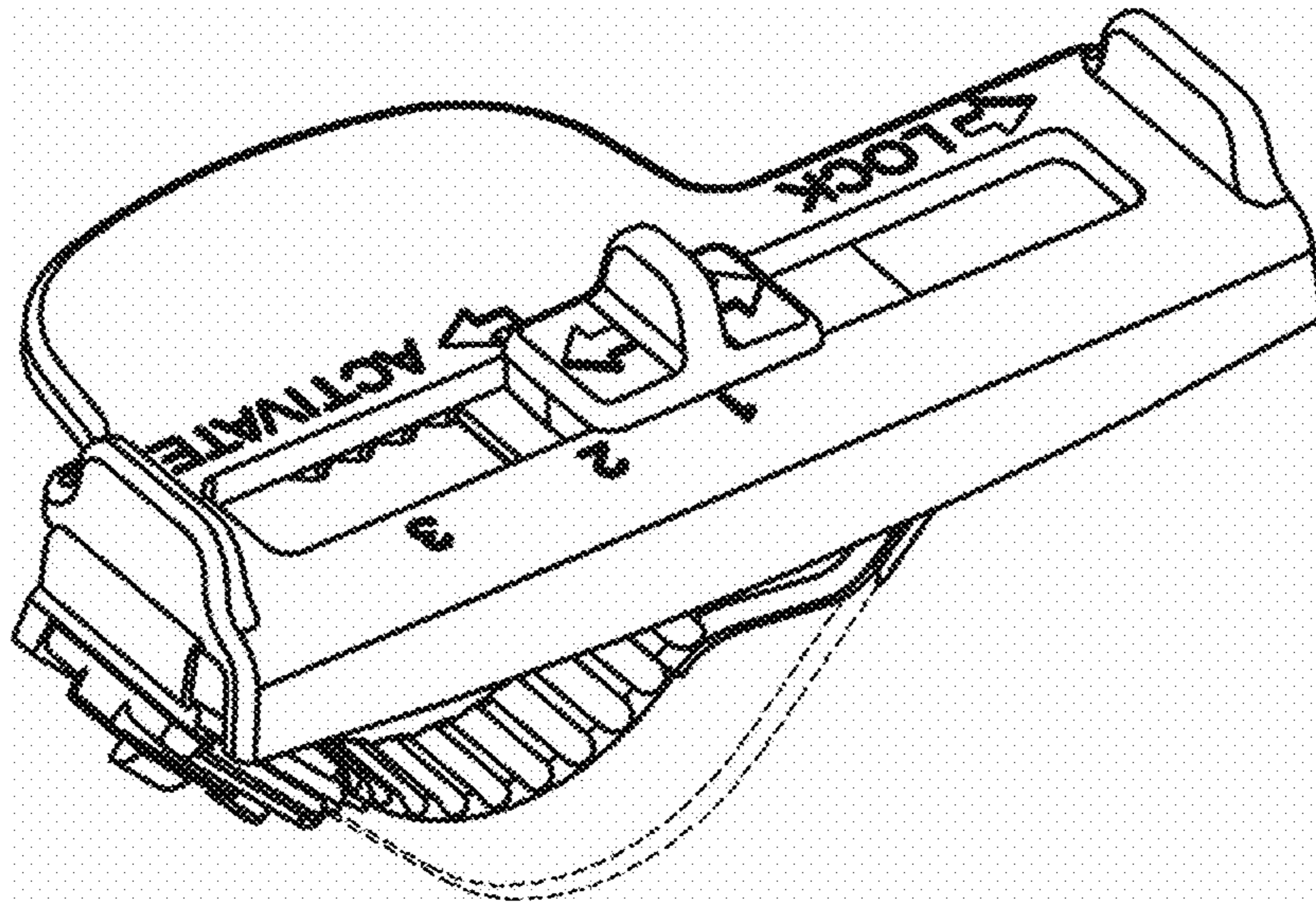


Figure 1

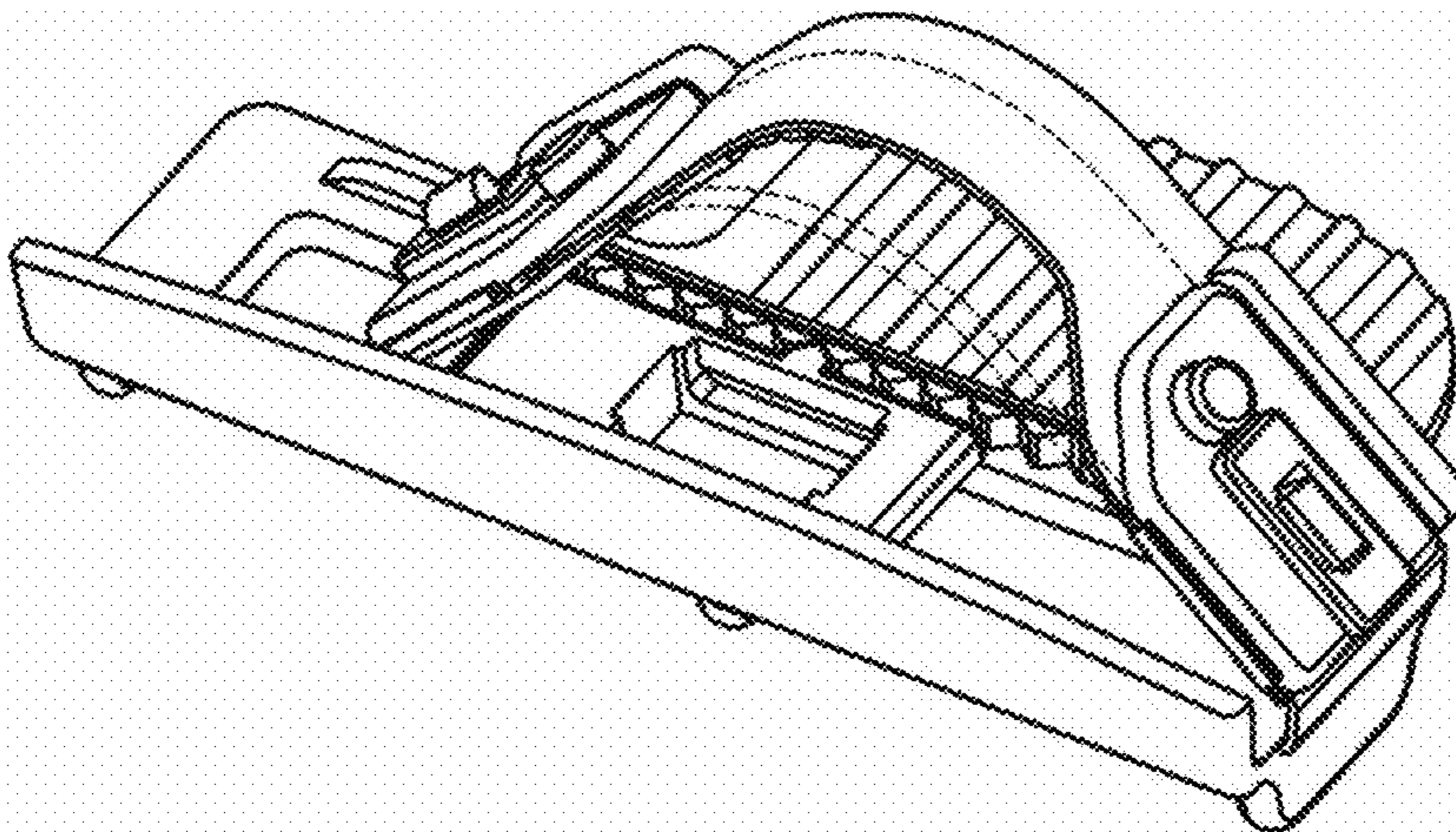


Figure 2

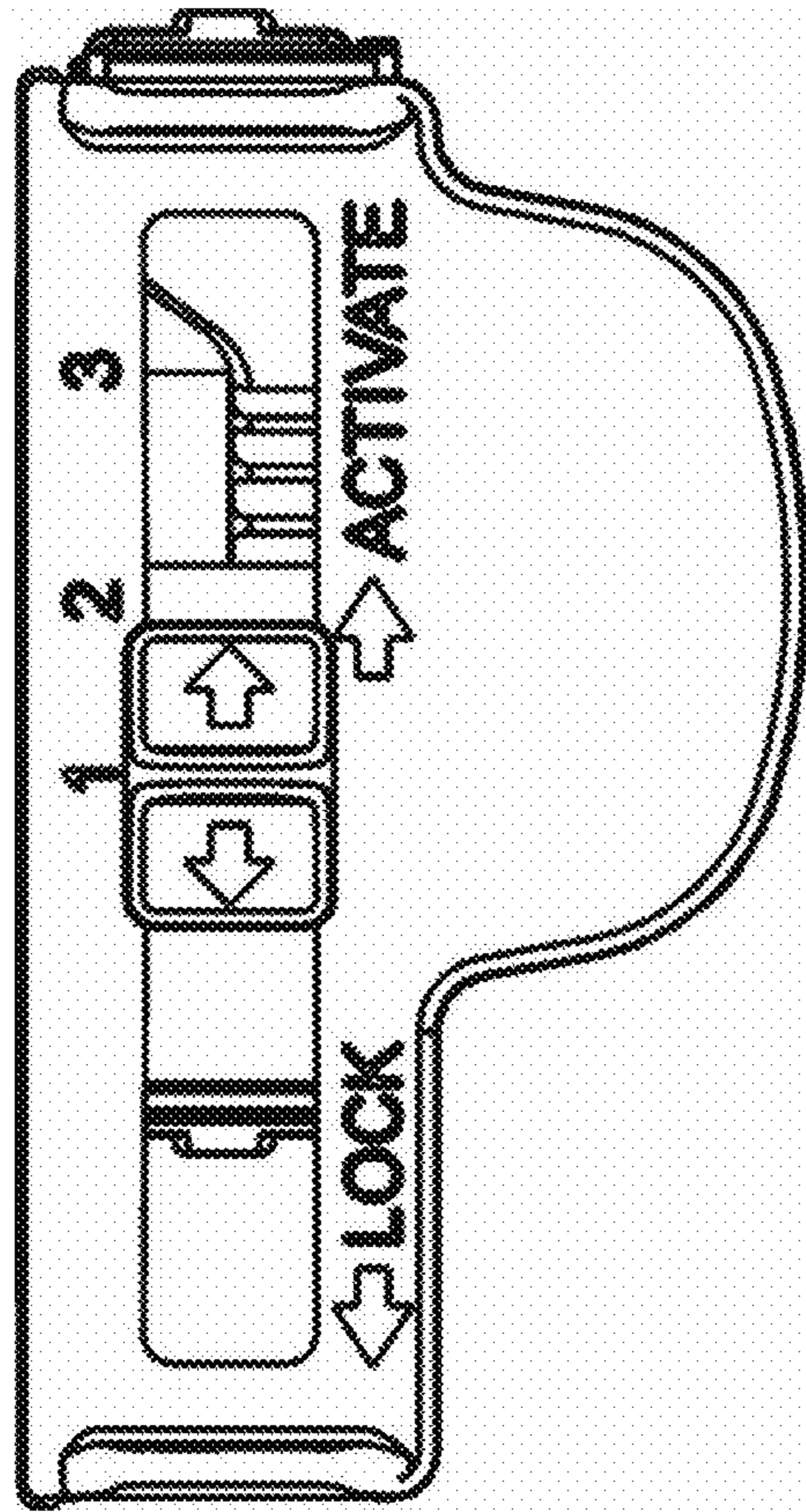


Figure 3

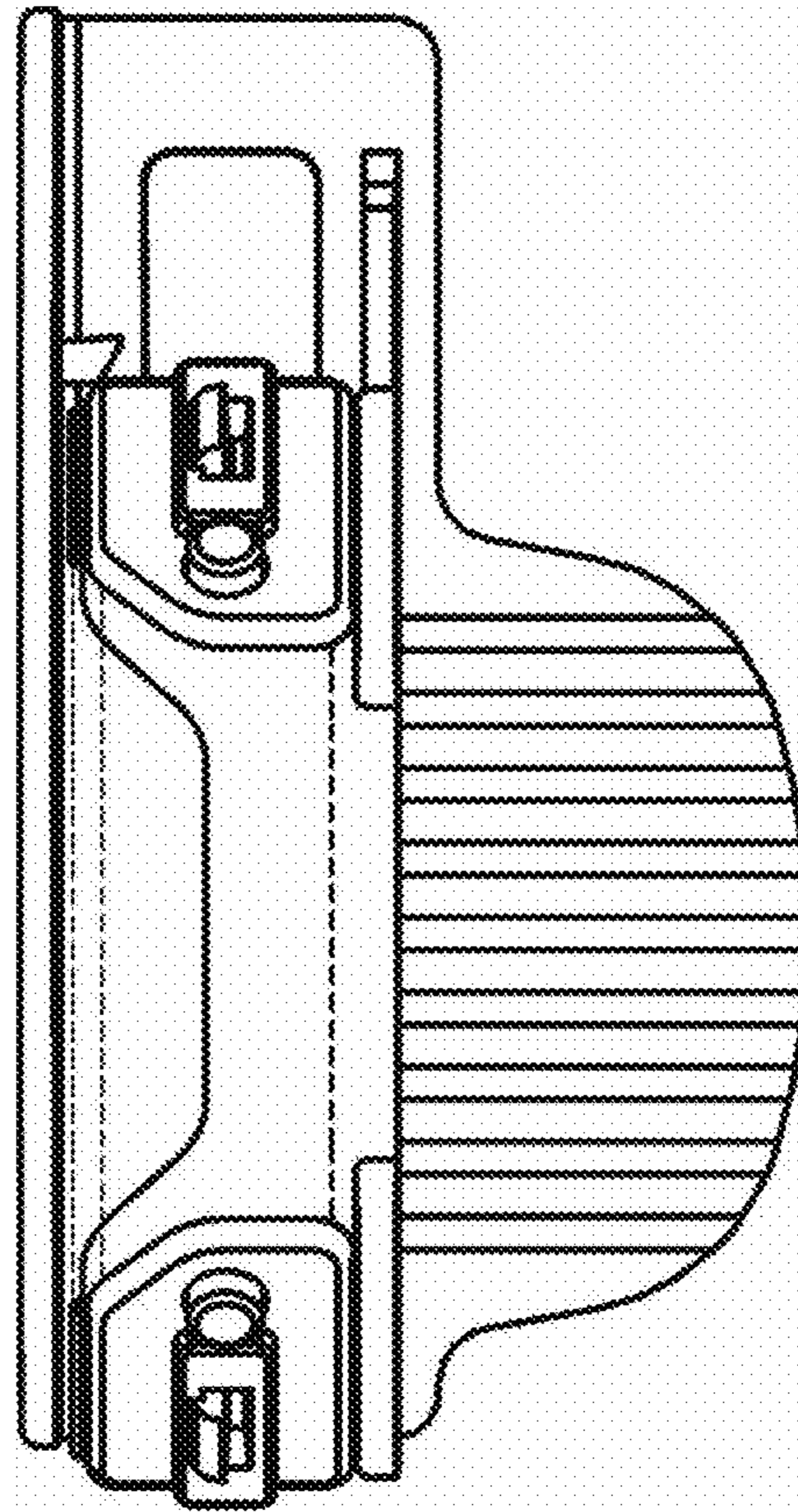


Figure 4

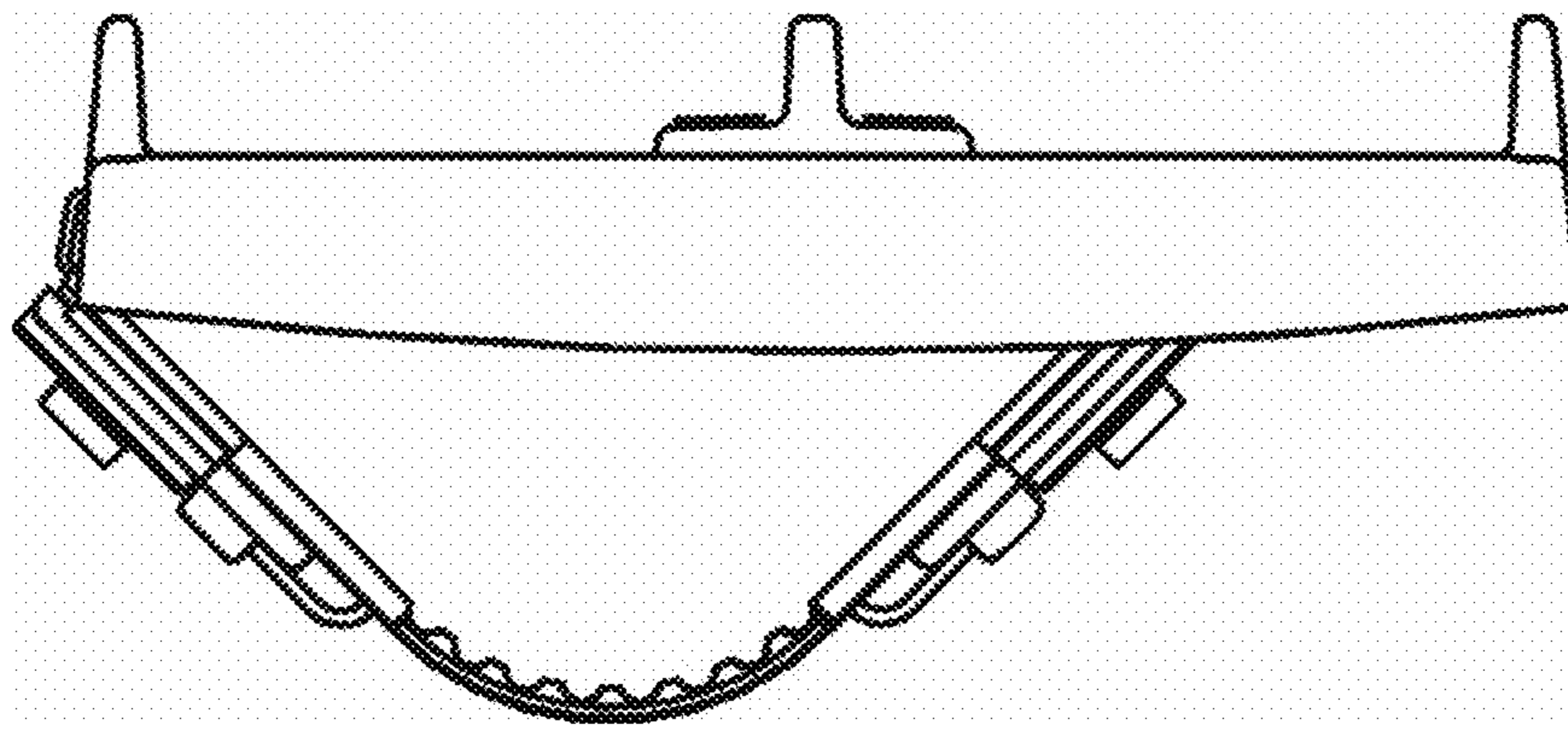


Figure 5

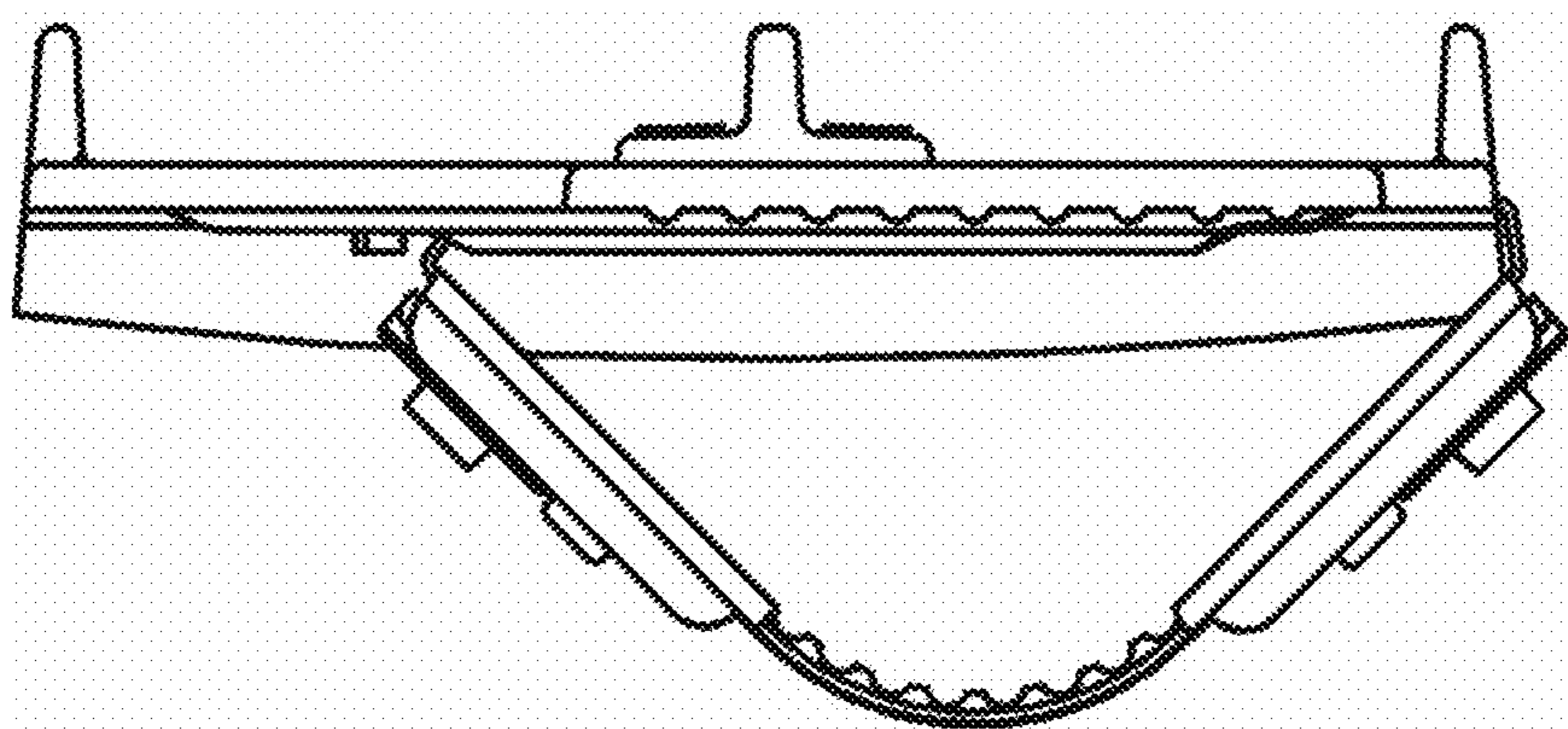


Figure 6

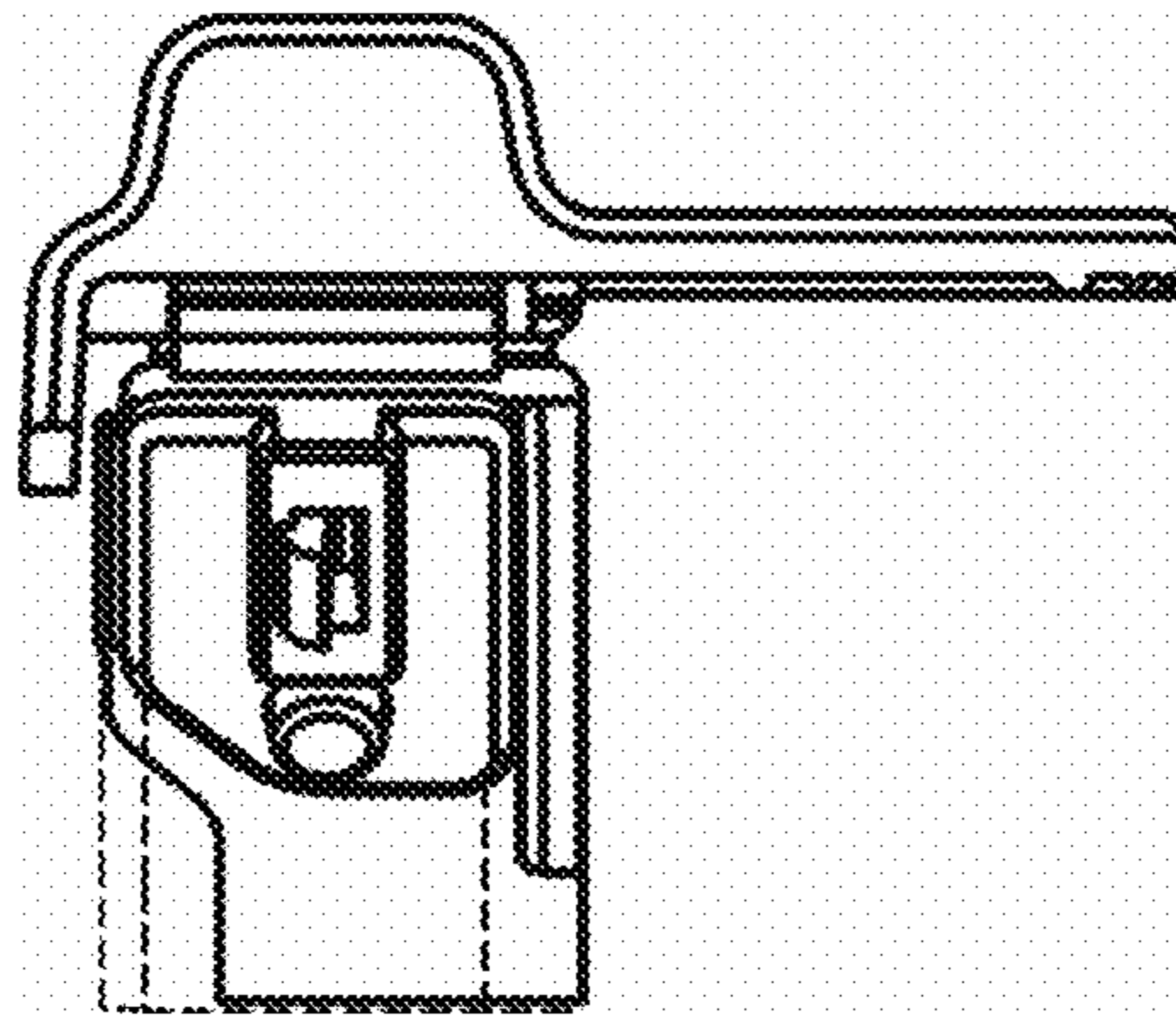


Figure 7

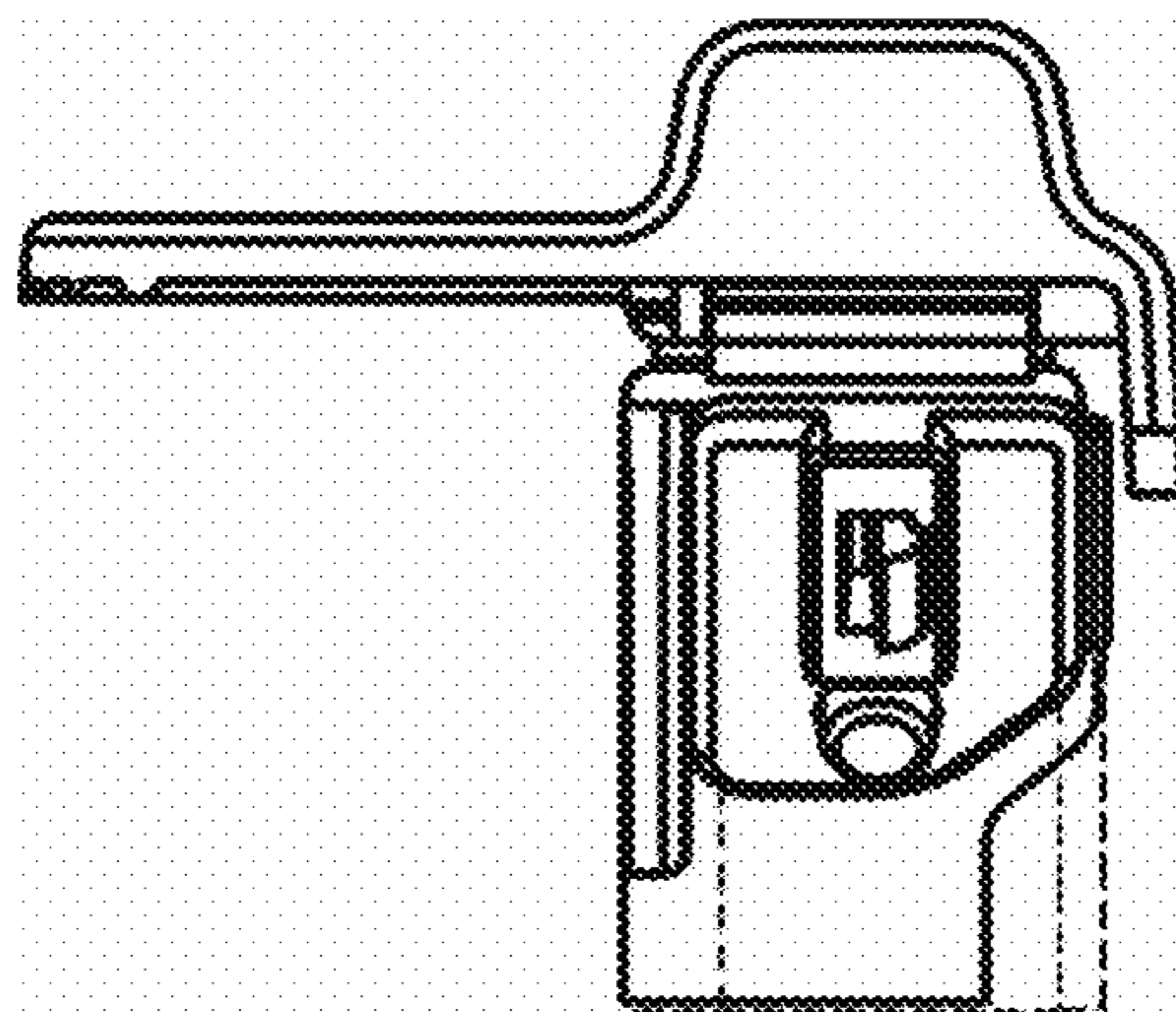


Figure 8

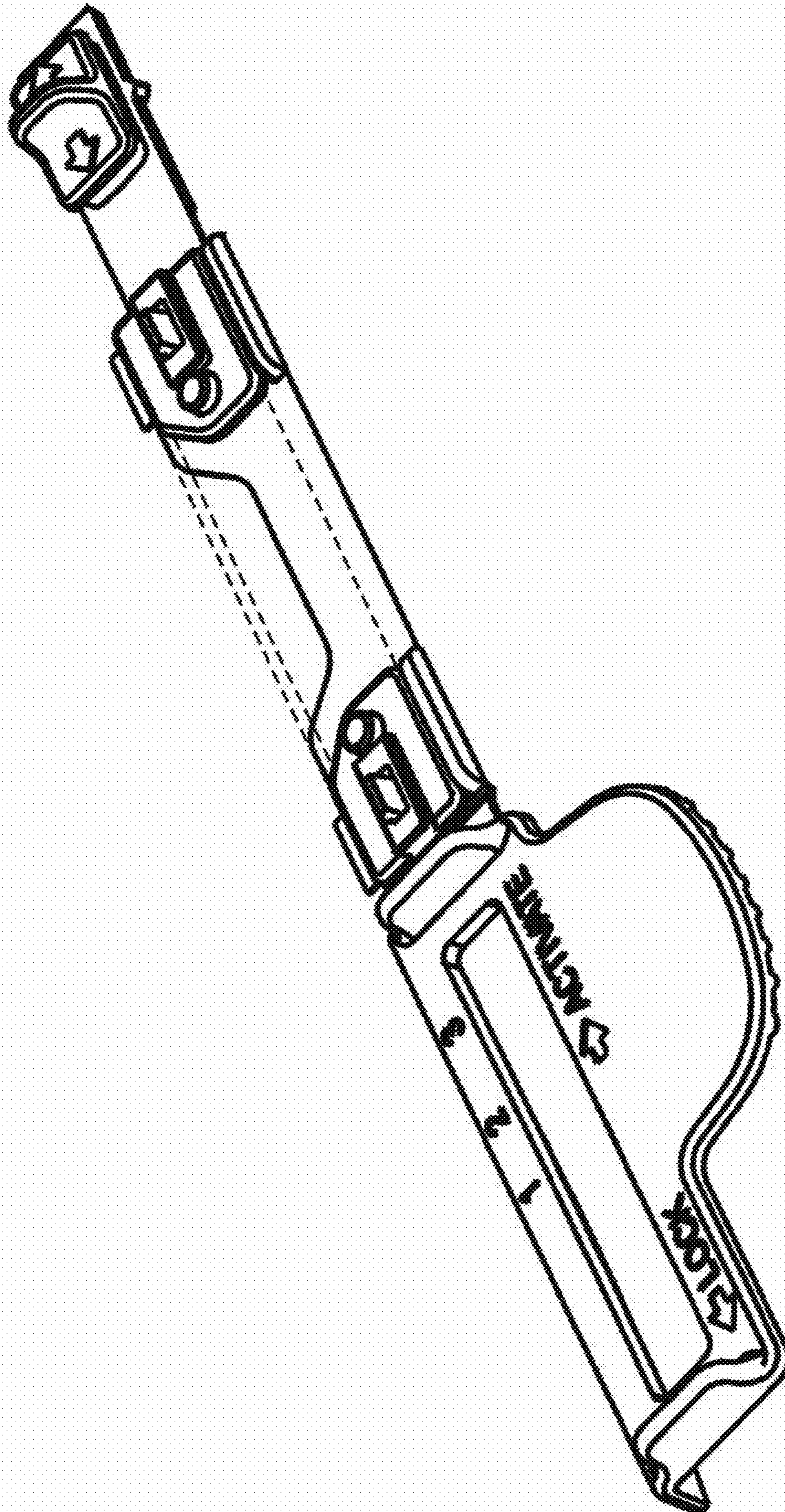


Figure 9

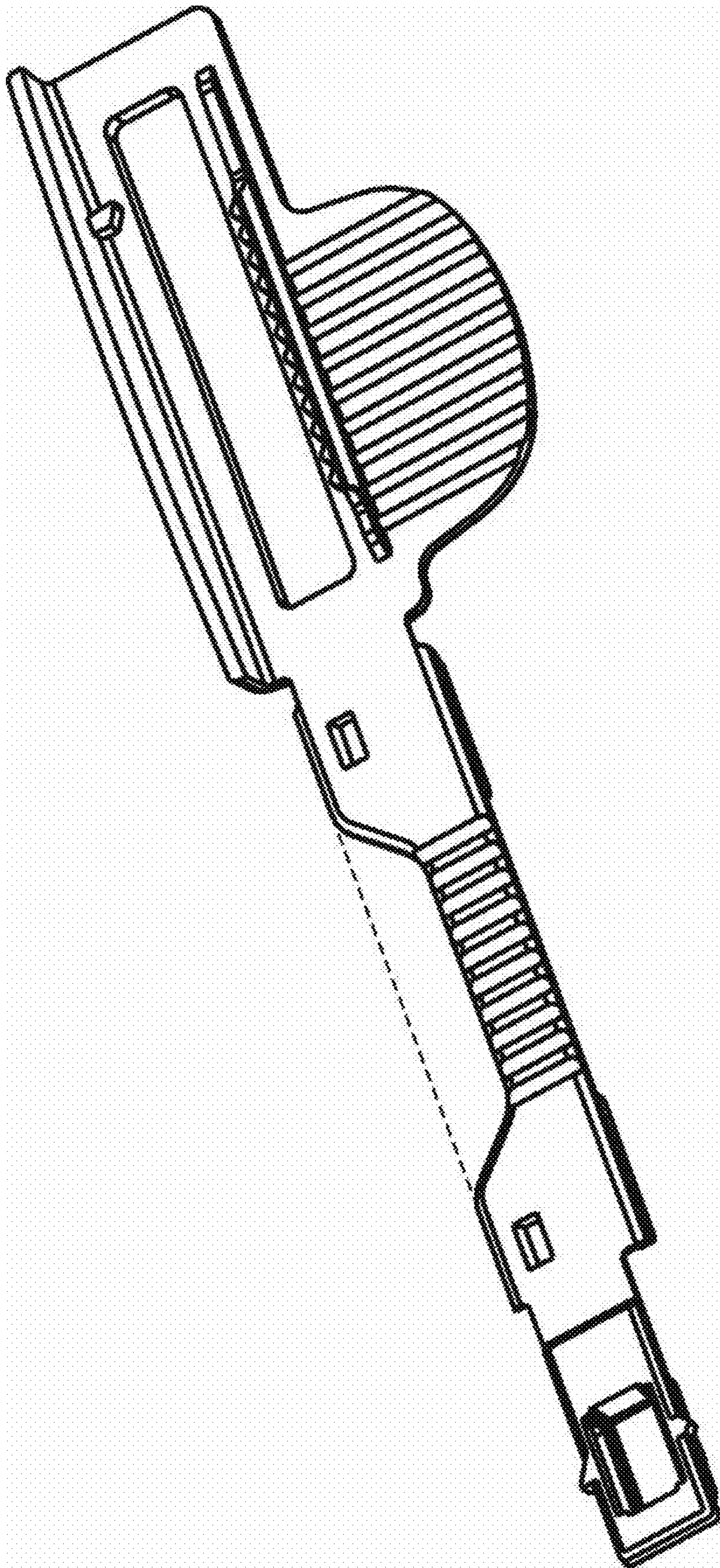


Figure 10

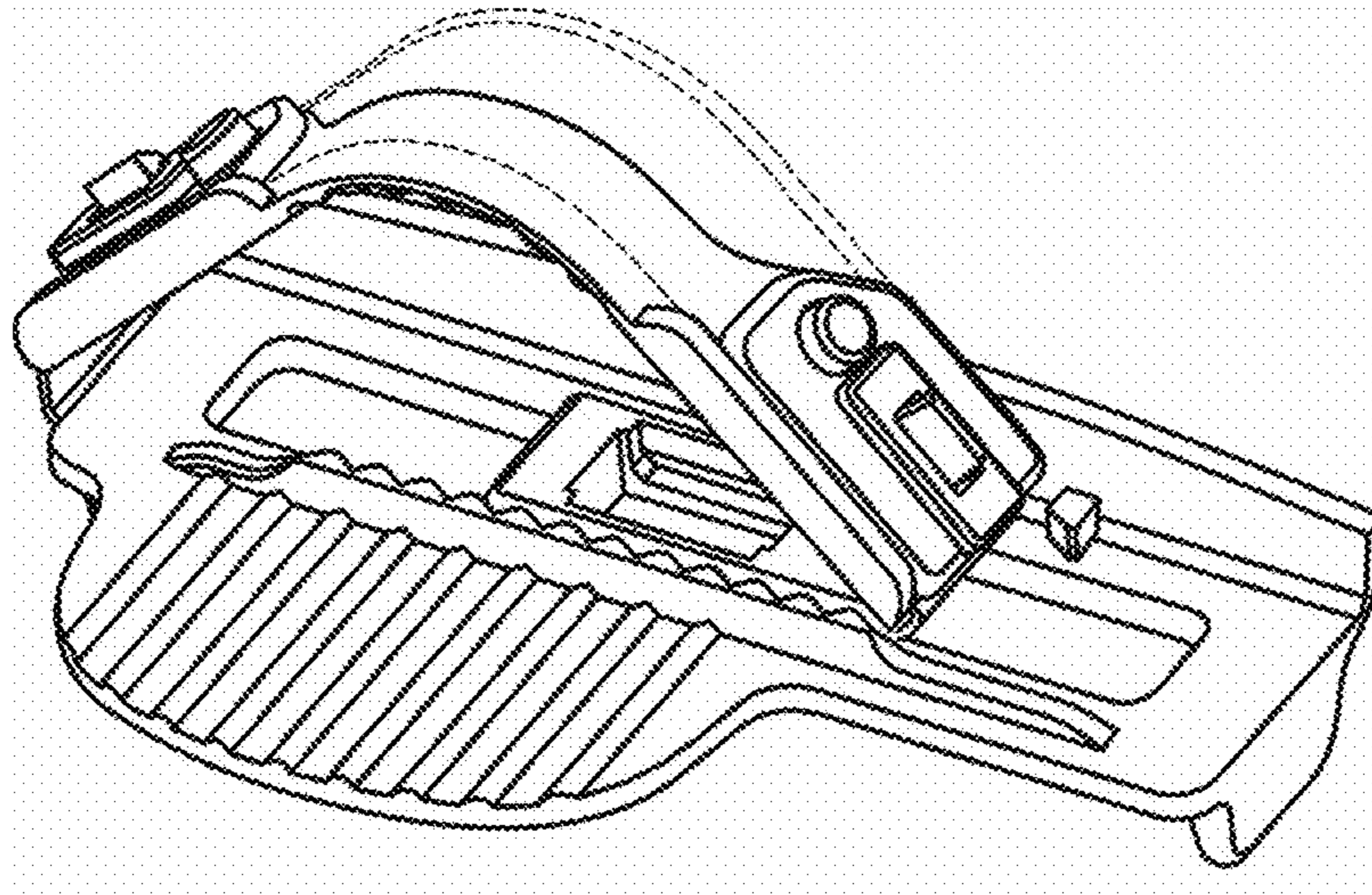


Figure 11