



US00D882085S

(12) **United States Design Patent** (10) **Patent No.:** **US D882,085 S**
Sweeney et al. (45) **Date of Patent:** **** Apr. 21, 2020**

(54) **INTRAOSSIOUS NEEDLE AND STYLET**

17/7041; A61F 2210/0038; A61F 5/566;
A61F 2/4455; A61M 2210/02

(71) Applicant: **Spinal Generations, LLC**, Mokena, IL
(US)

See application file for complete search history.

(72) Inventors: **Patrick J. Sweeney**, Flossmoor, IL
(US); **Matthew V. Leyden**, St. Paul,
MN (US)

(56) **References Cited**

(73) Assignee: **Spinal Generations, LLC**, Mokena, IL
(US)

U.S. PATENT DOCUMENTS

(**) Term: **15 Years**

D30,319 S	3/1899	Senderling	
5,431,655 A *	7/1995	Melker	A61B 17/3472 604/264
5,601,559 A *	2/1997	Melker	A61B 17/3472 604/264
5,662,615 A	9/1997	Blake, III	
D417,139 S	11/1999	Pitre	
6,408,918 B1	6/2002	Hummell et al.	

(21) Appl. No.: **29/696,641**

(Continued)

(22) Filed: **Jun. 28, 2019**

Primary Examiner — Samantha Q Lawrence

(74) *Attorney, Agent, or Firm* — Foley & Lardner LLP

Related U.S. Application Data

(57) **CLAIM**

(62) Division of application No. 29/629,855, filed on Dec.
15, 2017, now Pat. No. Des. 855,804.

We claim the ornamental design for a intrasosseous needle
and stylet, as shown and described.

(51) **LOC (12) Cl.** **24-02**

DESCRIPTION

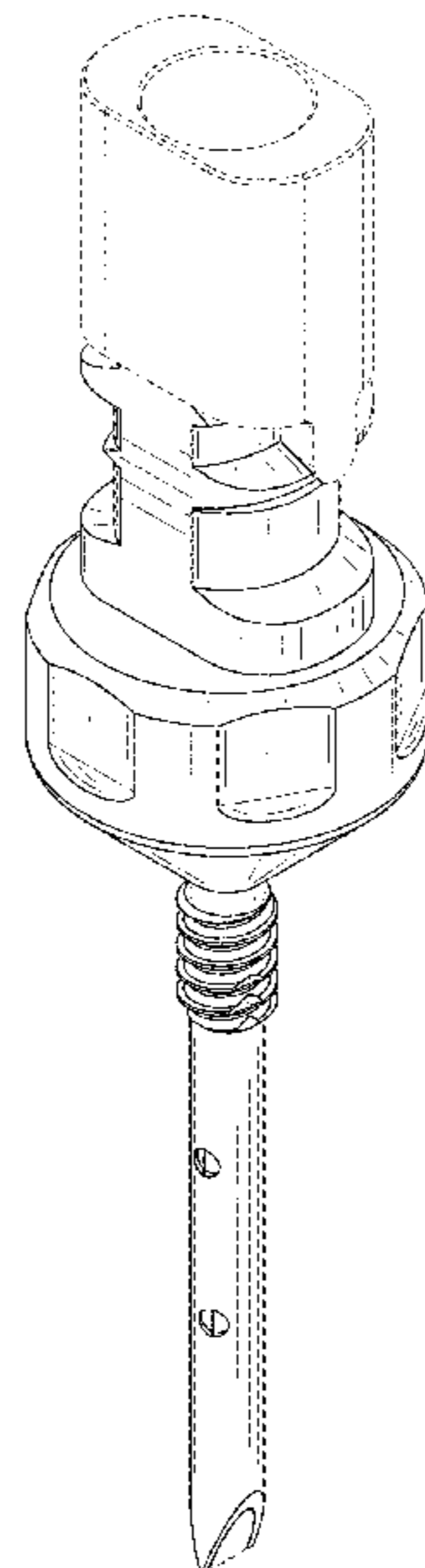
(52) **U.S. Cl.**
USPC **D24/146**

(58) **Field of Classification Search**
USPC D24/127, 130, 133, 146, 147, 148, 112,
D24/113, 114, 115, 116, 117, 118, 155,
D24/156, 157; 128/848; 606/106, 108;
D7/649; D8/93, 97, 300, 310, 311, 313,
D8/52, 53, 54, 55, 56, 57, 58, 59, 60,
D8/349, 382, 387, 388, 390, 391, 392,
D8/393, 397, 399

CPC A61B 1/018; A61B 2017/2939; A61B
17/3472; A61B 10/025; A61B 17/864;
A61B 17/8811; A61B 2010/0258; A61B
10/0233; A61B 17/1637; A61B 17/32002;
A61B 17/3476; A61B 2017/349; A61B
17/1671; A61B 17/7005; A61B 17/7007;
A61B 17/701; A61B 17/7032; A61B

FIG. 1 is a front, left perspective view of an intrasosseous
needle and stylet;
FIG. 2 is a front, right exploded perspective view of the
claimed design of FIG. 1;
FIG. 3 is a front elevation view of the claimed design of FIG.
1;
FIG. 4 is a rear elevation view of the claimed design of FIG.
1;
FIG. 5 is a right side view of the claimed design of FIG. 1;
FIG. 6 is a left side view of the claimed design of FIG. 1;
FIG. 7 is a top view of the claimed design of FIG. 1; and,
FIG. 8 is a bottom view of the claimed design of FIG. 1.
The broken lines shown in FIGS. 1 and 2 illustrate portions
of the intrasosseous needle and stylet that form no part of the
claimed design.

1 Claim, 5 Drawing Sheets



(56)

References Cited

U.S. PATENT DOCUMENTS

D611,511 S 3/2010 Anitua Aldecoa
 7,744,635 B2 6/2010 Sweeney
 D620,108 S 7/2010 Eitenmueller
 D639,645 S 6/2011 Carrillo et al.
 8,062,270 B2 11/2011 Sweeney
 D715,431 S 10/2014 Vonck
 D736,926 S * 8/2015 Minnelli D24/147
 D740,420 S 10/2015 Spycher
 D744,649 S 12/2015 Brannon
 D748,788 S 2/2016 Brannon
 D749,217 S 2/2016 Brannon
 D753,303 S * 4/2016 Dannaher D24/146
 D773,926 S 12/2016 Sweeney
 D778,443 S 2/2017 Brannon
 D786,433 S 5/2017 Seaver
 D790,700 S 6/2017 Zhou
 D794,791 S 8/2017 Zhou

D797,288 S * 9/2017 Zhou D24/146
 D798,701 S 10/2017 Hill
 D801,796 S 11/2017 Sweeney
 D813,389 S * 3/2018 Zhou D24/146
 D814,032 S * 3/2018 Zhou D24/146
 D814,033 S 3/2018 Fuchs
 D818,812 S 5/2018 Schrawder
 D830,820 S * 10/2018 Sweeney D8/387
 D831,213 S 10/2018 Kuun
 D831,475 S 10/2018 Sweeney
 D831,476 S 10/2018 Sweeney
 D836,976 S 1/2019 Reese et al.
 D855,804 S * 8/2019 Sweeney D24/146
 D856,509 S * 8/2019 Lange D24/110
 2005/0277923 A1 * 12/2005 Sweeney A61B 17/1671
 623/17.11
 2009/0092462 A1 4/2009 Pratt
 2014/0276205 A1 * 9/2014 Miller A61B 10/025
 600/567
 2019/0184097 A1 * 6/2019 Sweeney A61B 17/3472

* cited by examiner

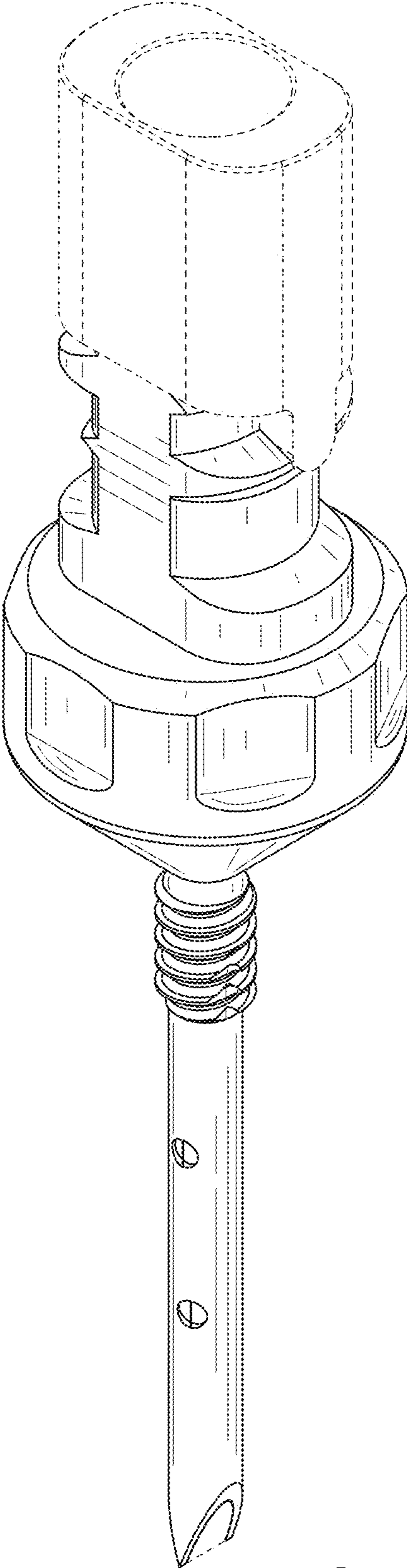


FIG. 1

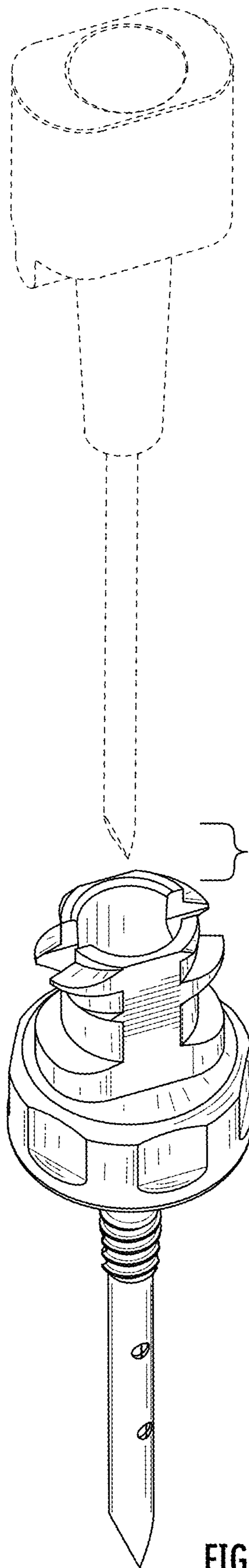


FIG. 2

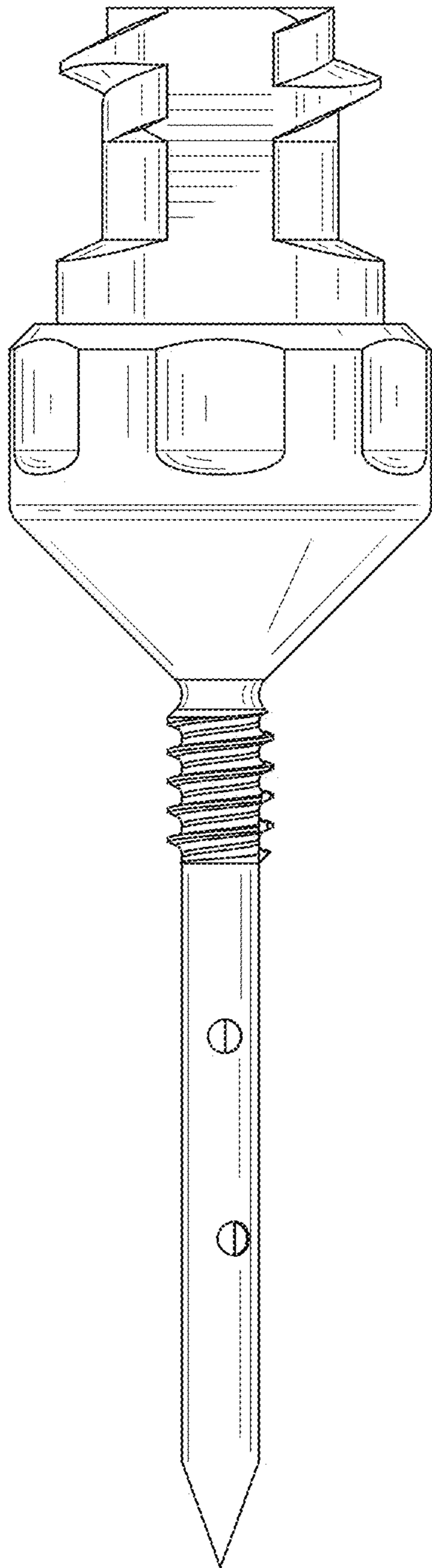


FIG. 3

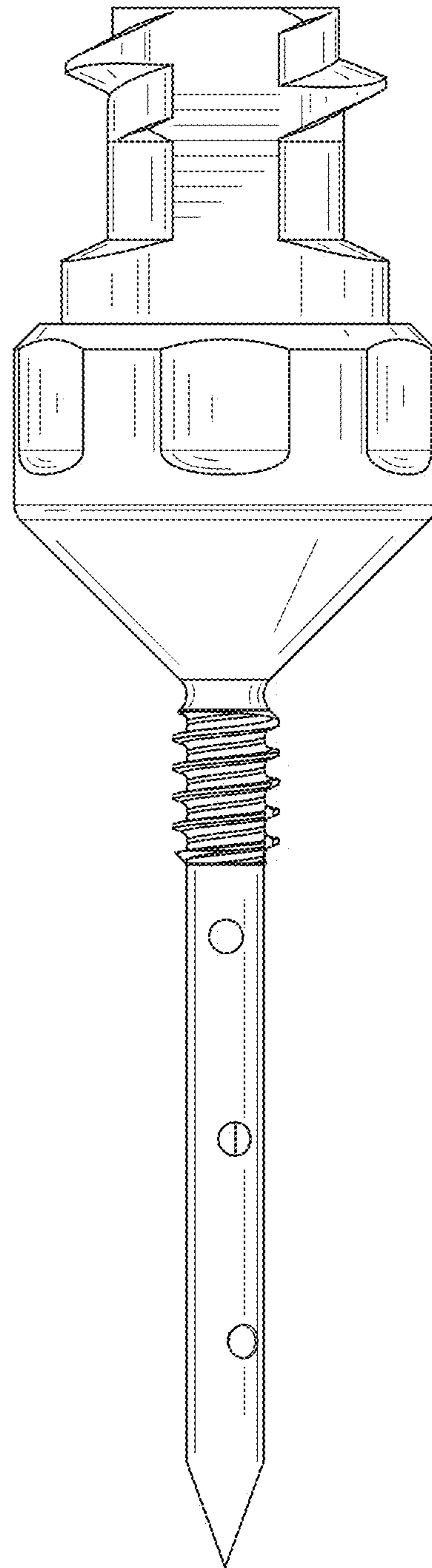


FIG. 4

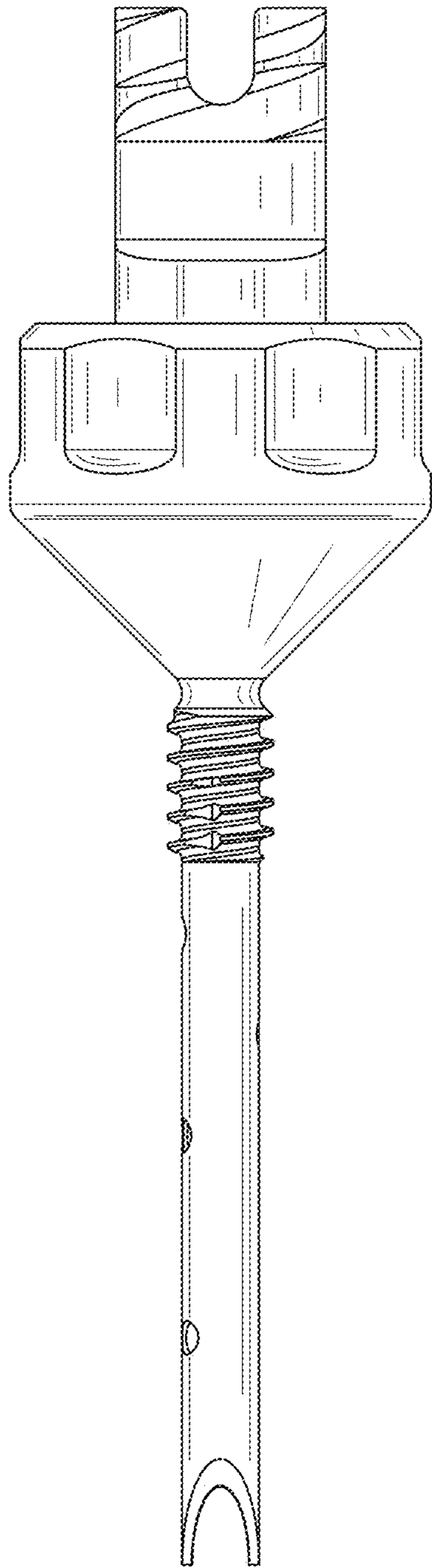


FIG. 5

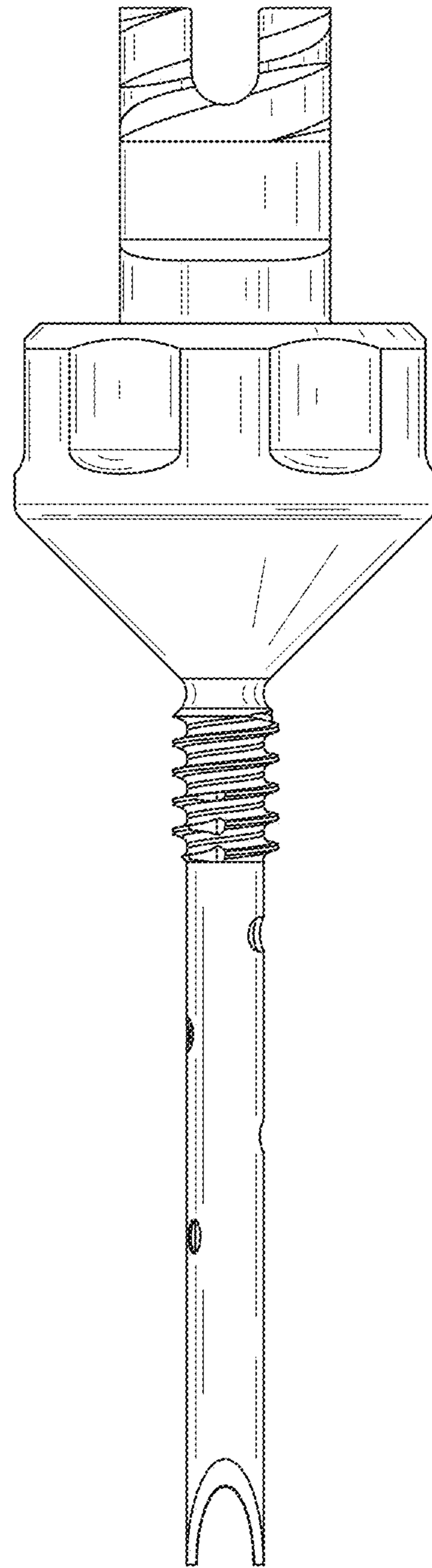


FIG. 6

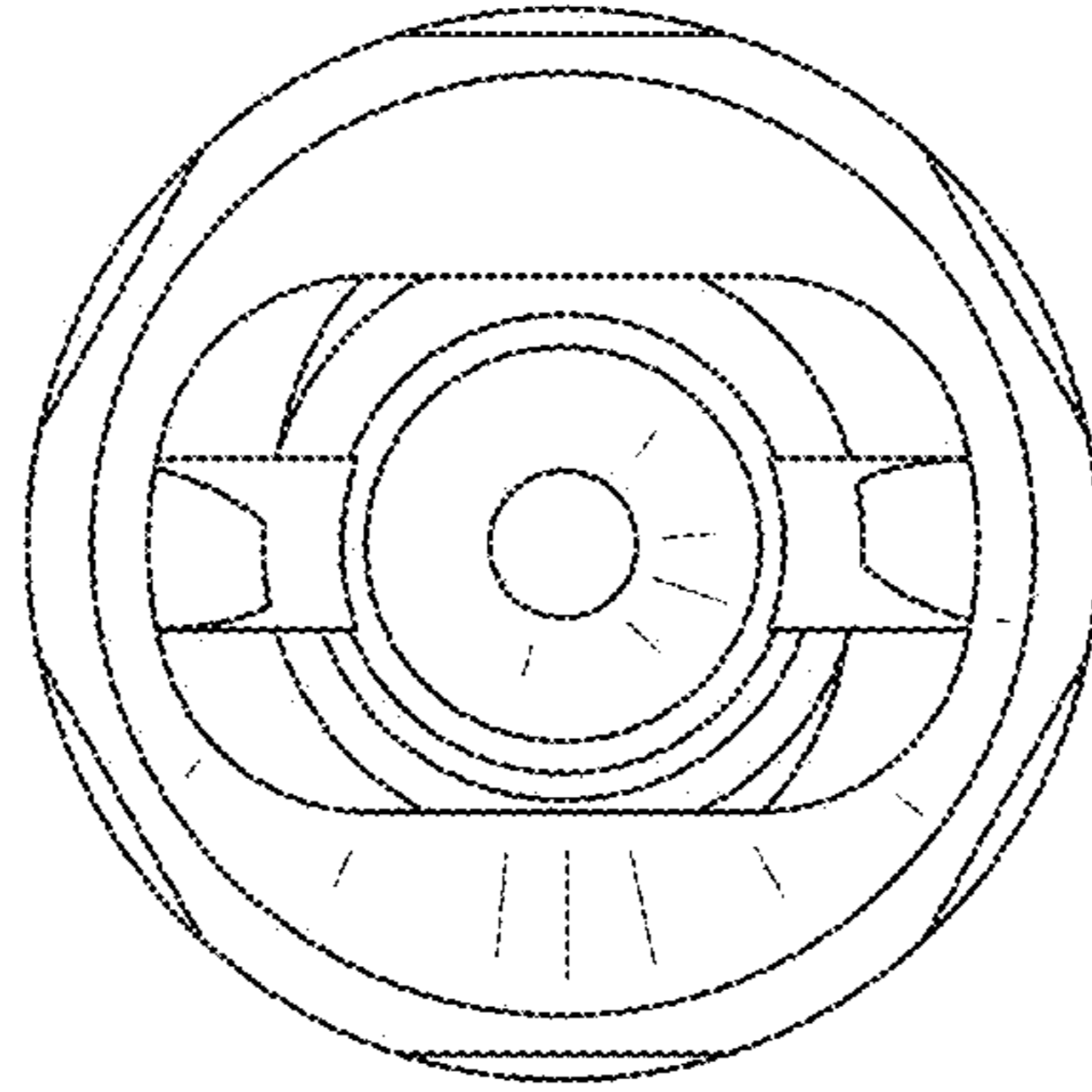


FIG. 7

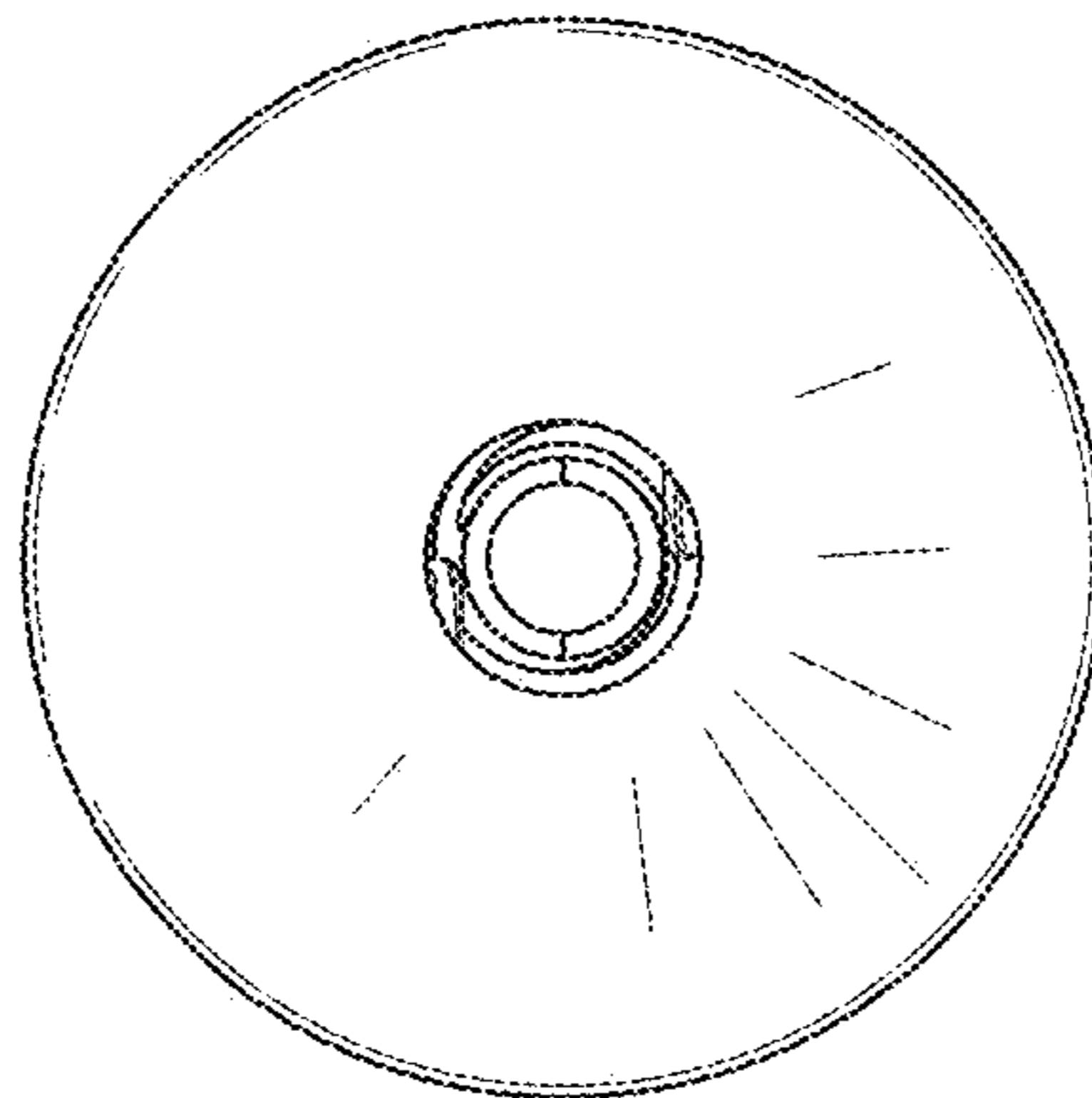


FIG. 8