



US00D882082S

(12) **United States Design Patent**  
**Qun**

(10) **Patent No.:** **US D882,082 S**

(45) **Date of Patent:** **\*\* Apr. 21, 2020**

(54) **ULTRASONIC CUTTER HEAD**

A61B 17/1659; A61B 17/16; A61B 17/1604; A61B 2017/00261; A61B (Continued)

(71) Applicant: **BEIJING SMTP TECHNOLOGY CO., LTD.**, Beijing (CN)

(72) Inventor: **Cao Qun**, Beijing (CN)

(73) Assignee: **BEIJING SMTP TECHNOLOGY CO., LTD.**, Beijing (CN)

(\*\*) Term: **15 Years**

(21) Appl. No.: **29/635,566**

(22) Filed: **Jan. 31, 2018**

(51) **LOC (12) Cl.** ..... **24-02**

(52) **U.S. Cl.**  
USPC ..... **D24/146**

(58) **Field of Classification Search**  
USPC ..... D24/108, 133, 150, 152, 155, 176, 210, D24/231, 216, 232, 185, 186, 104, D24/112-114, 117-119, 127, 141, 144, D24/188, 207, 200, 209, 215; D15/21, D15/22, 23, 24, 25, 26, 27, 28, 29, 138, D15/139, 140; D28/70, 7, 9, 20; D25/126  
CPC ..... B23B 51/02; B23B 51/08; B23B 51/10; B23B 51/00; B23B 2251/50; B23B 2251/18; B23B 2251/46; B23B 2222/28; B23B 2240/08; Y10S 408/713; Y10T 407/26; Y10T 408/9097; Y10T 408/899; Y10T 408/90; A61C 3/02; A61C 8/0089; A61C 1/07; A61B 17/3213; A61B 17/3417; A61B 17/14; A61B 17/142; A61B 17/320016; A61B 17/32002; A61B 17/3211; A61B 2017/00473; A61B 2017/320032; A61B 2017/32113; A61B 2017/32116; A61B 2017/3454; A61B 2018/1412; A61B 90/30; A61B 17/144; A61B 17/1615; A61B 17/162; A61B 17/1624; A61B 17/1633; A61B 17/1637;

(56) **References Cited**

U.S. PATENT DOCUMENTS

533,573 A *	2/1895	Wilkins .....	A61C 3/02 433/165
1,862,955 A *	6/1932	Funke .....	A61C 3/02 433/165

(Continued)

OTHER PUBLICATIONS

SS White HP <https://www.net32.com/ec/ss-white-hp-8-round-carbide-bur-d-40336> Date Unknown.\*

(Continued)

*Primary Examiner* — Samantha Q Lawrence  
(74) *Attorney, Agent, or Firm* — Maschoff Brennan

(57) **CLAIM**

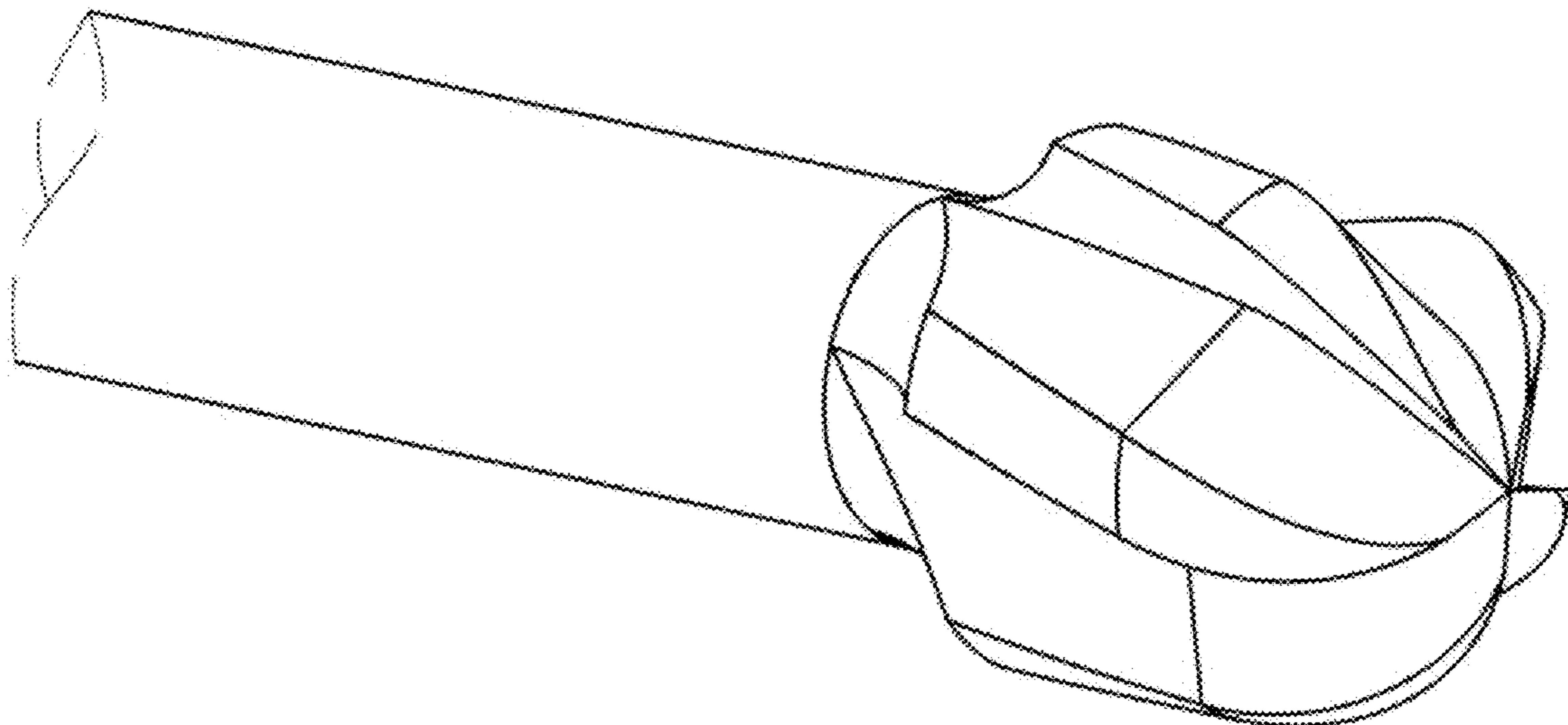
The ornamental design for an ultrasonic cutter head, as shown and described.

**DESCRIPTION**

FIG. 1 is a top, front, and left side perspective view of an ultrasonic cutter head, showing our new design; FIG. 2 is a top plan view thereof; FIG. 3 is a left side view thereof; FIG. 4 is a right side view thereof; FIG. 5 is a bottom plan view thereof; FIG. 6 is a front elevational view thereof; FIG. 7 is a rear elevational view thereof; and, FIG. 8 is a full view thereof.

The broken lines shown in FIGS. 1-5 and FIGS. 7-8 atop the cylinder illustrate boundaries of the ultrasonic cutter head. The additional broken lines shown in FIG. 8 illustrate environment and form no part of the claimed design.

**1 Claim, 3 Drawing Sheets**



(58) **Field of Classification Search**  
 CPC ..... 2017/320075; A61B 2017/32007; A61B  
 2017/320077; A61B 2217/007; B23D  
 61/006; B23D 61/121; B23P 15/32; B27B  
 19/006

See application file for complete search history.

(56) **References Cited**

U.S. PATENT DOCUMENTS

4,032,251 A \* 6/1977 Ribich ..... B23B 51/10  
 408/199  
 D331,464 S \* 12/1992 Rosenberg ..... D24/147  
 D662,590 S \* 6/2012 Sonoi ..... D24/152  
 8,852,222 B2 \* 10/2014 O'Sullivan ..... A61B 17/1615  
 606/180  
 D734,791 S \* 7/2015 O'Malley ..... D15/139  
 2007/0248935 A1 \* 10/2007 Danger ..... A61C 3/02  
 433/165  
 2009/0208902 A1 \* 8/2009 Danger ..... A61C 3/02  
 433/165  
 2010/0248182 A1 \* 9/2010 Sonoi ..... A61C 3/02  
 433/166

2016/0074944 A1 \* 3/2016 Koga ..... B23B 51/02  
 408/1 R  
 2016/0107245 A1 \* 4/2016 Chang ..... B23C 5/207  
 408/226  
 2017/0165797 A1 \* 6/2017 Nii ..... B23P 15/28  
 2018/0228577 A1 \* 8/2018 Zacharia ..... A61C 1/084  
 2018/0243843 A1 \* 8/2018 Schwagerl ..... B23B 51/02  
 2018/0250755 A1 \* 9/2018 George ..... B23B 51/02  
 2018/0250756 A1 \* 9/2018 Koga ..... B23B 51/02  
 2018/0257151 A1 \* 9/2018 Park ..... B23B 51/02  
 2018/0318939 A1 \* 11/2018 Harada ..... B23B 51/00  
 2018/0369925 A1 \* 12/2018 Novovic ..... B23B 27/141  
 2019/0192172 A1 \* 6/2019 Nassutt ..... A61B 17/1635  
 2019/0239900 A1 \* 8/2019 del Rio ..... A61B 17/1615  
 2019/0254685 A1 \* 8/2019 McGinley ..... A61B 17/1626  
 2019/0307467 A1 \* 10/2019 Sippola ..... A61B 17/142

OTHER PUBLICATIONS

8 Round Carbide <https://highspeedengraving.com/product/8-round-carbide/> Date Unknown.\*  
 Midwest Operative Carbide Burs <https://www.pattersondental.com/Supplies/ItemDetail/074928867> Date Unknown.\*

\* cited by examiner

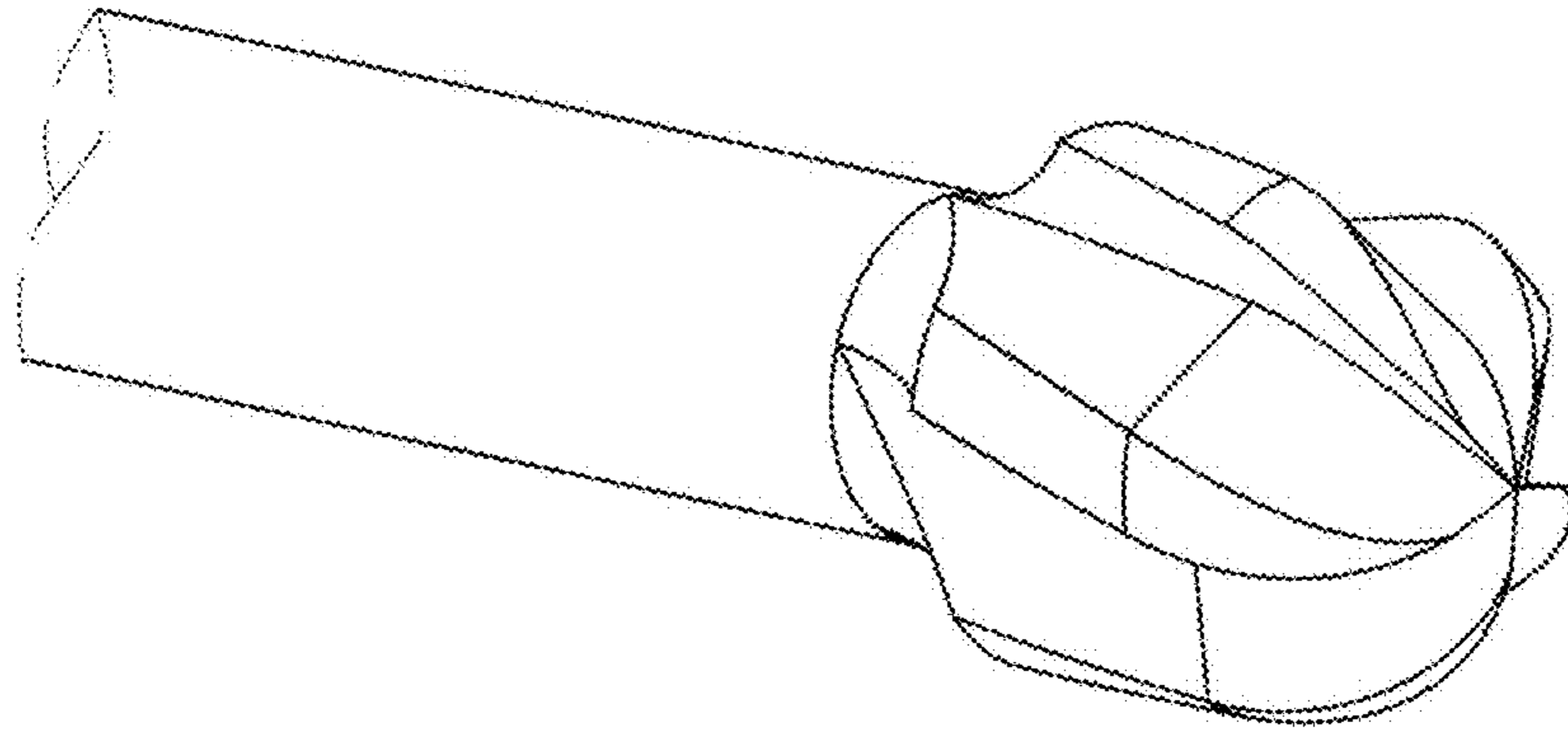


Fig.1

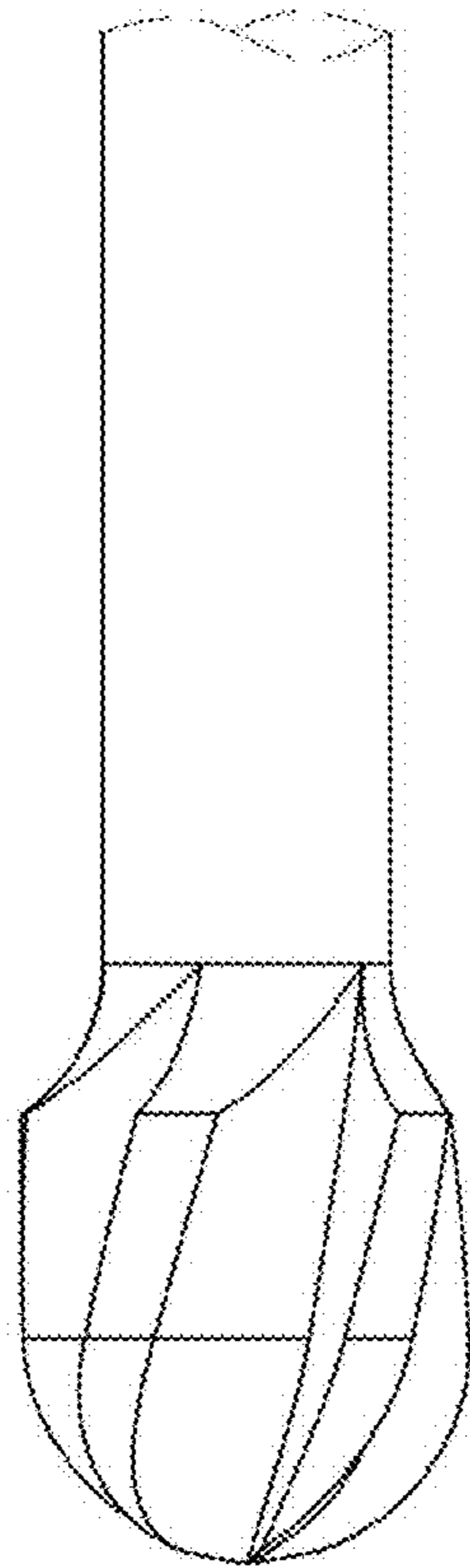


Fig.2

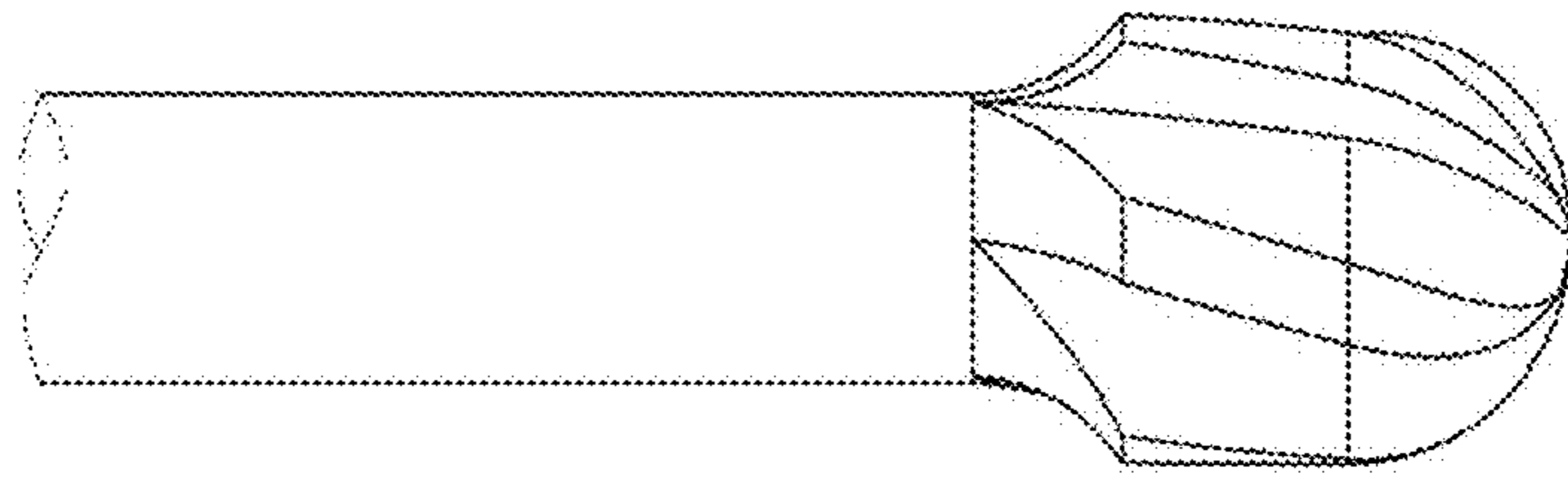


Fig.3

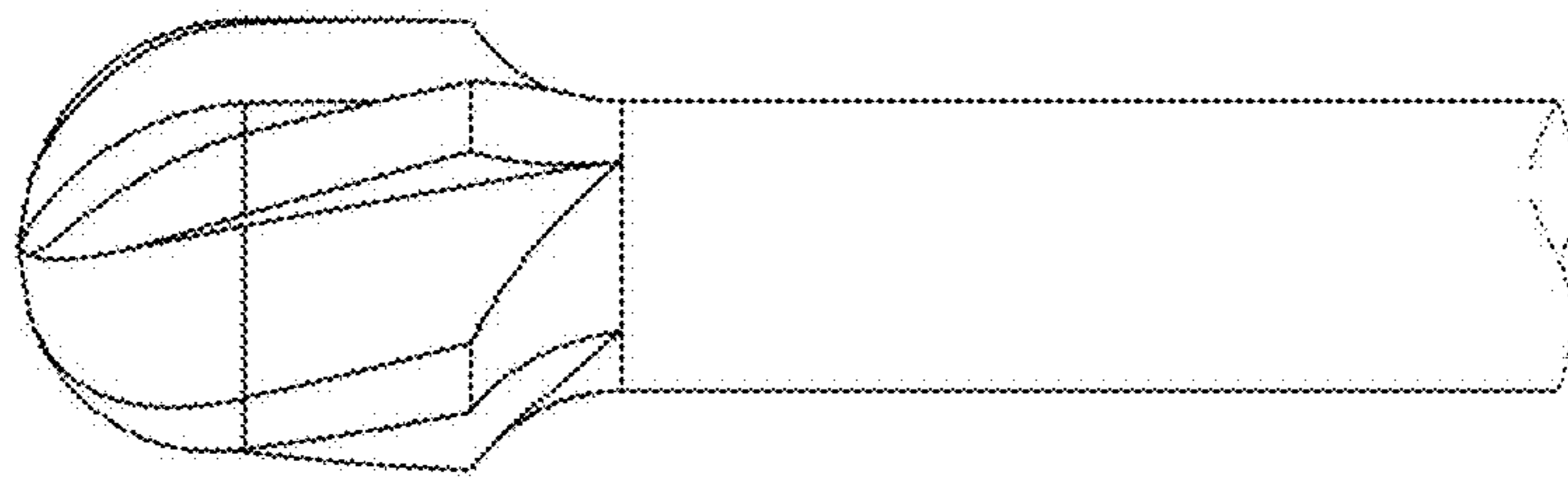


Fig.4

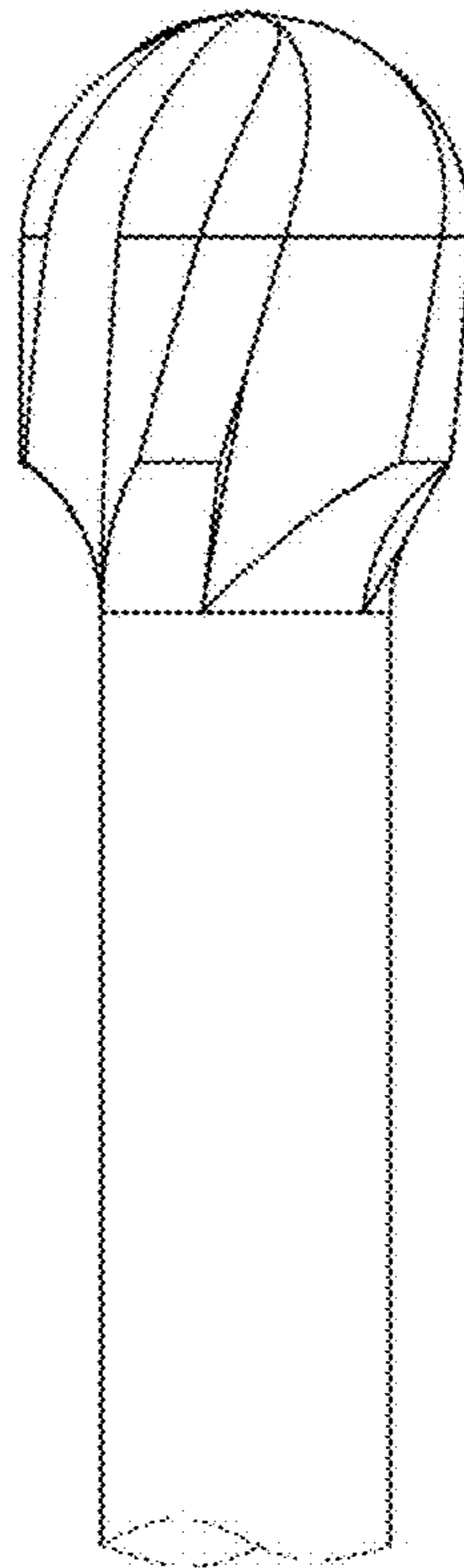


Fig.5

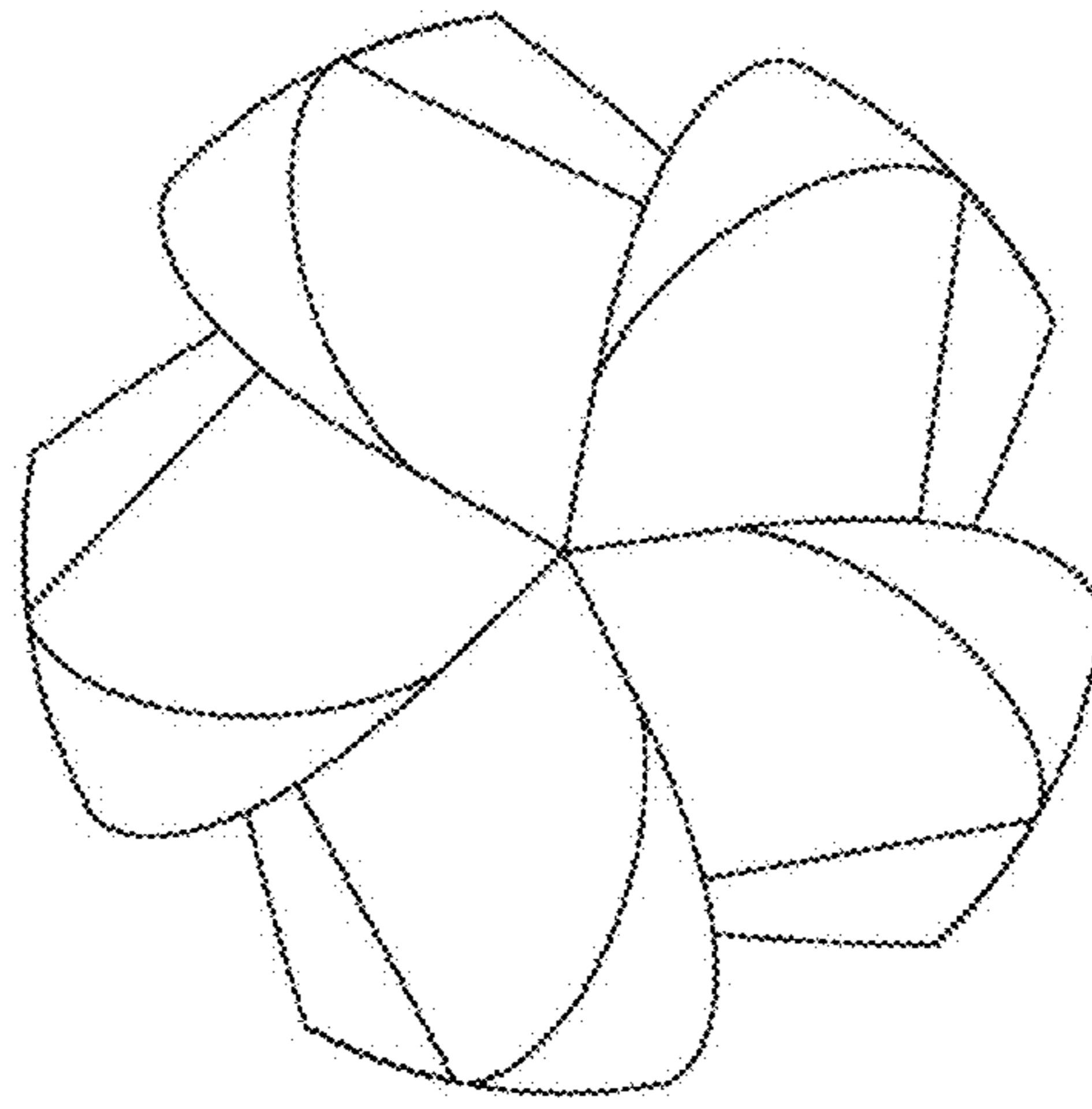


Fig.6

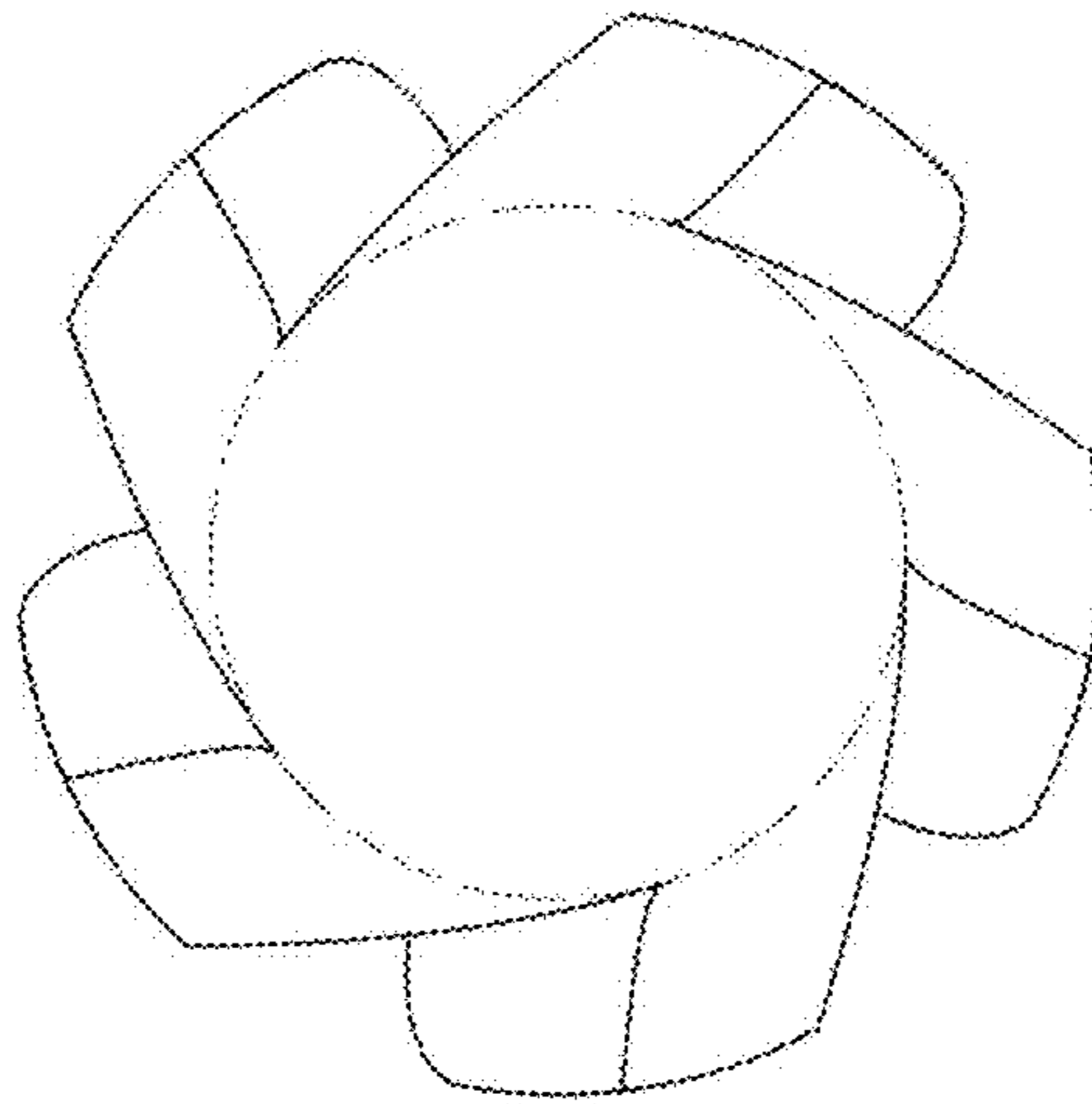


Fig.7

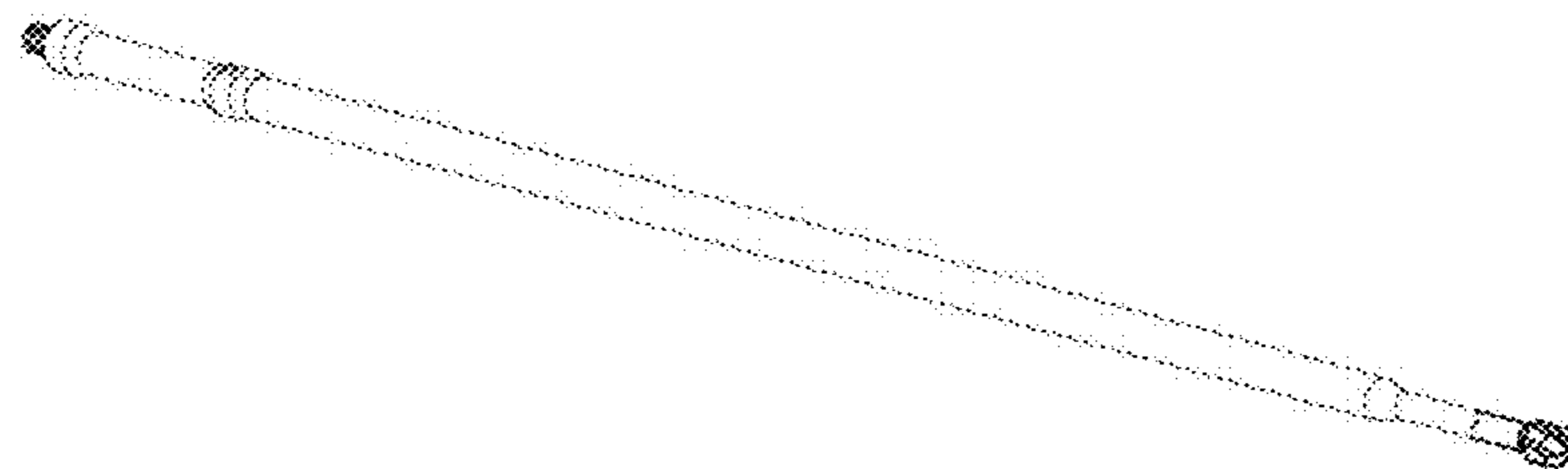


Fig.8