



US00D882081S

(12) **United States Design Patent** (10) **Patent No.:** **US D882,081 S**
Sun (45) **Date of Patent:** **** Apr. 21, 2020**

- (54) **DIGITAL OTOSCOPE CAMERA WITH USB CABLE**
- (71) Applicant: **Yingjie Sun**, Shenzhen (CN)
- (72) Inventor: **Yingjie Sun**, Shenzhen (CN)
- (**) Term: **15 Years**
- (21) Appl. No.: **29/627,674**
- (22) Filed: **Nov. 29, 2017**
- (51) **LOC (12) Cl.** **24-02**
- (52) **U.S. Cl.**
USPC **D24/137**
- (58) **Field of Classification Search**
USPC D24/137, 138, 151
CPC A61B 1/227
See application file for complete search history.

(56) **References Cited**

U.S. PATENT DOCUMENTS

3,110,304 A *	11/1963	Hartman	A61B 1/227 600/200
D238,099 S *	12/1975	Pulos	D24/137
D288,960 S *	3/1987	Riester	D24/137
D377,393 S *	1/1997	Sams	D24/137
D423,668 S *	4/2000	Coe	D24/137
D709,191 S *	7/2014	Wood	D24/137
D776,810 S *	1/2017	Tseng	D24/137
D802,130 S *	11/2017	Im	D24/137

* cited by examiner

Primary Examiner — Eliza Z Bennett-Hattan
(74) *Attorney, Agent, or Firm* — Dunlap Bennett & Ludwig PLLC

(57) **CLAIM**
The ornamental design for a digital otoscope camera with USB cable, as shown and described.

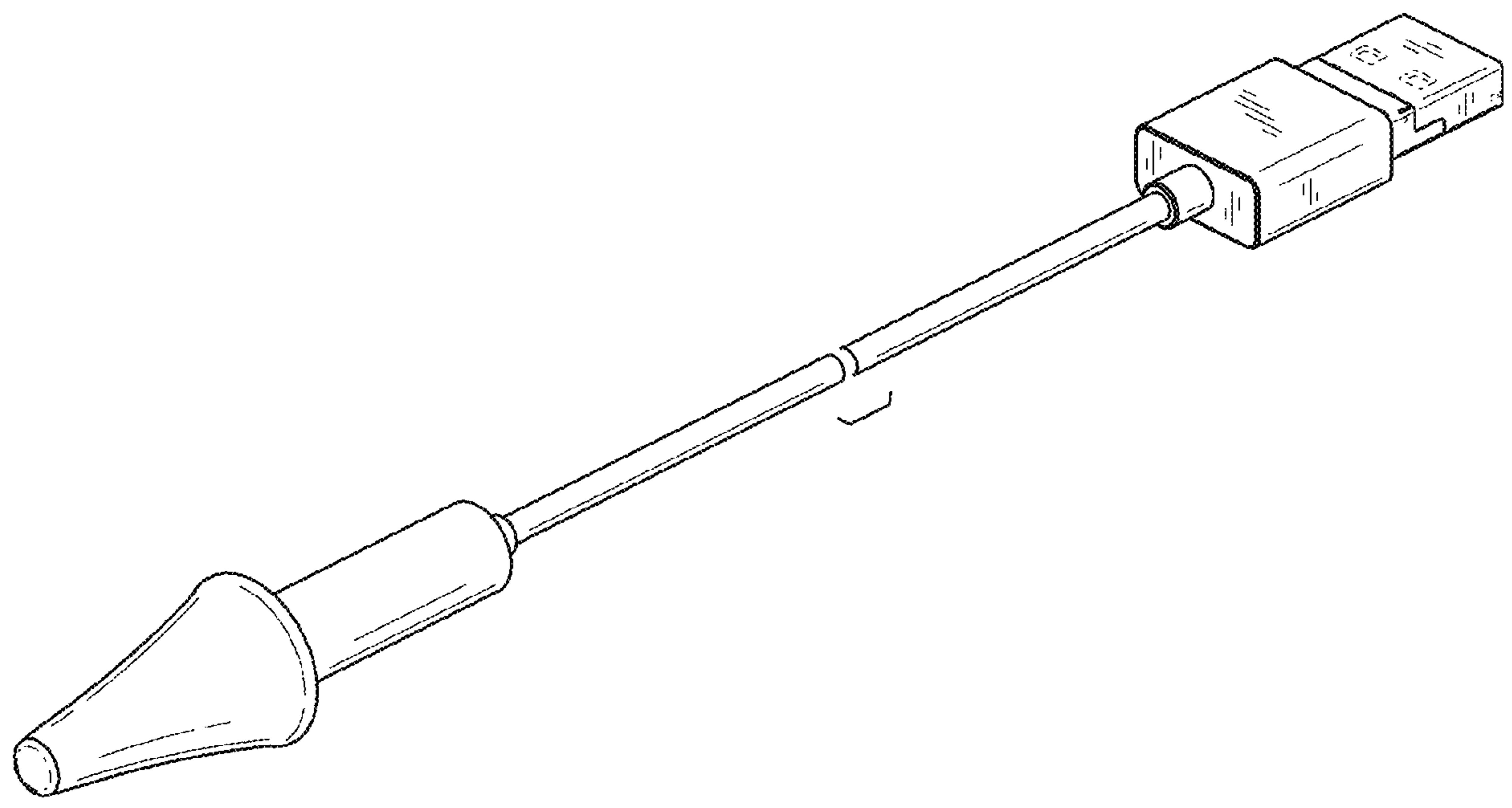
DESCRIPTION

FIG. 1 is a front perspective view of a digital otoscope camera with USB cable, showing my new design; FIG. 2 is a front elevation view thereof; FIG. 3 is a rear elevation view thereof; FIG. 4 is a left side elevation view thereof, the right side elevation view being a mirror image thereof; FIG. 5 is a top plan view thereof; and, FIG. 6 is a bottom plan view thereof.

The broken lines consisting of evenly spaced lines in the drawings depict parts of the digital otoscope camera with USB cable that form no part of the claimed design, while the broken lines consisting of dash-dot-dash lines in the drawings depict the boundary of the claimed invention and it is understood that the claim extends to the boundary that forms no part of the claimed design.

The USB cable is shown with symbolic breaks in its lengths. The appearance of any portion of the article between the break lines forms not part of the claimed design.

1 Claim, 3 Drawing Sheets



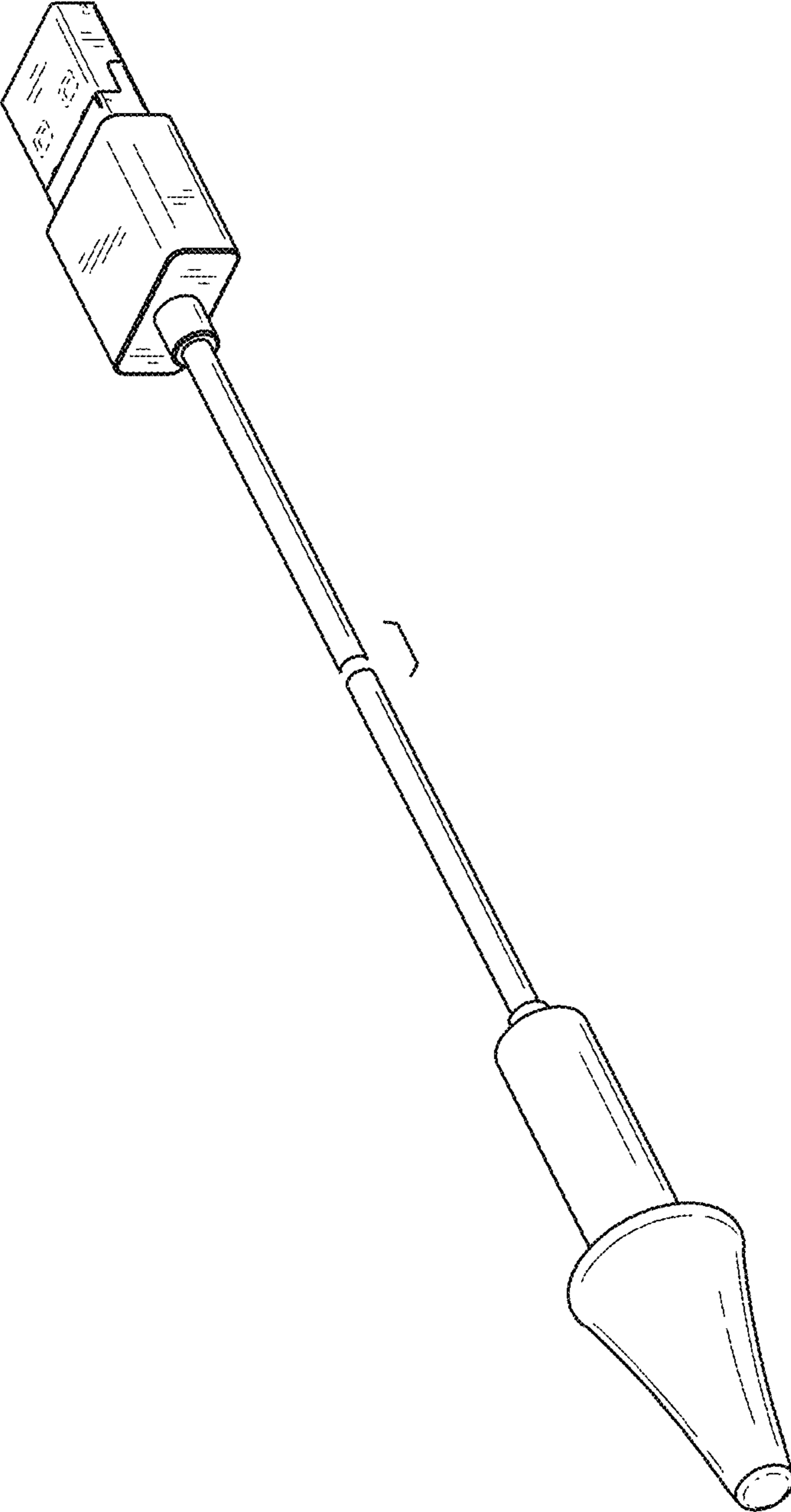


FIG. 1

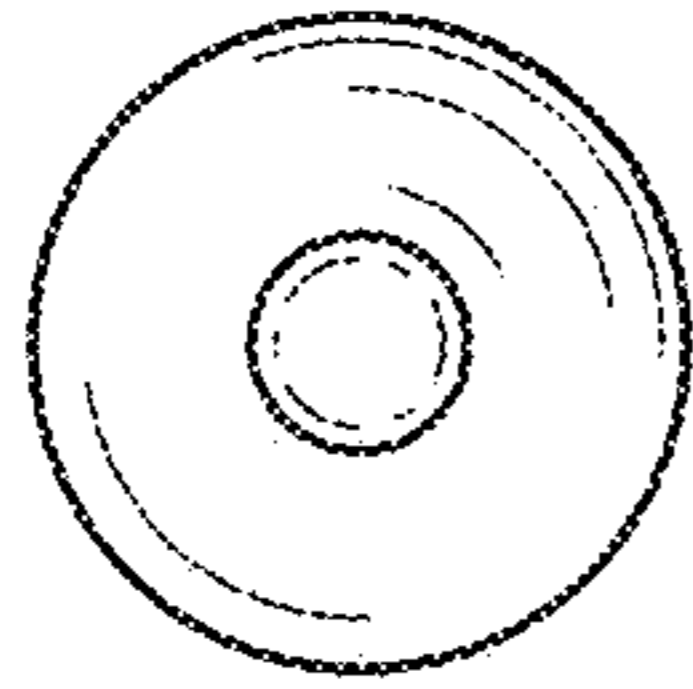


FIG. 2

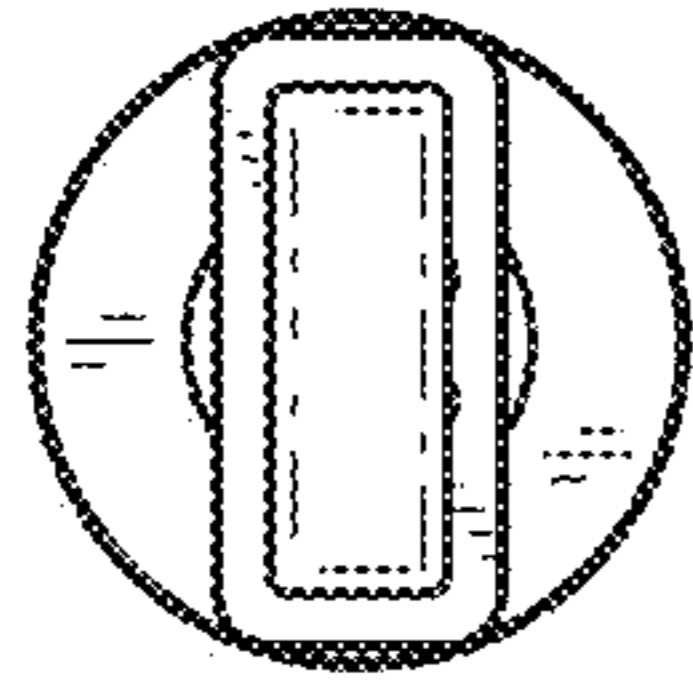


FIG. 3

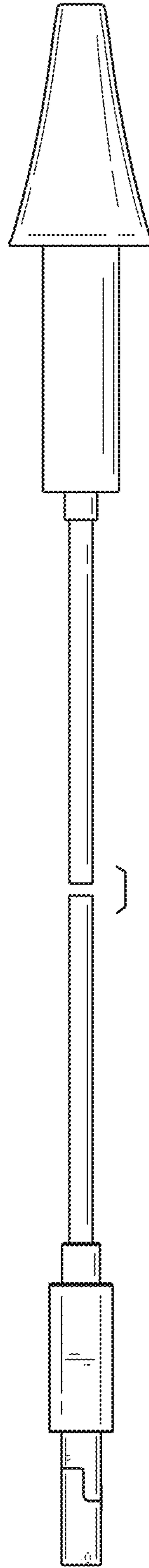


FIG. 4

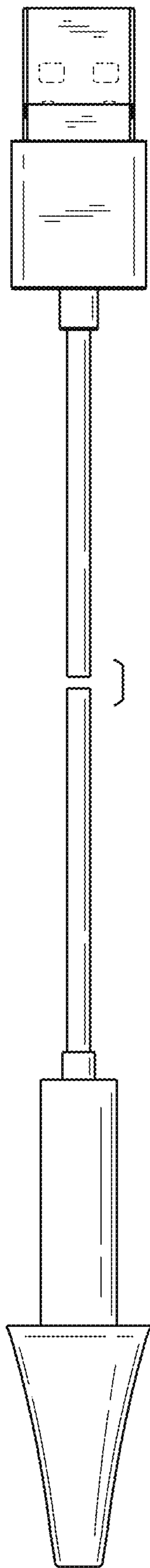


FIG. 5

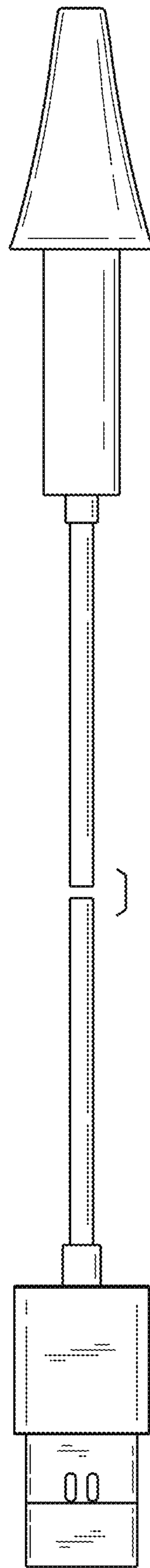


FIG. 6