



US00D882077S

(12) **United States Design Patent**
Schmitt

(10) **Patent No.:** **US D882,077 S**

(45) **Date of Patent:** **** Apr. 21, 2020**

(54) **CONNECTOR**

(71) Applicant: **Xpella (PTY) Ltd.**, Fourways (ZA)

(72) Inventor: **Karl-Heinz Schmitt**, Fourways (ZA)

(73) Assignee: **XPELLA (PTY) LTD.**, Fourways (ZA)

(**) Term: **15 Years**

(21) Appl. No.: **29/657,550**

(22) Filed: **Jul. 24, 2018**

(30) **Foreign Application Priority Data**

Jan. 31, 2018 (ZA) F2018/00169

(51) **LOC (12) Cl.** **24-02**

(52) **U.S. Cl.**
USPC **D24/129**

(58) **Field of Classification Search**
USPC D24/127-131, 112-114, 133, 186;
606/181, 185; 604/264, 523-528, 272,
604/187, 158, 164.01-164.11, 181, 184,
604/227; 600/101, 139, 143;
128/200.24, 207.14, 207.15
CPC A61M 39/10; A61M 39/24
See application file for complete search history.

(56) **References Cited**

U.S. PATENT DOCUMENTS

- D246,380 S * 11/1977 Boothby D24/222
- 5,601,559 A * 2/1997 Melker A61B 17/3472
- 604/264
- D386,260 S * 11/1997 Polaniec D24/112
- D468,832 S * 1/2003 Petrek D24/222
- D518,178 S * 3/2006 Christiansen D24/133
- D577,439 S * 9/2008 Doubler D24/145

- D589,617 S * 3/2009 Carter D24/146
- D663,042 S * 7/2012 Motadel D24/222
- D679,828 S * 4/2013 Motadel D24/222
- D721,574 S * 1/2015 Doughty D8/400
- D728,099 S * 4/2015 Schad D24/146
- D736,373 S * 8/2015 Weishaupt D24/146
- D772,407 S * 11/2016 Zhang D24/133
- D788,295 S * 5/2017 Holmstrom D24/130
- D788,314 S * 5/2017 Ando D24/222
- D794,177 S * 8/2017 Lebedenko D24/112
- D805,164 S * 12/2017 Norman D23/259
- D806,861 S * 1/2018 Amano D24/112
- D812,751 S * 3/2018 Richter D24/146
- D841,182 S * 2/2019 Mizutani D24/222
- D846,116 S * 4/2019 Naughton D24/130
- D846,143 S * 4/2019 Ito D24/222
- D859,651 S * 9/2019 Harding D24/130
- D861,161 S * 9/2019 Schuessler D24/129
- 2006/0225741 A1 * 10/2006 Rothman A61M 16/04
- 128/207.14
- 2009/0157007 A1 * 6/2009 McKinnon A61M 25/0014
- 604/177

* cited by examiner

Primary Examiner — Nathan M Johnston

(74) *Attorney, Agent, or Firm* — Tutunjian & Bitetto, P.C.

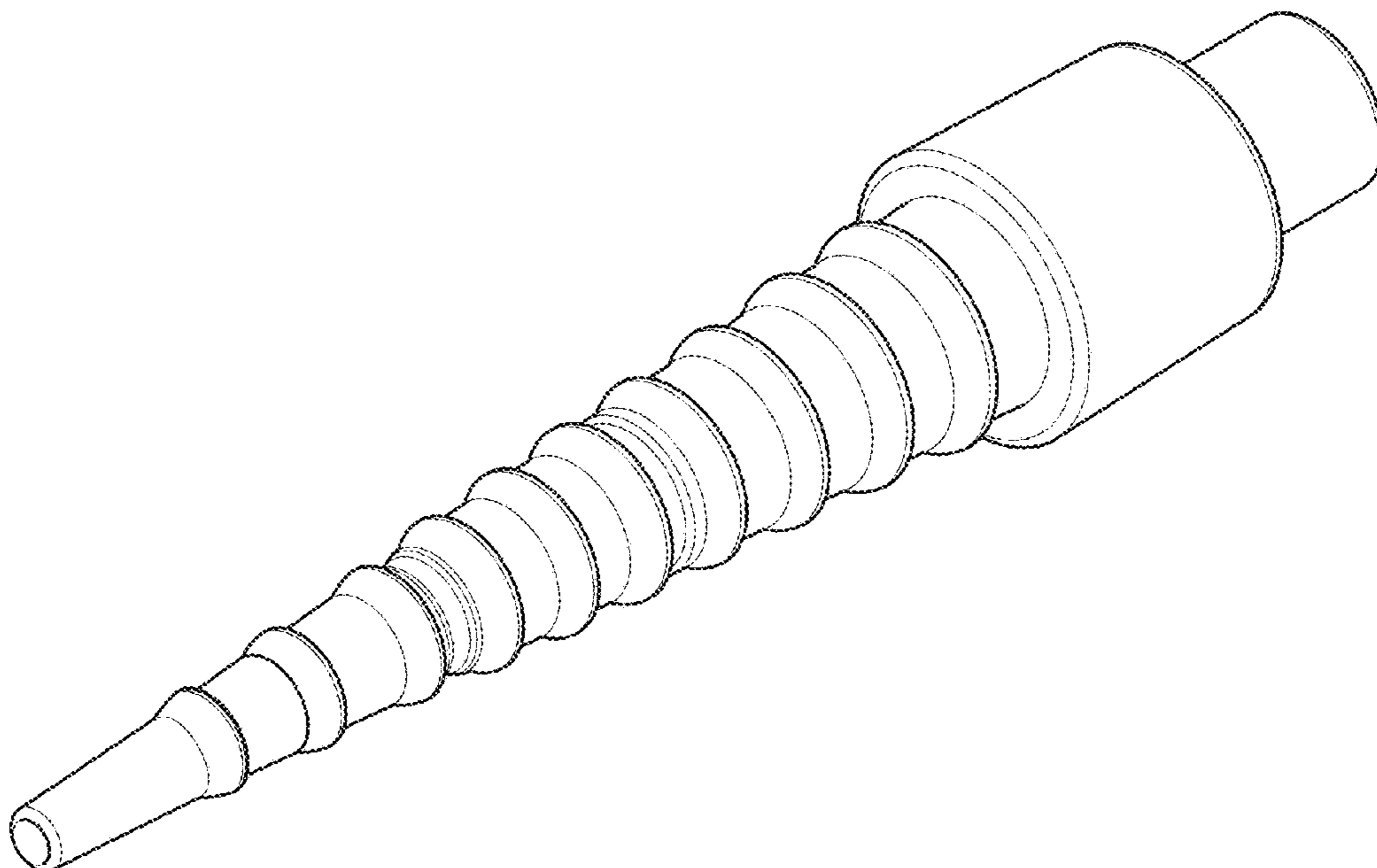
(57) **CLAIM**

The ornamental design for a connector, as shown and described.

DESCRIPTION

FIG. 1 is a perspective view of the connector showing my design;
FIG. 2 is a side view of thereof, all sides, top and bottom views being identical to each other;
FIG. 3 is a front view thereof;
FIG. 4 is a rear view thereof; and,
FIG. 5 is a cross-sectional view thereof.

1 Claim, 3 Drawing Sheets



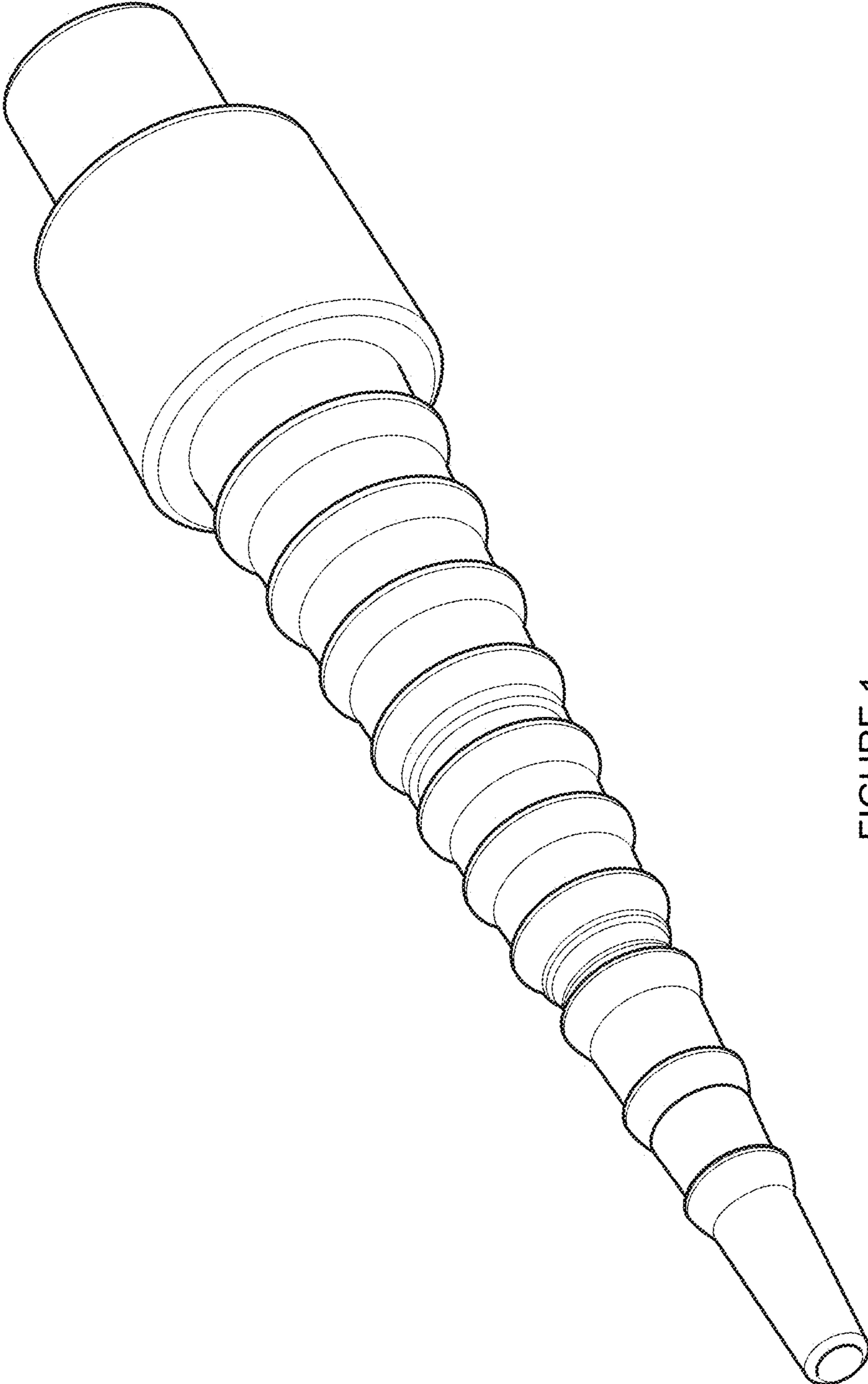


FIGURE 1

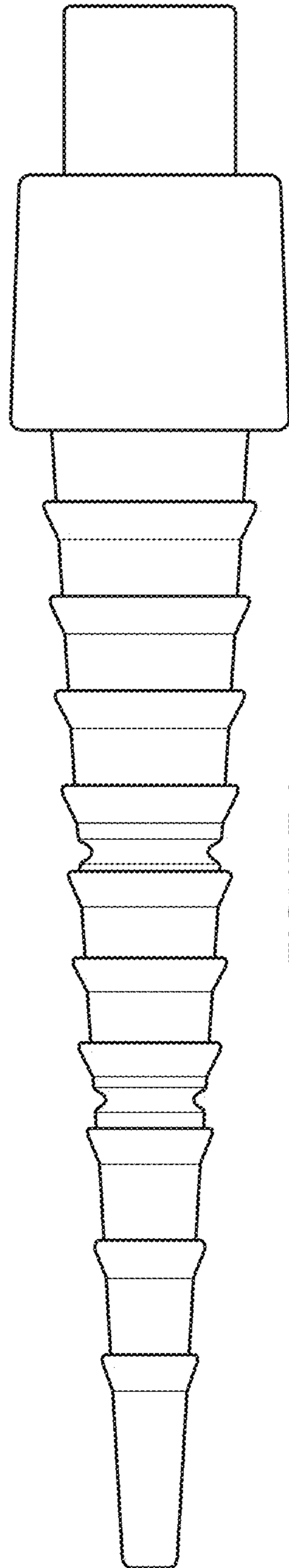


FIGURE 2

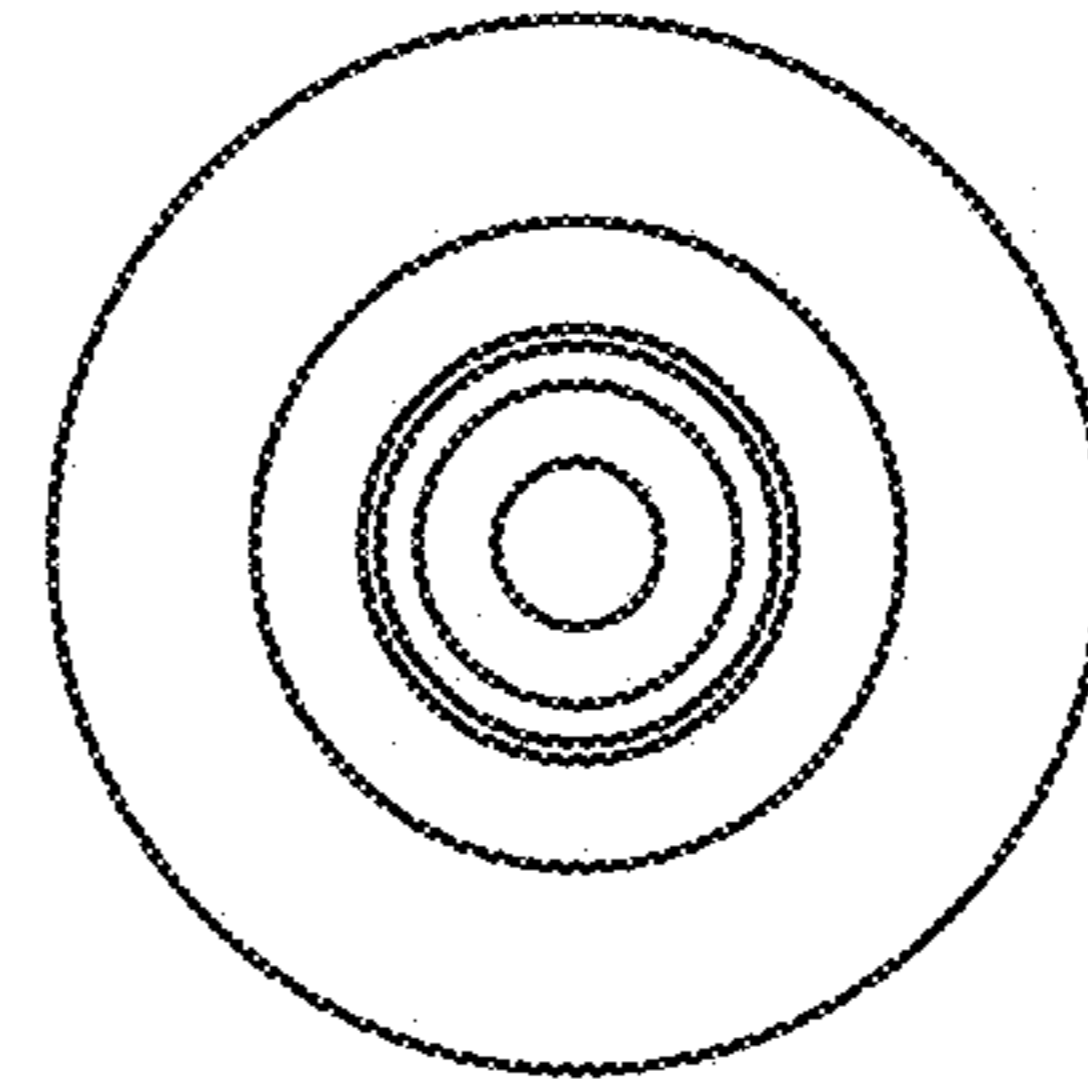


FIGURE 4

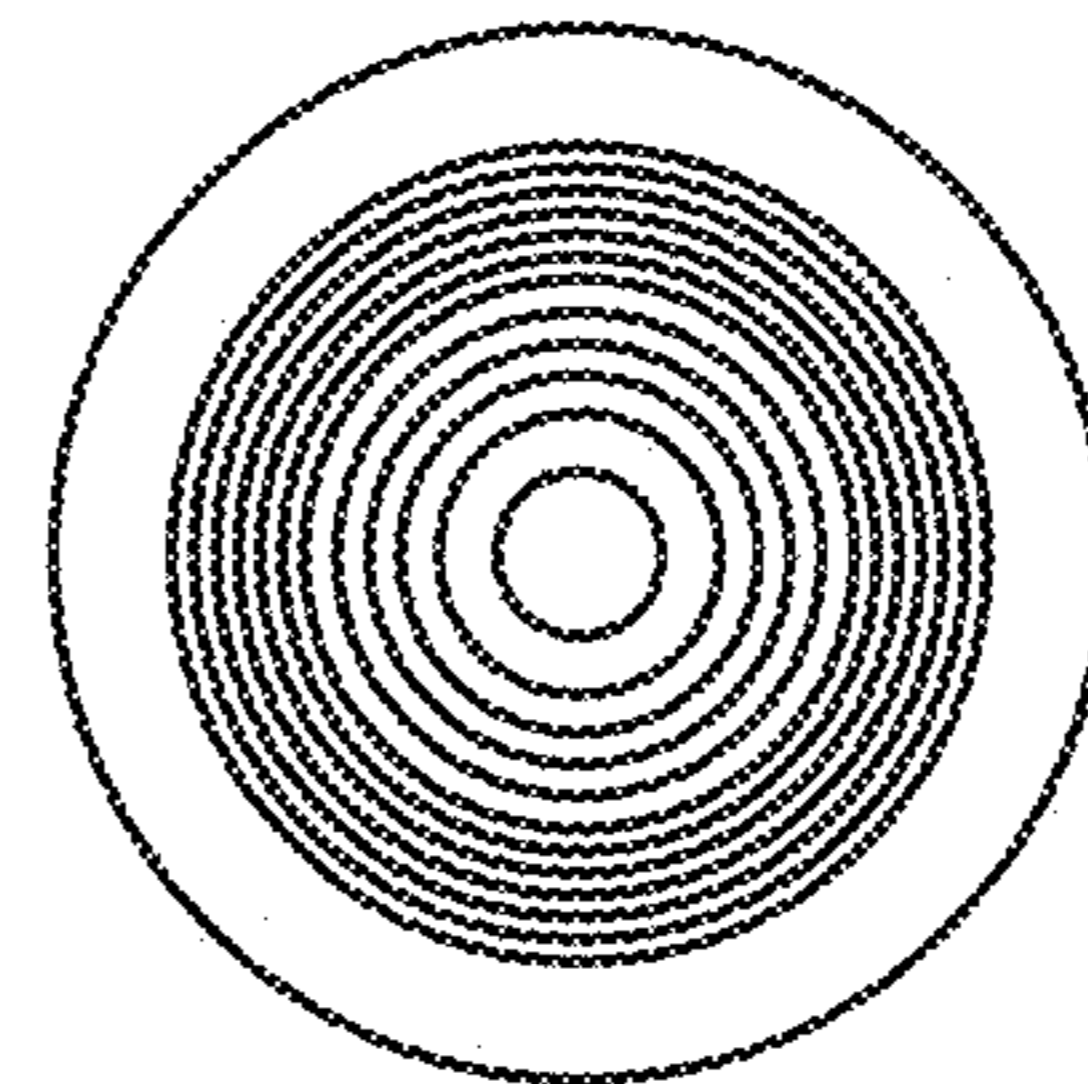


FIGURE 3

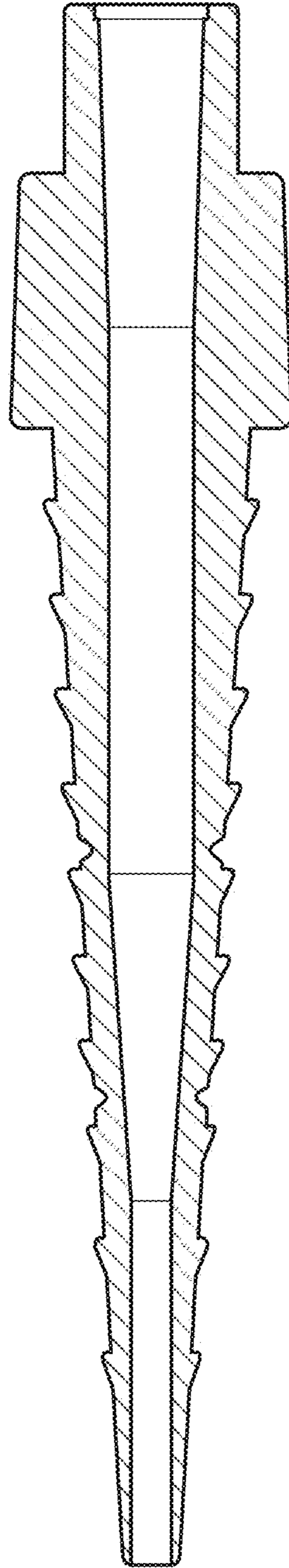


FIGURE 5