



US00D882075S

(12) **United States Design Patent**
Kokubo

(10) **Patent No.:** **US D882,075 S**

(45) **Date of Patent:** **** Apr. 21, 2020**

(54) **CHILD-PROOF CAP FOR AN EYE DROP CONTAINER**

Primary Examiner — Samantha Q Lawrence

(74) *Attorney, Agent, or Firm* — Kenja IP Law PC

(71) Applicant: **Rohto Pharmaceutical Co., Ltd.**,
Osaka (JP)

(57) **CLAIM**

(72) Inventor: **Shigehiko Kokubo**, Osaka (JP)

The ornamental design for a child-proof cap for an eye drop container, as shown and described.

(73) Assignee: **Rohto Pharmaceutical Co., Ltd.**,
Osaka (JP)

(**) Term: **15 Years**

DESCRIPTION

(21) Appl. No.: **29/661,439**

FIG. 1 is a front view of a child-proof cap for an eye drop container showing my new design;

(22) Filed: **Aug. 28, 2018**

FIG. 2 is a front view of the design of FIG. 1 shown in a position of use attached to an exemplary eye drop container;

Related U.S. Application Data

(62) Division of application No. 29/581,607, filed on Oct. 20, 2016, now Pat. No. Des. 841,153.

FIG. 3 is an exploded front view thereof, showing the cap comprising the turnable upper component and the base component, detached from an exemplary eye drop container;

(30) **Foreign Application Priority Data**

Apr. 21, 2016 (JP) 2016-008869

FIG. 4 is a top view thereof;

(51) **LOC (12) Cl.** **24-02**

FIG. 5 is a bottom view thereof;

(52) **U.S. Cl.**

USPC **D24/127**

FIG. 6 is a right side view thereof;

(58) **Field of Classification Search**

USPC D24/110, 115, 116, 117, 118, 121, 127, D24/129, 146, 147; D9/435, 444, 558,
(Continued)

FIG. 7 is a front perspective view thereof, showing the upper component of the cap is turned at an angle;

(56) **References Cited**

U.S. PATENT DOCUMENTS

2,375,636 A 5/1945 Eddins

2,516,818 A 7/1950 West

(Continued)

FIG. 8 is a front view thereof, showing the upper component of the cap is turned at an angle;

FIG. 9 is a right side view thereof, showing the upper component of the cap is turned at an angle;

FIG. 10 is a top view thereof, showing the upper component of the cap is turned at an angle; and,

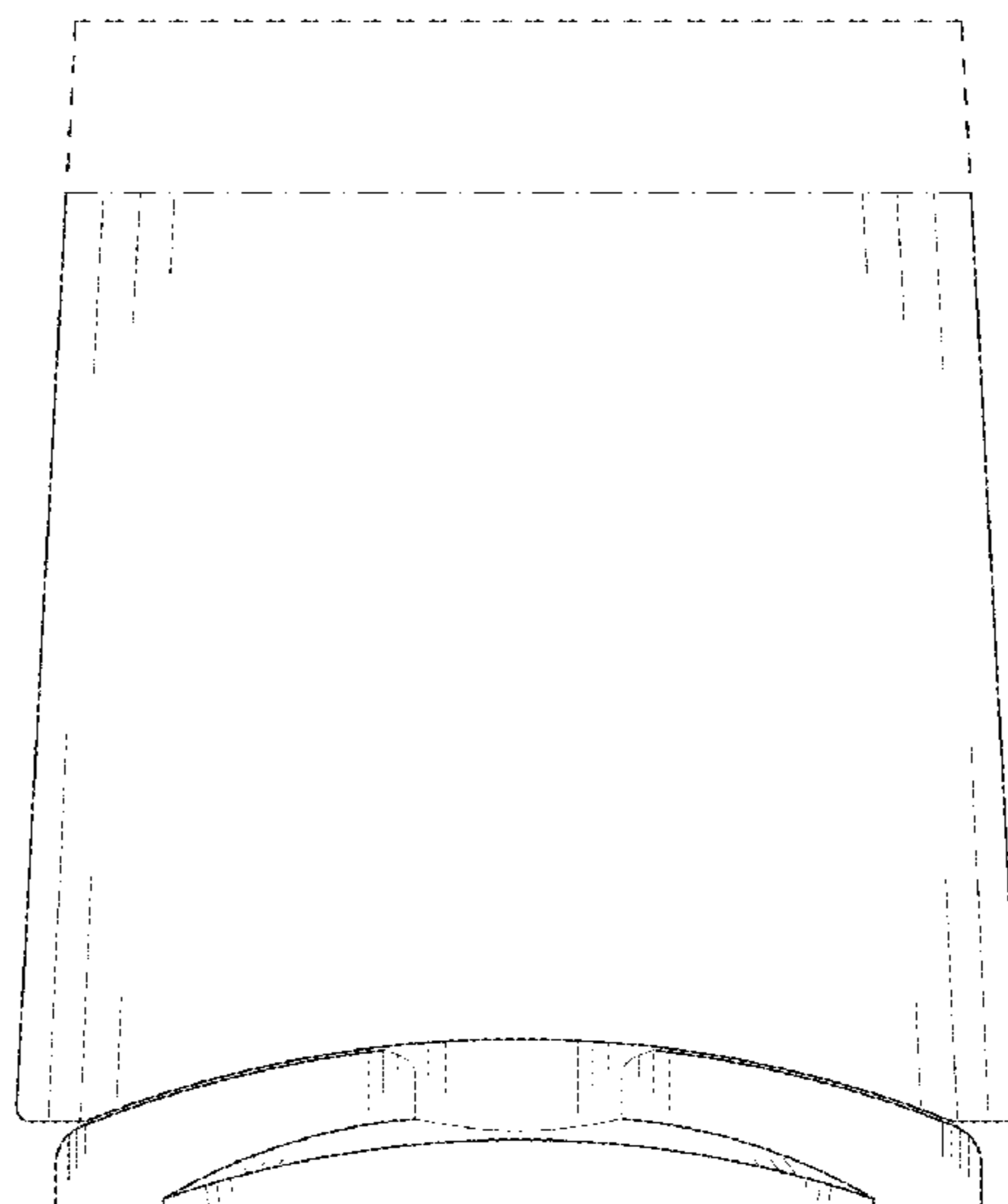
FIG. 11 is a bottom view thereof, showing the upper component of the cap is turned at an angle.

The broken lines shown in FIGS. 1-11 illustrate portions of the child-proof cap for an eye drop container that form no part of the claimed design. The broken lines shown in FIGS. 2 and 3 that illustrate the eye drop container illustrate environment and form no part of the claimed design. The dash-dot-dash lines directly adjacent to the claimed areas shown in FIGS. 1-4 and 6-10 illustrate a boundary and form no part of the claimed design.

FOREIGN PATENT DOCUMENTS

JP 2006335454 A 12/2006

1 Claim, 11 Drawing Sheets



- (58) **Field of Classification Search**
 USPC D9/574, 504, 516, 529, 544, 549;
 215/273, 283, 285, 329; 220/212
 CPC A61F 9/0008; A61F 9/0026; A61F
 2230/0091; A61F 2250/0004; B65D
 47/18; A61H 35/02; A61M 35/003; A61M
 35/00

See application file for complete search history.

(56) **References Cited**

U.S. PATENT DOCUMENTS

3,171,136 A 3/1965 Gibson
 3,450,289 A * 6/1969 Esposito, Jr. B65D 50/048
 215/214
 3,679,085 A * 7/1972 Gach B65D 50/041
 215/220
 4,909,801 A 3/1990 Casey et al.
 D336,614 S 6/1993 Crawford
 5,485,872 A 1/1996 Kerger
 5,542,532 A * 8/1996 Mitchell B65D 43/0231
 206/308.1
 5,901,867 A * 5/1999 Mattson B65D 51/1616
 215/261
 D415,037 S 10/1999 Pritchard et al.
 D463,291 S 9/2002 Kokubo et al.
 D463,984 S 10/2002 Kokubo et al.
 D527,640 S 9/2006 Cummings et al.

D527,815 S 9/2006 Nishibayashi et al.
 D527,816 S 9/2006 Nishibayashi et al.
 D527,817 S 9/2006 Ziegler et al.
 D528,654 S 9/2006 Nishibayashi et al.
 D541,164 S 4/2007 Yamasaki et al.
 D546,442 S 7/2007 Collins et al.
 D546,939 S 7/2007 Collins et al.
 D552,230 S 10/2007 Collins et al.
 D552,232 S 10/2007 Collins et al.
 D552,730 S 10/2007 Collins et al.
 D597,410 S 8/2009 Carmody et al.
 D613,395 S 4/2010 Nakao et al.
 D613,397 S 4/2010 Nakao et al.
 D628,490 S 12/2010 Sato et al.
 D693,690 S 11/2013 Wakui
 D733,288 S 6/2015 Althorpe et al.
 D793,546 S * 8/2017 Ahern D24/110
 D814,298 S * 4/2018 Ramon D9/444
 D824,260 S * 7/2018 Braun D9/529
 D830,835 S * 10/2018 Keller D9/529
 D840,821 S * 2/2019 Kokubo D9/529
 D841,153 S * 2/2019 Kokubo D24/127
 D846,389 S * 4/2019 Langen D9/444
 2009/0281508 A1 * 11/2009 Alvino A61F 9/0026
 604/295
 2011/0024426 A1 2/2011 Kokubo
 2011/0031207 A1 2/2011 Kokubo
 2016/0009465 A1 * 1/2016 Pan B65D 51/28
 220/212

* cited by examiner

FIG. 1

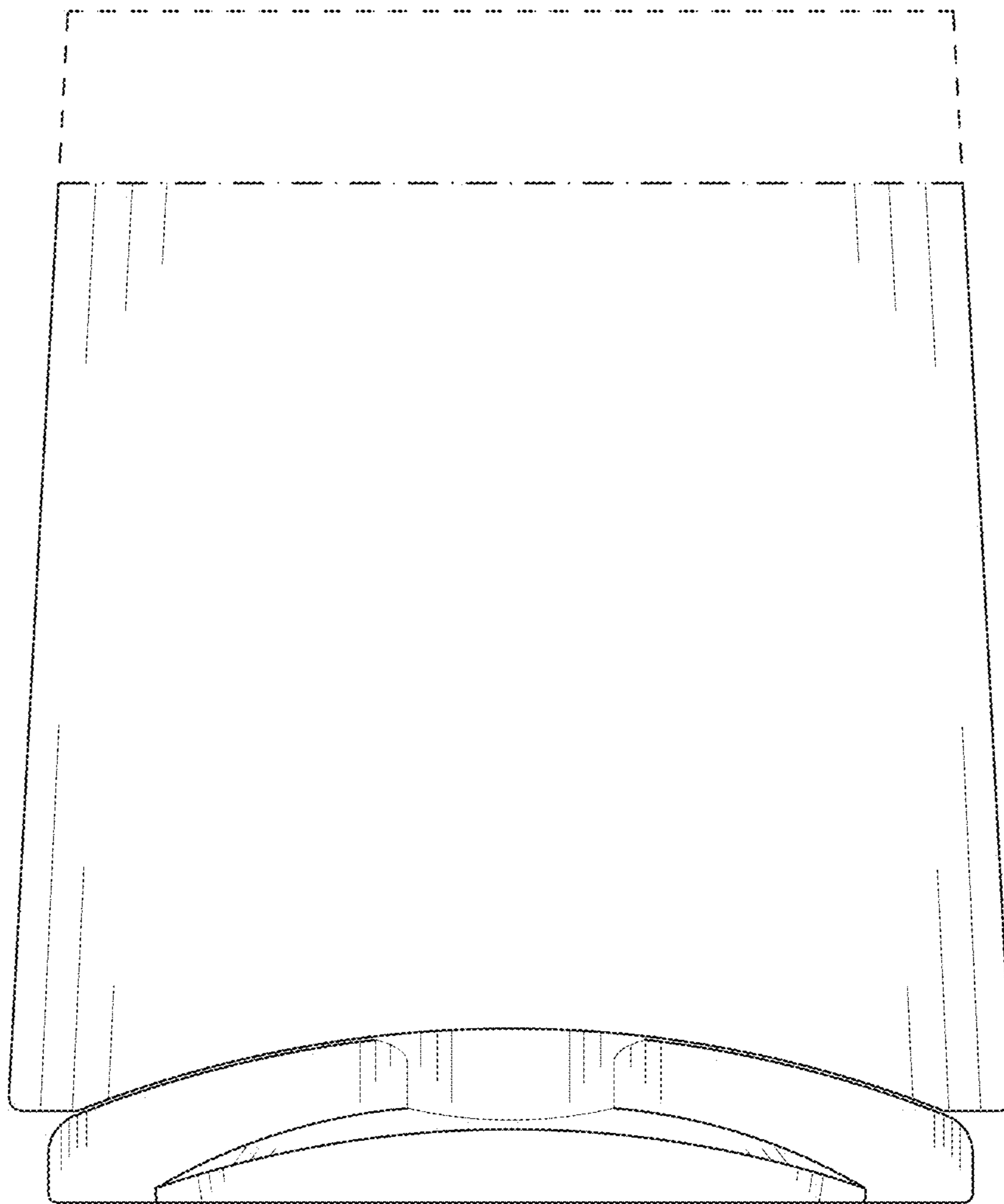


FIG. 2

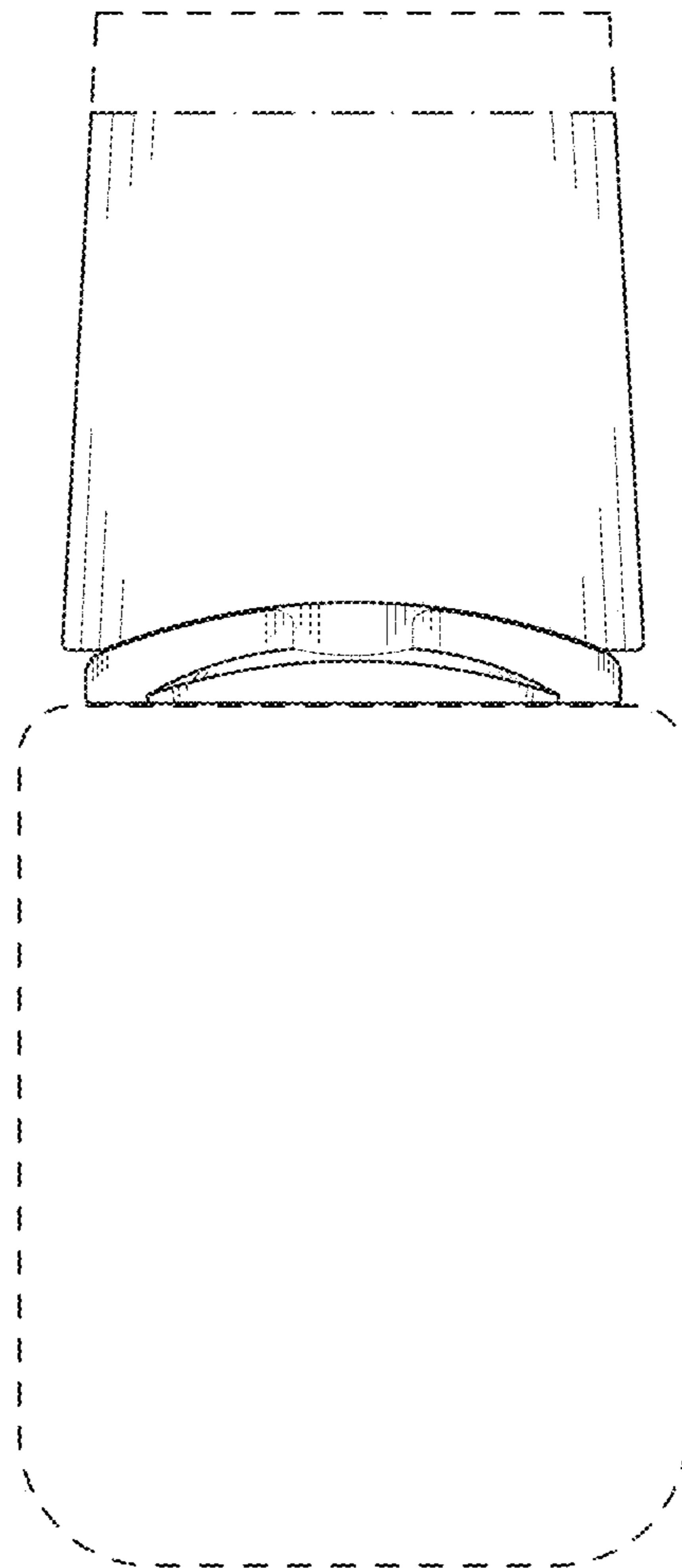


FIG. 3

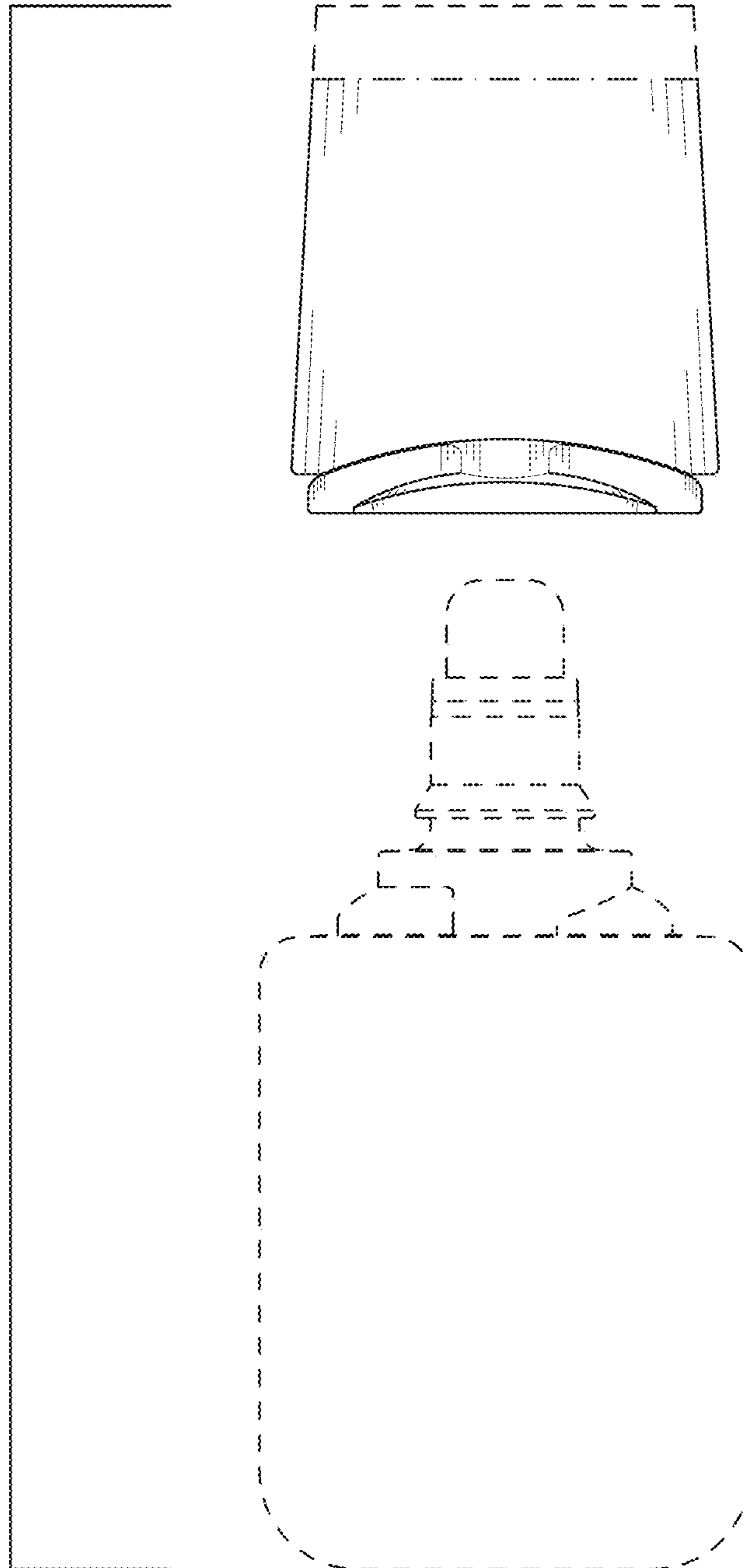


FIG. 4

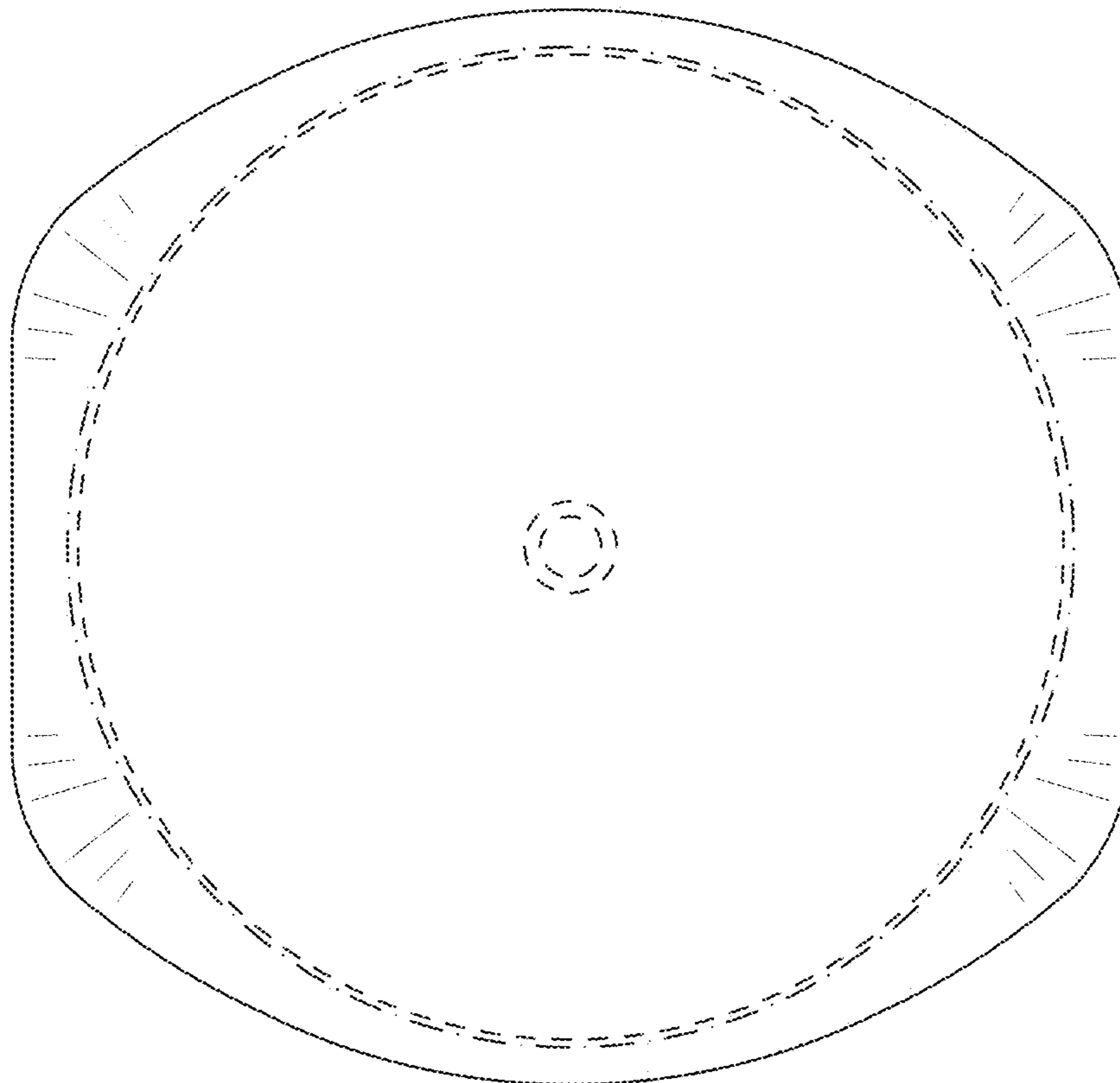


FIG. 5

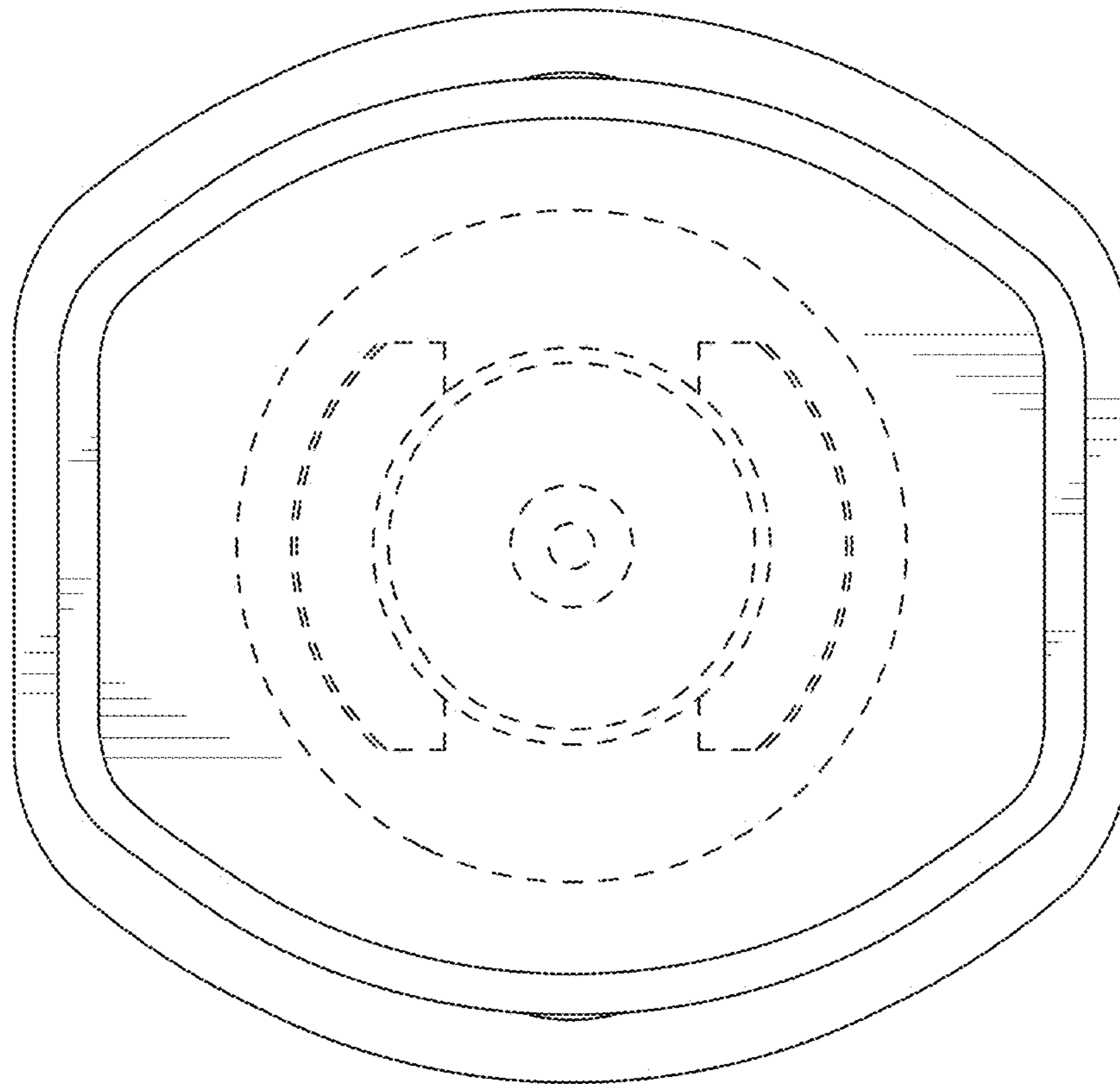


FIG. 6

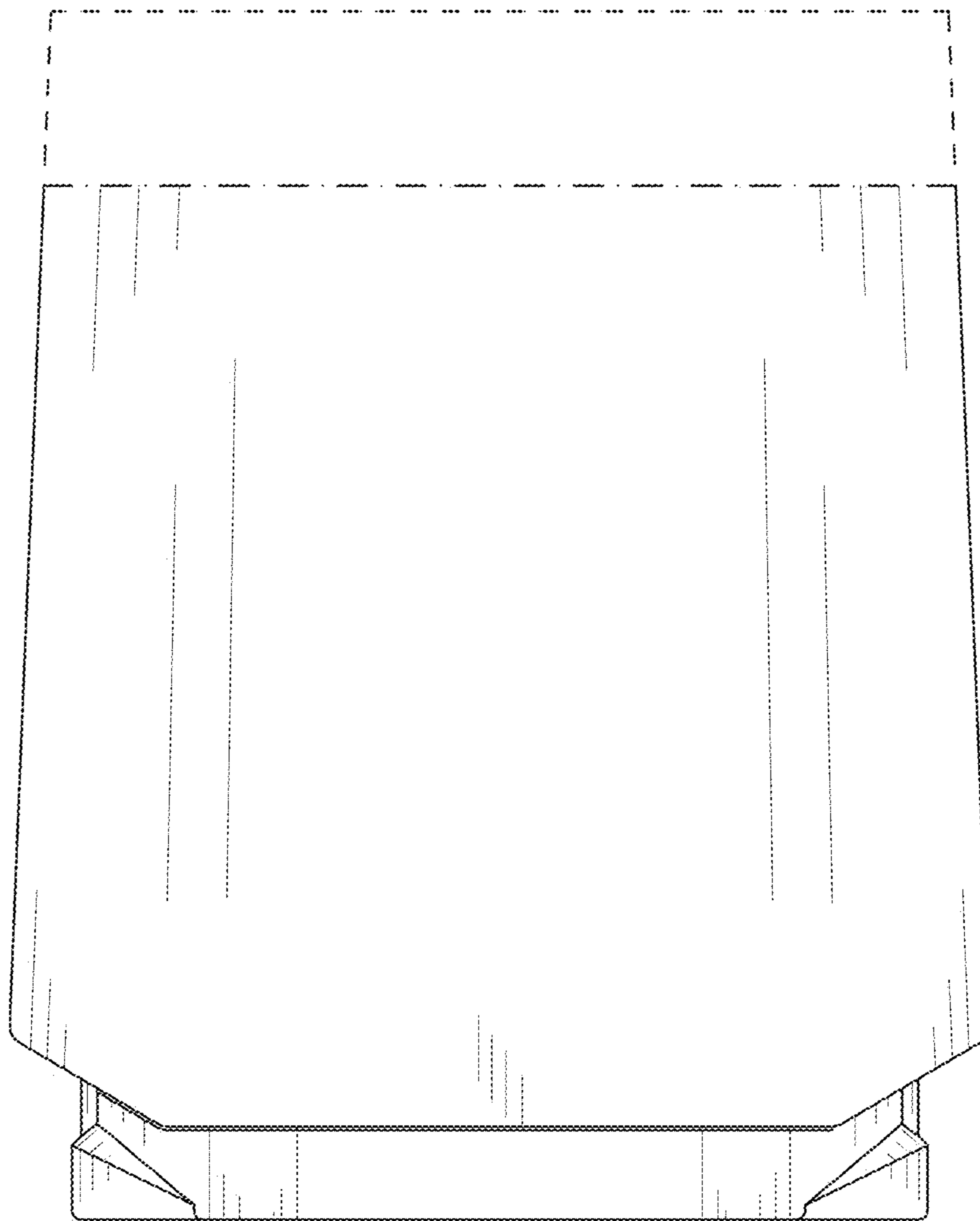


FIG. 7

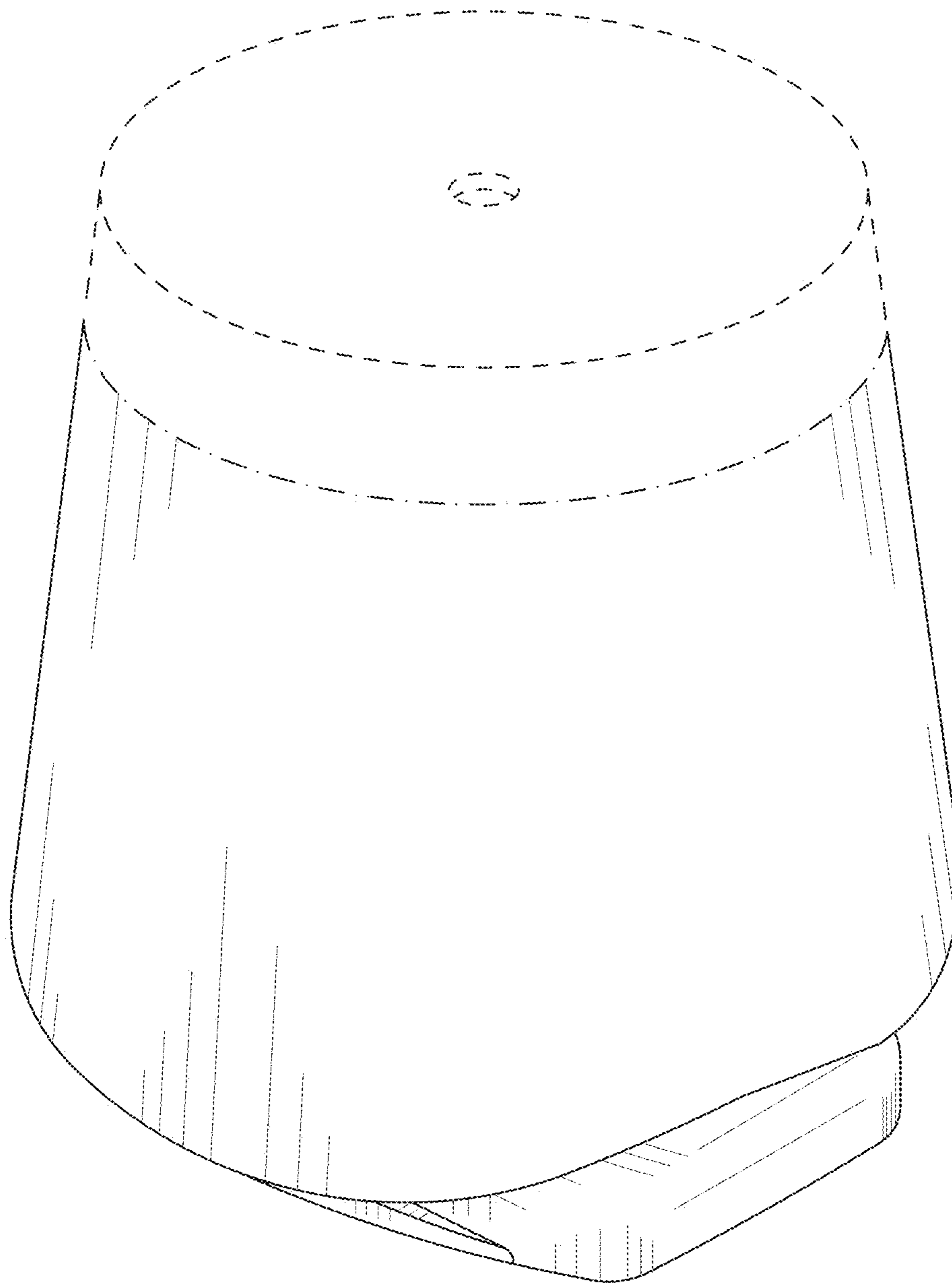


FIG. 8

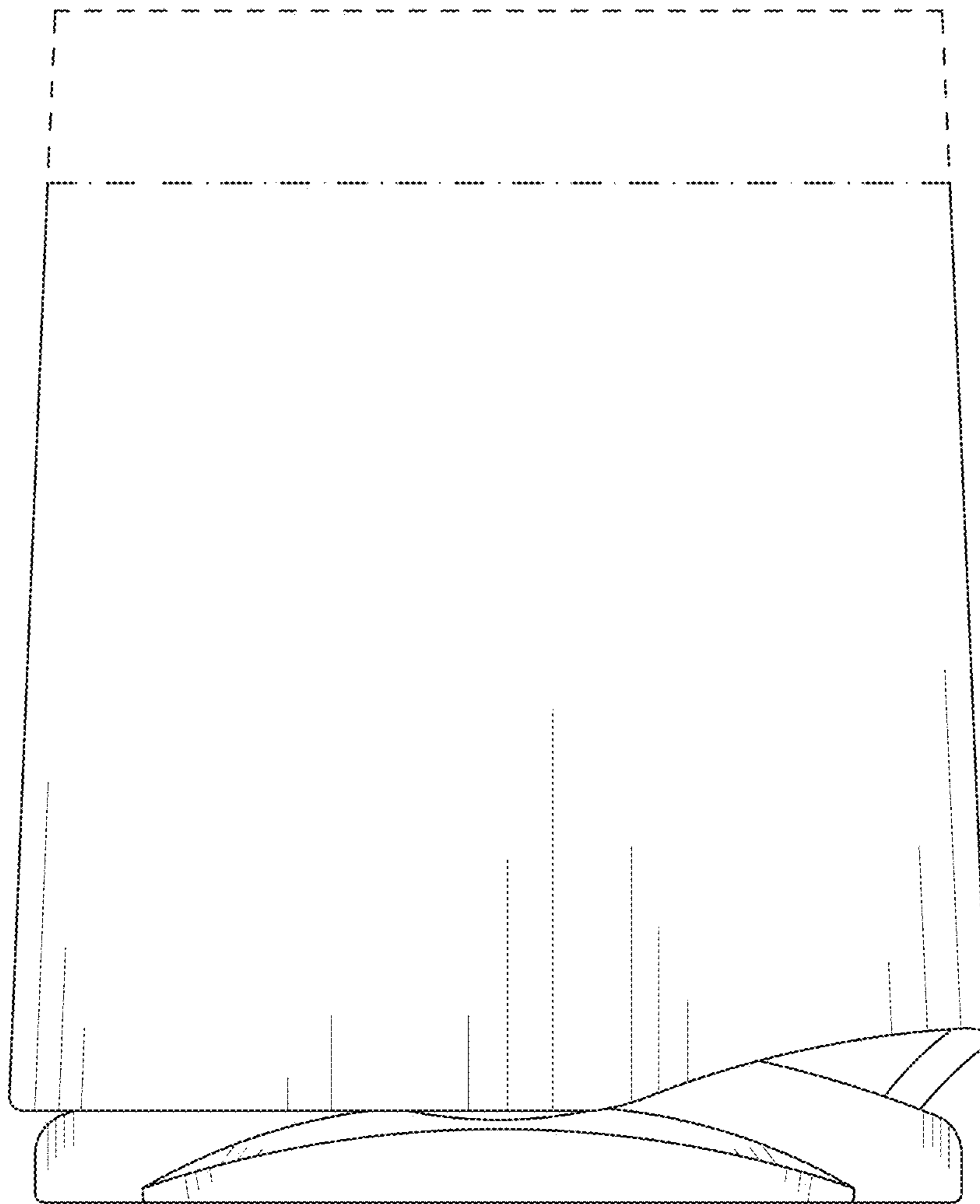


FIG. 9

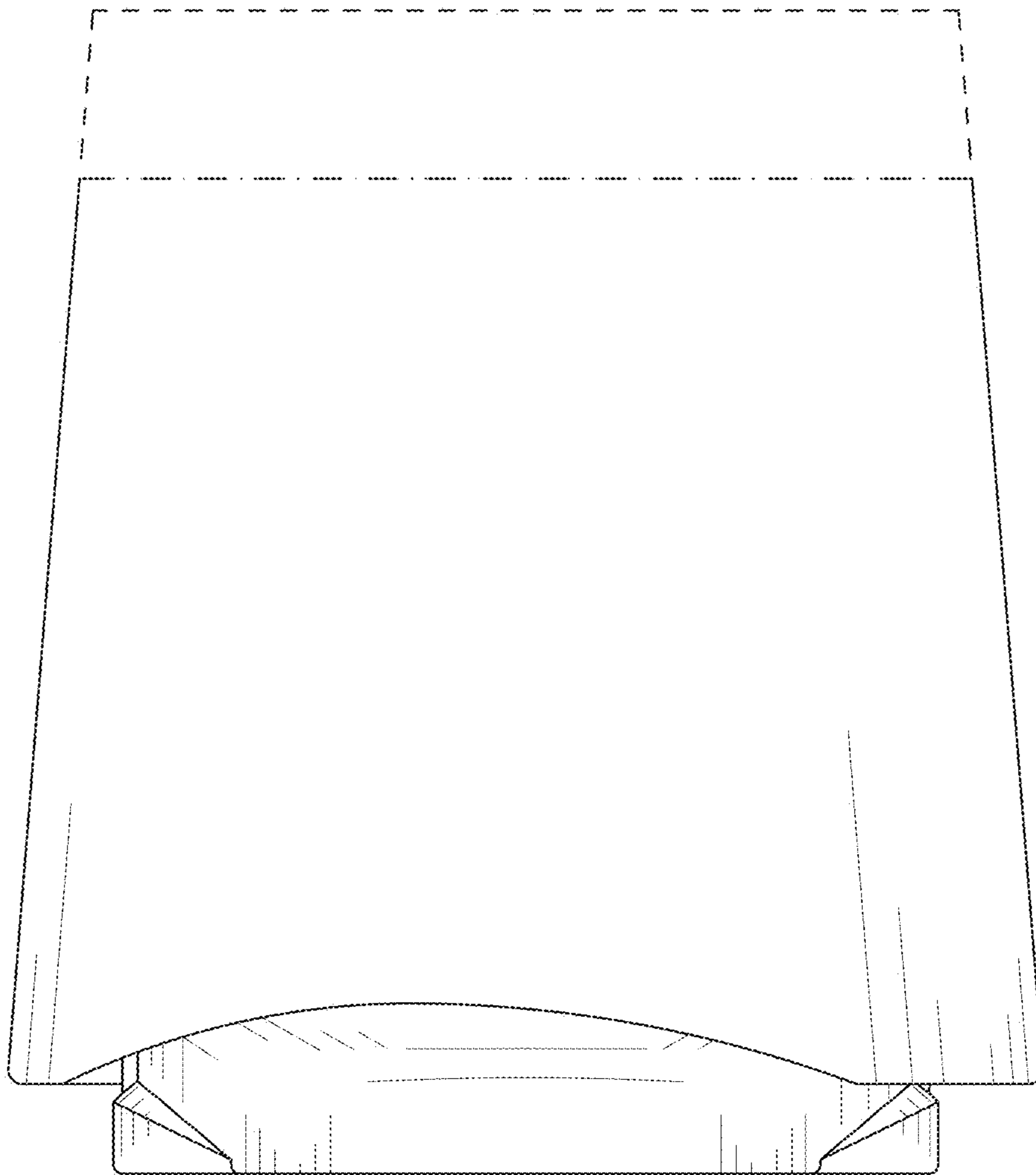


FIG. 10

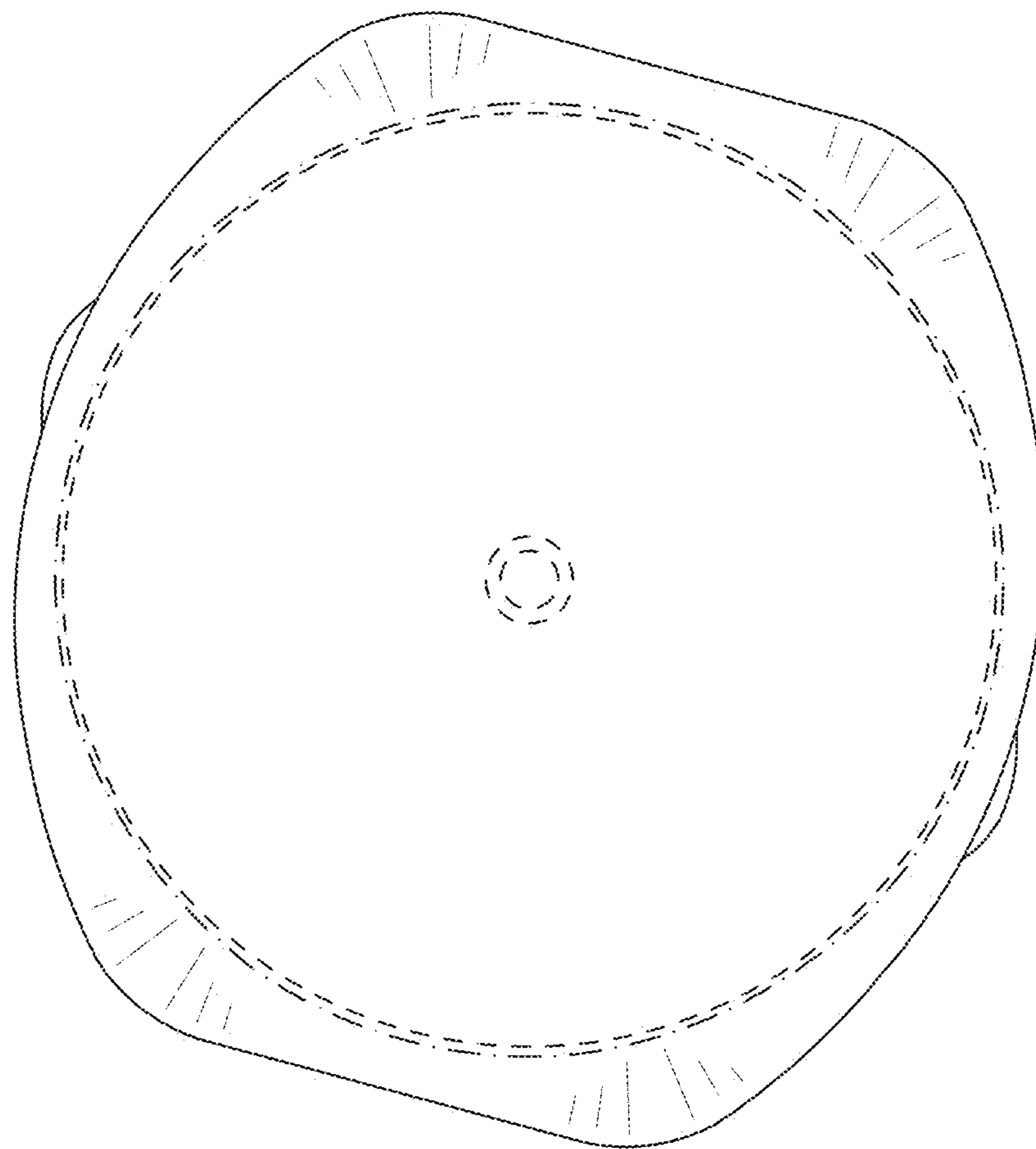


FIG. 11

