



US00D882071S

(12) **United States Design Patent** (10) **Patent No.:** **US D882,071 S**  
**Stonecipher et al.** (45) **Date of Patent:** **\*\* Apr. 21, 2020**

(54) **AUTOINJECTOR WITH REMOVABLE AUTOINJECTOR CAP**

OTHER PUBLICATIONS

(71) Applicant: **AMGEN INC.**, Thousand Oaks, CA (US)

Industrial Design DM/092744, Millennium Pharmaceuticals, Inc., Registration date Sep. 6, 2016.

(Continued)

(72) Inventors: **Brian Stonecipher**, Newbury Park, CA (US); **Dheeraj Gupta**, Simi Valley, CA (US); **Sigrid Moeslinger**, New York, NY (US); **Masamichi Udagawa**, New York, NY (US)

*Primary Examiner* — Nathan M Johnston

(74) *Attorney, Agent, or Firm* — Marshall, Gerstein & Borun LLP

(73) Assignee: **AMGEN INC.**, Thousand Oaks, CA (US)

(57) **CLAIM**

(\*\*) Term: **15 Years**

The ornamental design for an autoinjector with removable autoinjector cap, as shown and described.

(21) Appl. No.: **29/644,412**

(22) Filed: **Apr. 17, 2018**

**DESCRIPTION**

**Related U.S. Application Data**

(63) Continuation of application No. 29/548,001, filed on Dec. 9, 2015, now Pat. No. Des. 822,198.

(51) **LOC (12) Cl.** ..... **24-02**

(52) **U.S. Cl.**  
USPC ..... **D24/113**

(58) **Field of Classification Search**  
USPC ..... D24/112-114, 133, 186, 127-131; 606/181, 185; 604/264, 272, 115, 232,  
(Continued)

(56) **References Cited**

**U.S. PATENT DOCUMENTS**

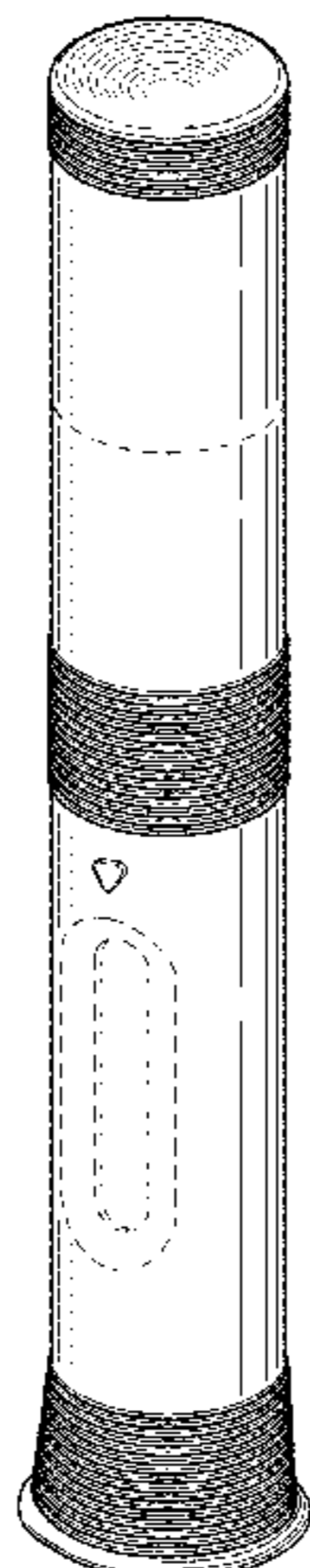
758,567 A 4/1904 Wohlfahrt et al.  
D321,472 S 11/1991 Evans et al.  
(Continued)

**FOREIGN PATENT DOCUMENTS**

CN 302858428 6/2014  
CN 304223460 7/2017  
(Continued)

FIG. 1 is a perspective view showing a new design for an autoinjector with removable autoinjector cap, showing the removable cap disposed on the autoinjector;  
FIG. 2 is a top view of the autoinjector with removable autoinjector cap of FIG. 1;  
FIG. 3 is a bottom view of the autoinjector with removable autoinjector cap of FIG. 1;  
FIG. 4 is a front view of the autoinjector with removable autoinjector cap of FIG. 1;  
FIG. 5 is a right-side view of the autoinjector with removable autoinjector cap of FIG. 1;  
FIG. 6 is a rear view of the autoinjector with removable autoinjector cap of FIG. 1;  
FIG. 7 is a left-side view of the autoinjector with removable autoinjector cap of FIG. 1; and,  
FIG. 8 is a perspective view showing the autoinjector with removable autoinjector cap of FIGS. 1-7 with the removable autoinjector cap removed from the autoinjector.  
The broken lines show portions of the design that form no part of the claimed design.

**1 Claim, 5 Drawing Sheets**



(58) **Field of Classification Search**

USPC .. 604/187, 158, 164.08, 192, 263, 163, 181,  
604/184, 198, 227; 600/101, 139, 143;  
128/200.24, 207.14, 207.15;  
D19/115-123, 177, 193  
CPC ..... A61M 5/3156; A61M 5/31591; A61M  
5/3155; A61M 5/3157; A61M 5/24;  
A61M 5/31501; A61M 5/31551; A61M  
5/31585; A61M 2005/2407; A61M  
2005/2492; A61M 2205/581; A61M  
2205/582

See application file for complete search history.

(56) **References Cited**

U.S. PATENT DOCUMENTS

D443,641 S 6/2001 Mader  
D497,806 S 11/2004 Nichols et al.  
D545,895 S 7/2007 Okutani  
D612,486 S 3/2010 Van der Stappen  
D619,244 S 7/2010 Van der Stappen  
D622,374 S 8/2010 Julian et al.  
D626,994 S 11/2010 Gerules  
D627,061 S 11/2010 Van der Stappen  
D628,690 S 12/2010 Galbraith  
D629,509 S 12/2010 Julian et al.  
D640,786 S 6/2011 Sato et al.  
D696,397 S 12/2013 Guarraia et al.  
D696,773 S 12/2013 Schneider et al.  
D696,774 S 12/2013 Guarraia et al.  
D696,775 S 12/2013 Guarraia et al.  
D697,205 S 1/2014 Schneider et al.  
D708,317 S 7/2014 Schneider et al.  
D714,932 S 10/2014 Hall et al.  
D715,422 S 10/2014 Hall et al.  
D717,428 S 11/2014 Sendatzki et al.  
D721,802 S 1/2015 Ohashi  
D722,158 S 2/2015 Magome et al.  
D728,782 S 5/2015 Dubuc et al.  
D732,161 S 6/2015 Ohashi  
D739,011 S 9/2015 Morrison, Jr. et al.  
D757,255 S 5/2016 Wohlfahrt et al.  
D758,566 S 6/2016 Chen  
D758,567 S 6/2016 Wohlfahrt et al.  
D758,568 S \* 6/2016 Wohlfahrt ..... D24/113  
D758,569 S 6/2016 Wohlfahrt et al.  
D758,570 S 6/2016 Wohlfahrt et al.  
D758,571 S 6/2016 Geert-Jensen et al.  
D759,813 S 6/2016 Newman et al.  
D759,814 S 6/2016 Newman et al.  
D765,240 S 8/2016 Hauck et al.  
D766,425 S 9/2016 Hauck et al.  
D767,119 S 9/2016 Hauck et al.  
D770,610 S 11/2016 Saussaye et al.  
D773,648 S 12/2016 Wohlfahrt et al.  
D774,641 S 12/2016 Miggels et al.  
D775,279 S 12/2016 Shen  
D780,909 S 3/2017 Burkett et al.

D783,816 S 4/2017 Wohlfahrt et al.  
9,623,199 B2 \* 4/2017 Richter ..... A61M 5/20  
D793,547 S 8/2017 Burkett et al.  
D794,178 S 8/2017 Daniel et al.  
D794,777 S 8/2017 Daniel et al.  
D799,026 S 10/2017 Jones et al.  
D802,748 S 11/2017 Mills et al.  
D814,022 S 3/2018 Boyaval et al.  
D819,198 S 5/2018 Boyaval et al.  
D819,200 S 5/2018 Stonecipher et al.  
D822,198 S 7/2018 Stonecipher et al.  
D827,128 S 8/2018 Boyaval et al.  
D830,539 S 10/2018 Boyaval et al.  
D851,754 S 6/2019 Boyaval et al.  
D857,192 S \* 8/2019 Burkett ..... D24/112  
D861,859 S \* 10/2019 Rapp ..... D24/113  
D866,757 S \* 11/2019 Diluzio ..... D24/133  
D868,961 S \* 12/2019 Stewart ..... D24/112  
D870,270 S \* 12/2019 Burkett ..... D24/112  
2004/0068283 A1 4/2004 Fukuzawa et al.  
2008/0269682 A1 10/2008 Kavazov et al.  
2008/0269692 A1 10/2008 James et al.  
2012/0123350 A1 \* 5/2012 Giambattista ..... A61M 5/2033  
604/198  
2013/0060231 A1 3/2013 Adlon et al.  
2013/0211330 A1 8/2013 Pedersen et al.  
2014/0207073 A1 7/2014 Shang et al.  
2014/0221916 A1 8/2014 Kramer et al.  
2014/0221936 A1 8/2014 Edhouse et al.  
2014/0330216 A1 11/2014 Weaver et al.  
2014/0343507 A1 11/2014 Karlsson et al.  
2014/0364812 A1 12/2014 Lumme et al.  
2014/0371684 A1 12/2014 Holmqvist  
2015/0190577 A1 7/2015 Shaanan et al.  
2015/0335829 A1 11/2015 Giambattista et al.  
2016/0106929 A1 \* 4/2016 Fournier ..... A61M 5/3202  
604/192  
2016/0151586 A1 \* 6/2016 Kemp ..... A61M 5/3204  
604/198  
2016/0263325 A1 9/2016 Huthmacher et al.  
2016/0303327 A1 10/2016 Moren  
2017/0128668 A1 5/2017 Miller et al.  
2017/0182242 A1 6/2017 Galitz et al.  
2018/0043101 A1 \* 2/2018 Weaver ..... A61M 5/31513  
2019/0266921 A1 \* 8/2019 Chang ..... G09B 23/285  
2019/0298924 A1 \* 10/2019 Gibson ..... A61M 5/2033

FOREIGN PATENT DOCUMENTS

RU 100256 U1 12/2010  
RU 100299 U1 12/2010  
TW D179360 11/2016  
TW D179362 11/2016

OTHER PUBLICATIONS

Internet publication <https://www.youtube.com/watch?v=VbGb5lt9n80>, dated Sep. 30, 2014.

\* cited by examiner

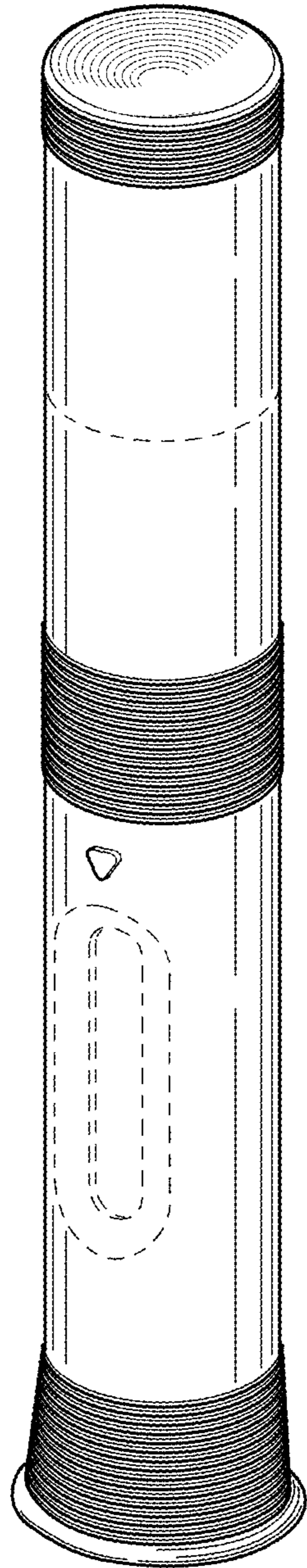


FIG. 1

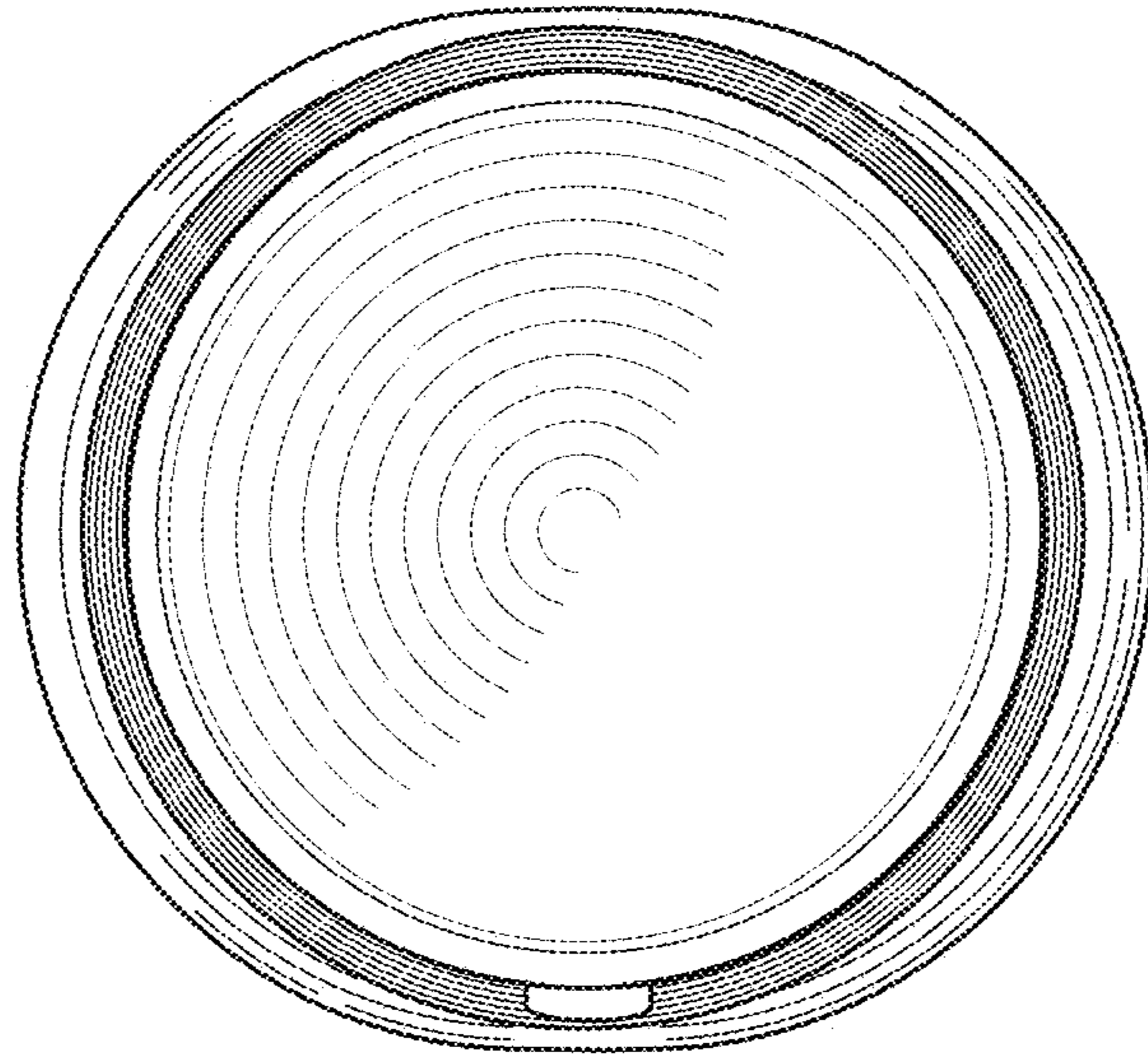


FIG. 2

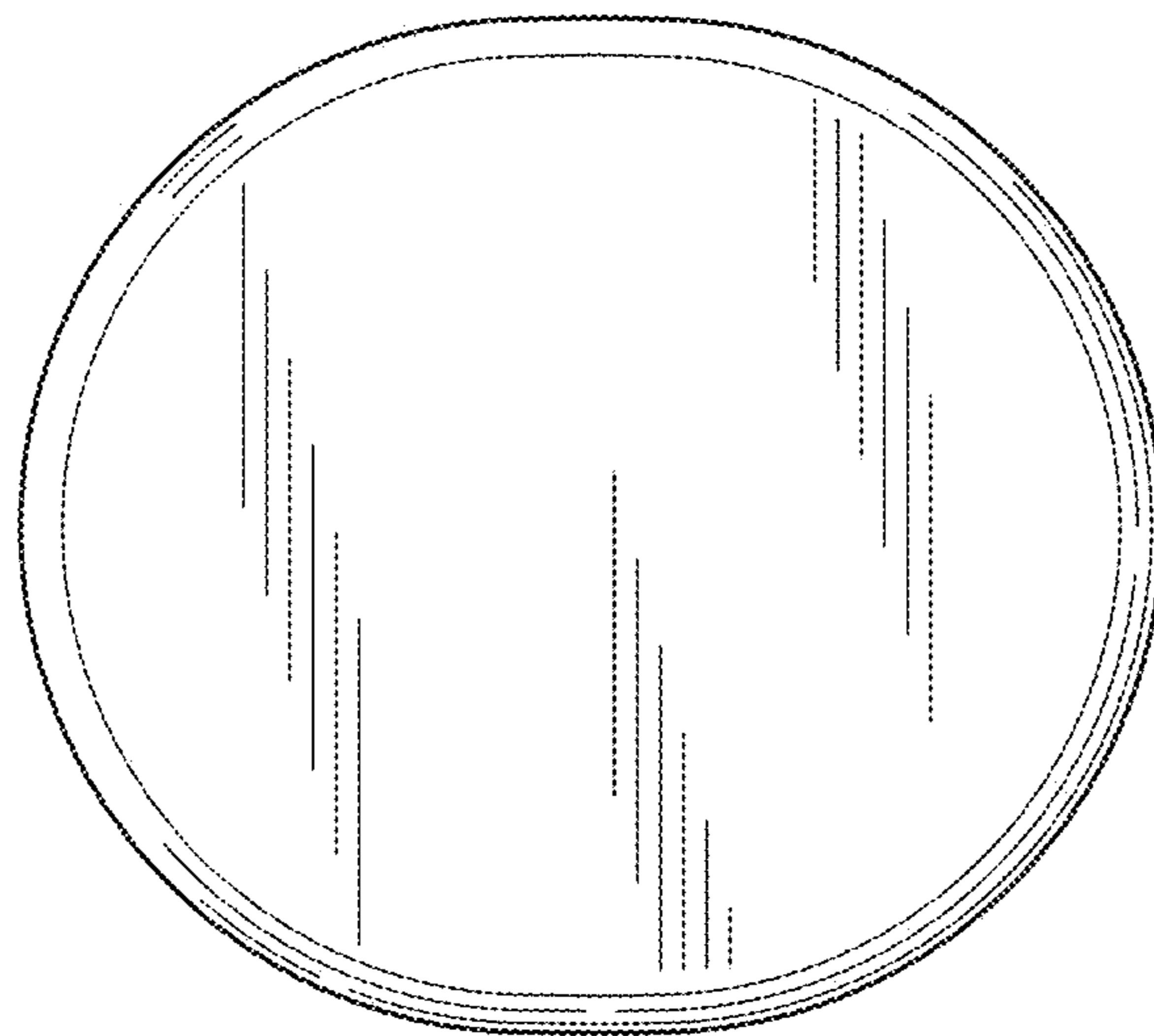


FIG. 3

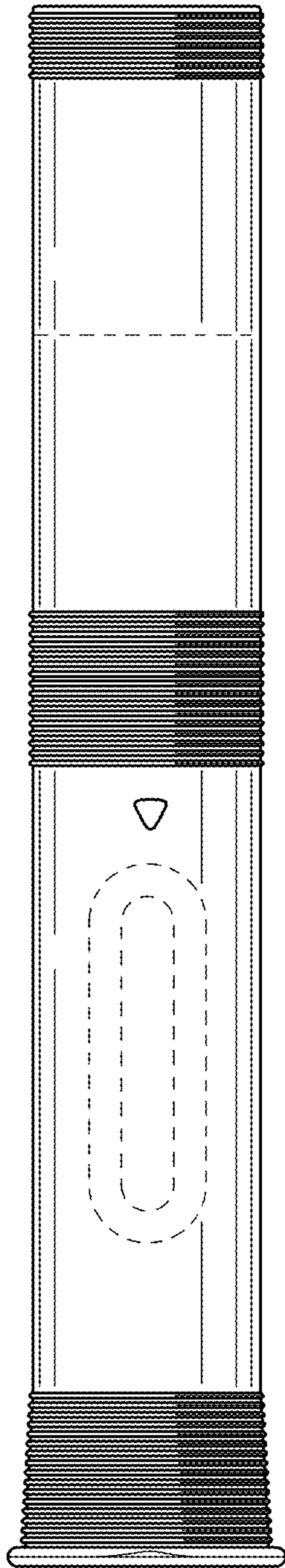


FIG. 4

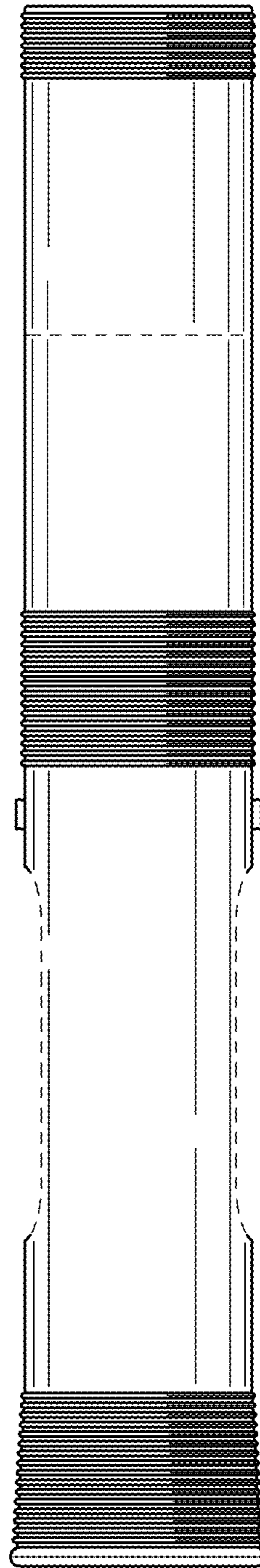


FIG. 5

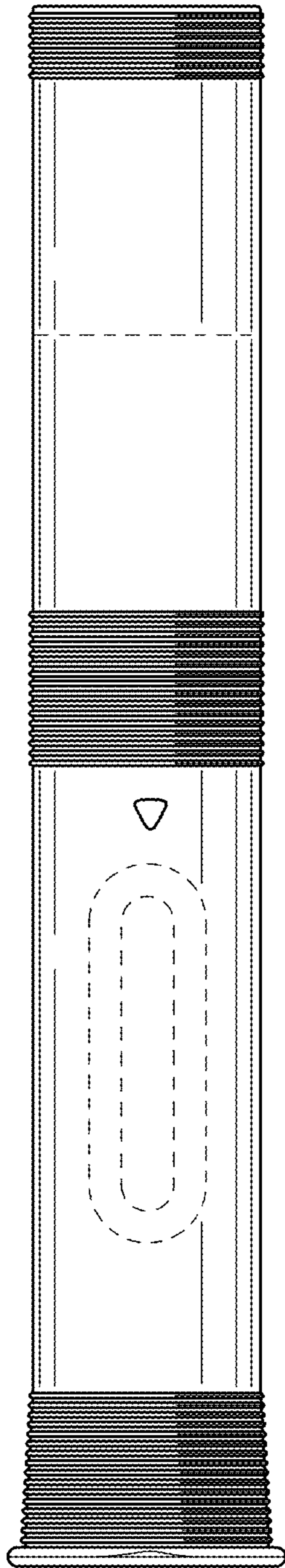


FIG. 6

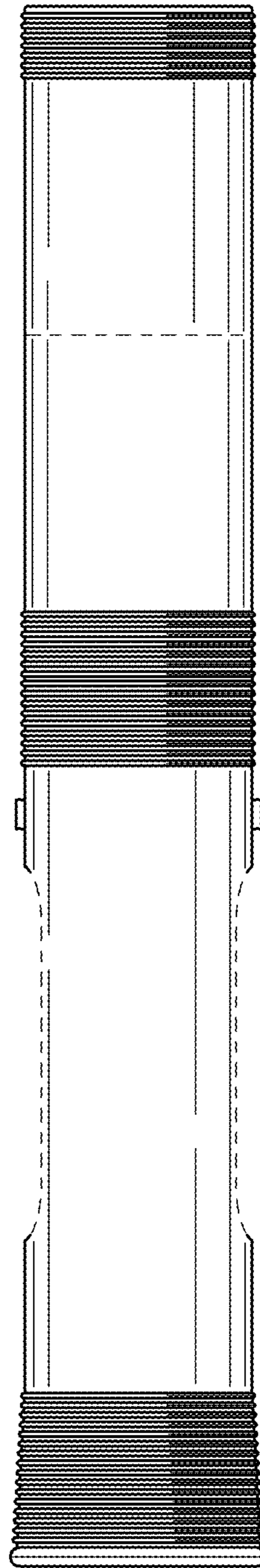


FIG. 7

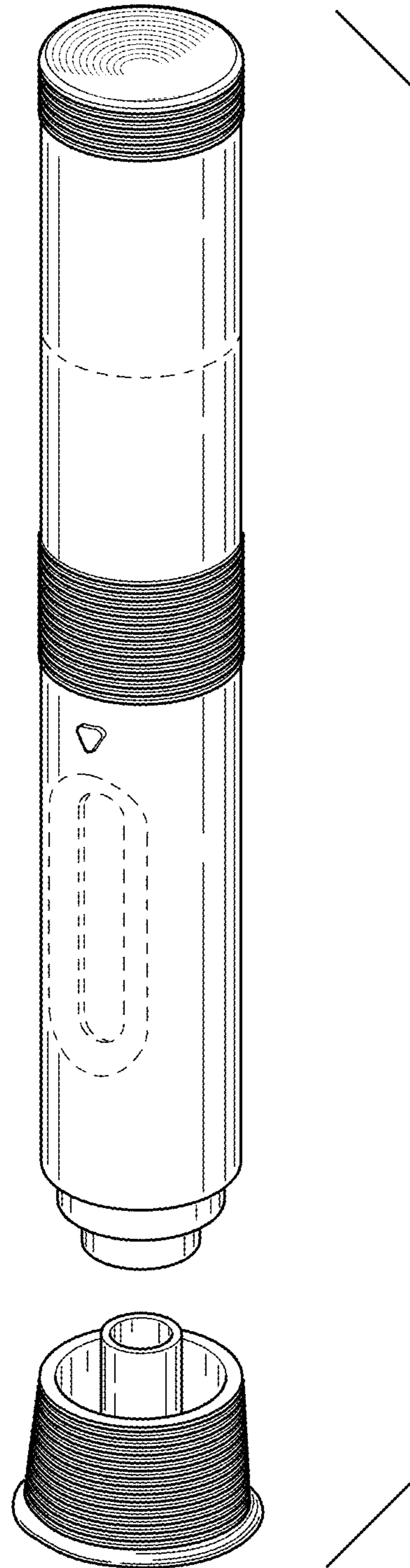


FIG. 8