



US00D882070S

(12) **United States Design Patent**  
**Inoh et al.**

(10) **Patent No.:** **US D882,070 S**  
(45) **Date of Patent:** **\*\* Apr. 21, 2020**

(54) **INJECTION NEEDLE**  
(71) Applicant: **ASTI CORPORATION**,  
Hamamatsu-shi, Shizuoka (JP)  
(72) Inventors: **Akinori Inoh**, Hamamatsu (JP); **Isamu Nonaka**, Hamamatsu (JP)  
(73) Assignee: **ASTI CORPORATION**,  
Hamamatsu-Shi, Shizuoka (JP)  
(\*\*) Term: **15 Years**  
(21) Appl. No.: **29/685,090**  
(22) Filed: **Mar. 26, 2019**

(30) **Foreign Application Priority Data**

Sep. 27, 2018 (JP) ..... 2018-20989

(51) **LOC (12) Cl.** ..... **24-02**

(52) **U.S. Cl.**  
USPC ..... **D24/112**

(58) **Field of Classification Search**  
USPC ..... D24/112-114, 108, 130, 127, 133, 186;  
606/181, 185; 604/264, 523-528, 272,  
604/164.01-164.11, 187, 93.01; 600/101,  
600/139, 143; 128/200.24, 207.14,  
128/207.15  
CPC .. A61M 25/065; A61M 5/42; A61M 25/0612;  
A61M 25/00; A61M 39/00; A61M 27/00;  
A61M 25/0043; A61M 25/0067; A61M  
25/0097; A61F 2/958  
See application file for complete search history.

(56) **References Cited**

**U.S. PATENT DOCUMENTS**

6,132,449 A \* 10/2000 Lum ..... A61B 5/150022  
606/181  
D472,630 S \* 4/2003 Douglas ..... D24/108

6,551,338 B1 \* 4/2003 Chiu ..... A61B 17/34  
128/898  
8,647,356 B2 \* 2/2014 Kim ..... A61B 5/1411  
606/181  
D711,531 S \* 8/2014 Ozawa ..... D24/130  
9,011,324 B2 \* 4/2015 Okoniewski ..... A61B 17/3423  
600/184  
D851,760 S \* 6/2019 Lee ..... D24/130  
2004/0249405 A1 \* 12/2004 Watanabe ..... A61B 5/150022  
606/181  
2007/0038181 A1 \* 2/2007 Melamud ..... A61B 17/3478  
604/158  
2010/0030152 A1 \* 2/2010 Lee ..... A61M 37/0015  
604/131  
2013/0102954 A1 \* 4/2013 Choi ..... A61N 1/327  
604/21

(Continued)

*Primary Examiner* — David G Muller

(74) *Attorney, Agent, or Firm* — Manabu Kanesaka

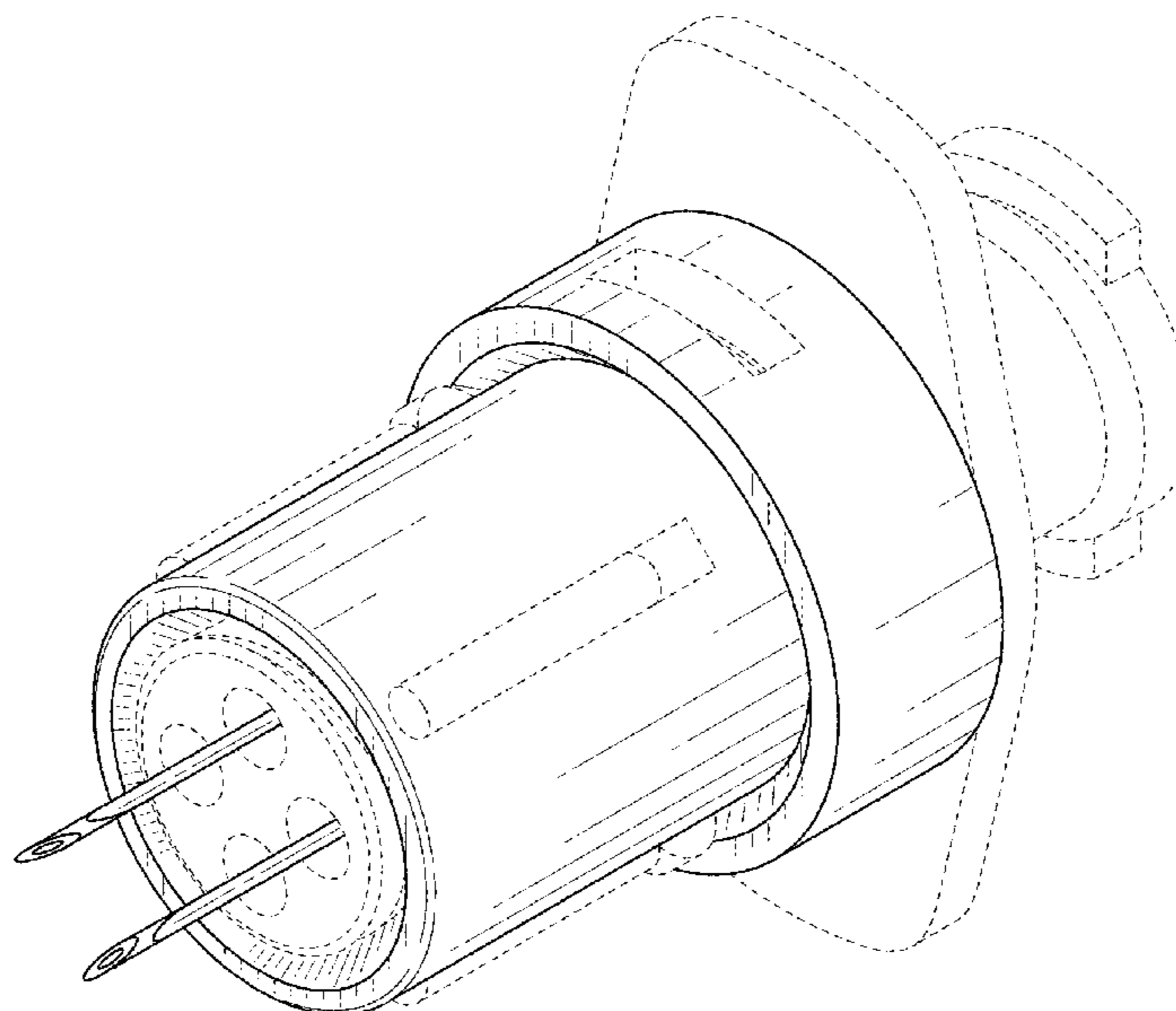
(57) **CLAIM**

The ornamental design for injection needle, as shown and described.

**DESCRIPTION**

FIG. 1 is a front view of an injection needle showing our new design;  
FIG. 2 is a rear view thereof;  
FIG. 3 is a right side view thereof;  
FIG. 4 is a left side view thereof;  
FIG. 5 is a plan view thereof;  
FIG. 6 is a bottom view thereof;  
FIG. 7 is a cross-sectional view thereof along the line 7-7 in FIG. 1;  
FIG. 8 is a first perspective view thereof;  
FIG. 9 is a second perspective view thereof; and,  
FIG. 10 is a first perspective view in a needle retracted state. The broken lines depict portions of the injection needle that form no part of claimed design.

**1 Claim, 10 Drawing Sheets**



(56)

**References Cited**

U.S. PATENT DOCUMENTS

2014/0088502 A1\* 3/2014 Matheny ..... A61K 31/726  
604/121  
2014/0128810 A1\* 5/2014 Ozawa ..... A61M 5/3298  
604/173

\* cited by examiner

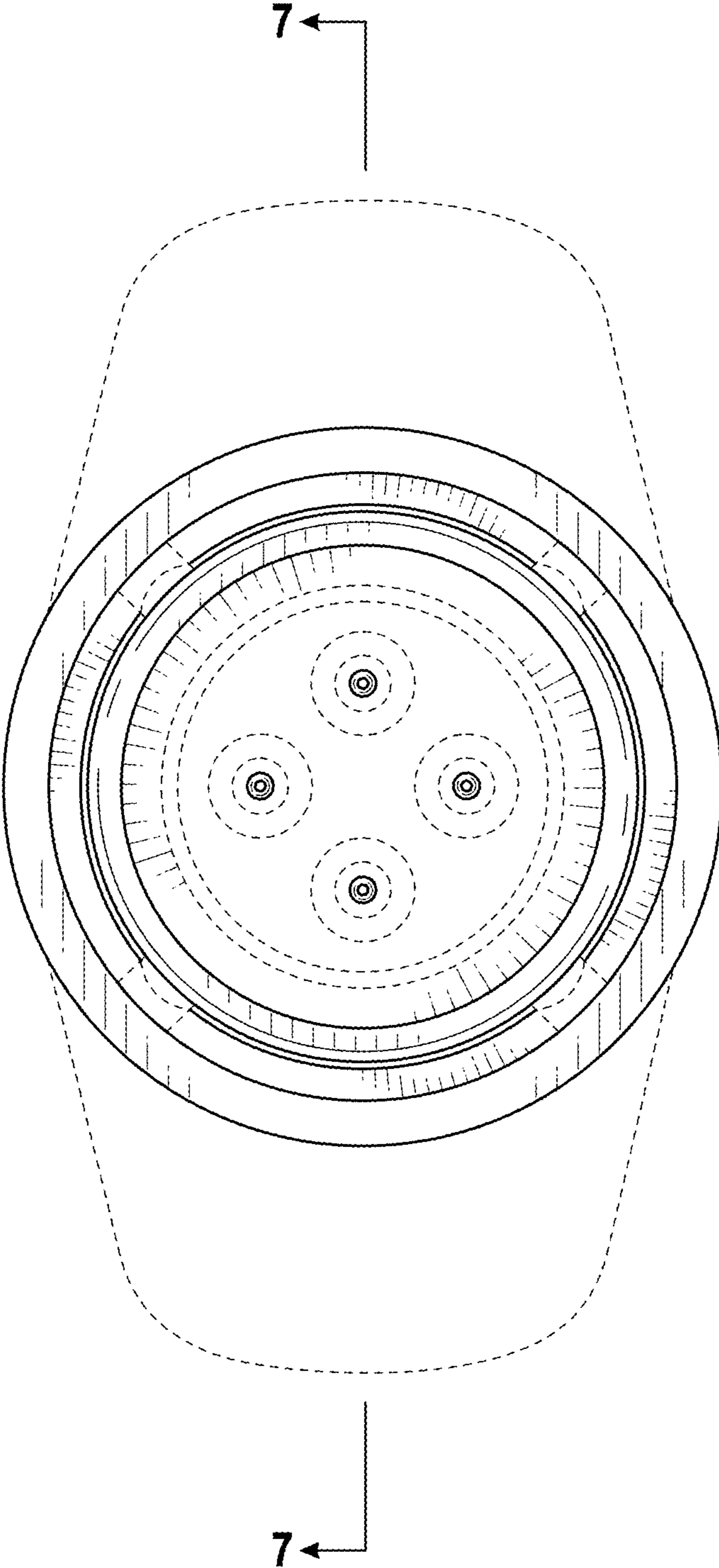


FIG. 1

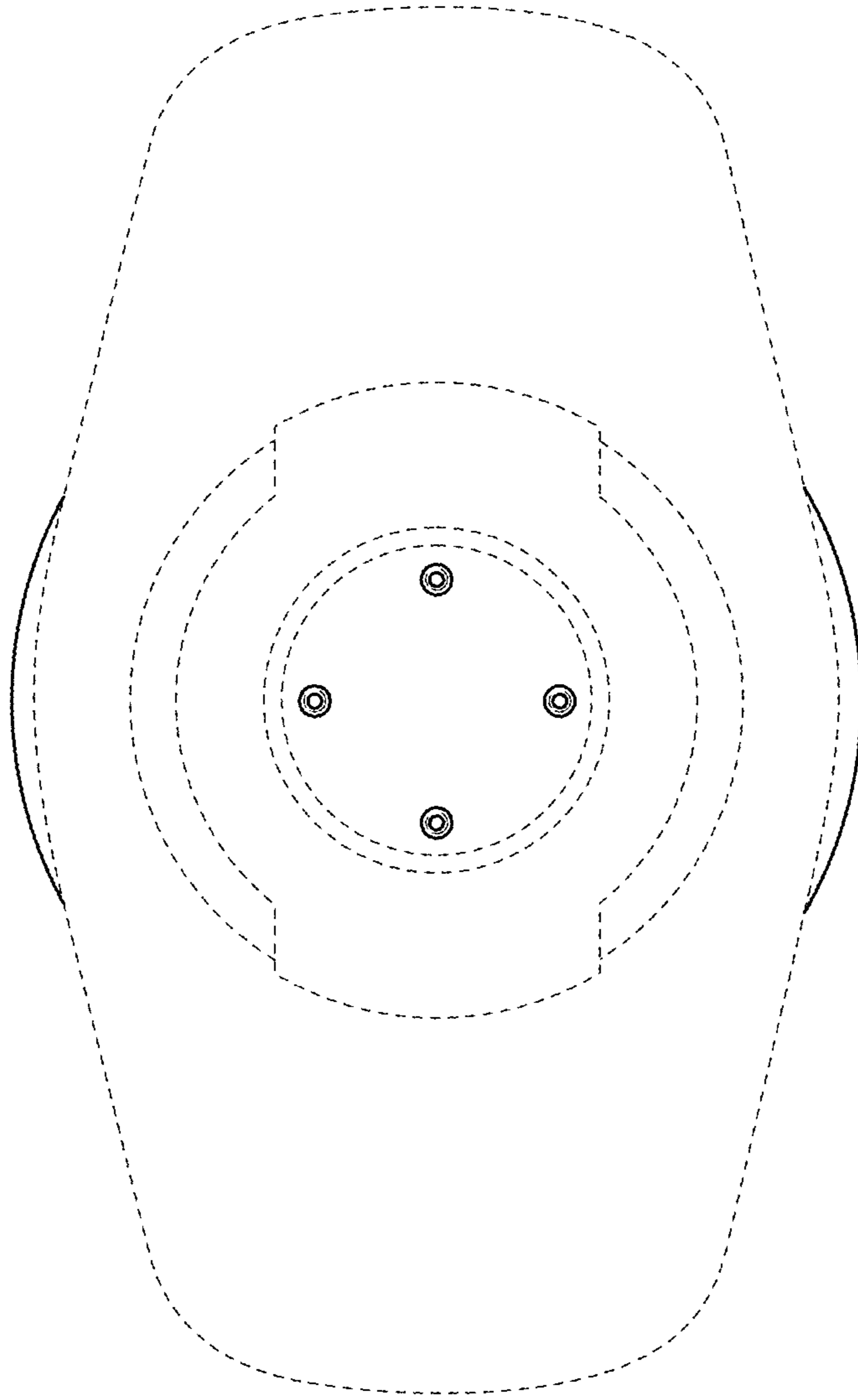


FIG. 2

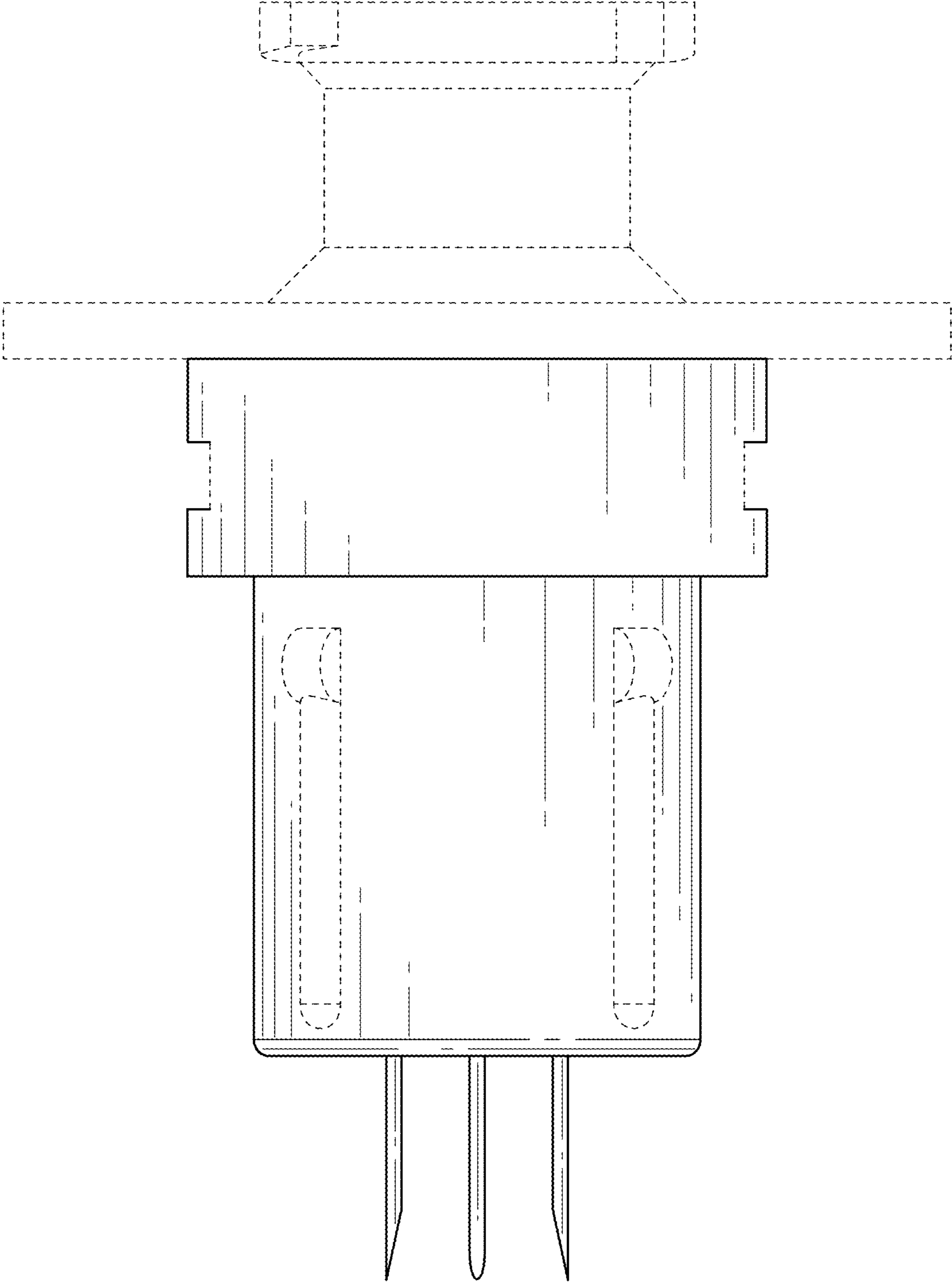


FIG. 3

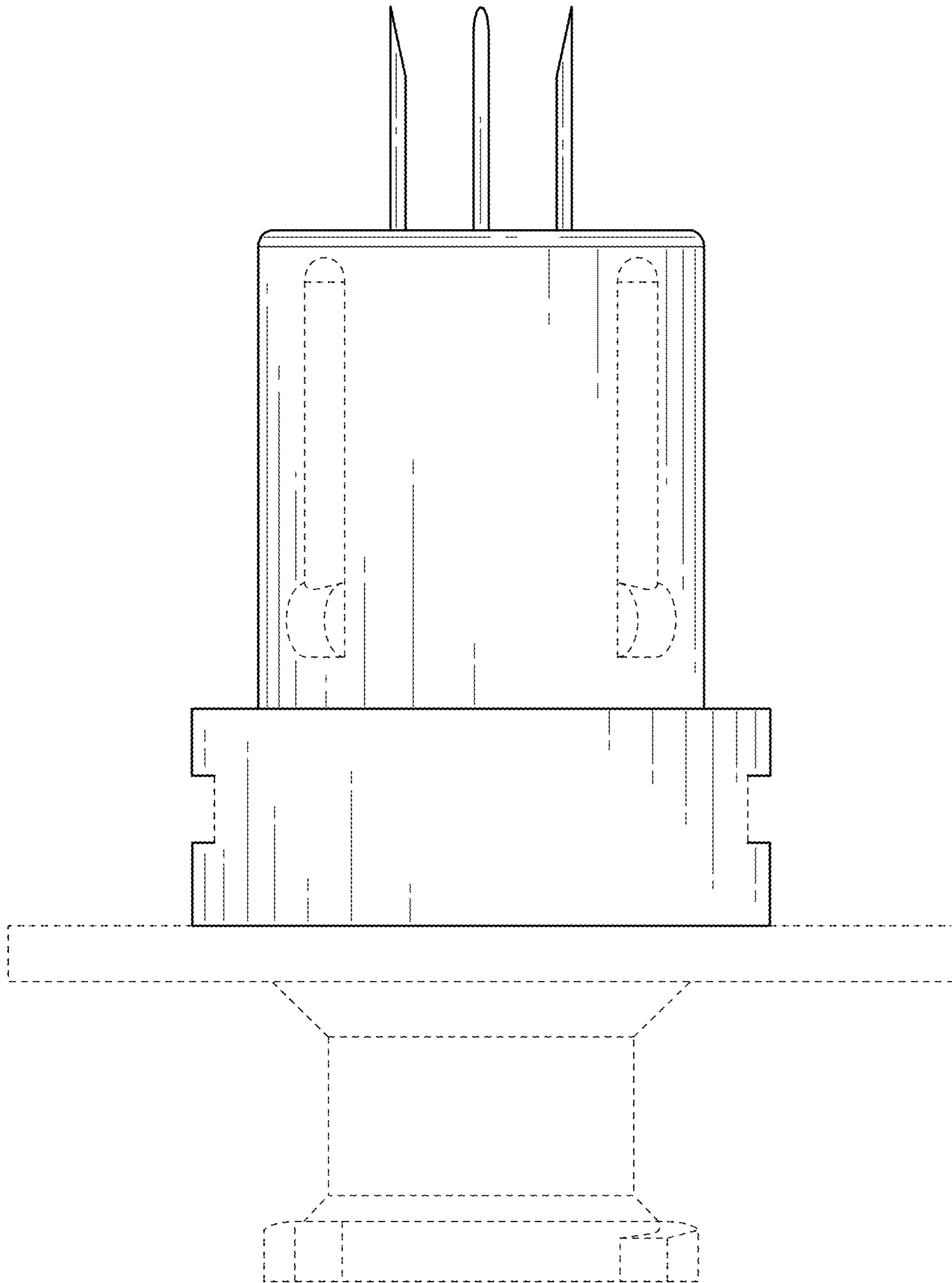


FIG. 4

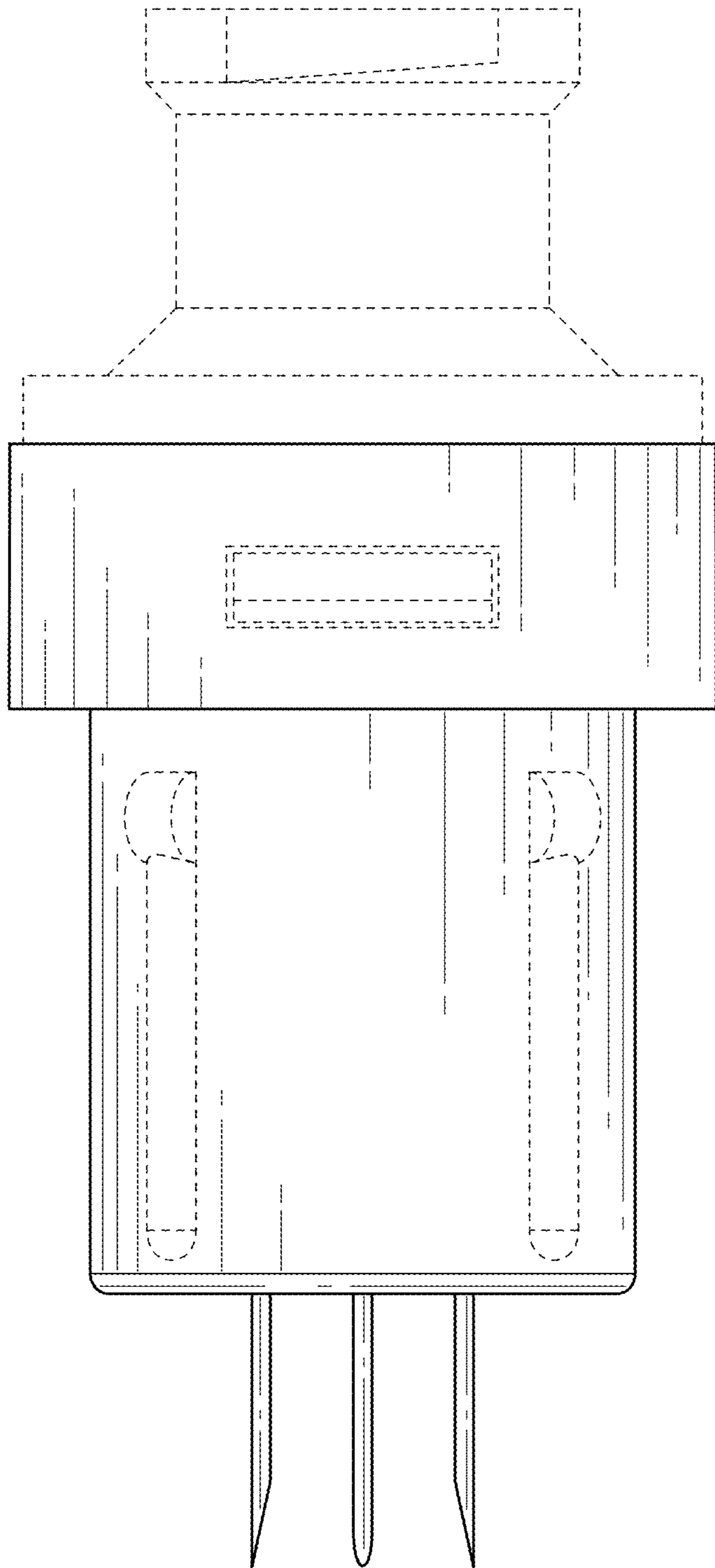


FIG. 5

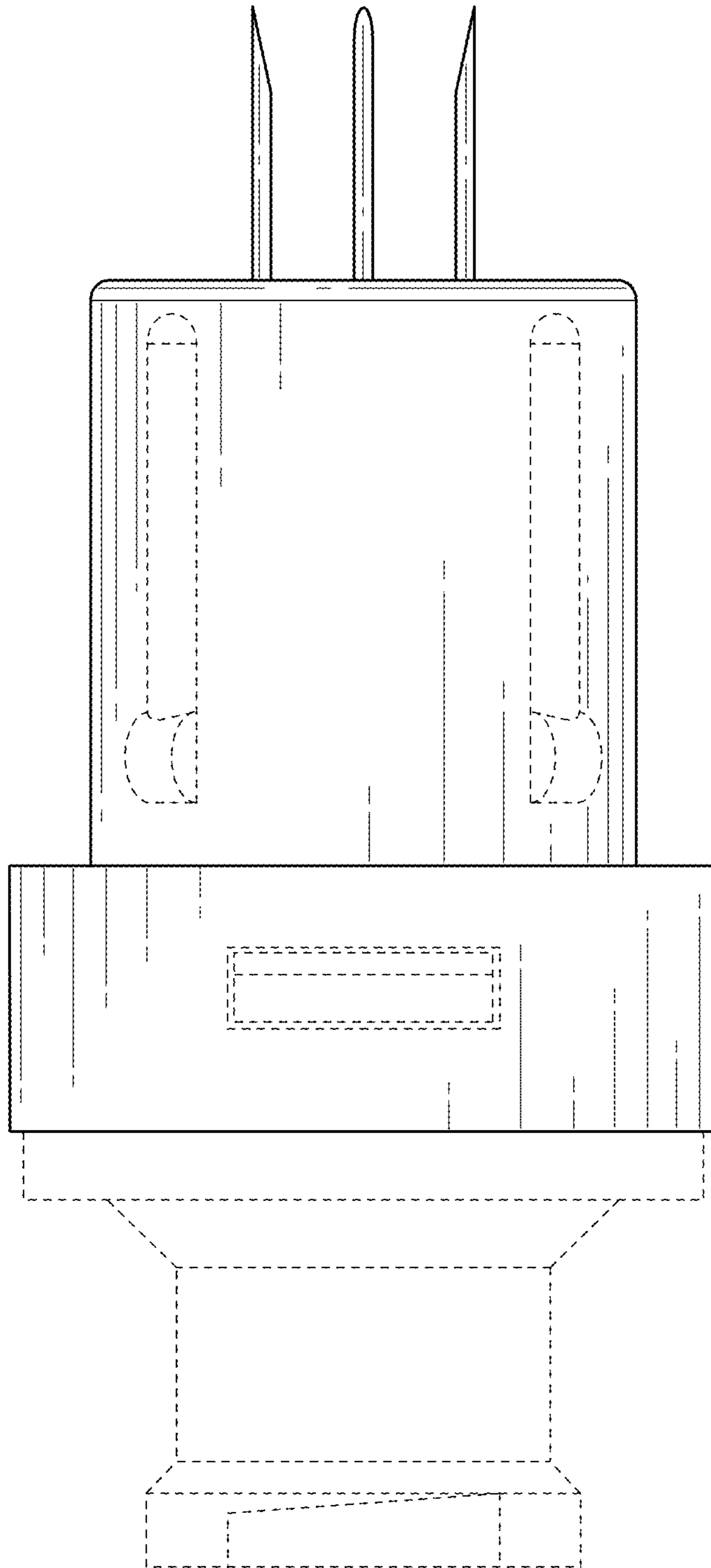


FIG. 6



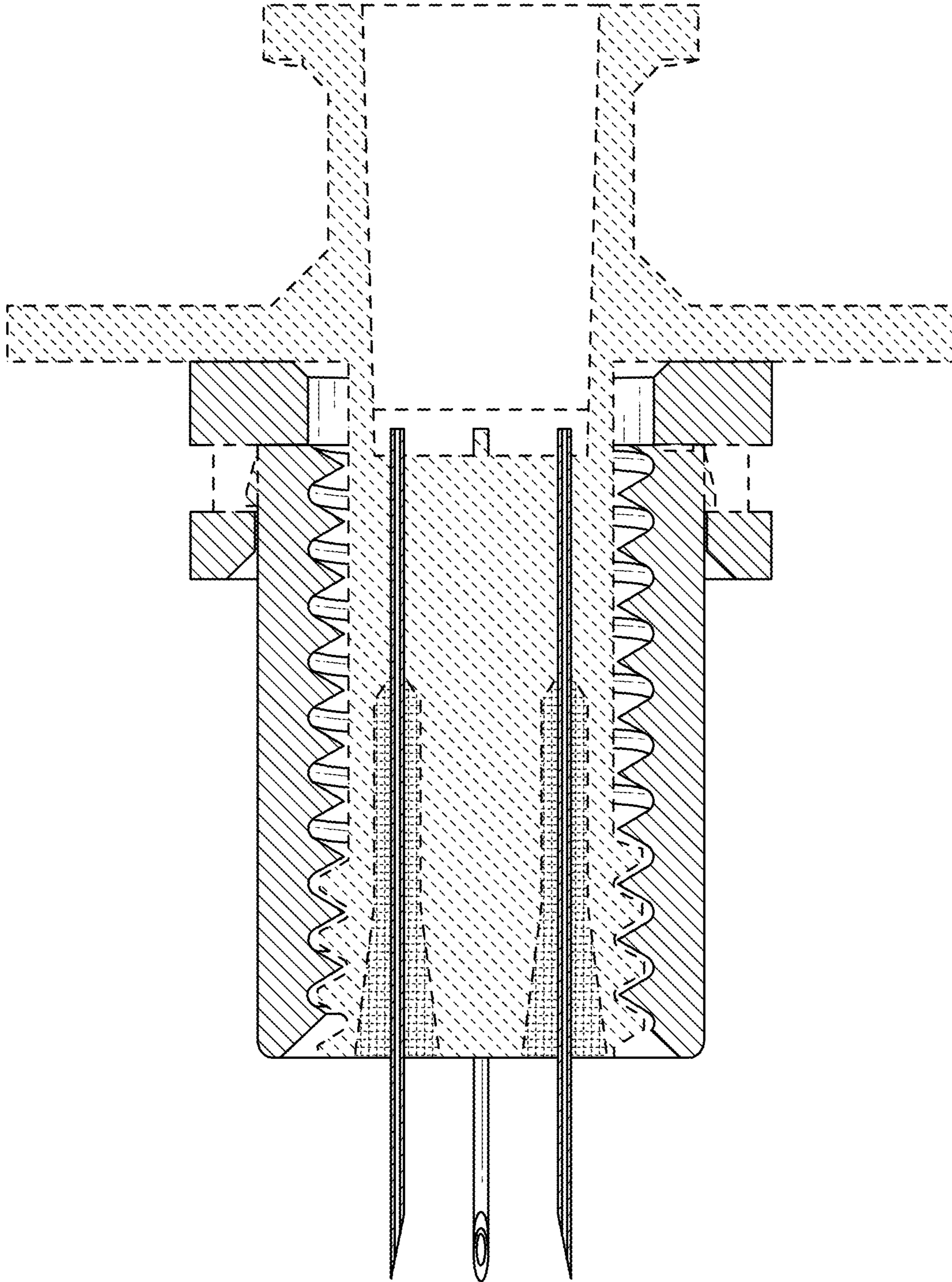


FIG. 7

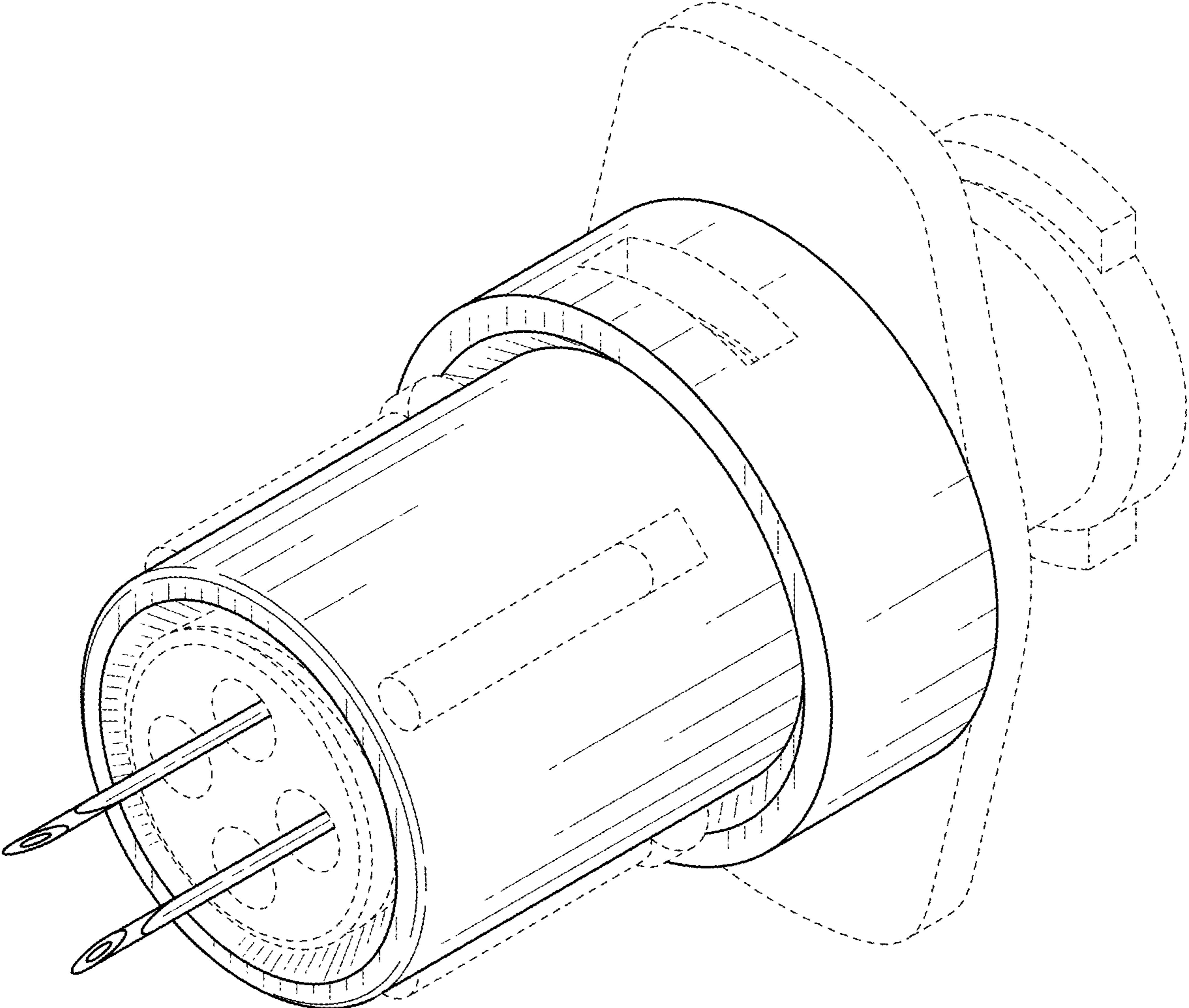


FIG. 8

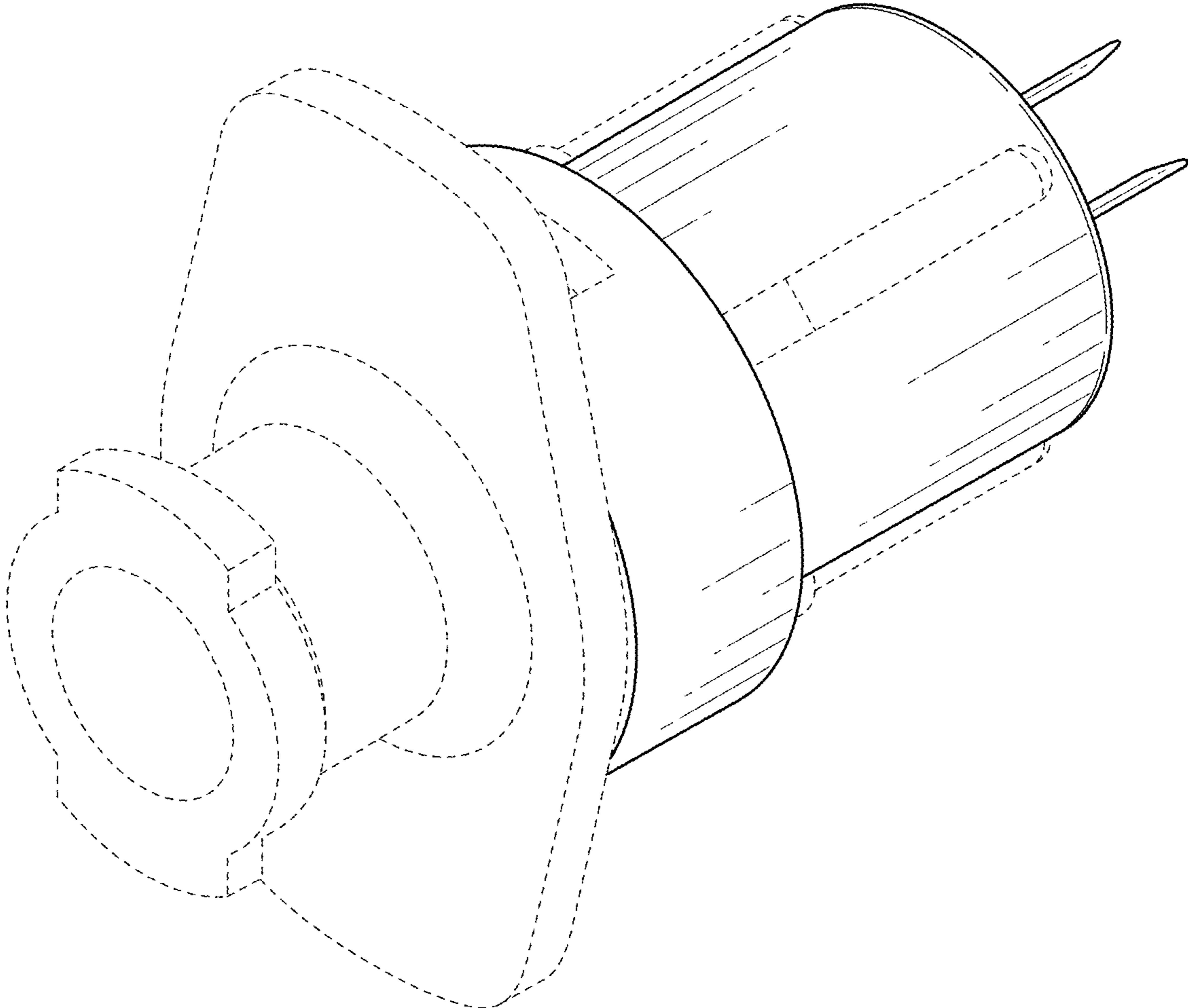


FIG. 9

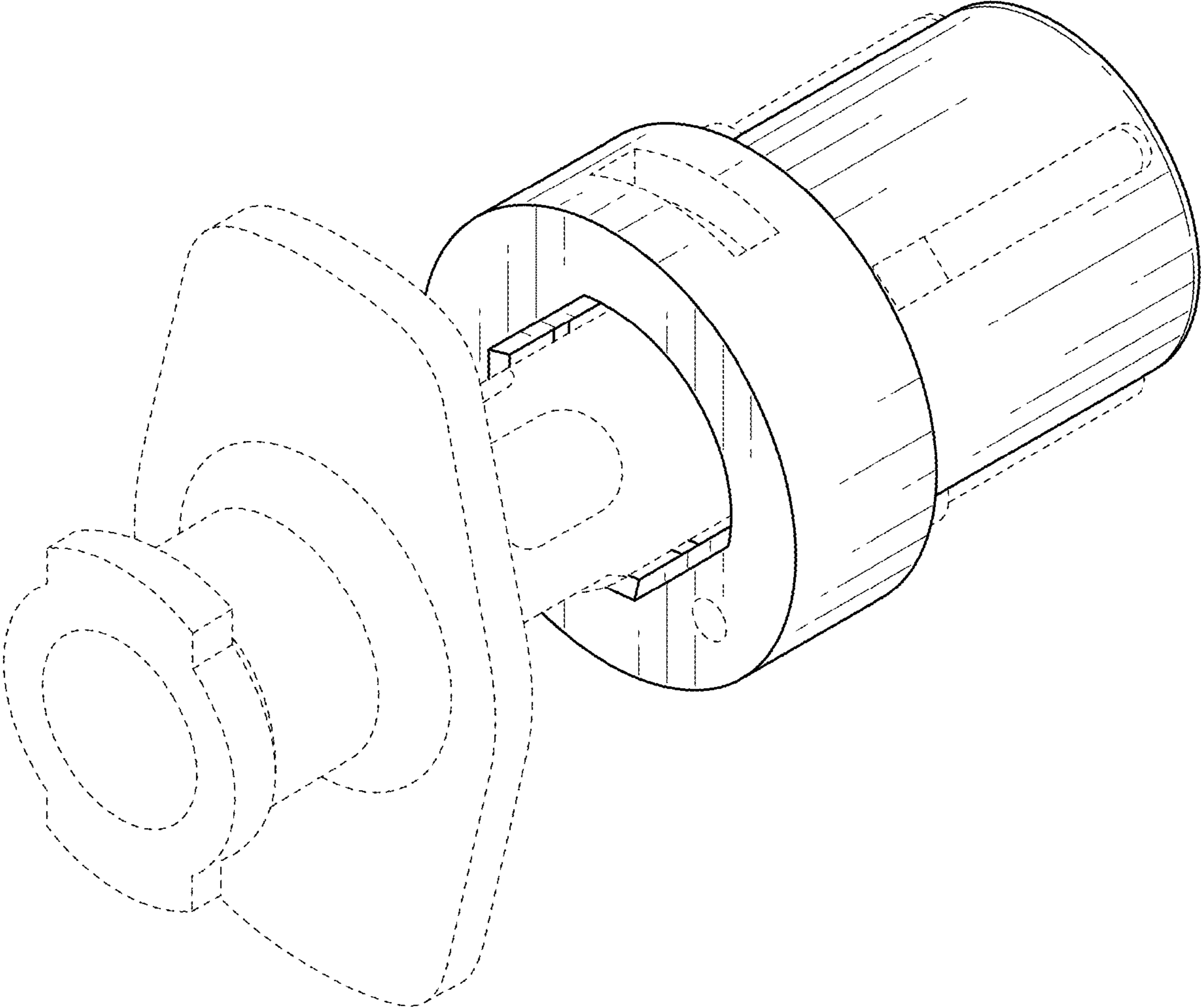


FIG. 10