



US00D882068S

(12) **United States Design Patent**
Matheis

(10) **Patent No.:** **US D882,068 S**
(45) **Date of Patent:** **** Apr. 21, 2020**

(54) **GAS EXCHANGE MEDICAL APPARATUS**

5,195,527 A * 3/1993 Hicks A61M 16/0833
128/204.17

(71) Applicant: **Xenios AG**, Heilbronn (DE)

D495,049 S * 8/2004 Austin D24/110.6
D701,963 S * 4/2014 Abarbanel D24/164

(72) Inventor: **Georg Matheis**, Heilbronn (DE)

8,991,390 B2 3/2015 Akouka et al.

(73) Assignee: **Xenios AG**, Heilbronn (DE)

D729,937 S * 5/2015 Acker D24/164
D730,525 S * 5/2015 Acker D24/164

(**) Term: **15 Years**

D731,050 S * 6/2015 Meyer A61M 16/208
D24/110.5

(21) Appl. No.: **29/667,061**

D776,254 S 1/2017 Li et al.

(22) Filed: **Oct. 18, 2018**

D790,972 S 7/2017 Keller

D791,303 S 7/2017 Pipe et al.

D791,931 S 7/2017 Kang

D792,642 S 7/2017 Mendoza

D793,546 S 8/2017 Ahern et al.

D795,414 S 8/2017 Soni et al.

D795,426 S 8/2017 Shi

D797,920 S 9/2017 Lamba et al.

D798,437 S 9/2017 Buckley et al.

D799,031 S 10/2017 Barrett et al.

D799,743 S 10/2017 Qiu

D799,746 S 10/2017 Leidel et al.

(Continued)

Related U.S. Application Data

(63) Continuation of application No. 35/501,962, filed on Oct. 14, 2016 (U.S. filing date under 35 U.S.C. 384), and having an international filing date of Oct. 14, 2016, now abandoned.

(30) **Foreign Application Priority Data**

Apr. 19, 2016 (EP) 001448625

(51) **LOC (12) Cl.** **24-02**

(52) **U.S. Cl.**
USPC **D24/111**

(58) **Field of Classification Search**

USPC D24/111, 110, 110.5, 108, 146, 129, 176;
D10/96

CPC A61M 16/208; A61M 16/0833; A61M
1/1698; A61M 11/06

See application file for complete search history.

(56) **References Cited**

U.S. PATENT DOCUMENTS

4,595,002 A * 6/1986 Michaels A61M 11/06
128/200.21

4,948,560 A * 8/1990 Deguchi A61M 1/1698
128/DIG. 3

Primary Examiner — Rhea Shields

(74) *Attorney, Agent, or Firm* — Dinsmore & Shohl LLP

(57) **CLAIM**

The ornamental design for a gas exchange medical apparatus, as shown and described.

DESCRIPTION

FIG. 1 is a front view of the gas exchange medical apparatus, showing my new design;

FIG. 2 is a top plan view thereof;

FIG. 3 is a bottom plan view thereof;

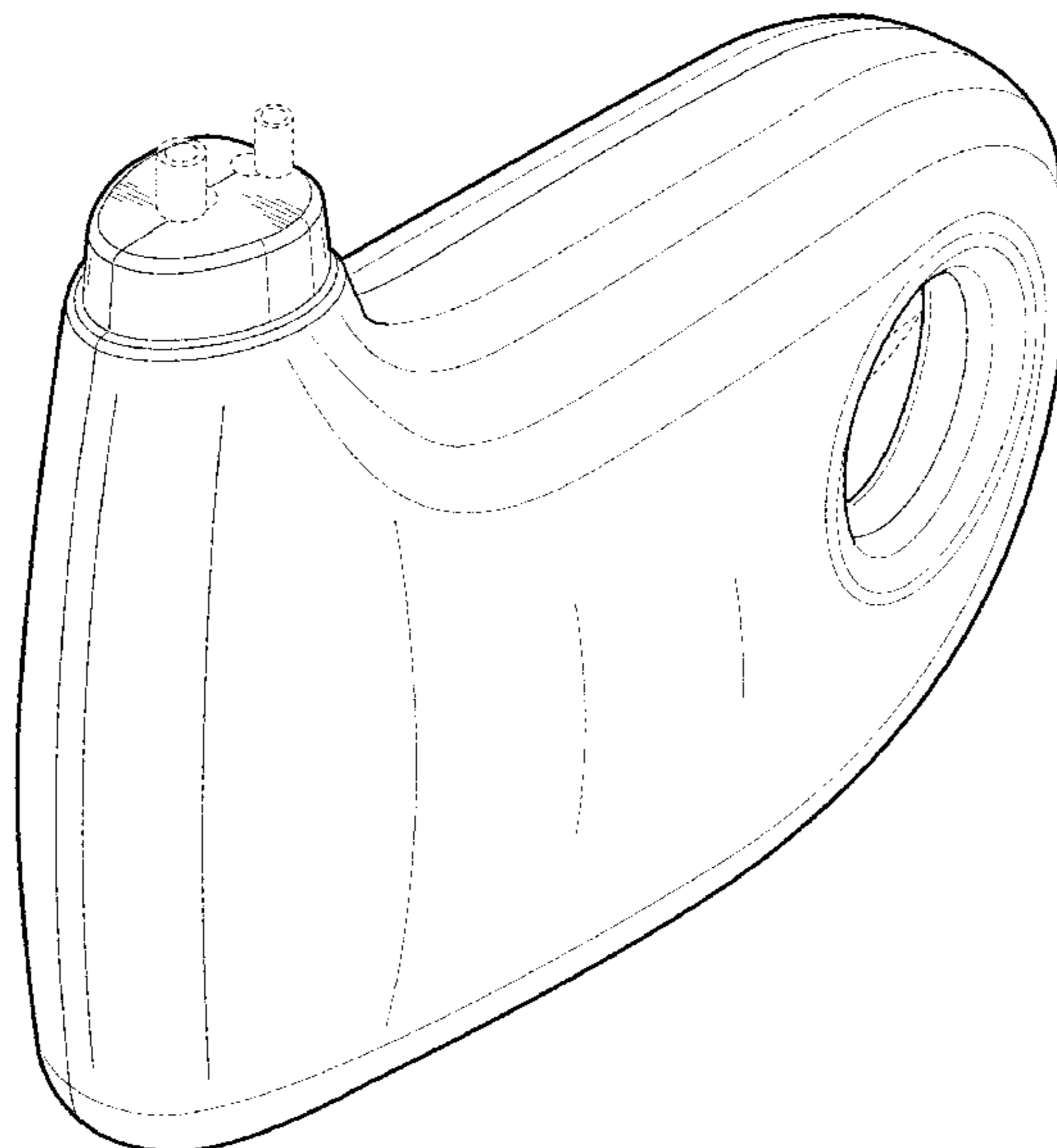
FIG. 4 is a left side view thereof;

FIG. 5 is a right side view thereof; and,

FIG. 6 is a perspective view thereof.

In the drawings, the broken lines are for the purpose of illustrating environment only and form no part of the claimed design.

1 Claim, 5 Drawing Sheets



(56)

References Cited

U.S. PATENT DOCUMENTS

D800,377 S	10/2017	Liu	
D801,621 S	11/2017	Ensslen	
D802,111 S	11/2017	Storz	
D802,771 S	11/2017	Schmid et al.	
D839,118 S *	1/2019	Matusik	D10/96
2018/0140764 A1 *	5/2018	Georg	A61M 1/1698
2019/0167882 A1 *	6/2019	Matheis	A61M 1/1698

* cited by examiner

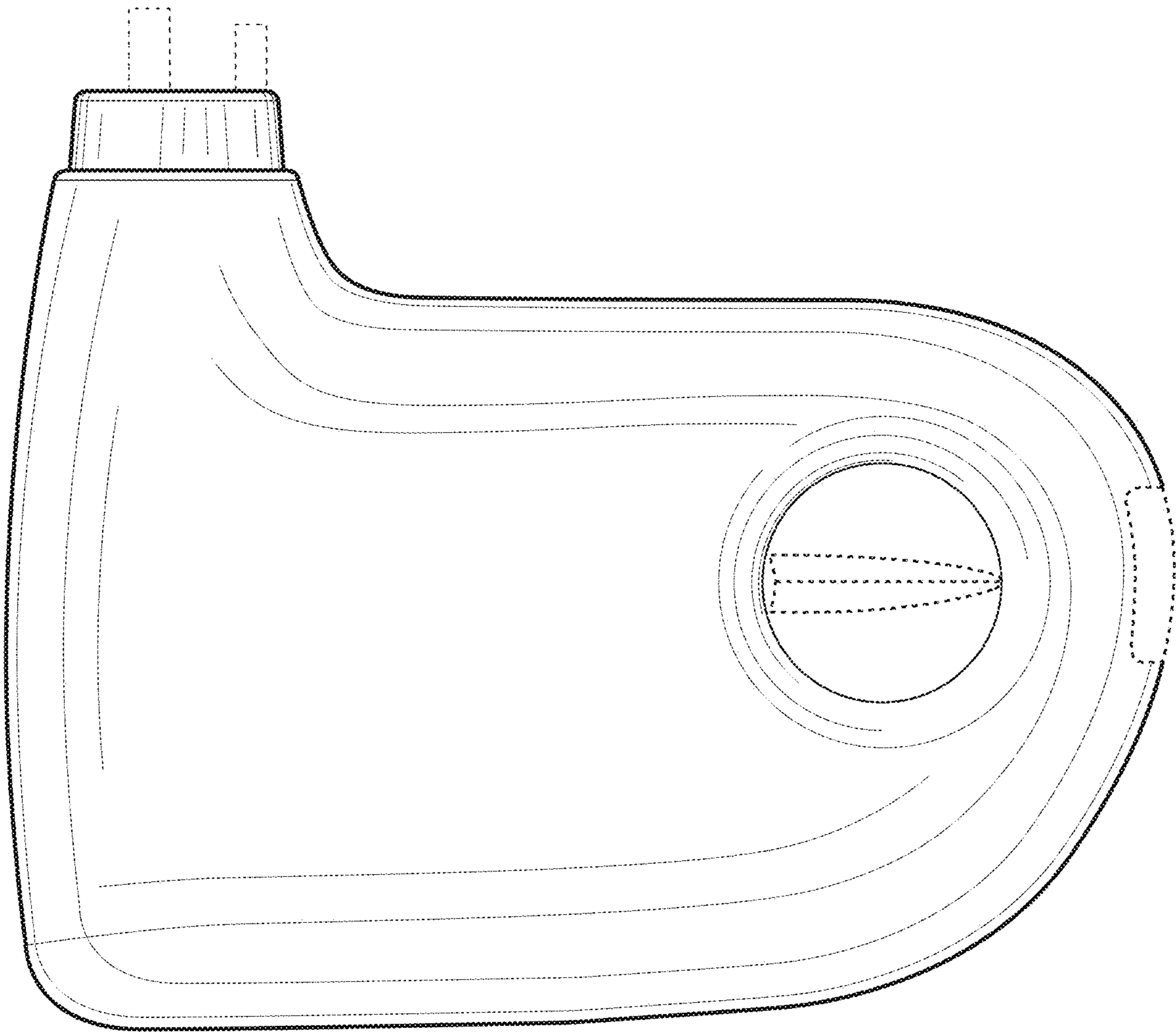


FIG. 1

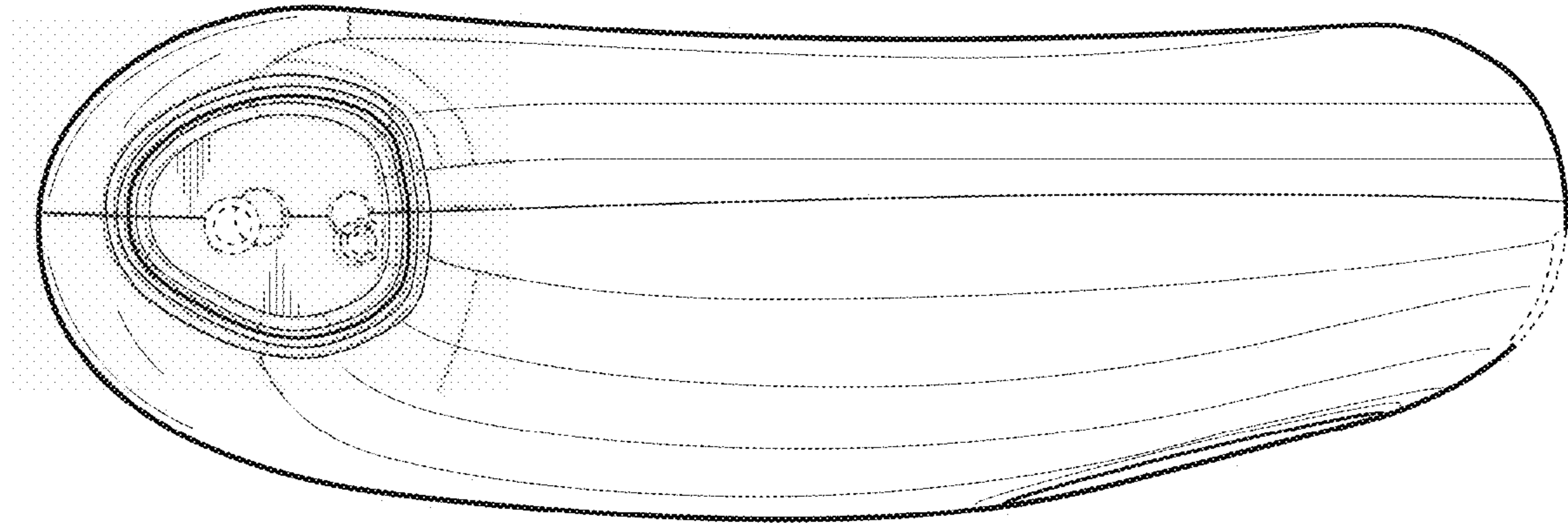


FIG. 2

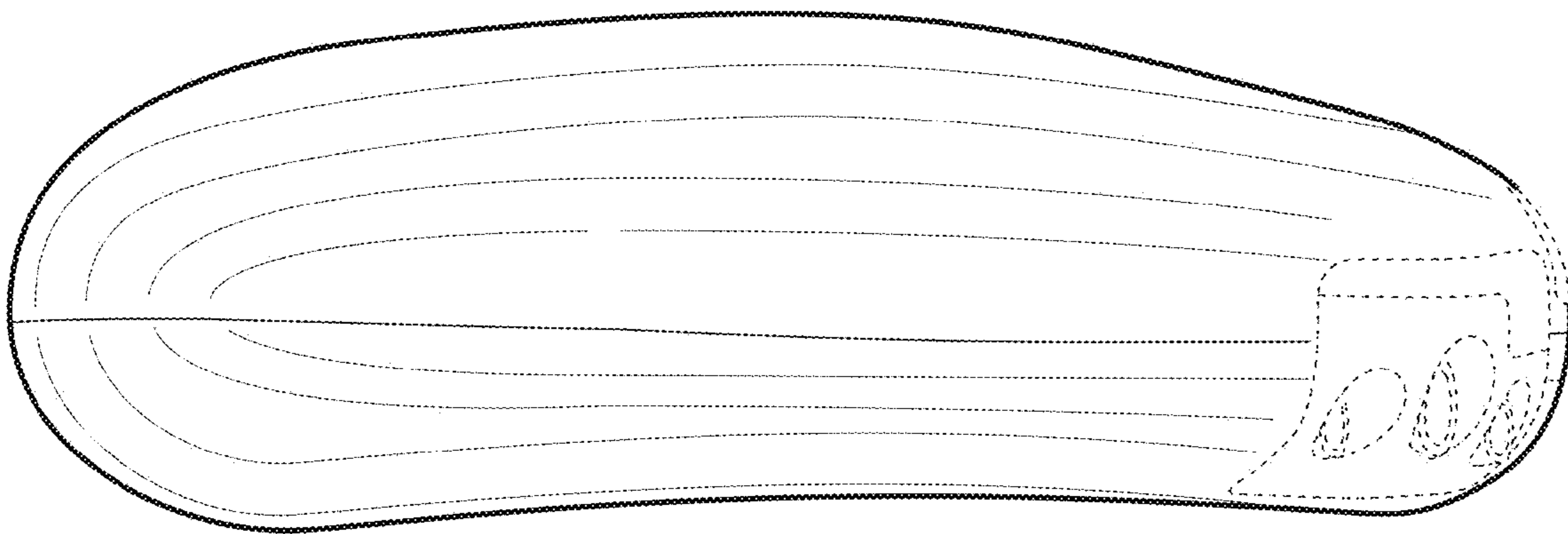


FIG. 3

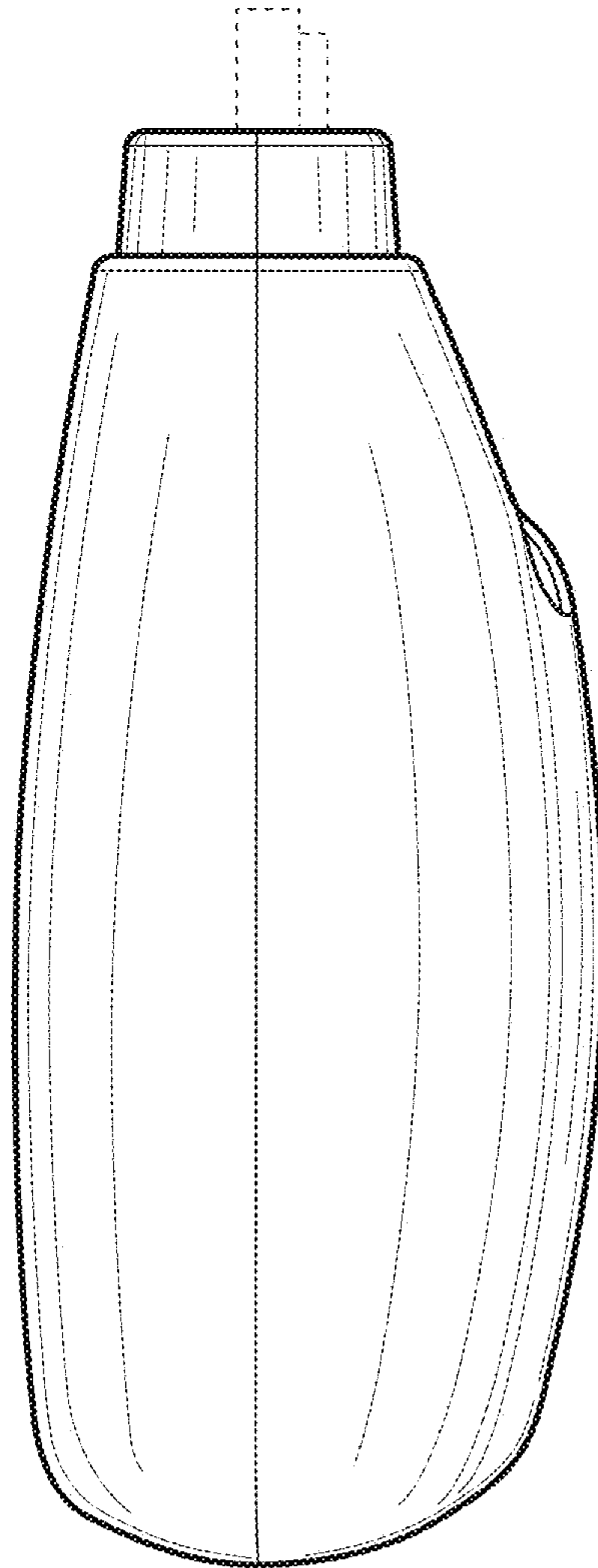


FIG. 4

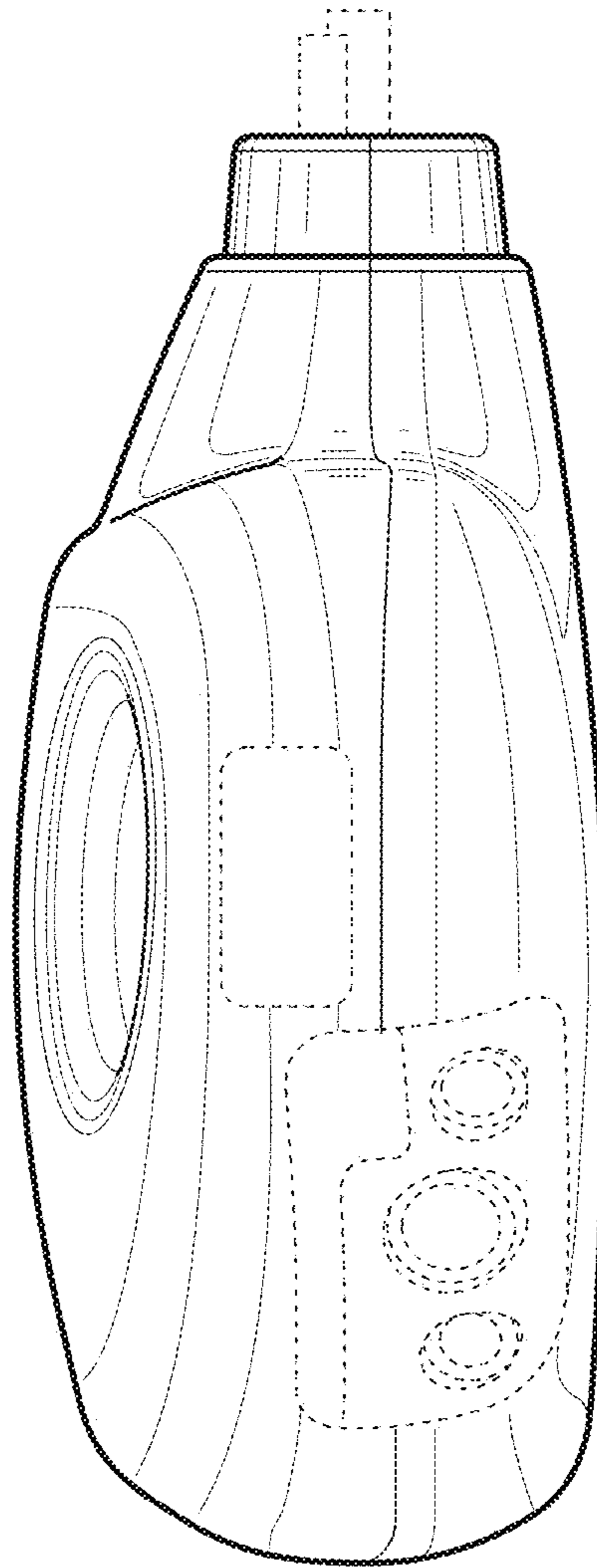


FIG. 5

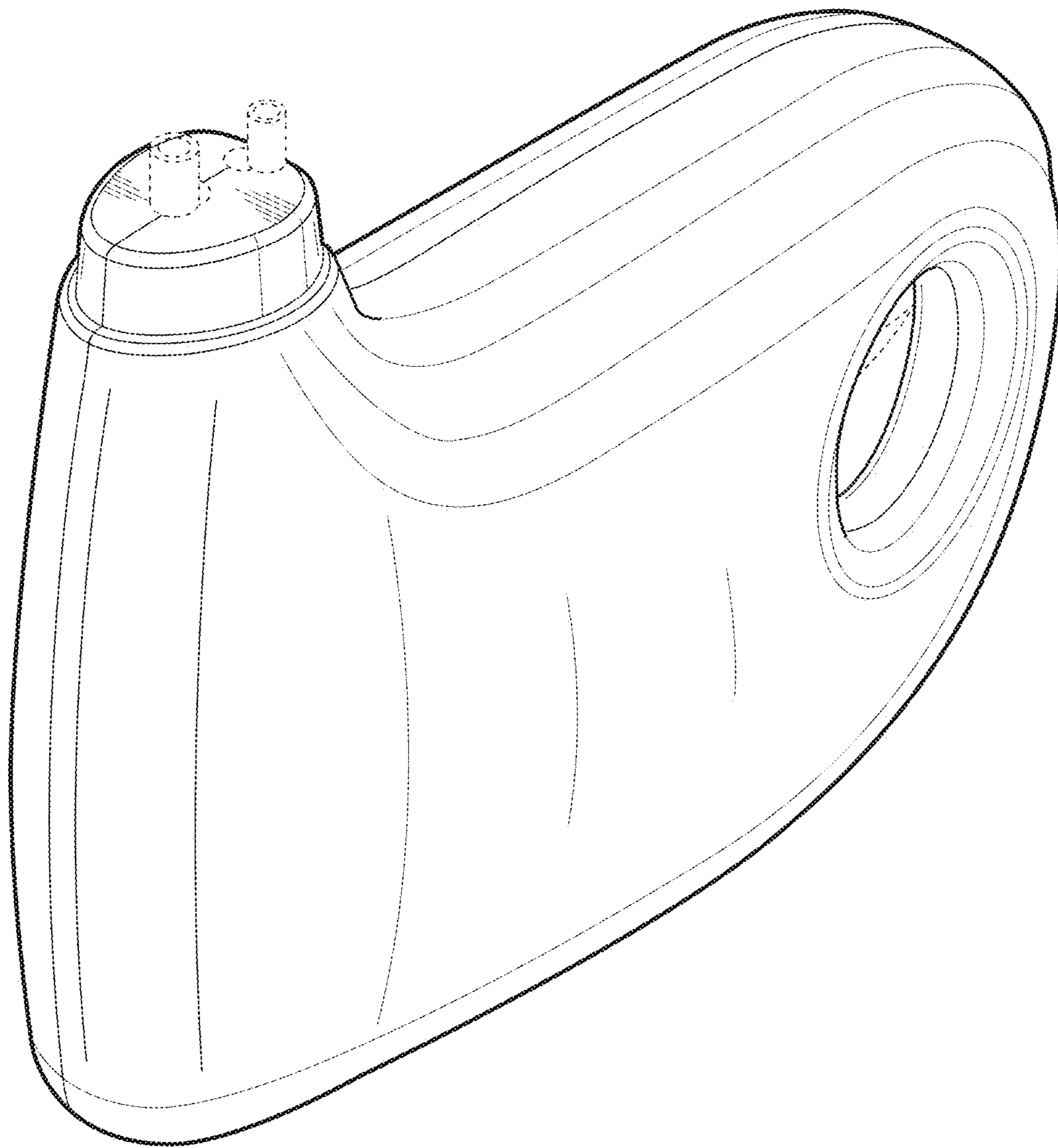


FIG. 6