



US00D882062S

(12) **United States Design Patent** (10) **Patent No.:** **US D882,062 S**
Brown (45) **Date of Patent:** **** Apr. 21, 2020**

- (54) **SHIELD AND INSERT SET FOR BREAST PUMP**
- (71) Applicant: **Craig E Brown**, Chesterfield, MO (US)
- (72) Inventor: **Craig E Brown**, Chesterfield, MO (US)
- (73) Assignee: **NEWVENTS, LLC**, Shelbyville, IL (US)
- (**) Term: **15 Years**
- (21) Appl. No.: **29/651,629**
- (22) Filed: **Nov. 6, 2018**
- (51) **LOC (12) Cl.** **24-02**
- (52) **U.S. Cl.**
USPC **D24/109**
- (58) **Field of Classification Search**
USPC D24/107-109, 127, 193; D7/700
CPC A61M 1/062; A61M 1/06; A61M 1/066;
A61M 1/064; A61J 13/00
See application file for complete search history.

- (56) **References Cited**
U.S. PATENT DOCUMENTS
- 5,049,126 A * 9/1991 Larsson A61M 1/066
604/74
- 5,100,406 A * 3/1992 Panchula A61M 1/066
604/74
- 5,885,246 A * 3/1999 Ford A61M 1/066
604/74
- D446,852 S * 8/2001 Johansen D24/109
- D456,897 S * 5/2002 Atkin D24/109
- 6,579,258 B1 * 6/2003 Atkin A61M 1/066
604/74
- D683,442 S * 5/2013 Cudworth D24/109
- 9,265,869 B2 * 2/2016 Darnell A61M 1/06
- 2003/0153869 A1 * 8/2003 Ytteborg A61M 1/064
604/74
- 2005/0154348 A1 * 7/2005 Lantz A61M 1/06
604/74

- 2005/0159701 A1 * 7/2005 Conaway A61M 1/06
604/74
- 2008/0208115 A1 * 8/2008 Kliegman A61M 1/06
604/74
- 2008/0243061 A1 * 10/2008 Britto A61M 1/06
604/74
- 2014/0323962 A1 * 10/2014 Kooijker A61M 1/06
604/74
- 2016/0015876 A1 * 1/2016 Tattersfield A61M 1/064
604/74

* cited by examiner

Primary Examiner — Lilyana Bekic
(74) *Attorney, Agent, or Firm* — Paul M. Denk

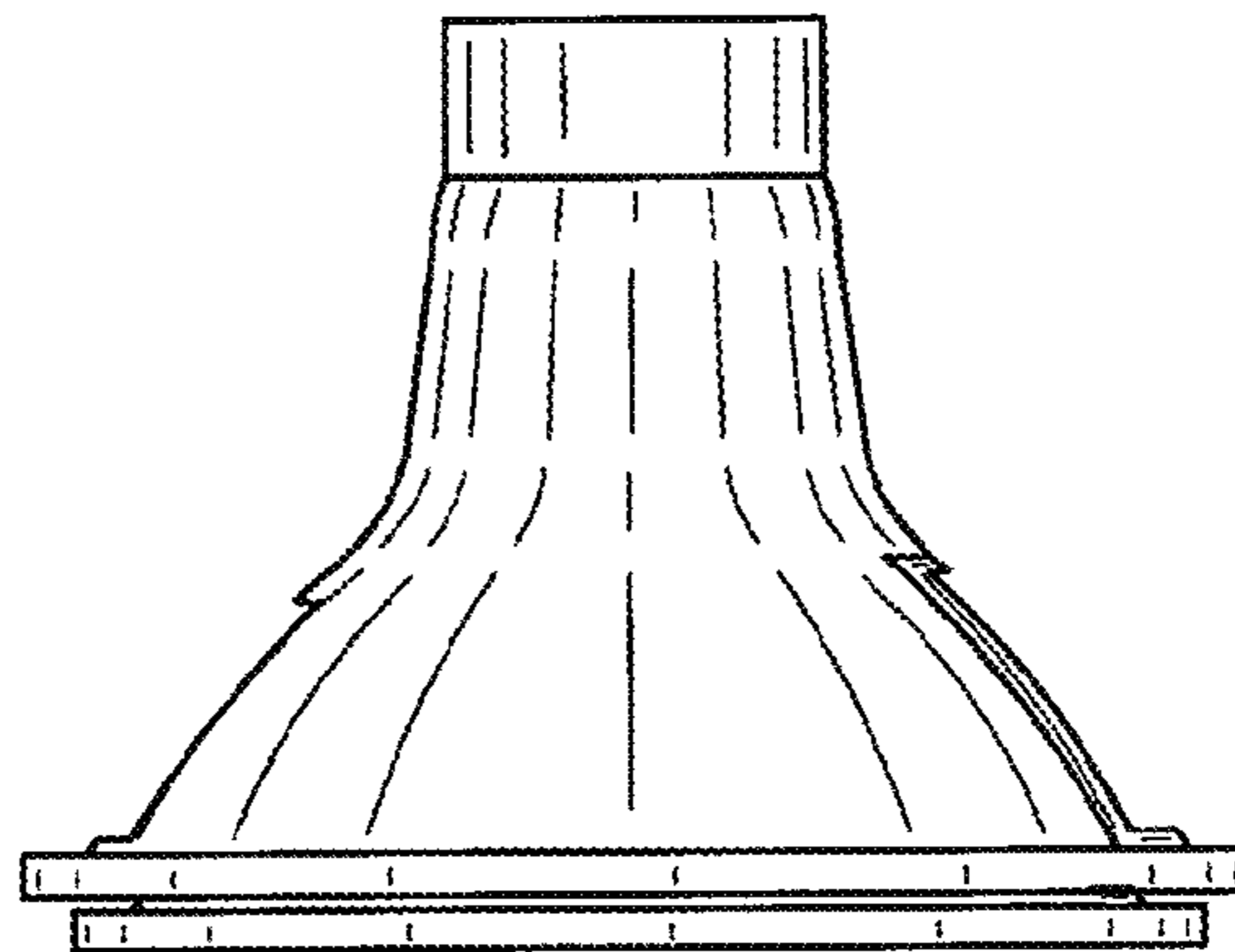
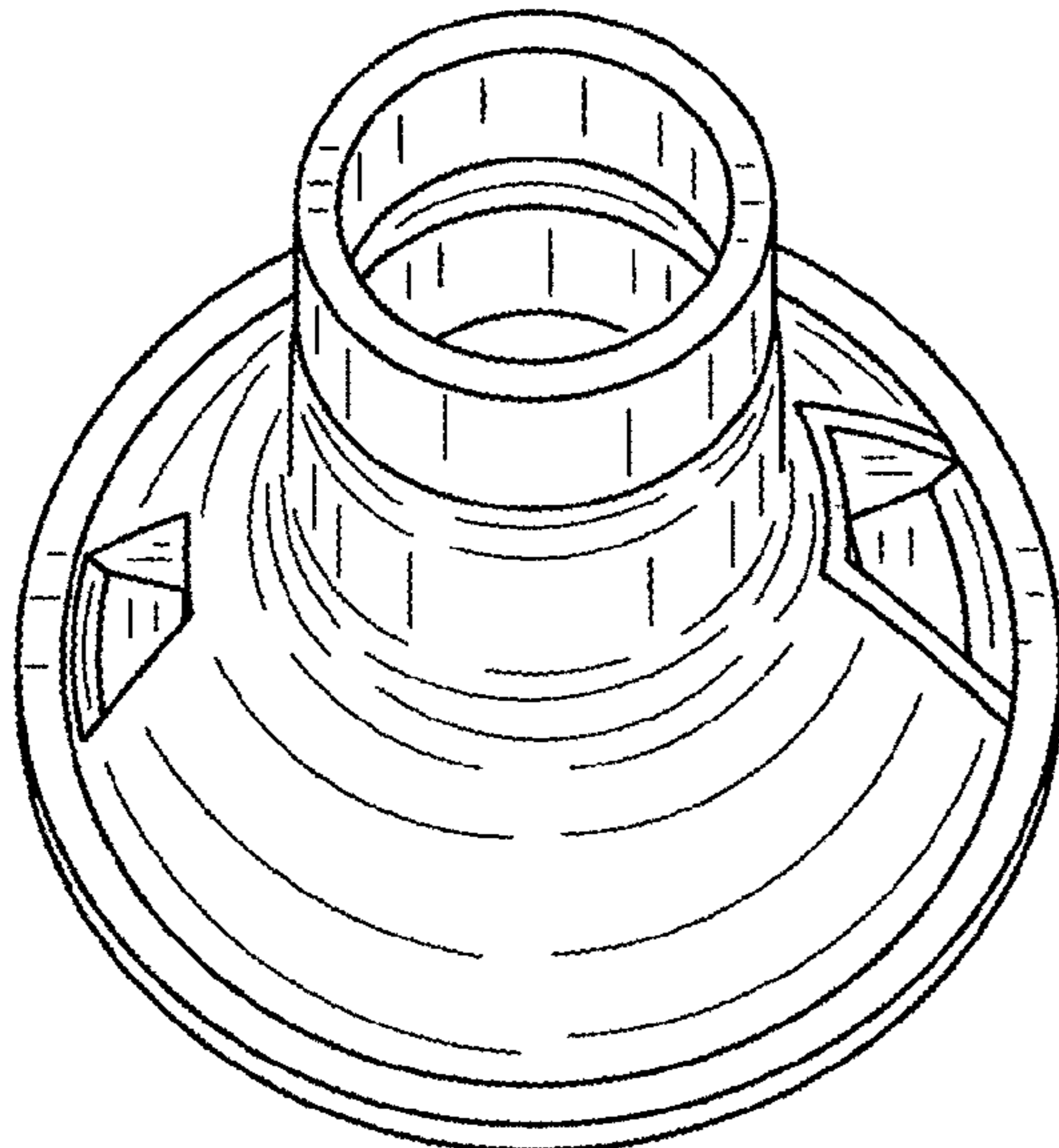
(57) **CLAIM**

The ornamental design for a shield and insert set for breast pump, as shown and described.

DESCRIPTION

FIG. 1 is an isometric view of the shield for a shield and insert set for breast pump, showing my new design;
 FIG. 2 is a front view thereof;
 FIG. 3 is a back view thereof;
 FIG. 4 is a left side view thereof;
 FIG. 5 is a right-side view thereof;
 FIG. 6 is a top view thereof;
 FIG. 7 is a bottom view thereof;
 FIG. 8 is an isometric view of the insert for a shield and insert set for breast pump;
 FIG. 9 is a front view thereof;
 FIG. 10 is a rear view thereof;
 FIG. 11 is a left side view thereof;
 FIG. 12 is a right-side view thereof;
 FIG. 13 is a top view thereof; and
 FIG. 14 is a bottom view thereof;
 FIG. 15 is a front exploded view of the shield and insert set for breast pump; and,
 FIG. 16 is a front view thereof, shown assembled.

1 Claim, 5 Drawing Sheets



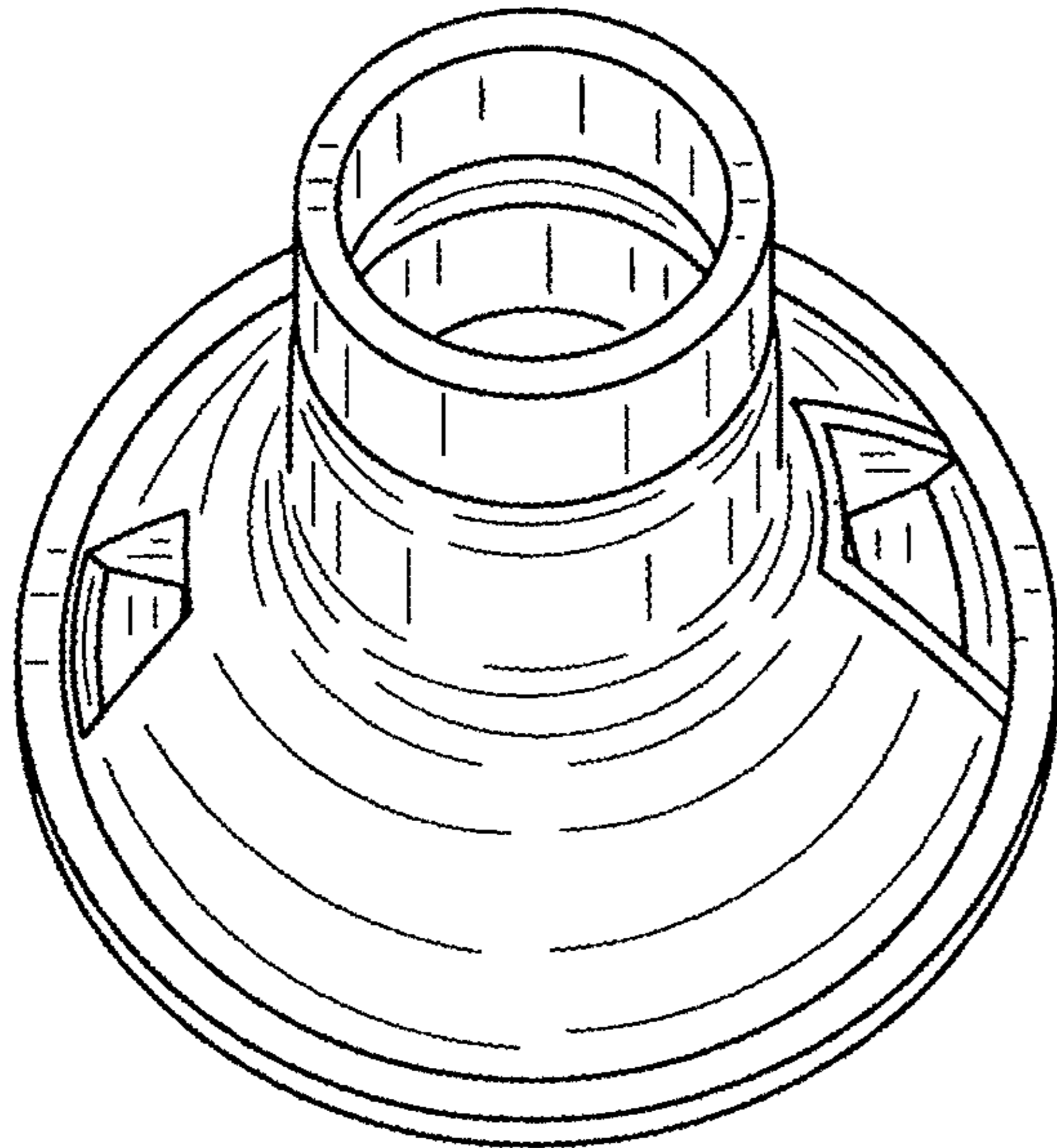


FIG. 1

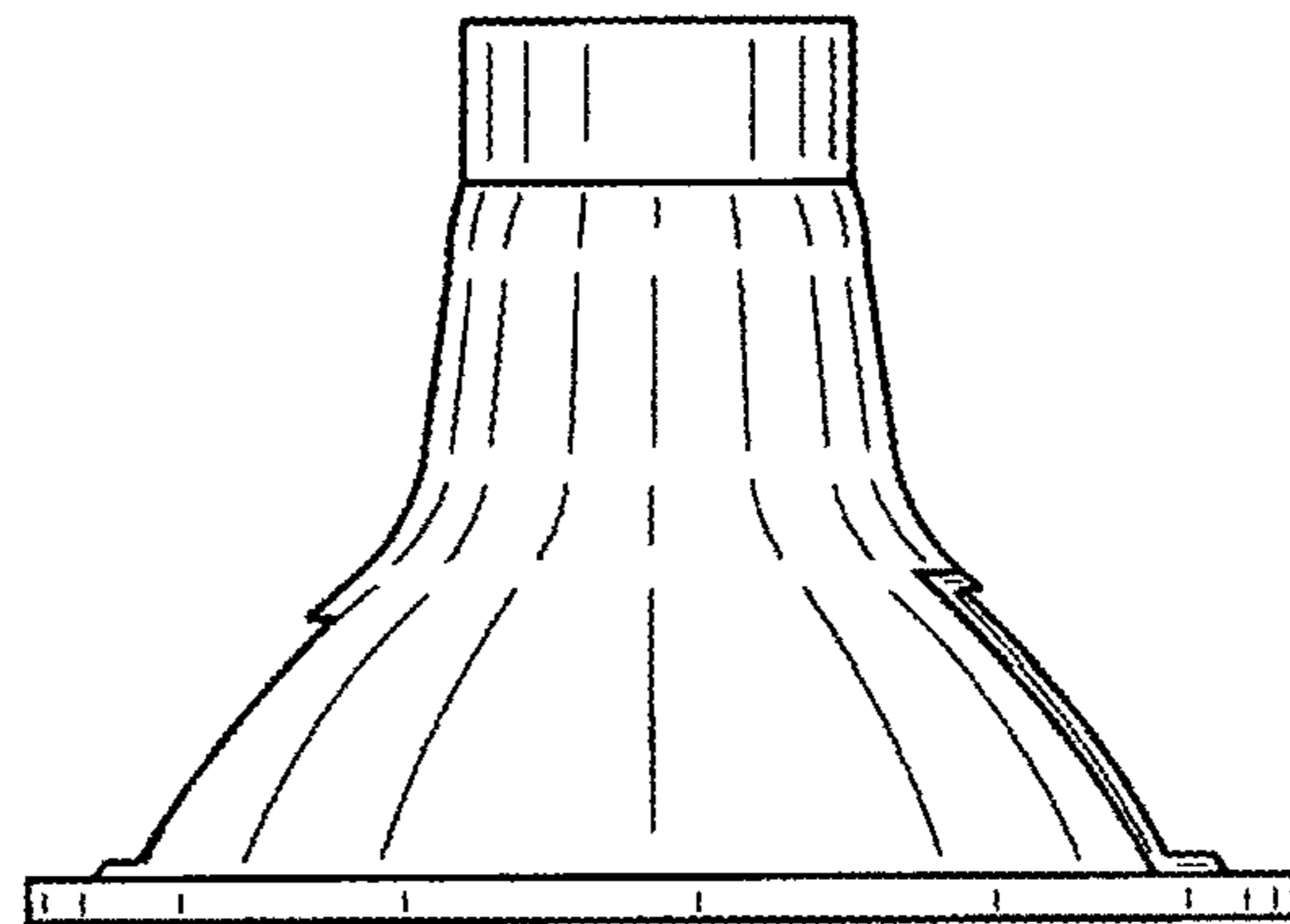


FIG. 2

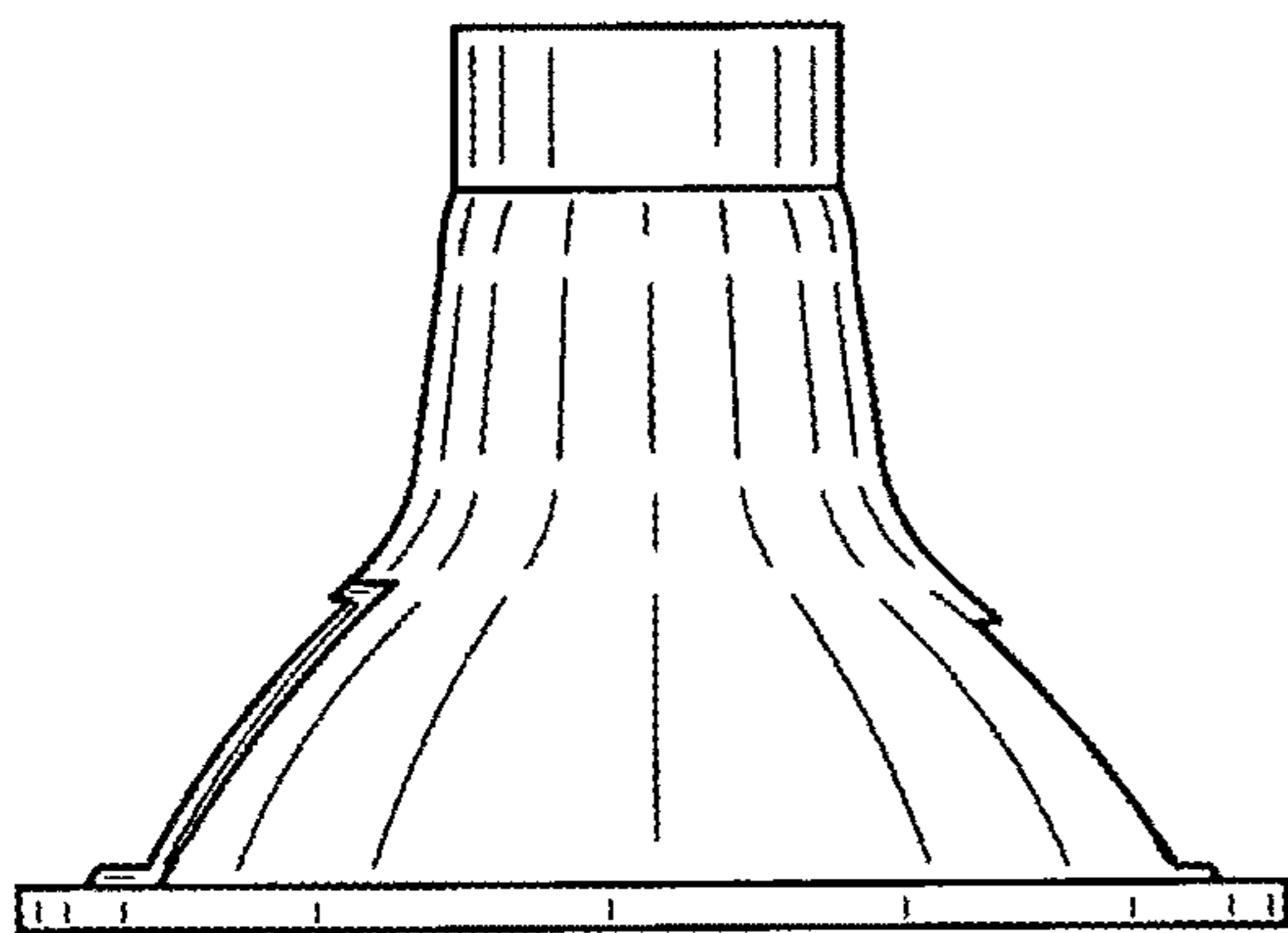


FIG. 3

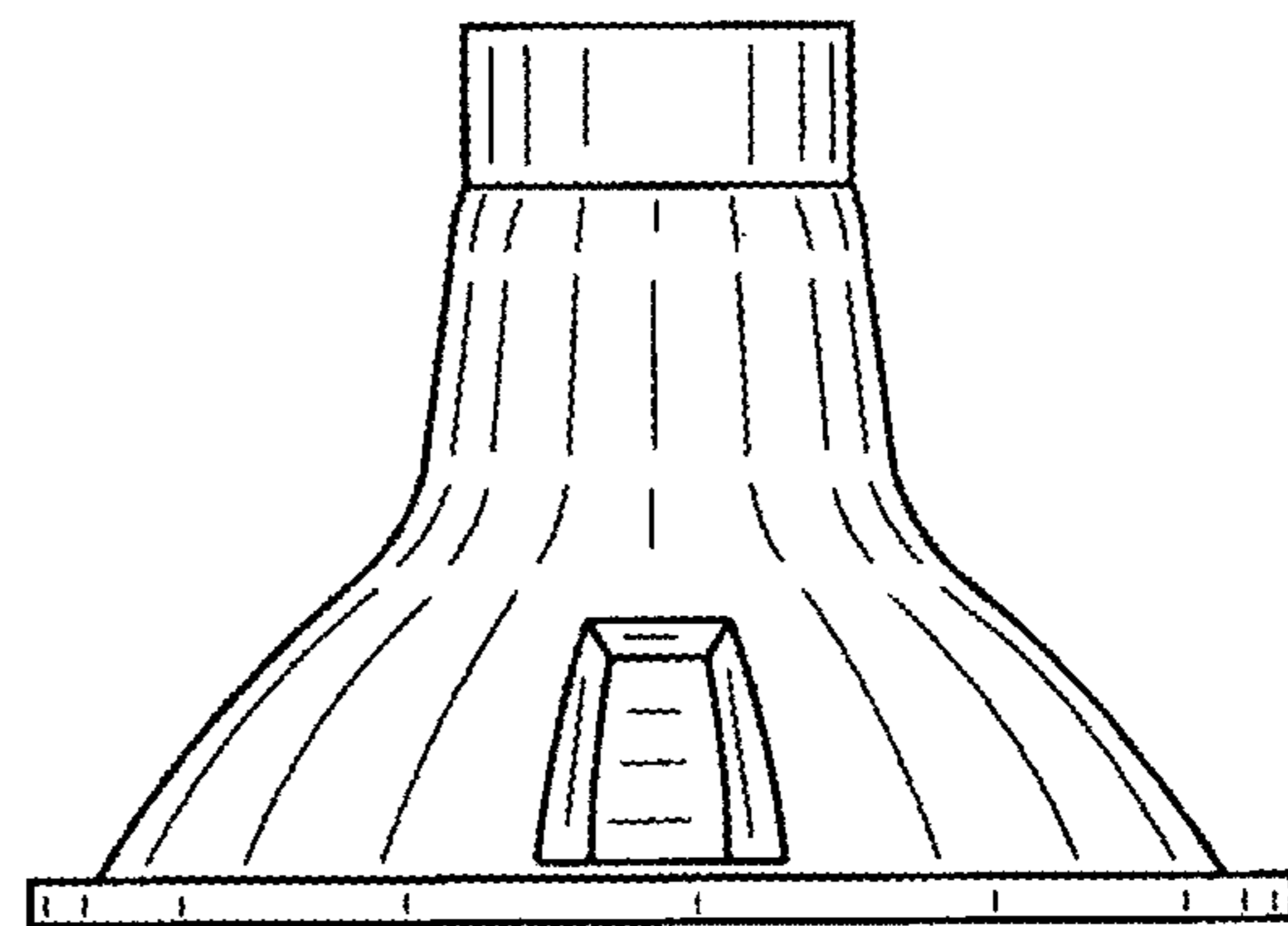


FIG. 4

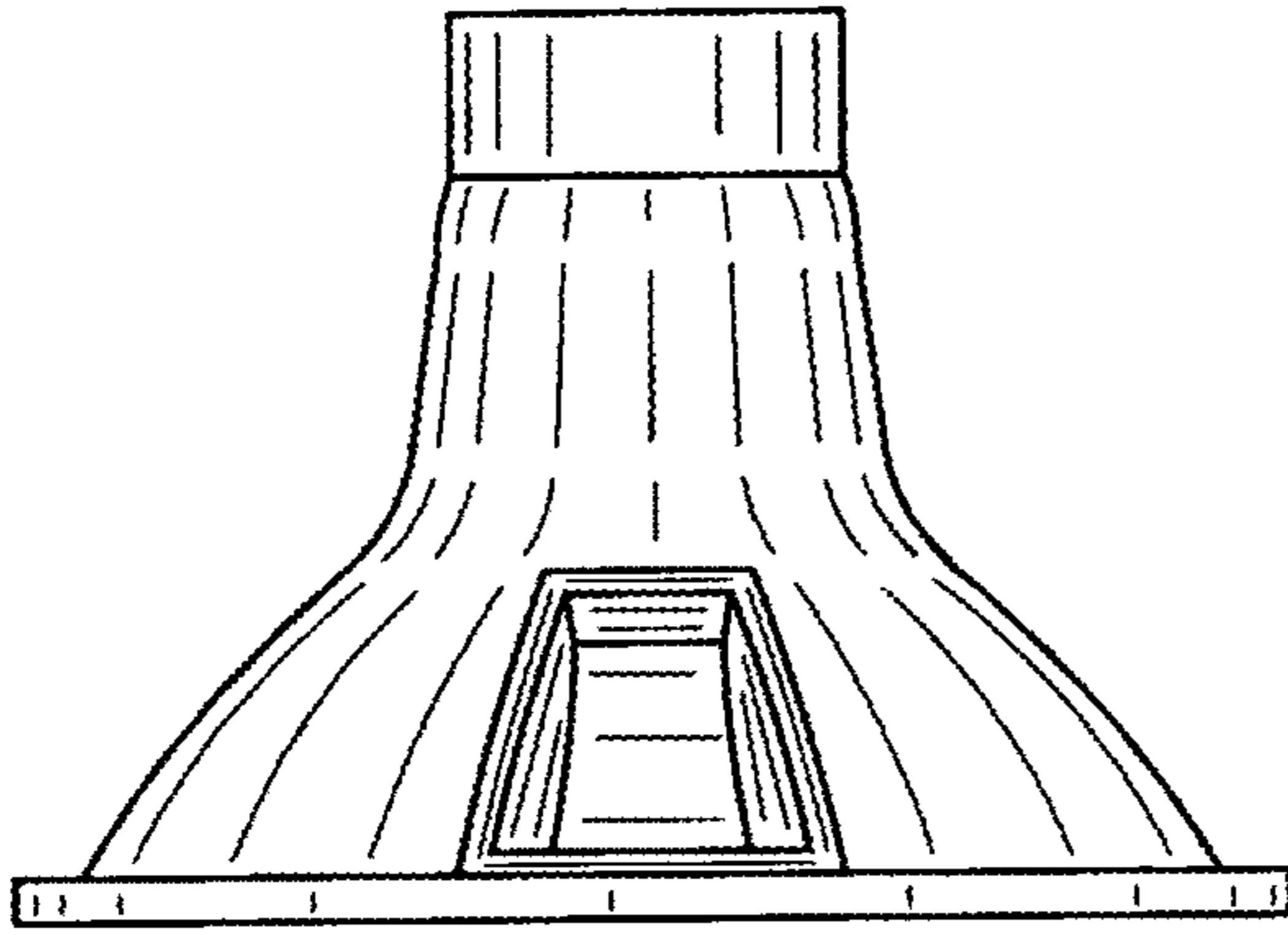


FIG. 5

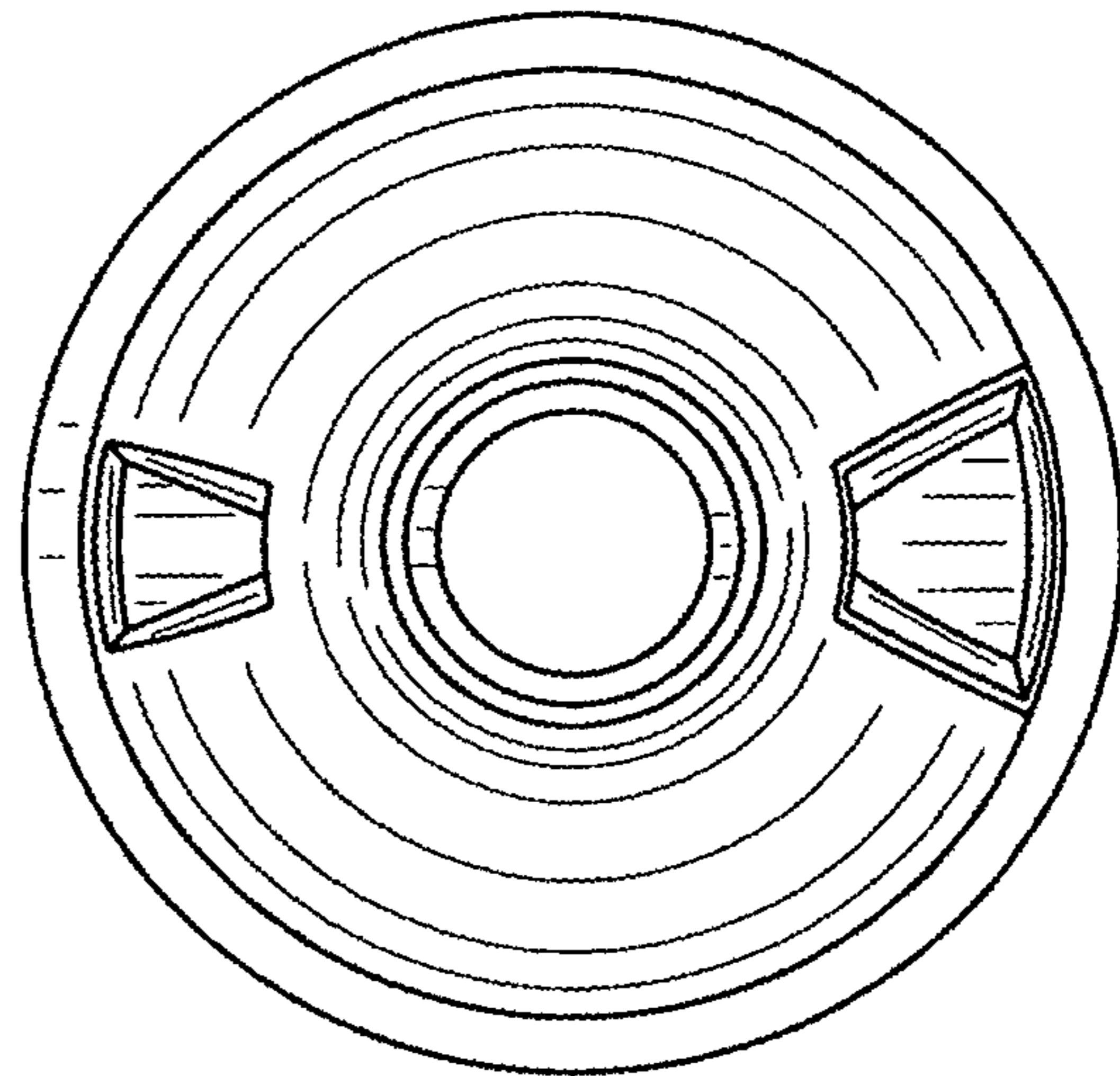


FIG. 6

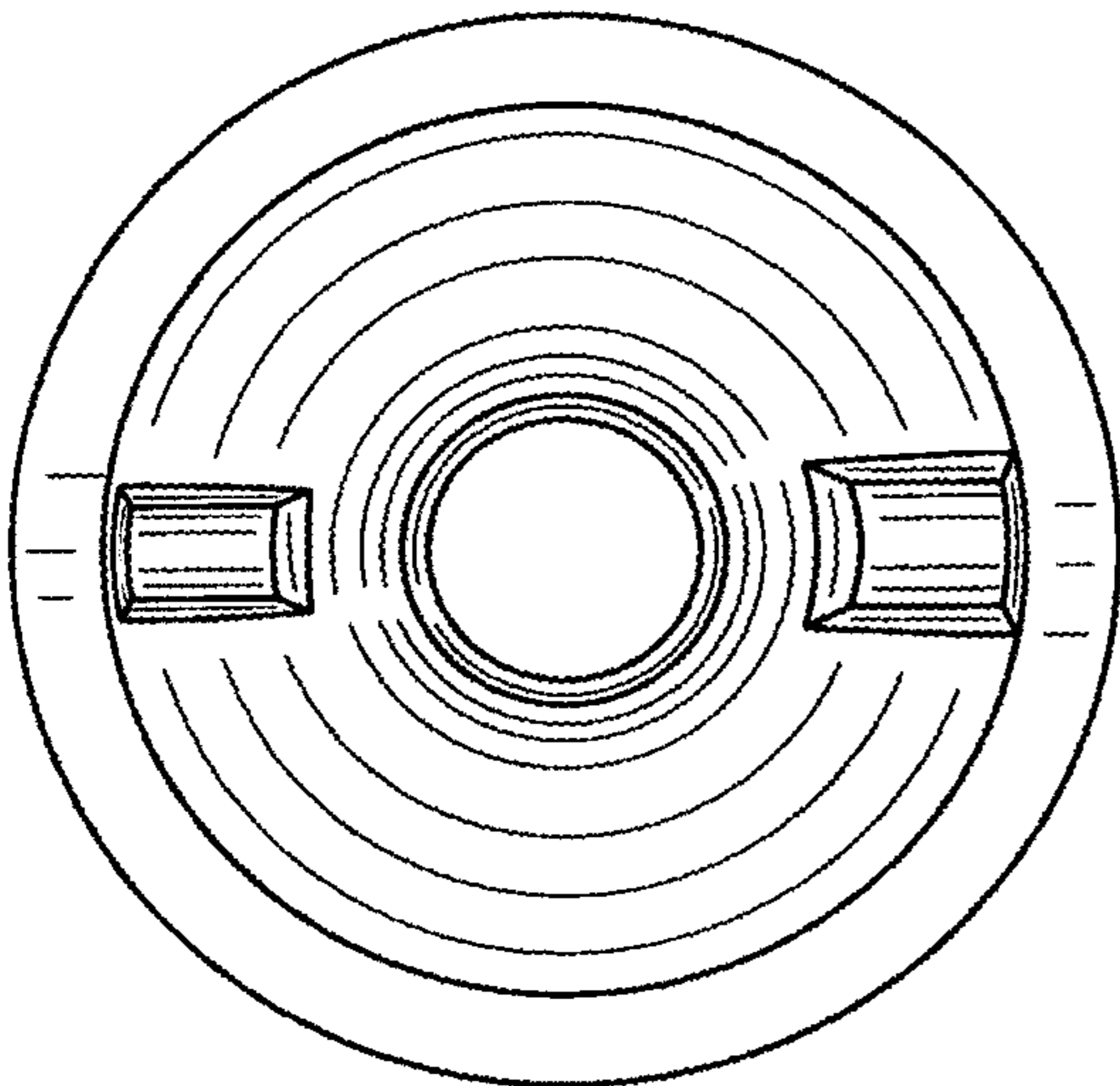


FIG. 7

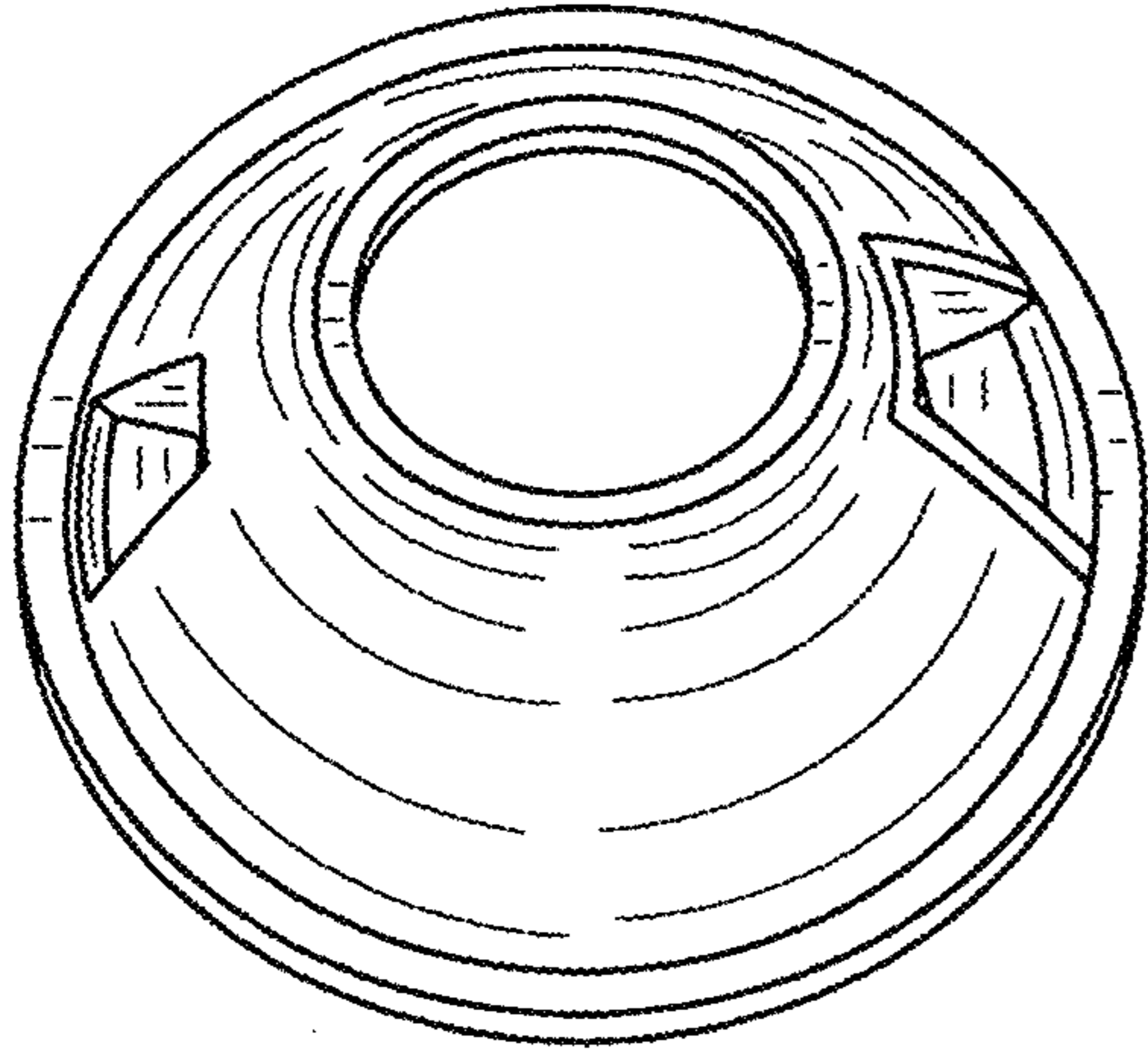


FIG. 8

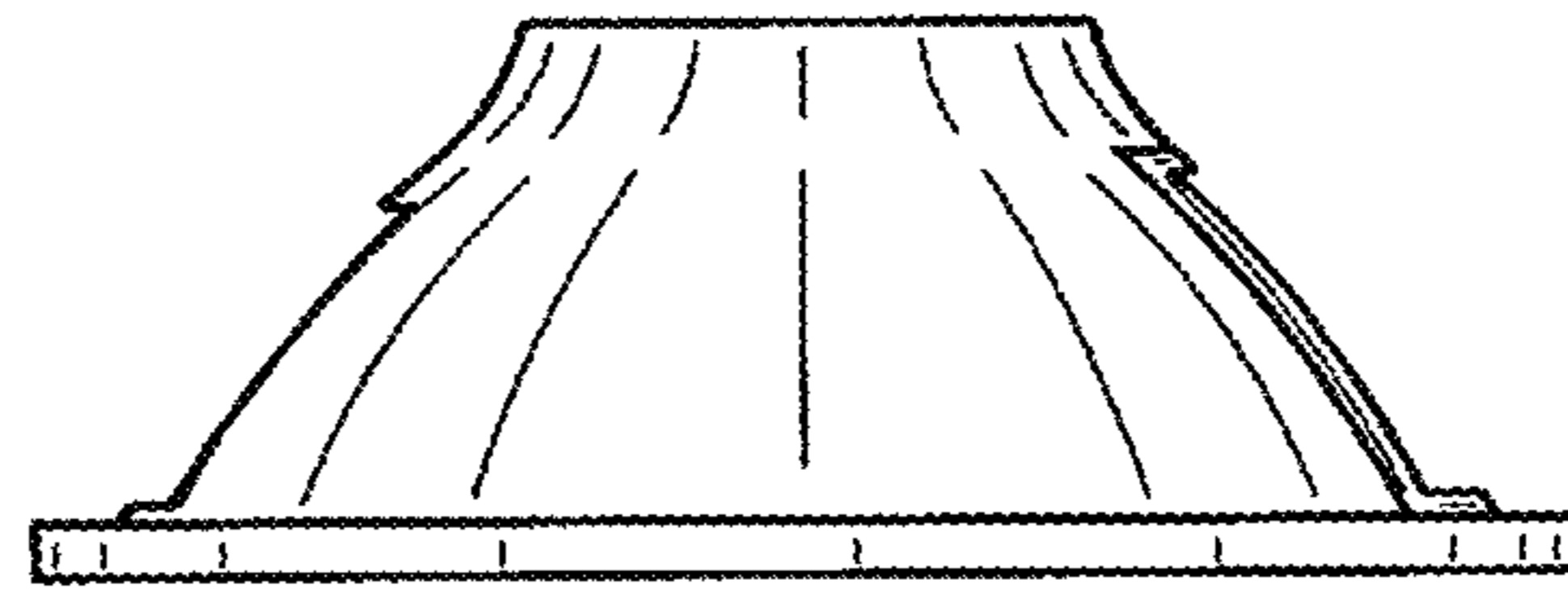


FIG. 9

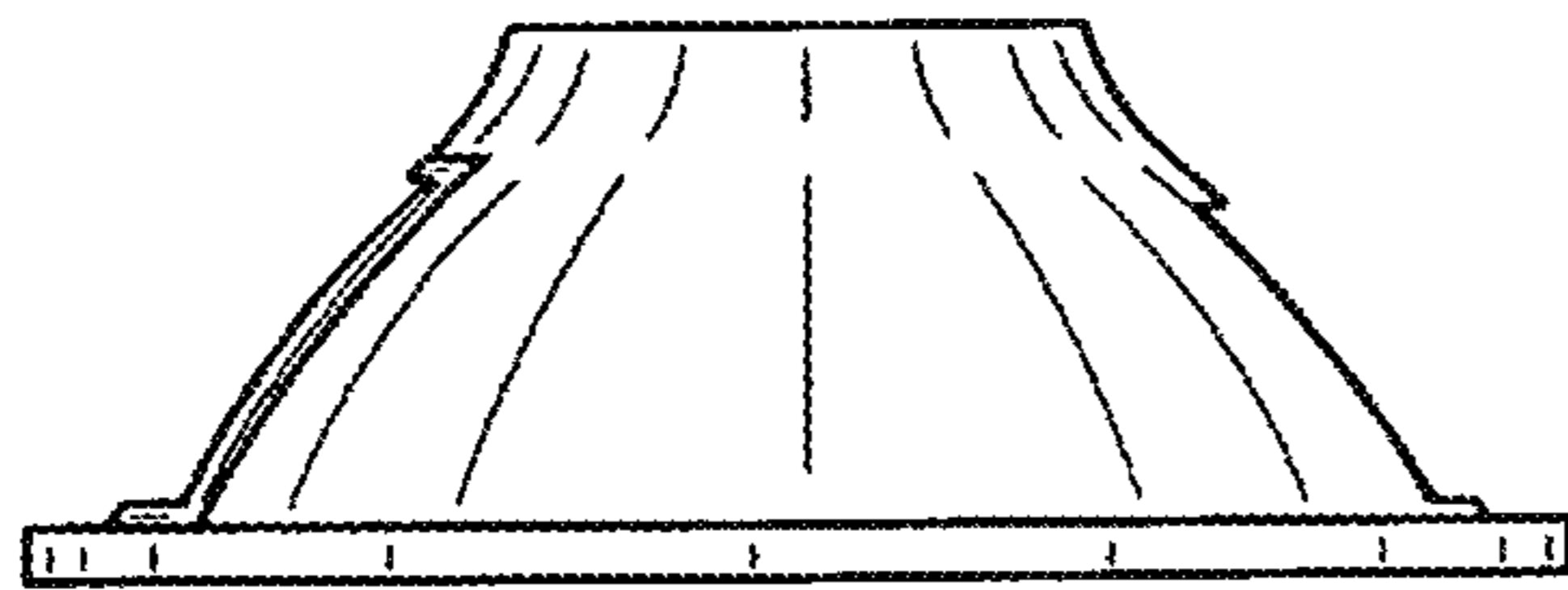


FIG. 10

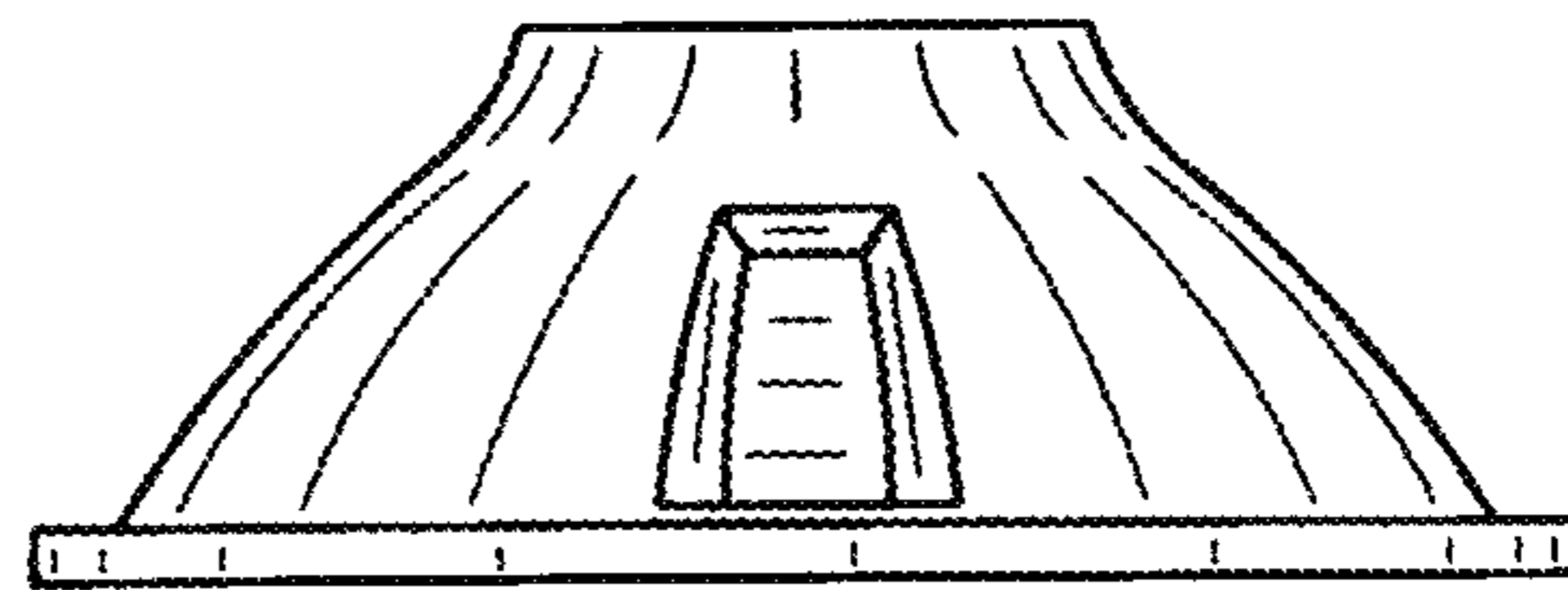


FIG. 11

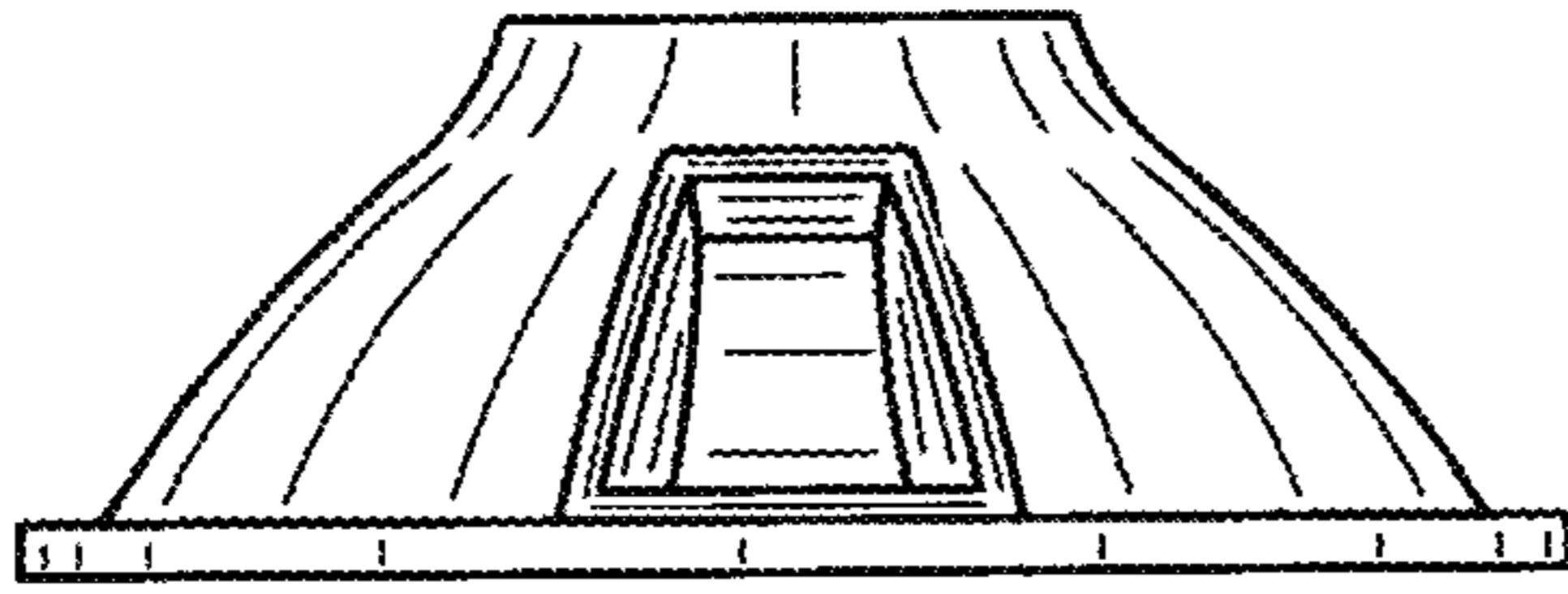


FIG. 12

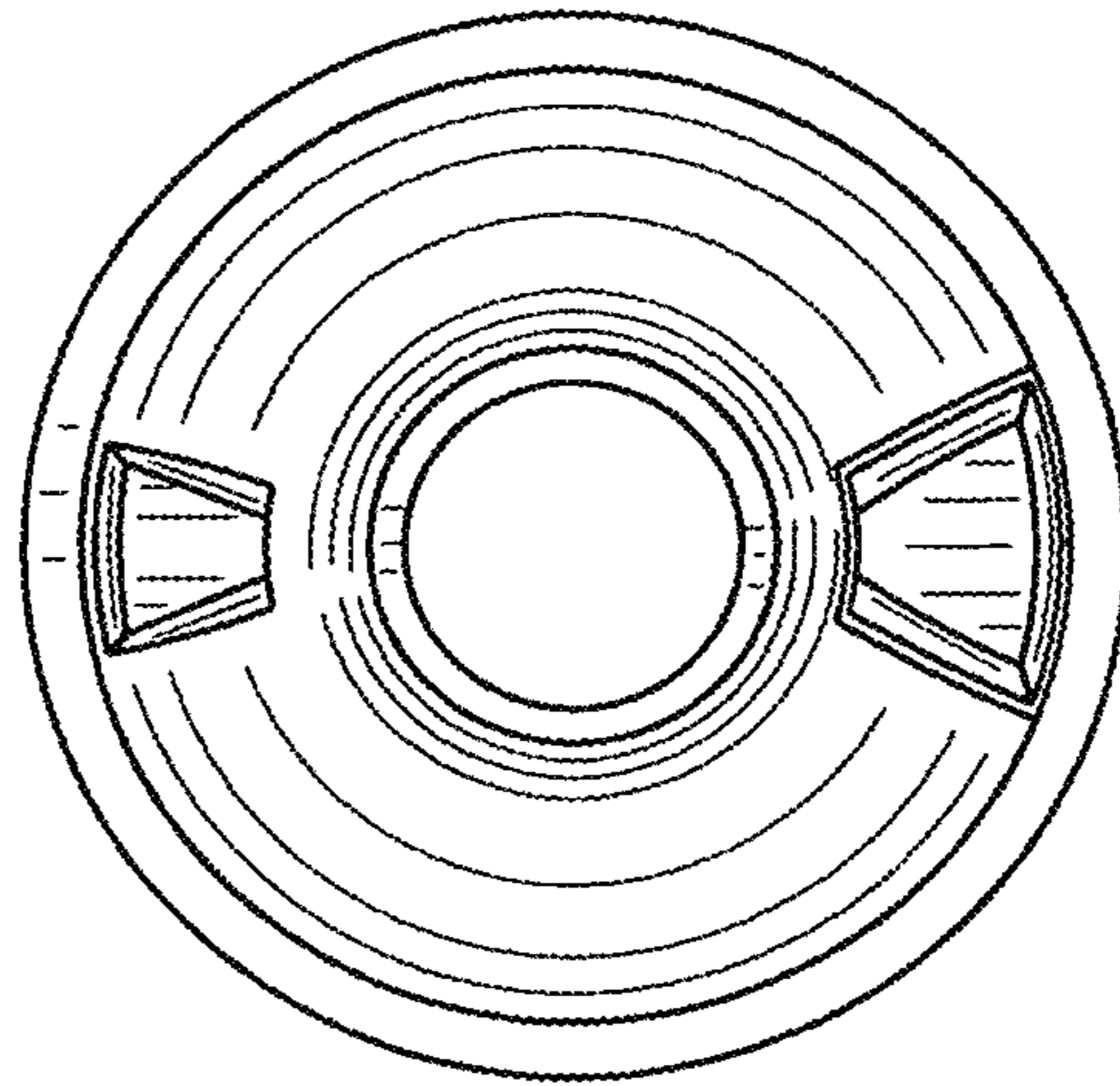


FIG. 13

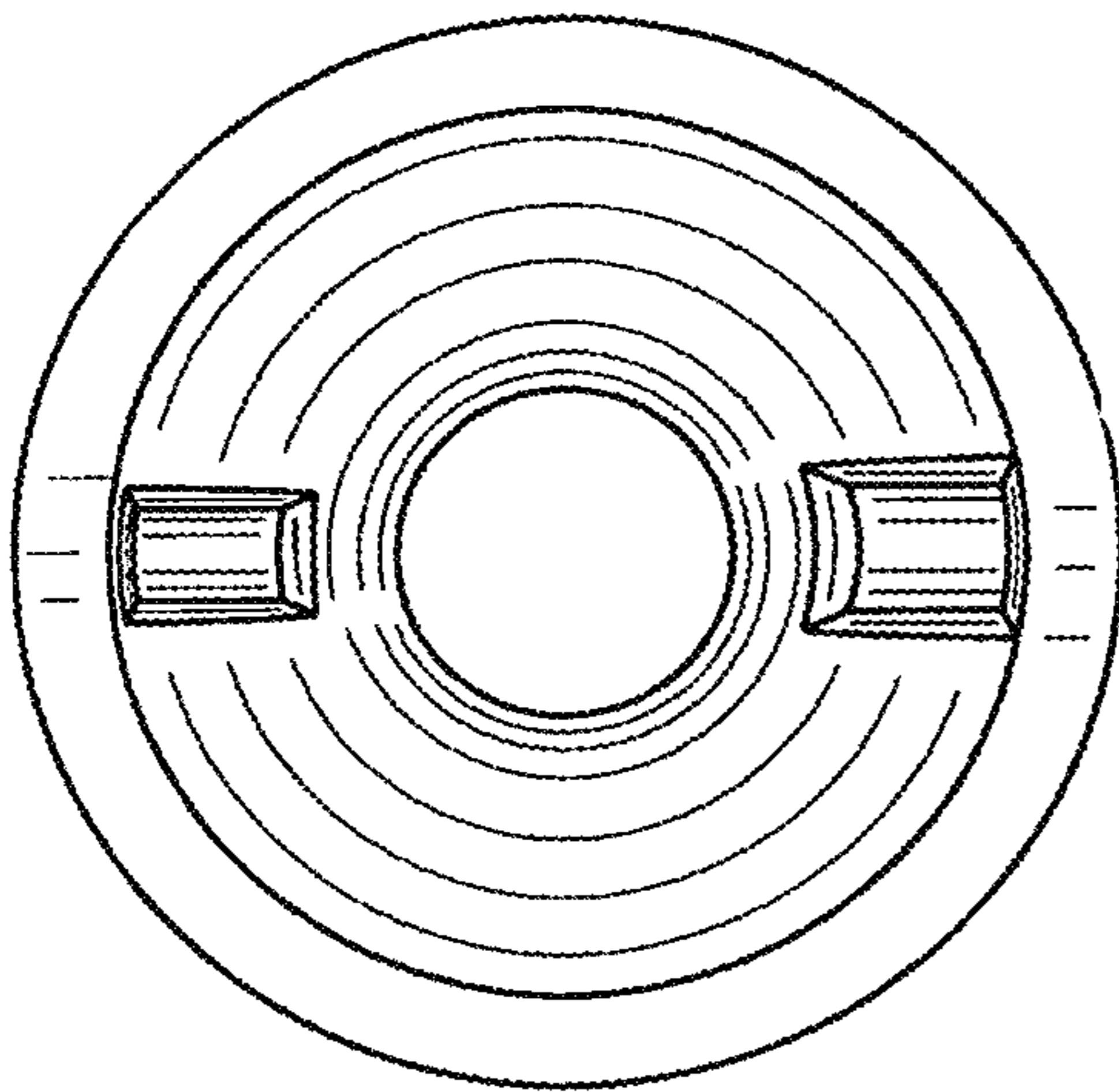


FIG. 14

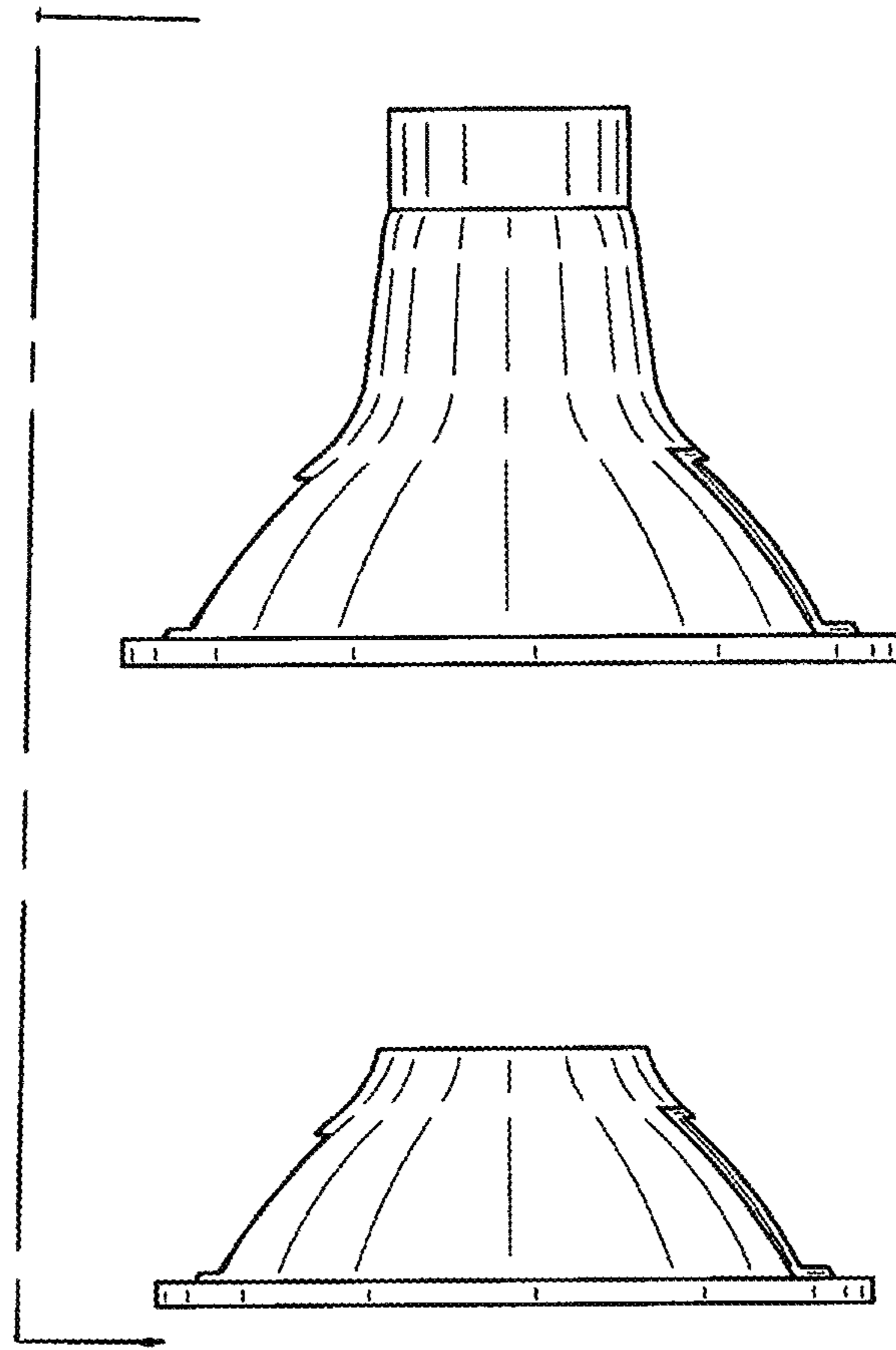


FIG. 15

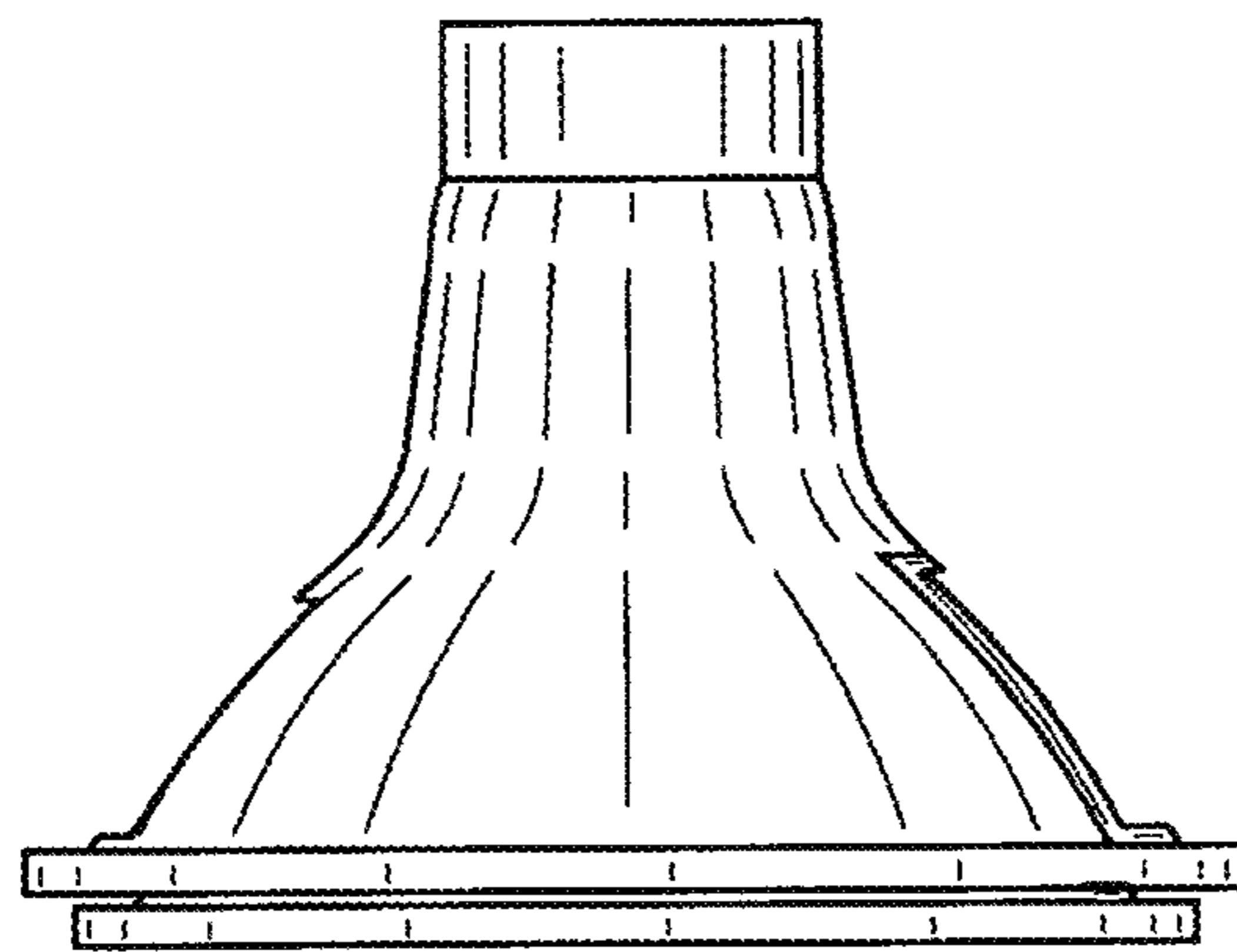


FIG. 16

UNITED STATES PATENT AND TRADEMARK OFFICE
CERTIFICATE OF CORRECTION

PATENT NO. : D882,062 S
APPLICATION NO. : 29/651629
DATED : April 21, 2020
INVENTOR(S) : Craig E. Brown

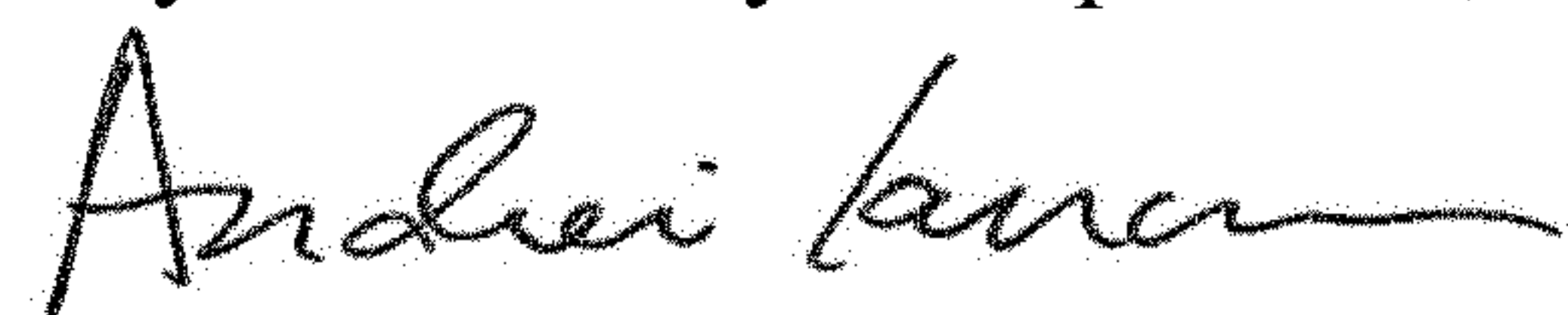
Page 1 of 1

It is certified that error appears in the above-identified patent and that said Letters Patent is hereby corrected as shown below:

On the Title Page

Item (73), the Assignee is listed as NEWVENTS, LLC, when the true Assignee is TRUVENTS, LLC.

Signed and Sealed this
Twenty-second Day of September, 2020



Andrei Iancu
Director of the United States Patent and Trademark Office