



US00D882059S

(12) **United States Design Patent** (10) **Patent No.:** **US D882,059 S**
McRoberts (45) **Date of Patent:** **** Apr. 21, 2020**

(54) **CEILING FAN**
 (71) Applicant: **HUNTER FAN COMPANY**,
 Memphis, TN (US)
 (72) Inventor: **Claire Bernice McRoberts**, Memphis,
 TN (US)
 (73) Assignee: **Hunter Fan Company**, Memphis, TN
 (US)
 (**) Term: **15 Years**
 (21) Appl. No.: **29/599,376**

D761,949 S *	7/2016	Badarello	D23/377
D795,410 S *	8/2017	Holmes	D23/377
D799,661 S *	10/2017	Holmes	D23/377
D801,510 S *	10/2017	O'Connell	D23/377
D807,491 S *	1/2018	Haggar	D23/377
D810,912 S *	2/2018	McRoberts	D23/377
D811,578 S *	2/2018	Badarello	D23/411
D825,736 S *	8/2018	Badarello	D23/411
D844,771 S *	4/2019	Badarello	D23/411
D844,772 S *	4/2019	Badarello	D23/411
D849,225 S *	5/2019	Schulzman	D23/377
D850,605 S *	6/2019	Ertze	D23/377
D850,606 S *	6/2019	Wang	D23/377
D861,153 S *	9/2019	Chen	D23/377
D866,746 S *	11/2019	Holmes	D23/411
D868,955 S *	12/2019	Gajewski	D23/377

* cited by examiner

(22) Filed: **Apr. 3, 2017**
 (51) **LOC (12) Cl.** **23-04**
 (52) **U.S. Cl.**
 USPC **D23/377**
 (58) **Field of Classification Search**
 USPC D26/59; D23/370, 377-382, 411-414
 CPC F04D 25/088; F04D 29/38; F21V 21/03;
 B63H 1/16
 See application file for complete search history.

Primary Examiner — Janice Hallmark
 (74) *Attorney, Agent, or Firm* — McGarry Bair PC

(57) **CLAIM**

The ornamental design for a ceiling fan, as shown and described.

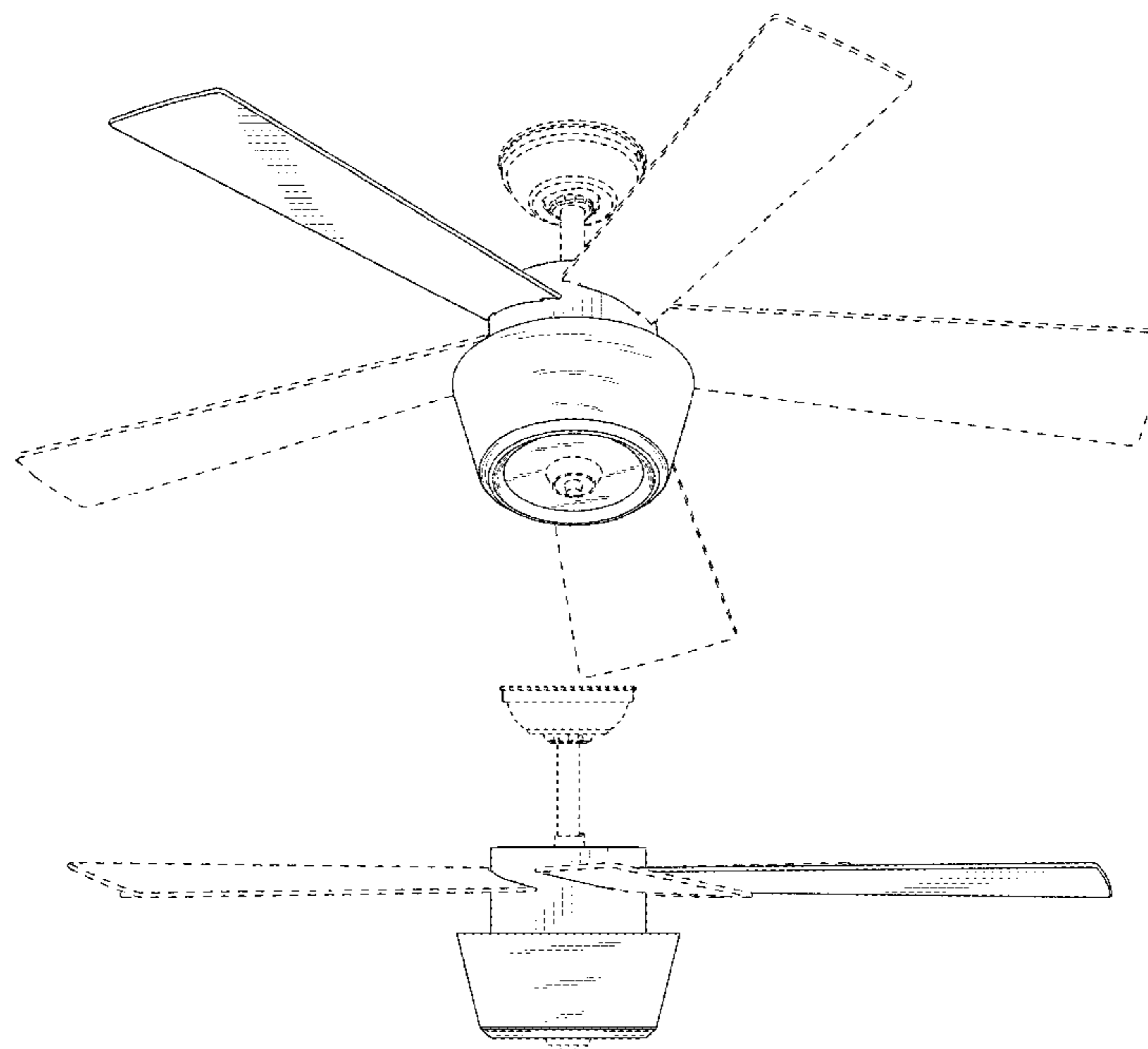
DESCRIPTION

(56) **References Cited**
 U.S. PATENT DOCUMENTS

D268,521 S	4/1983	Clemente	
D311,247 S	10/1990	Sonneman	
D363,362 S	10/1995	Davis, Sr.	
D381,074 S	7/1997	Pelonis	
D435,643 S *	12/2000	Williams D23/377
D451,993 S	12/2001	Hsieh	
D476,406 S	6/2003	Friedes	
D594,540 S	6/2009	Pan	
D598,997 S *	8/2009	Klausing D23/377
D708,314 S	7/2014	Pan	
D744,081 S	11/2015	Wang	
D759,799 S	6/2016	Wang	

FIG. 1 is a top perspective view of a ceiling fan;
 FIG. 2 is a bottom perspective view of the ceiling fan of FIG. 1;
 FIG. 3 is a top view of the ceiling fan of FIG. 1;
 FIG. 4 is a bottom view of the ceiling fan of FIG. 1;
 FIG. 5 is a left side view of the ceiling fan of FIG. 1;
 FIG. 6 is a right side view of the ceiling fan of FIG. 1;
 FIG. 7 is a rear side view of the ceiling fan of FIG. 1; and,
 FIG. 8 is a front side view of the ceiling fan of FIG. 1.
 Portions of the ceiling fan shown in broken line form no part of the claimed design.

1 Claim, 8 Drawing Sheets



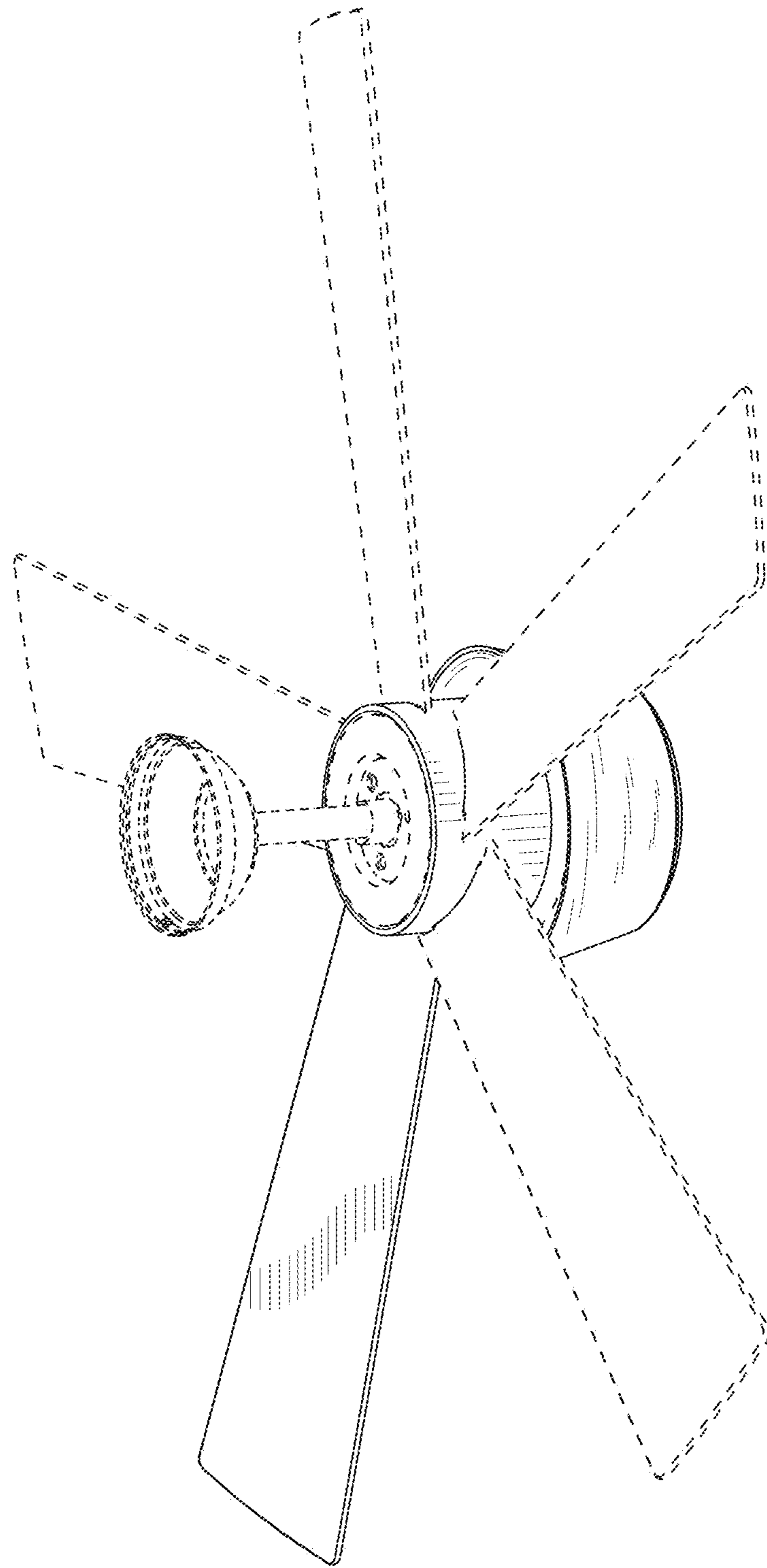


FIG. 1

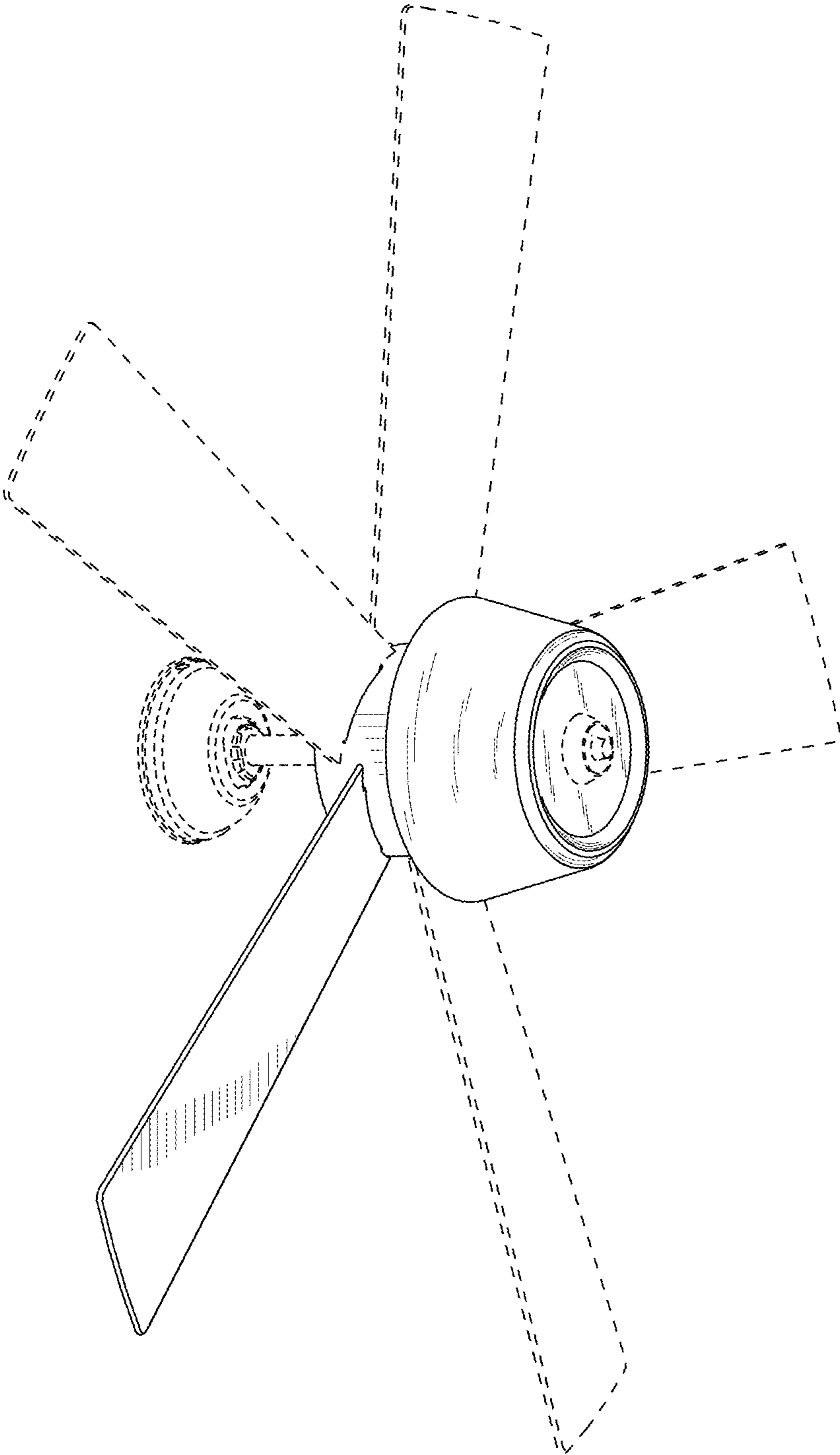


FIG. 2

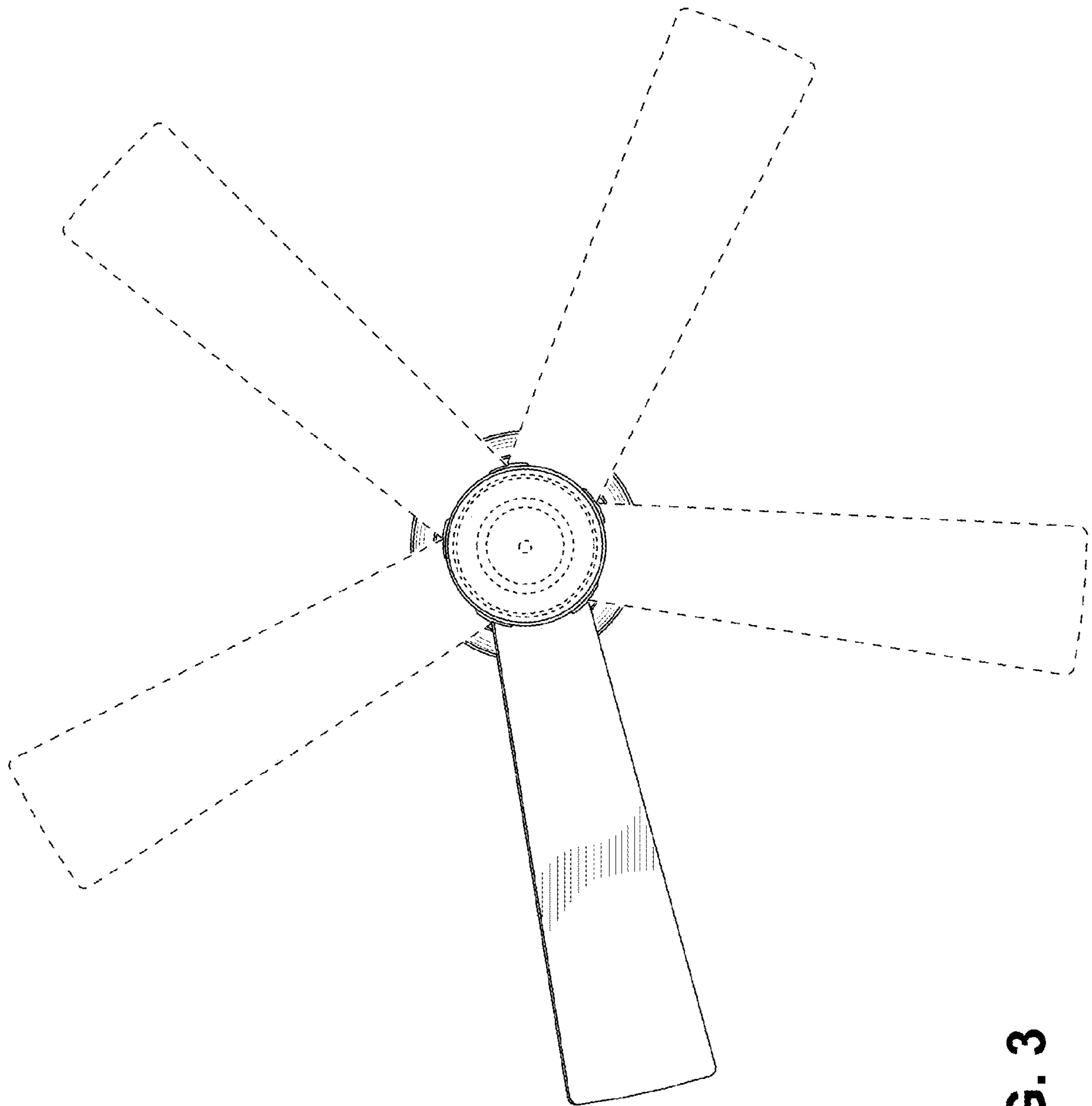


FIG. 3

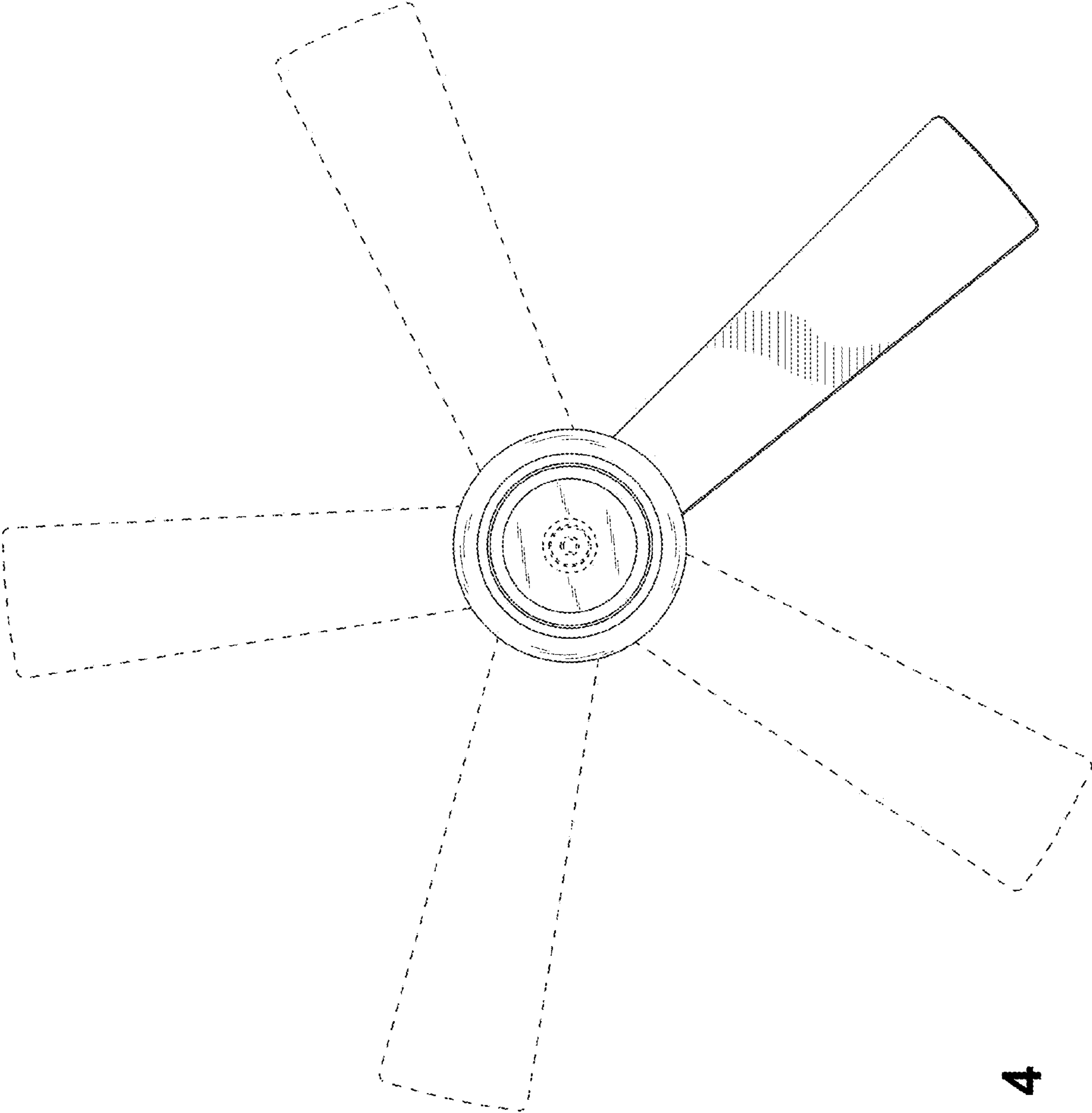


FIG. 4

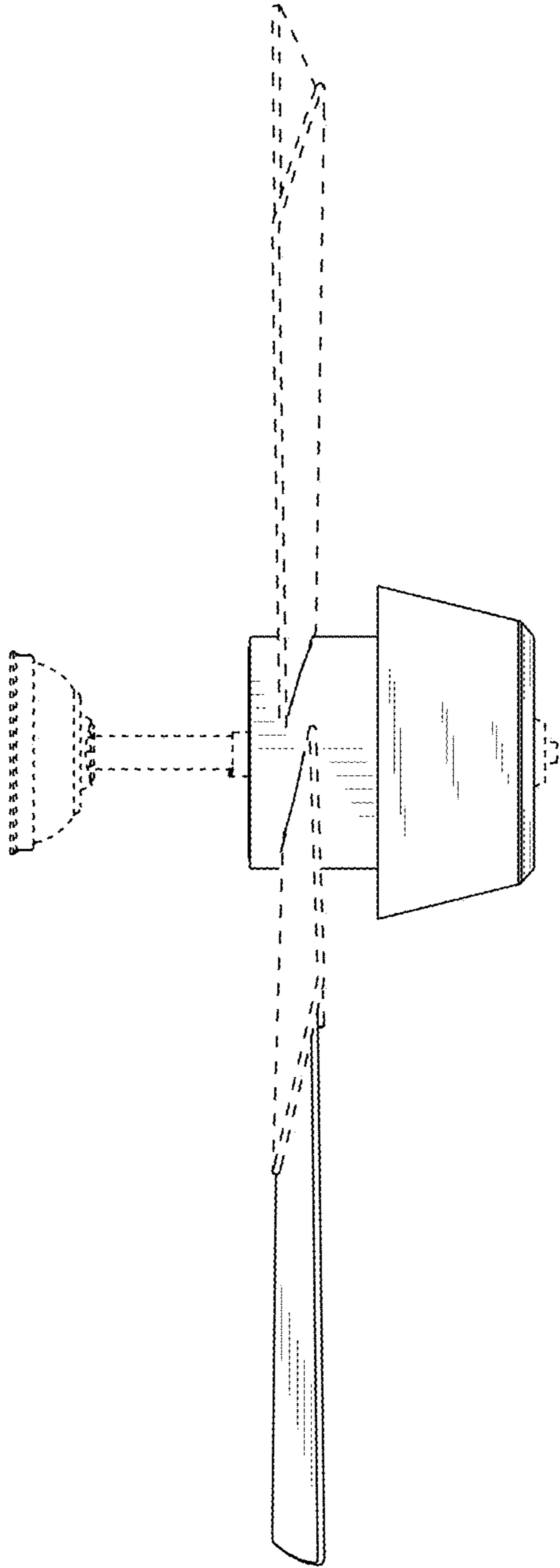


FIG. 5

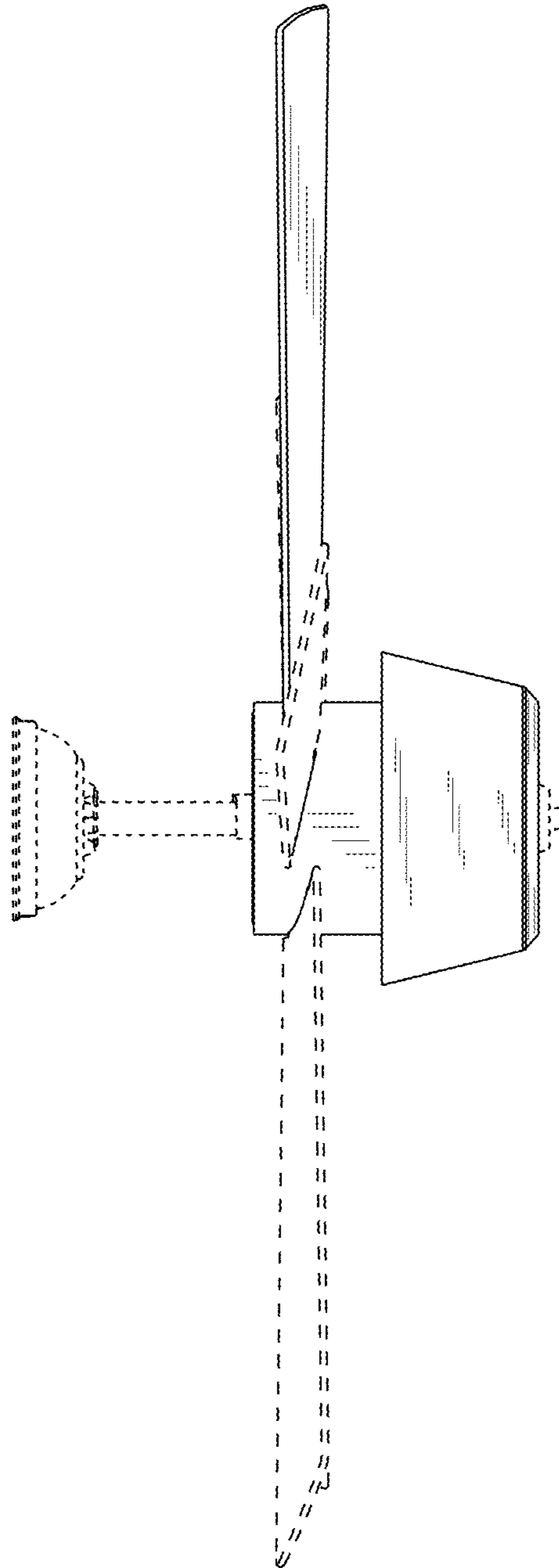


FIG. 6

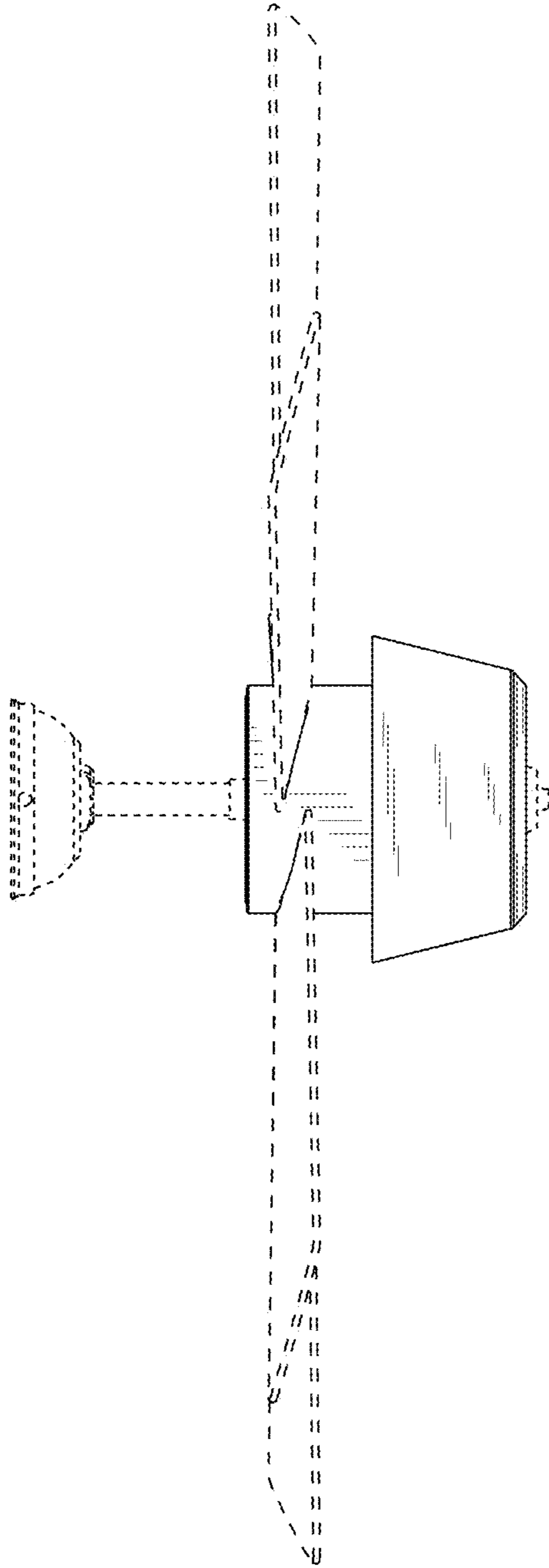


FIG. 7

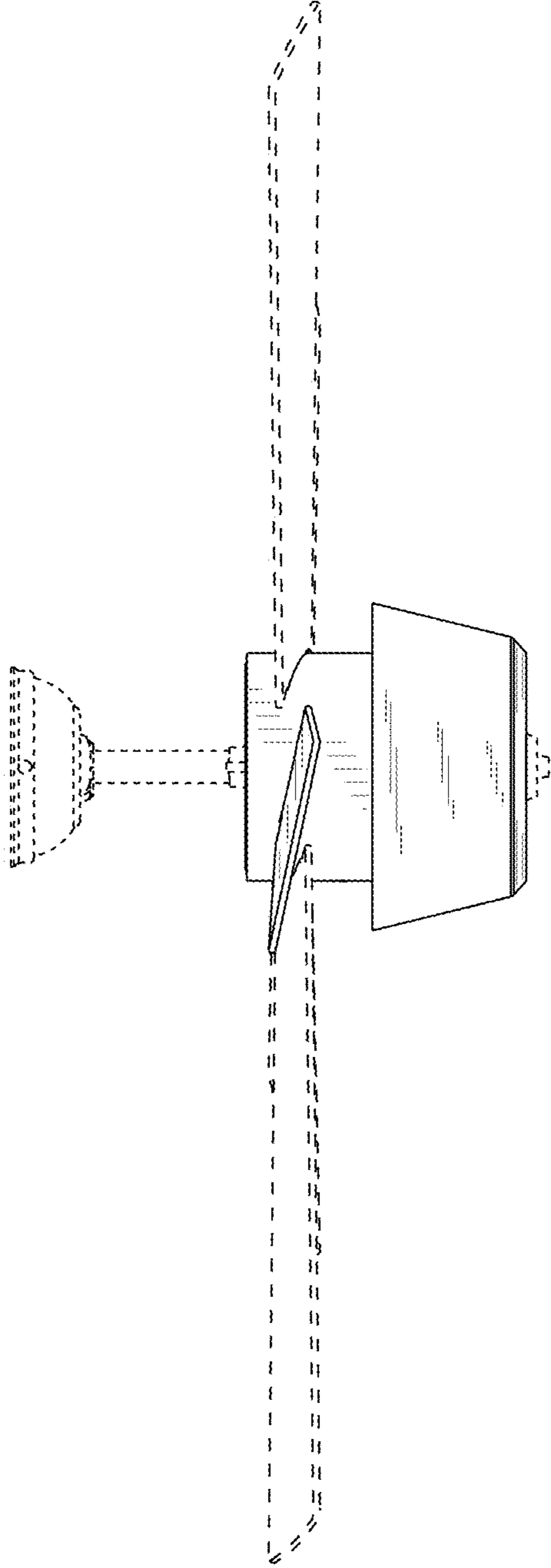


FIG. 8