



US00D882058S

(12) **United States Design Patent**
Rizo et al.

(10) **Patent No.:** **US D882,058 S**

(45) **Date of Patent:** **** Apr. 21, 2020**

(54) **ANGLED GOOSENECK ROOF VENT**

(71) Applicants: **Juan C. Rizo**, Naples, FL (US); **Victor M. Roman**, Napels, FL (US)

(72) Inventors: **Juan C. Rizo**, Naples, FL (US); **Victor M. Roman**, Napels, FL (US)

(**) Term: **15 Years**

(21) Appl. No.: **29/674,775**

(22) Filed: **Dec. 26, 2018**

(51) **LOC (12) Cl.** **23-04**

(52) **U.S. Cl.**
USPC **D23/373**

(58) **Field of Classification Search**
USPC D23/370–376, 378–385, 386, 393, 411
CPC F24F 7/02
See application file for complete search history.

D705,419 S * 5/2014 Leonard D23/373
9,080,779 B1 7/2015 Leonard
D774,636 S * 12/2016 Ramsay D23/373
D788,904 S * 6/2017 Hanig D23/393
2006/0025067 A1* 2/2006 Koessler F24F 7/02
454/359
2012/0214400 A1* 8/2012 Hanig B65D 88/741
454/365
2016/0131392 A1 5/2016 Mantyla et al.

* cited by examiner

Primary Examiner — Cathron C Brooks

Assistant Examiner — Sharon S Oum

(74) *Attorney, Agent, or Firm* — Livingston Loeffler, P.A.;
Edward M. Livingston, Esq.; Bryan L. Loeffler, Esq.

(57) **CLAIM**

The ornamental design for an angled gooseneck roof vent, as shown and described.

(56) **References Cited**

U.S. PATENT DOCUMENTS

D131,009 S * 1/1942 Leslie D23/373
2,447,472 A * 8/1948 Donley F24F 7/02
454/366
D155,345 S * 9/1949 Johnson D23/373
2,741,972 A 4/1956 Pryne
3,000,293 A 9/1961 Grace
3,083,633 A 4/1963 Hochberg
3,579,930 A 5/1971 Murphy
D304,367 S * 10/1989 Saas D23/373
4,890,546 A 1/1990 Venge
5,632,678 A 5/1997 Doelfel
D448,468 S * 9/2001 Koessler D23/373
6,994,622 B2 2/2006 Koessler
D675,719 S * 2/2013 Eicher D23/373
D678,996 S * 3/2013 Jones D23/393

DESCRIPTION

FIG. 1 is a right side perspective view of an angled gooseneck roof vent showing our new design;
FIG. 2 is a left view of the angled gooseneck roof vent thereof;
FIG. 3 is a front view of the angled gooseneck roof vent thereof;
FIG. 4 is a rear view of the angled gooseneck roof vent thereof;
FIG. 5 is a top view of the angled gooseneck roof vent thereof; and,
FIG. 6 is a bottom view of the angled gooseneck roof vent thereof.

1 Claim, 2 Drawing Sheets

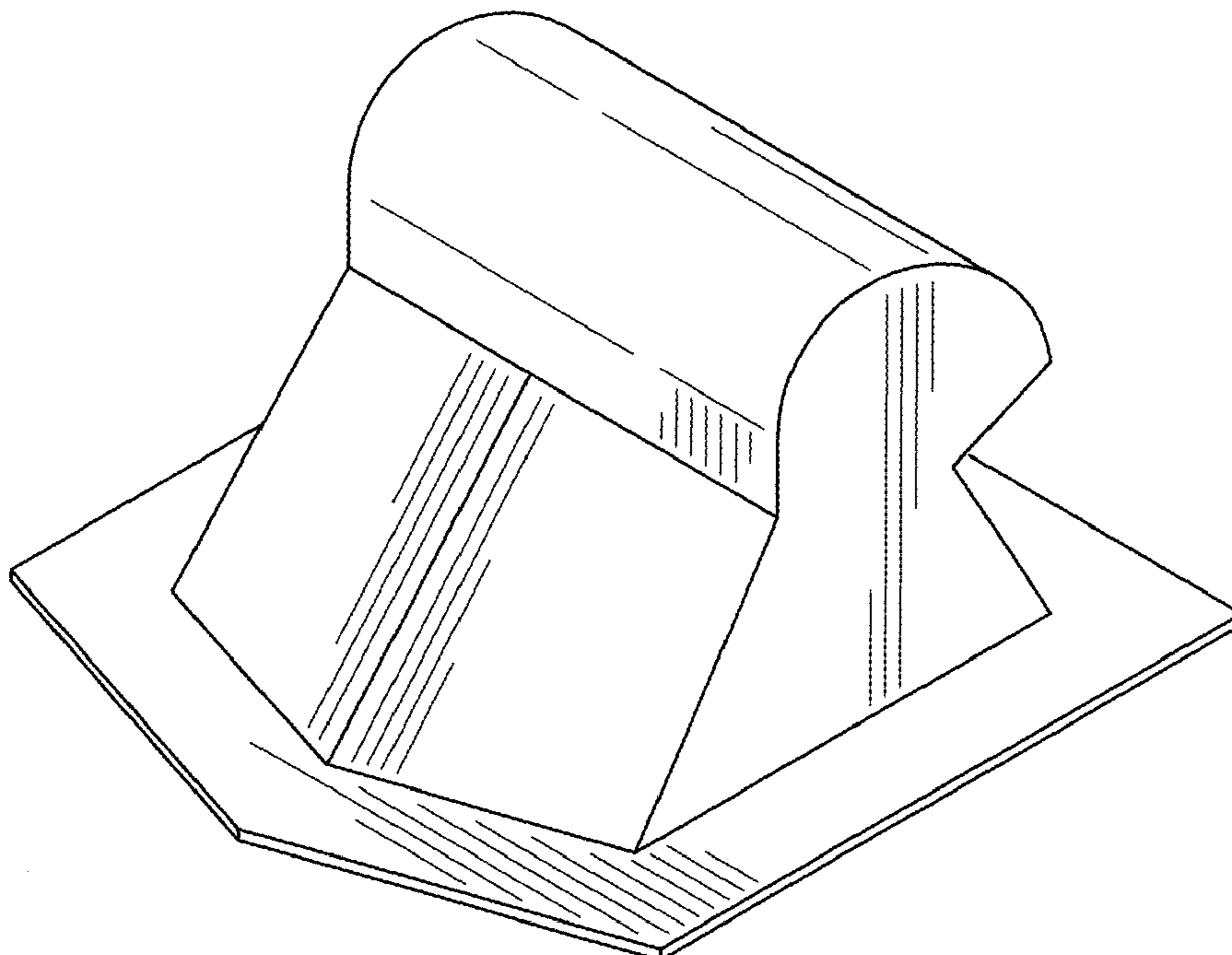


FIG. 1

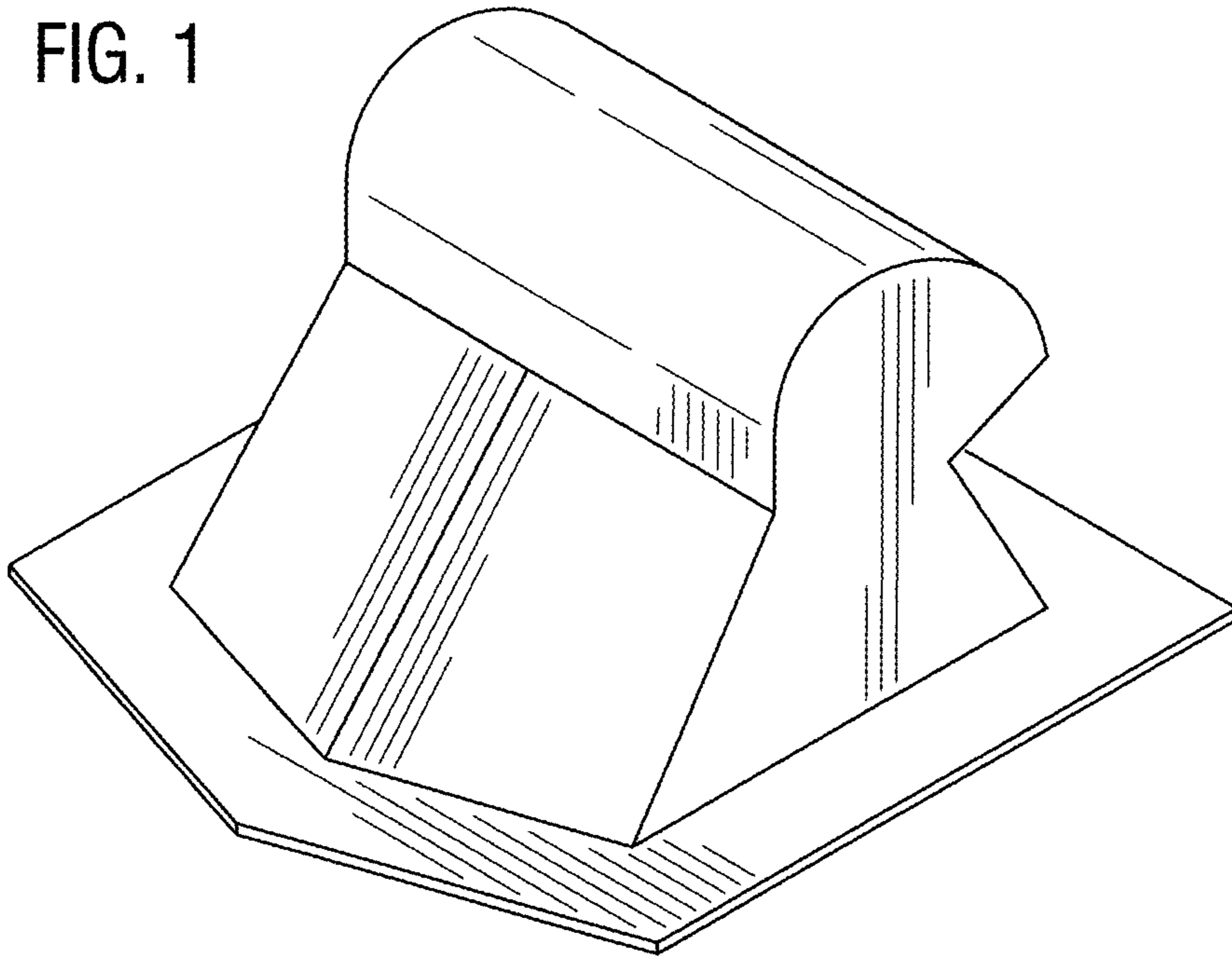


FIG. 2

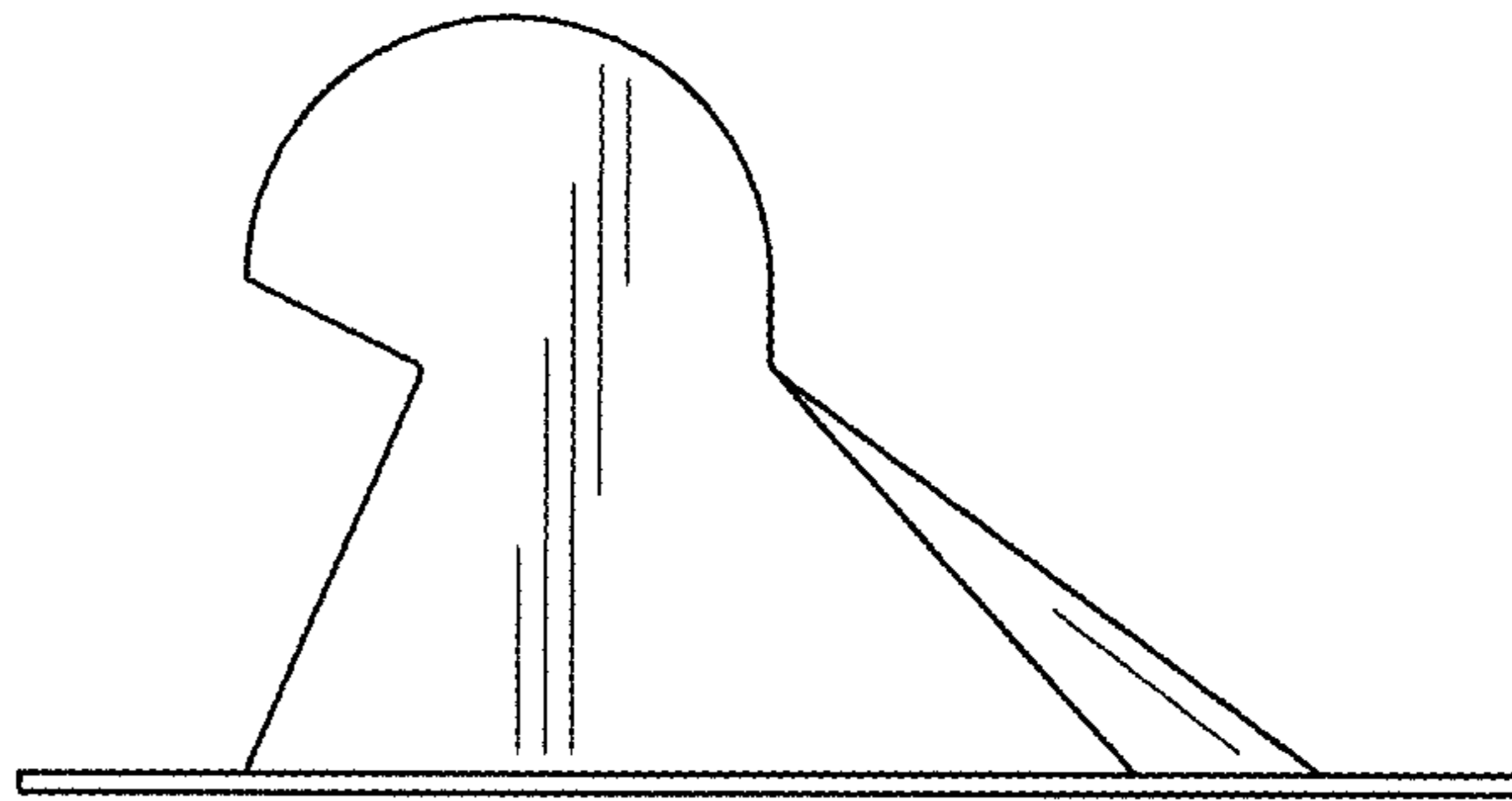


FIG. 3

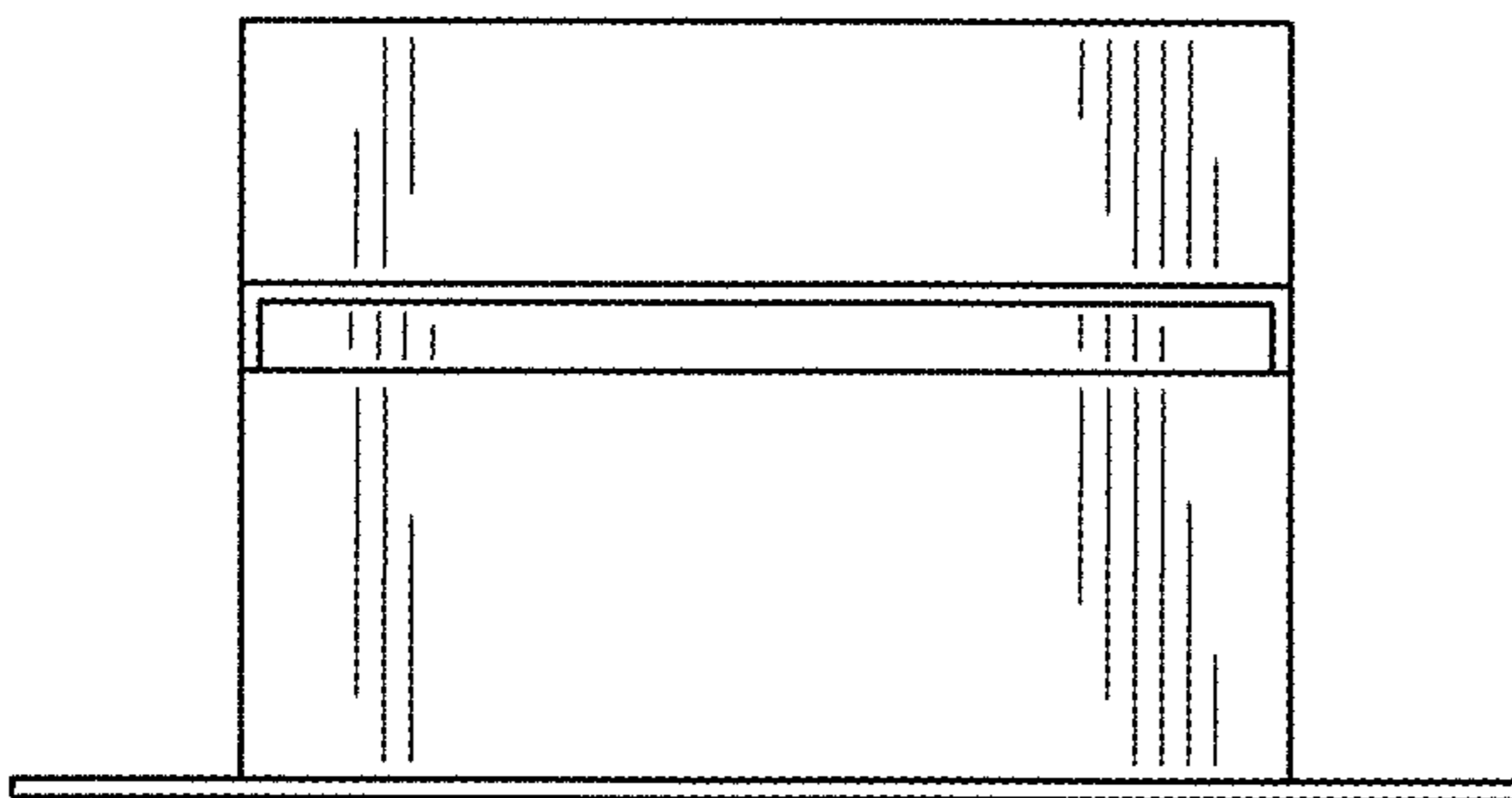


FIG. 4

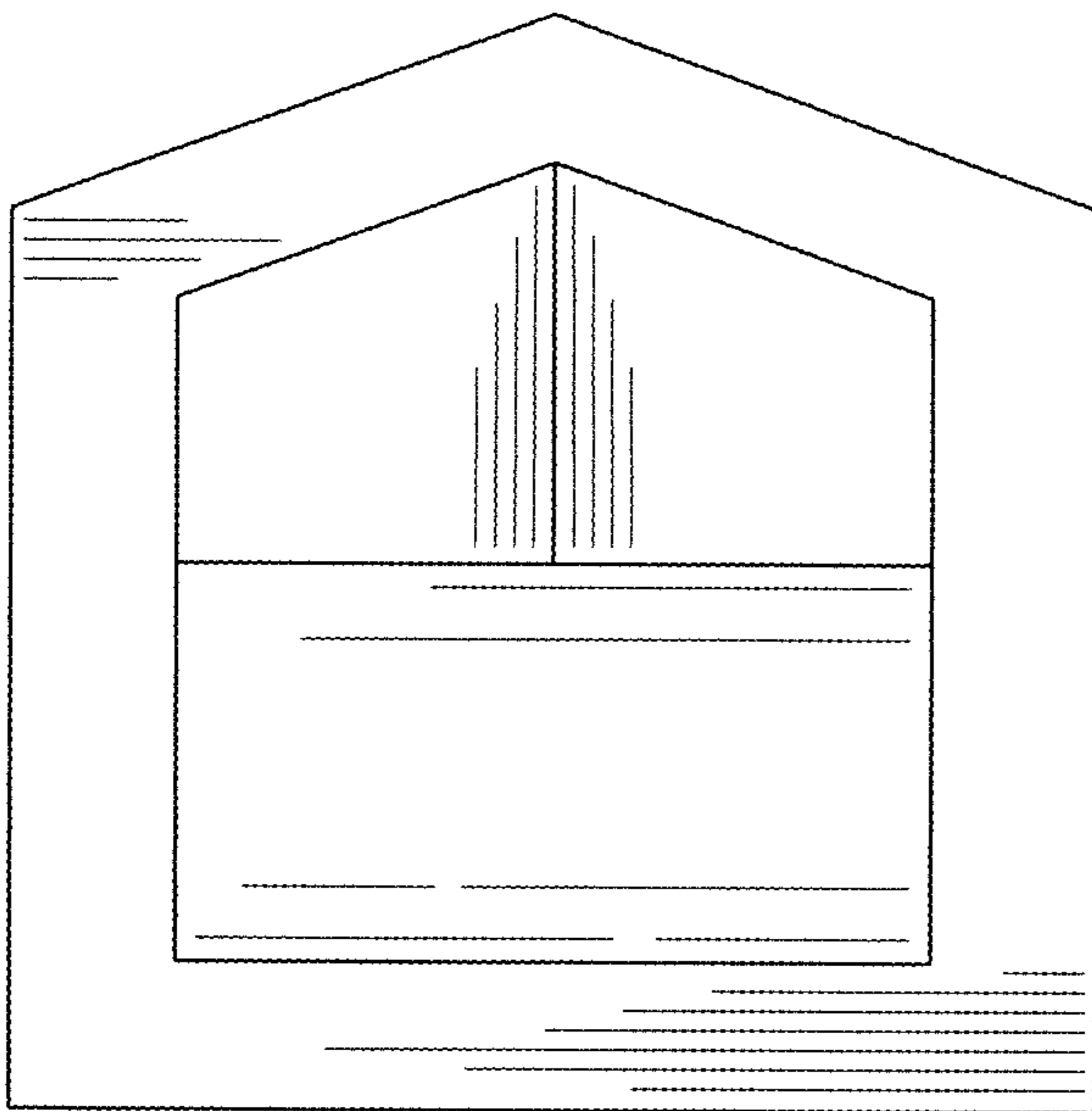
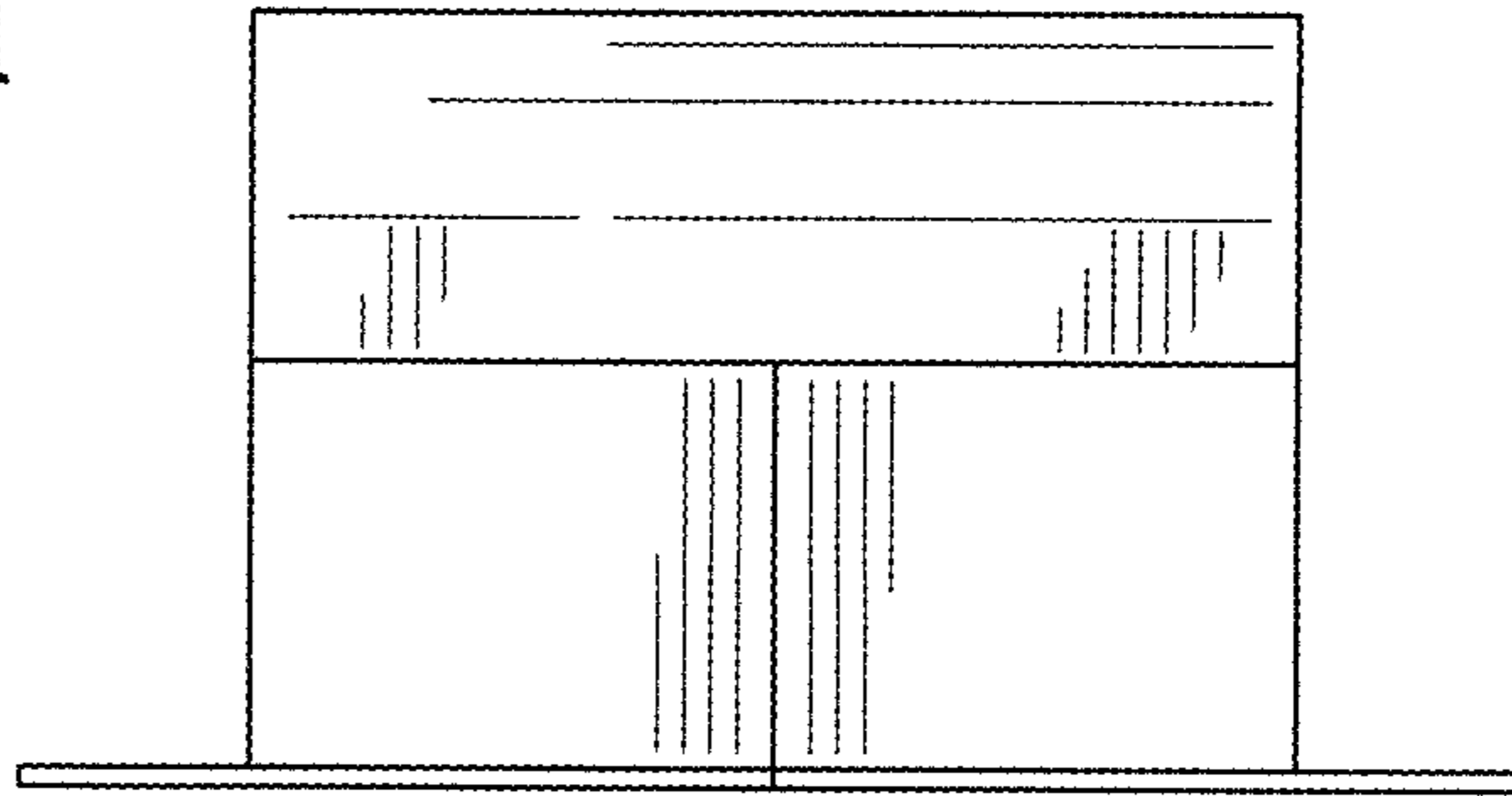


FIG. 5

FIG. 6

