



US00D882057S

(12) **United States Design Patent**
Rizo et al.

(10) **Patent No.:** **US D882,057 S**

(45) **Date of Patent:** **** Apr. 21, 2020**

(54) **ANGLED RECTANGULAR ROOF VENT**

(71) Applicants: **Juan C. Rizo**, Naples, FL (US); **Victor M. Roman**, Napels, FL (US)

(72) Inventors: **Juan C. Rizo**, Naples, FL (US); **Victor M. Roman**, Napels, FL (US)

(**) Term: **15 Years**

(21) Appl. No.: **29/674,773**

(22) Filed: **Dec. 26, 2018**

(51) **LOC (12) Cl.** **23-04**

(52) **U.S. Cl.**
USPC **D23/373**

(58) **Field of Classification Search**
USPC D23/370–376, 378–385, 386, 393, 411
CPC F24F 7/02
See application file for complete search history.

(56) **References Cited**

U.S. PATENT DOCUMENTS

D124,294 S *	12/1940	Leslie	D23/373
D131,009 S *	1/1942	Leslie	D23/373
D132,821 S *	6/1942	Leslie	D23/373
2,300,842 A *	11/1942	Leslie	E04D 13/17 454/366
D134,477 S *	12/1942	Leslie	D23/373
2,741,972 A	4/1956	Pryne		
3,000,293 A	9/1961	Grace		
3,083,633 A	4/1963	Hochberg		
3,579,930 A	5/1971	Murphy		
D227,986 S *	7/1973	Schaffer	D23/351
4,890,546 A	1/1990	Venge		
D332,139 S *	12/1992	Courchesne	D23/385
5,591,080 A *	1/1997	Ward	F24F 7/02 454/359
5,632,678 A	5/1997	Doelfel		
6,994,622 B2	2/2006	Koessler		
D618,780 S *	6/2010	Williams, Sr.	D23/373
D675,719 S *	2/2013	Eicher	D23/373

D678,996 S *	3/2013	Jones	D23/393
D731,047 S *	6/2015	Leonard	D23/373
9,080,779 B1	7/2015	Leonard		
D779,650 S *	2/2017	Poehlman	D23/393
2005/0233691 A1 *	10/2005	Horton	E04D 13/17 454/366
2016/0131392 A1	5/2016	Mantyla et al.		

OTHER PUBLICATIONS

Shingle Flat Off Ridge Vent, date posted unknown, site visited Dec. 30, 2019, Copyright © 2018, <<https://tamcometalroof.com/metal-products/off-ridge-vents/shingle-flat-off-ridge-vent/>>.*

* cited by examiner

Primary Examiner — Cathron C Brooks

Assistant Examiner — Sharon S Oum

(74) *Attorney, Agent, or Firm* — Livingston Loeffler, P.A.; Edward M. Livingston, Esq.; Bryan L. Loeffler, Esq.

(57) **CLAIM**

The ornamental design for an angled rectangular roof vent, as shown and described.

DESCRIPTION

FIG. 1 is a left side perspective view of an angled rectangular roof vent showing our new design; FIG. 2 is a front view of the angled rectangular roof vent thereof; FIG. 3 is a rear view of the angled rectangular roof vent thereof; FIG. 4 is a right side view of the angled rectangular roof vent thereof; FIG. 5 is a top view of the angled rectangular roof vent thereof; and, FIG. 6 is a bottom view of the angled rectangular roof vent thereof.

1 Claim, 2 Drawing Sheets

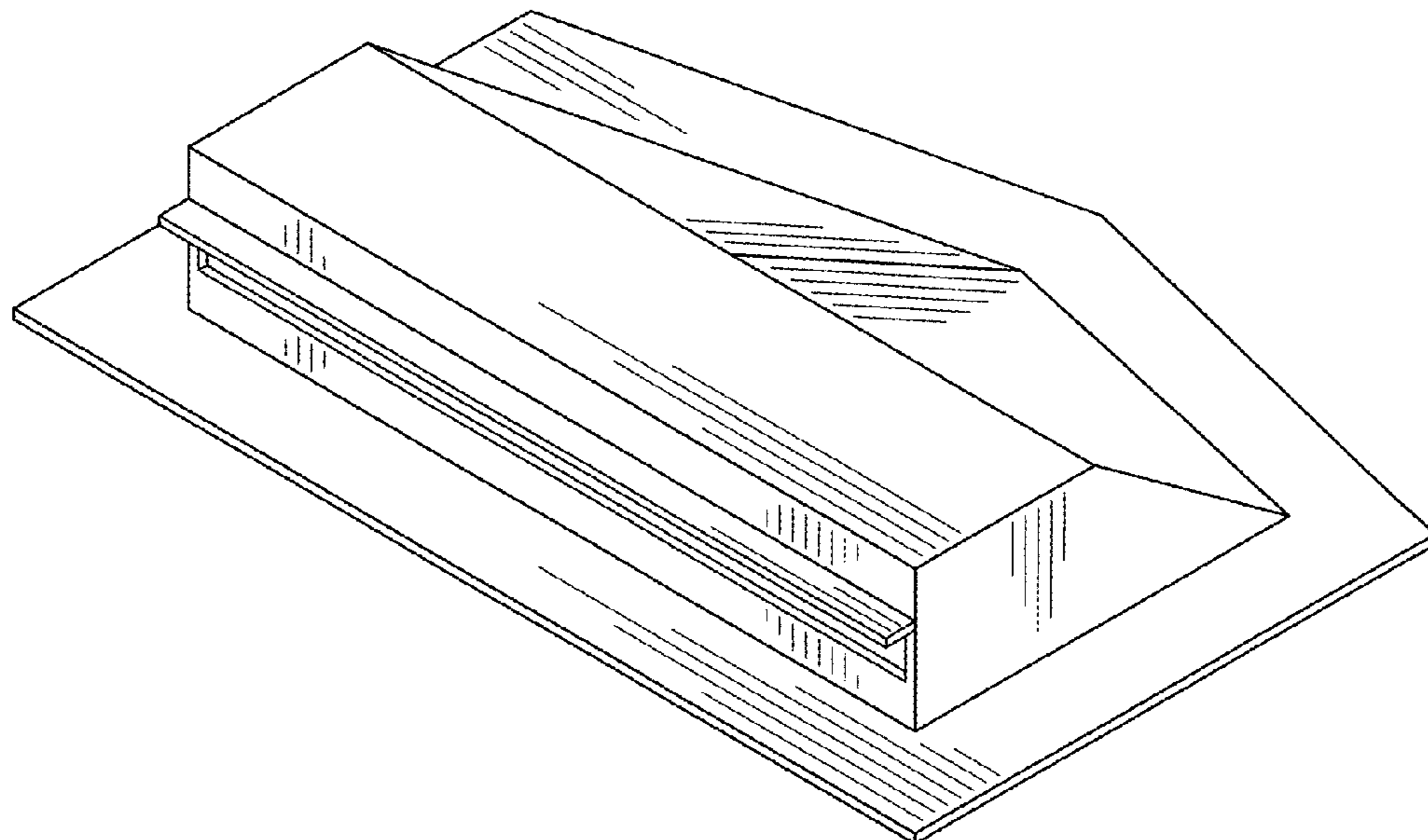


FIG. 1

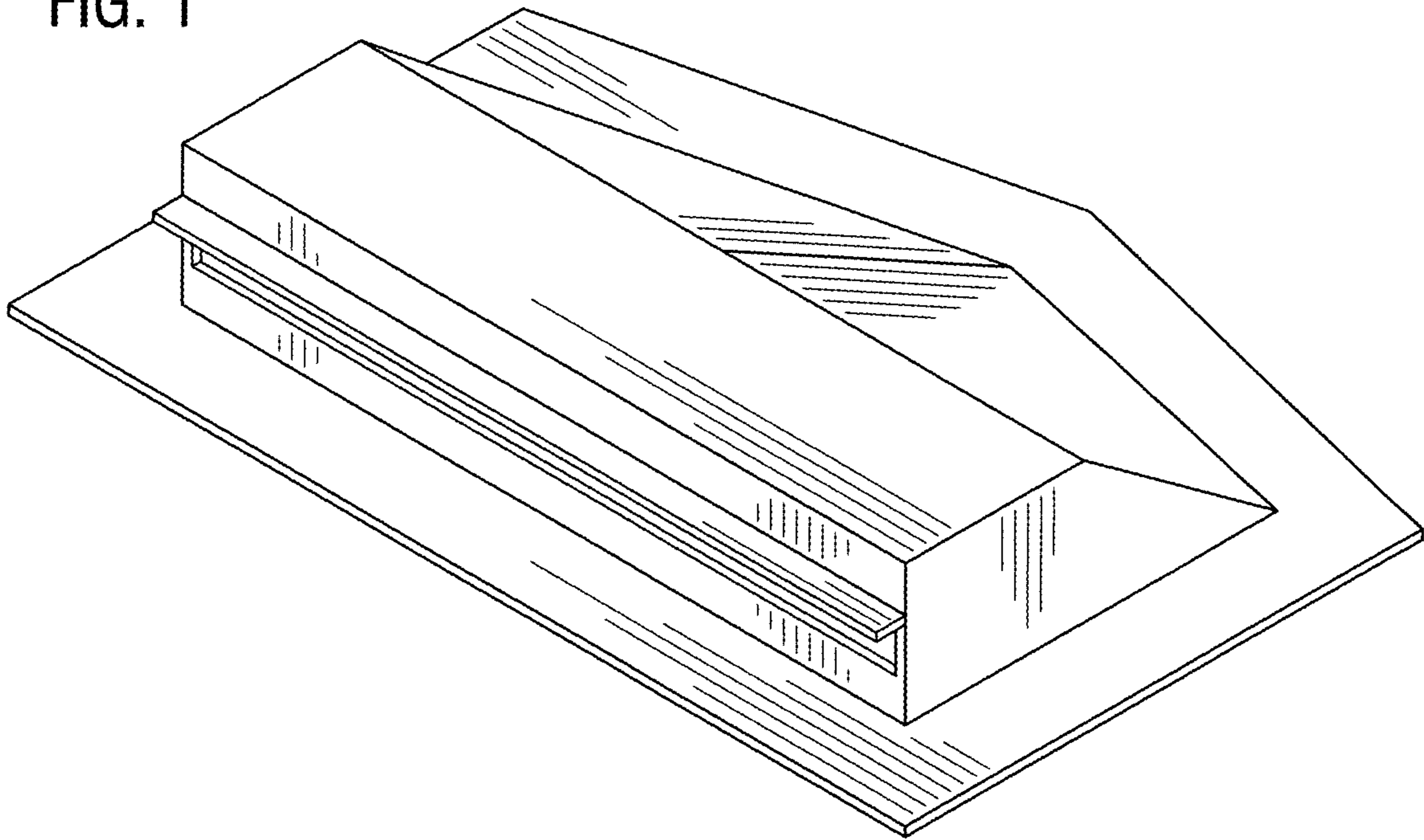


FIG. 2

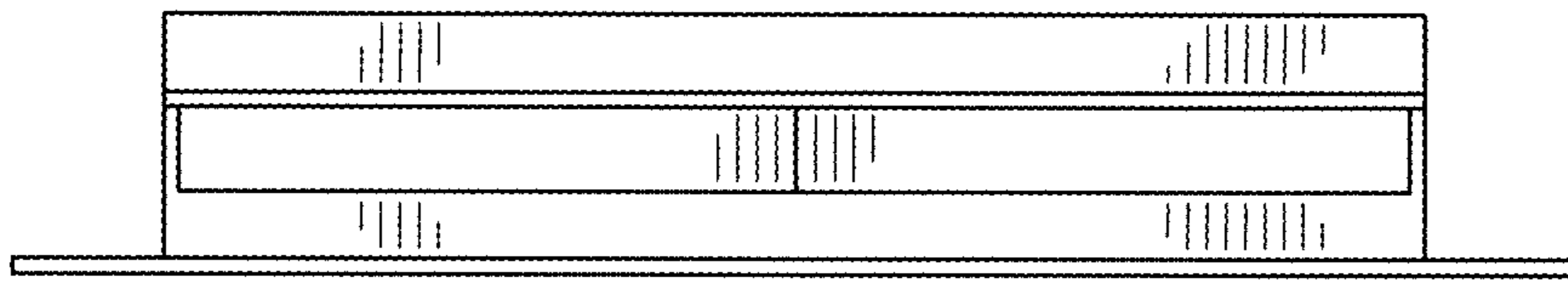


FIG. 3

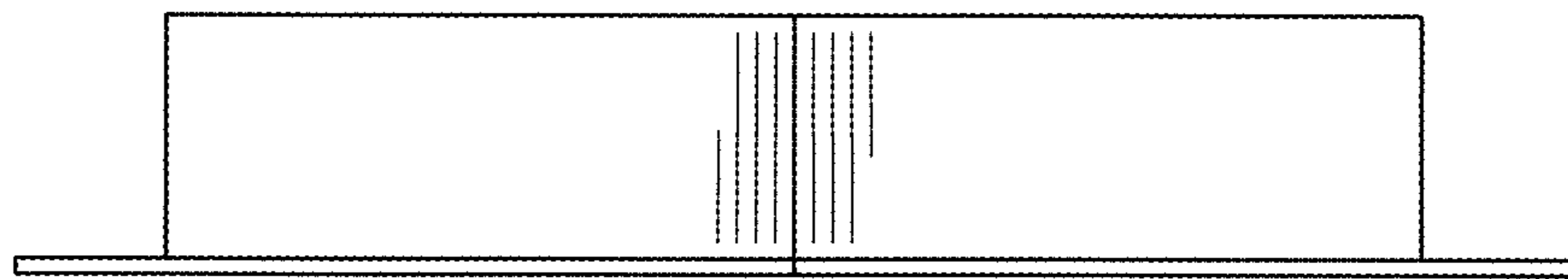


FIG. 4

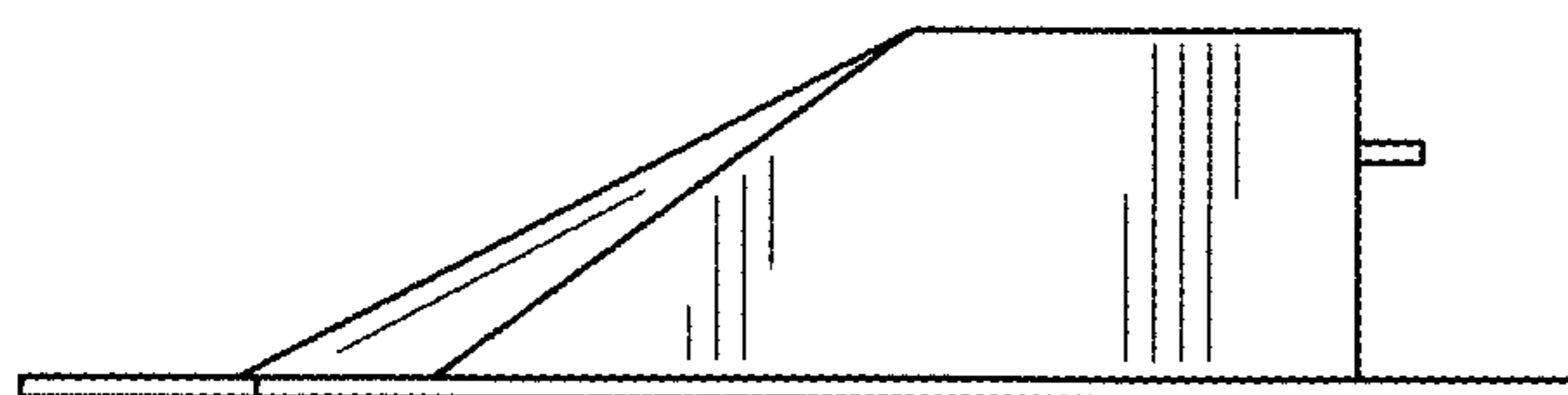


FIG. 5

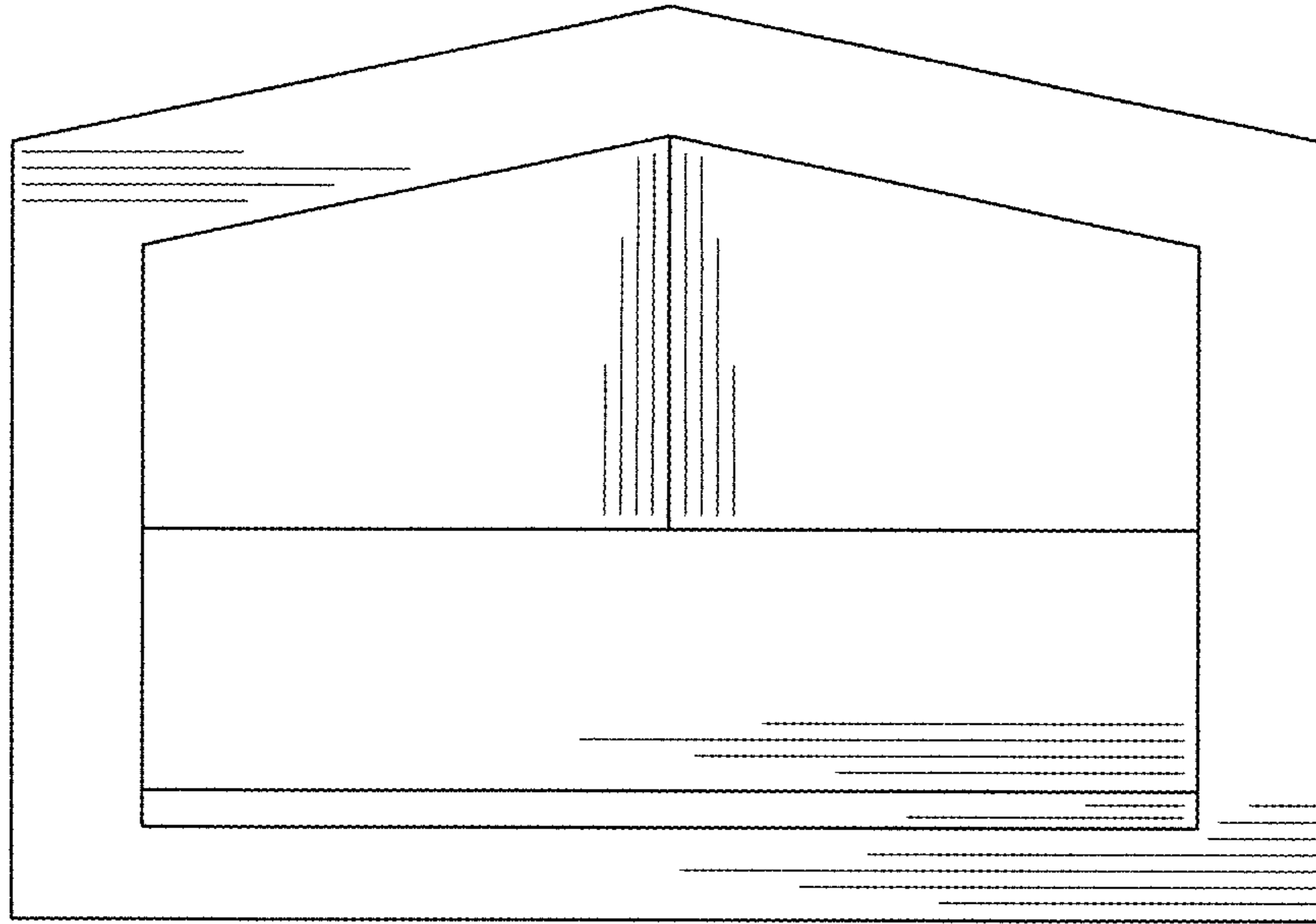


FIG. 6

