



US00D882056S

(12) **United States Design Patent**
Baillie et al.

(10) **Patent No.:** **US D882,056 S**
(45) **Date of Patent:** **** Apr. 21, 2020**

(54) **AIR PURIFIER**

(56)

References Cited

(71) Applicant: **Canadian Tire Corporation, Limited,**
Toronto (CA)

U.S. PATENT DOCUMENTS

(72) Inventors: **Brent Marc Baillie,** Toronto (CA);
Rishi Ramdass, Toronto (CA); **Wong**
Yue Fung, Tsuen Wan (HK)

8,758,680 B2 *	6/2014	Hishida	A61L 9/122 422/5
D818,098 S *	5/2018	Cho	D23/364
D818,099 S *	5/2018	Cho	D23/364
D829,313 S *	9/2018	Cho	D23/364
D836,760 S *	12/2018	Fredang	D23/364
D844,767 S *	4/2019	Chen	D23/364
D847,323 S *	4/2019	Gan	D23/356
D849,218 S *	5/2019	Liang	D23/356
D850,596 S *	6/2019	Wu	D23/366
D854,134 S *	7/2019	Jessup	D23/364
D857,871 S *	8/2019	Shah	D23/366
D864,371 S *	10/2019	Chen	D23/366
D865,149 S *	10/2019	Lin	D23/364

(73) Assignee: **Canadian Tire Corporation, Limited,**
Toronto, Ontario (CA)

(**) Term: **15 Years**

(21) Appl. No.: **29/673,893**

(22) Filed: **Dec. 18, 2018**

* cited by examiner

(30) **Foreign Application Priority Data**

Primary Examiner — David G Muller

Jun. 27, 2018 (CA) 182070

(74) *Attorney, Agent, or Firm* — Alston & Bird LLP

(51) **LOC (12) Cl.** **23-04**

(57) **CLAIM**

(52) **U.S. Cl.**

The ornamental design for an air purifier, as shown and described.

USPC **D23/364**

DESCRIPTION

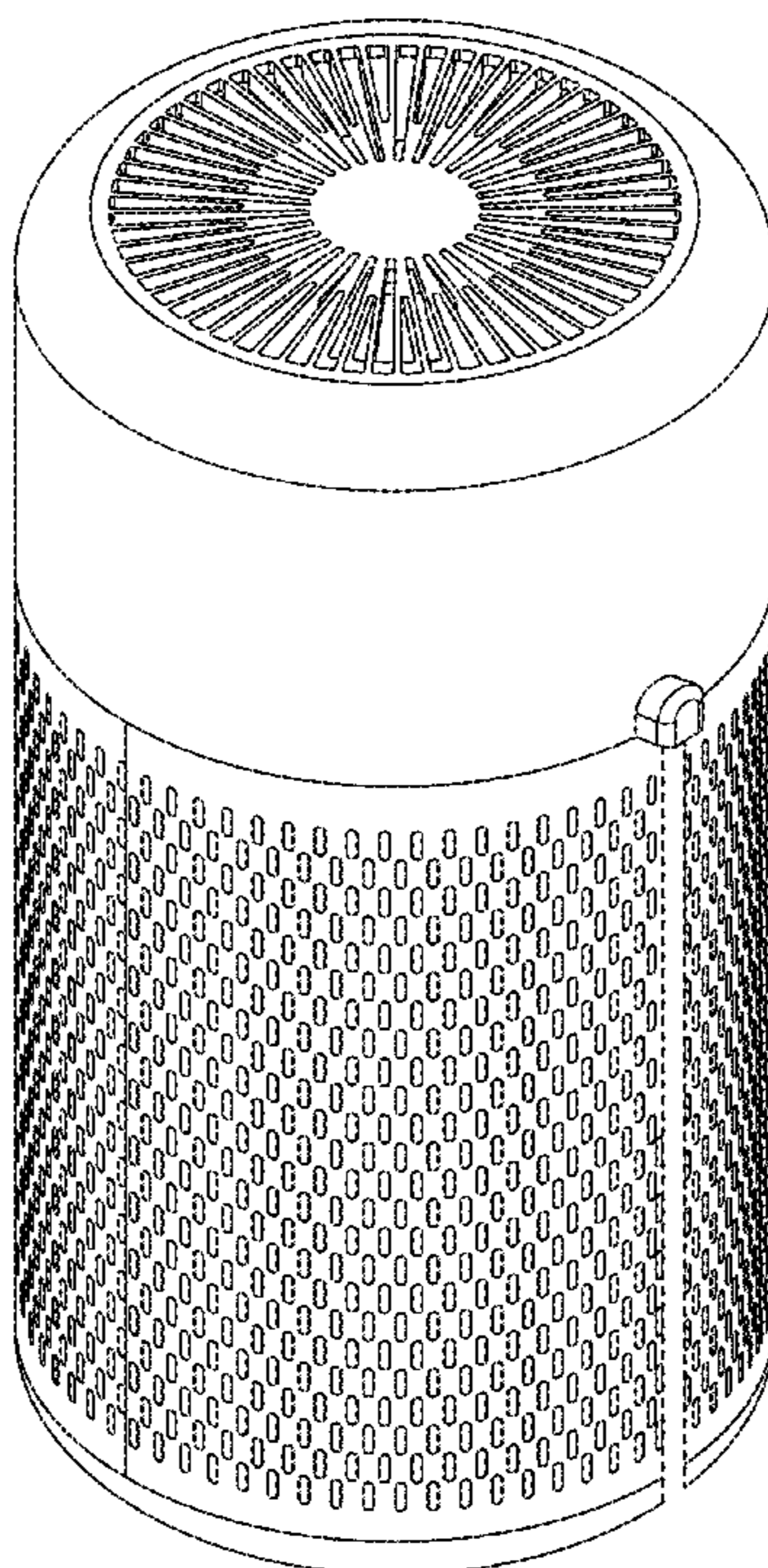
(58) **Field of Classification Search**

USPC D23/355-366, 352, 369, 332, 333, 335,
D23/336, 342, 351; 422/120, 122;
55/356, 473, 504; 96/97; 261/DIG. 17,
261/DIG. 65, DIG. 88, DIG. 31
CPC .. A61L 9/16; A61L 9/22; B01D 47/00; B01D
47/027; B01D 2221/02; B01D 2259/4508;
B03C 3/155; B03C 3/368; F24F 3/16;
F24F 13/20; F24F 13/28

FIG. 1 is a front elevation view of the air purifier according to the present design.
FIG. 2 is a rear elevation view thereof;
FIG. 3 is a left side view thereof;
FIG. 4 is a right side view thereof;
FIG. 5 a top plan view thereof;
FIG. 6 is a bottom plan view thereof;
FIG. 7 is a top front perspective view thereof; and,
FIG. 8 is a top rear perspective view thereof.

See application file for complete search history.

1 Claim, 8 Drawing Sheets



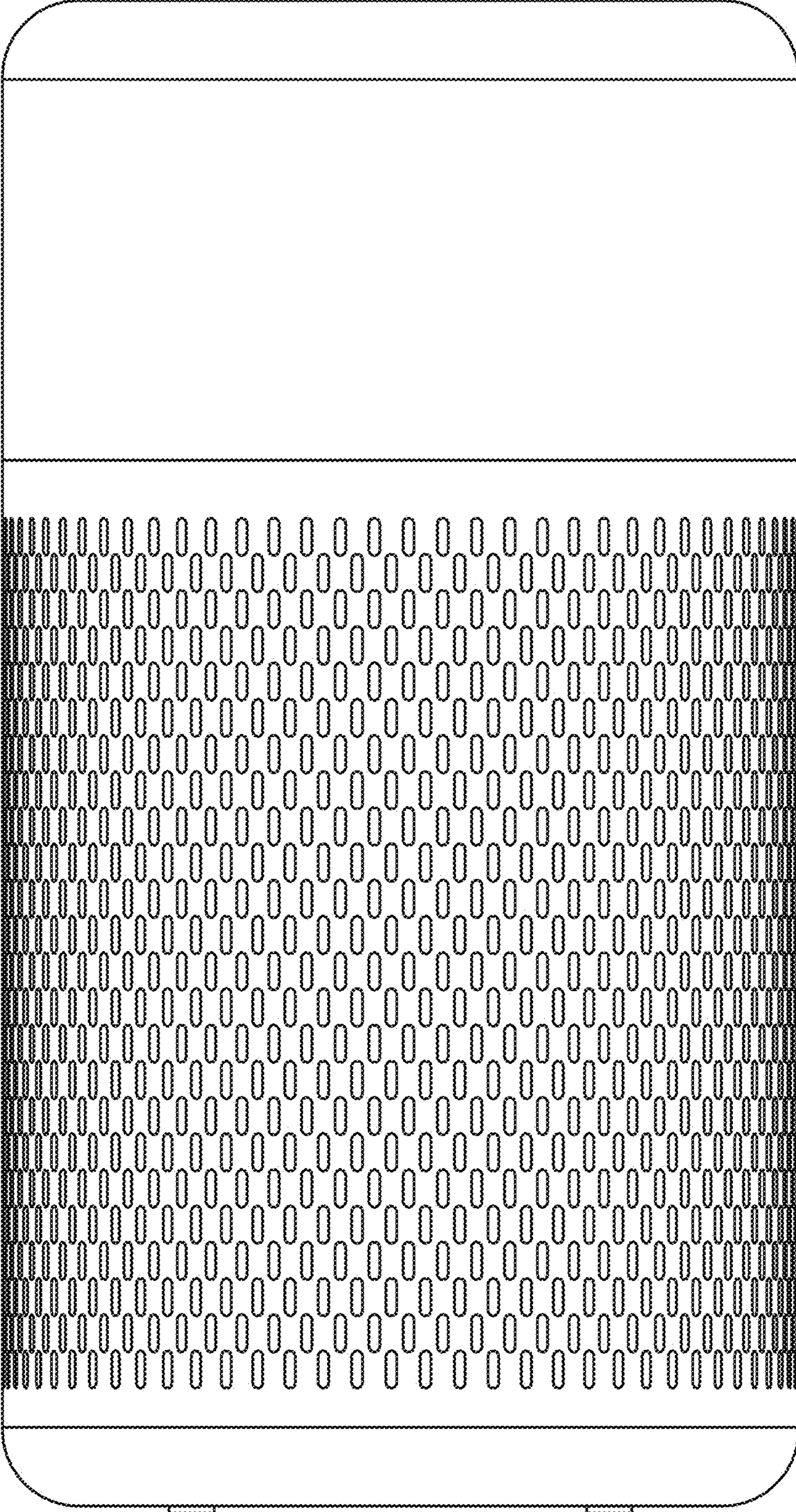


FIG. 1

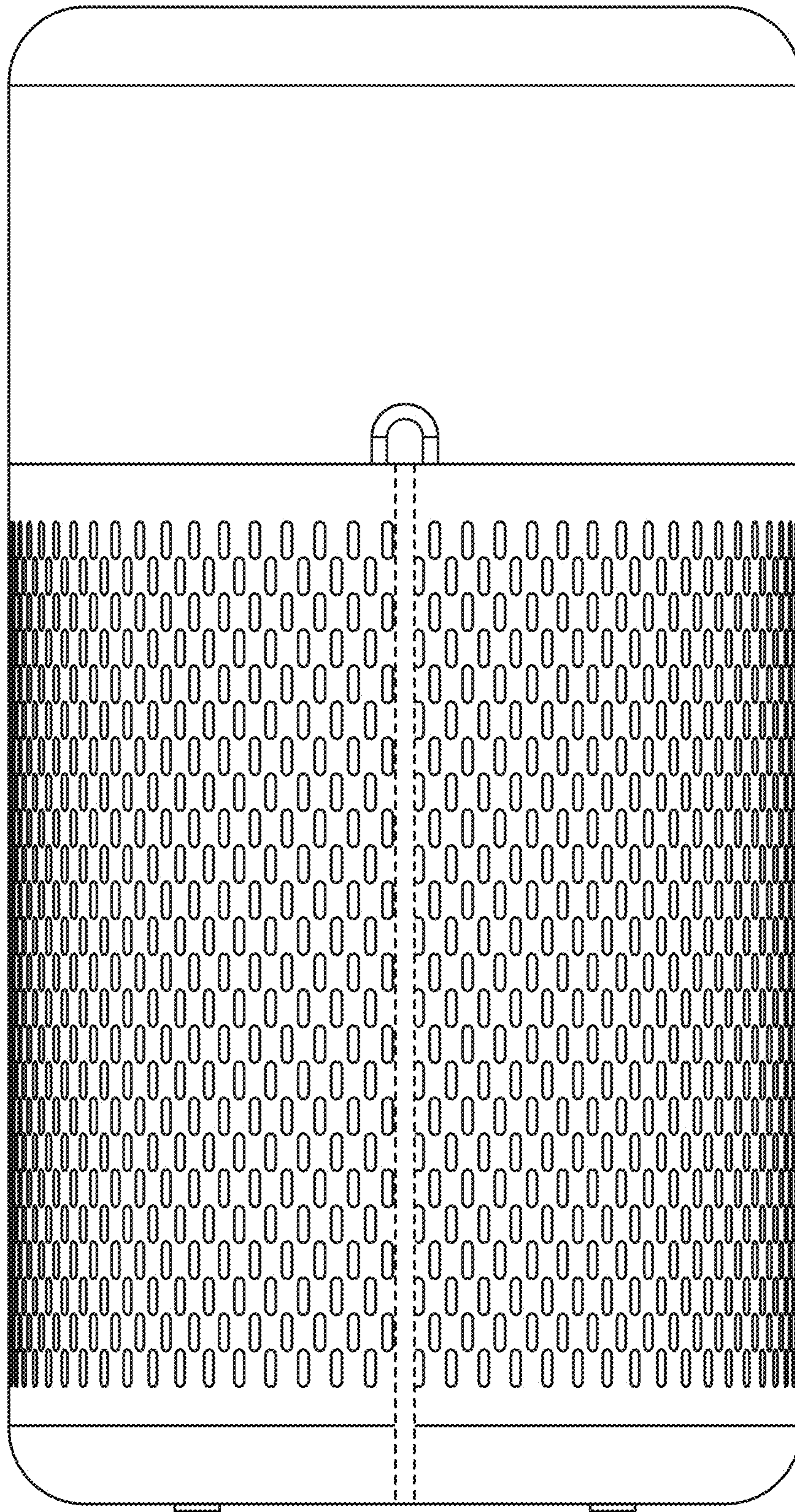


FIG. 2

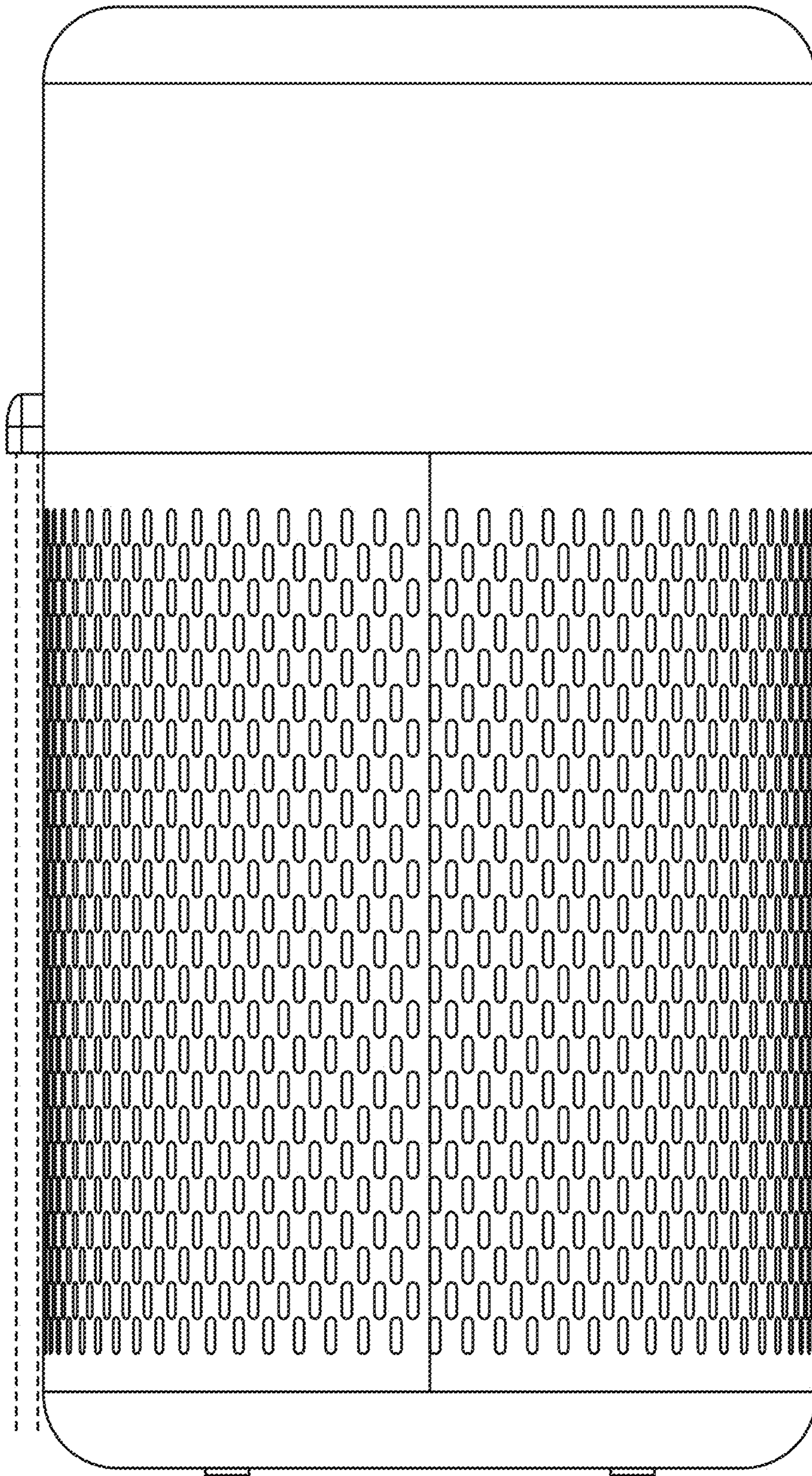


FIG. 3

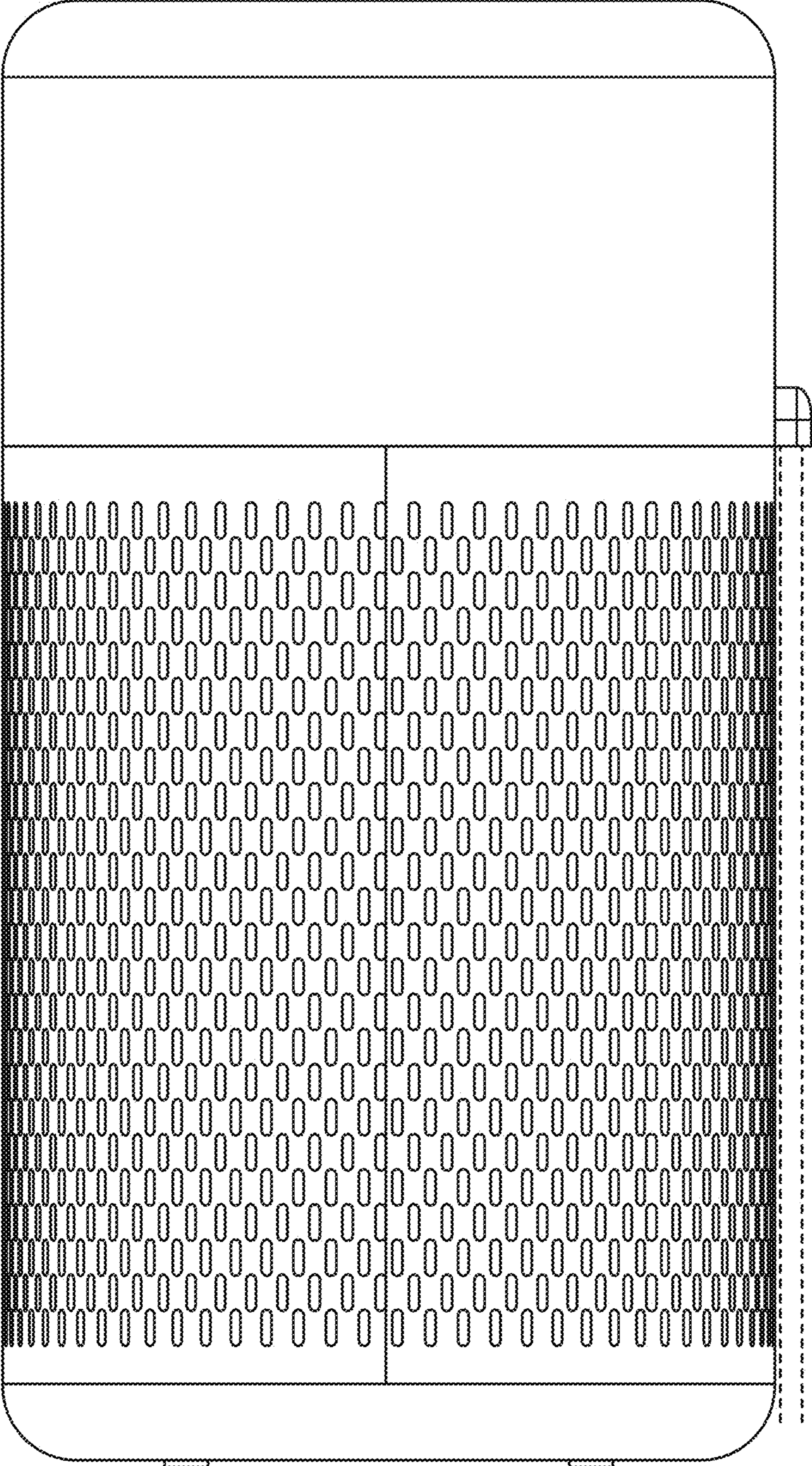


FIG. 4

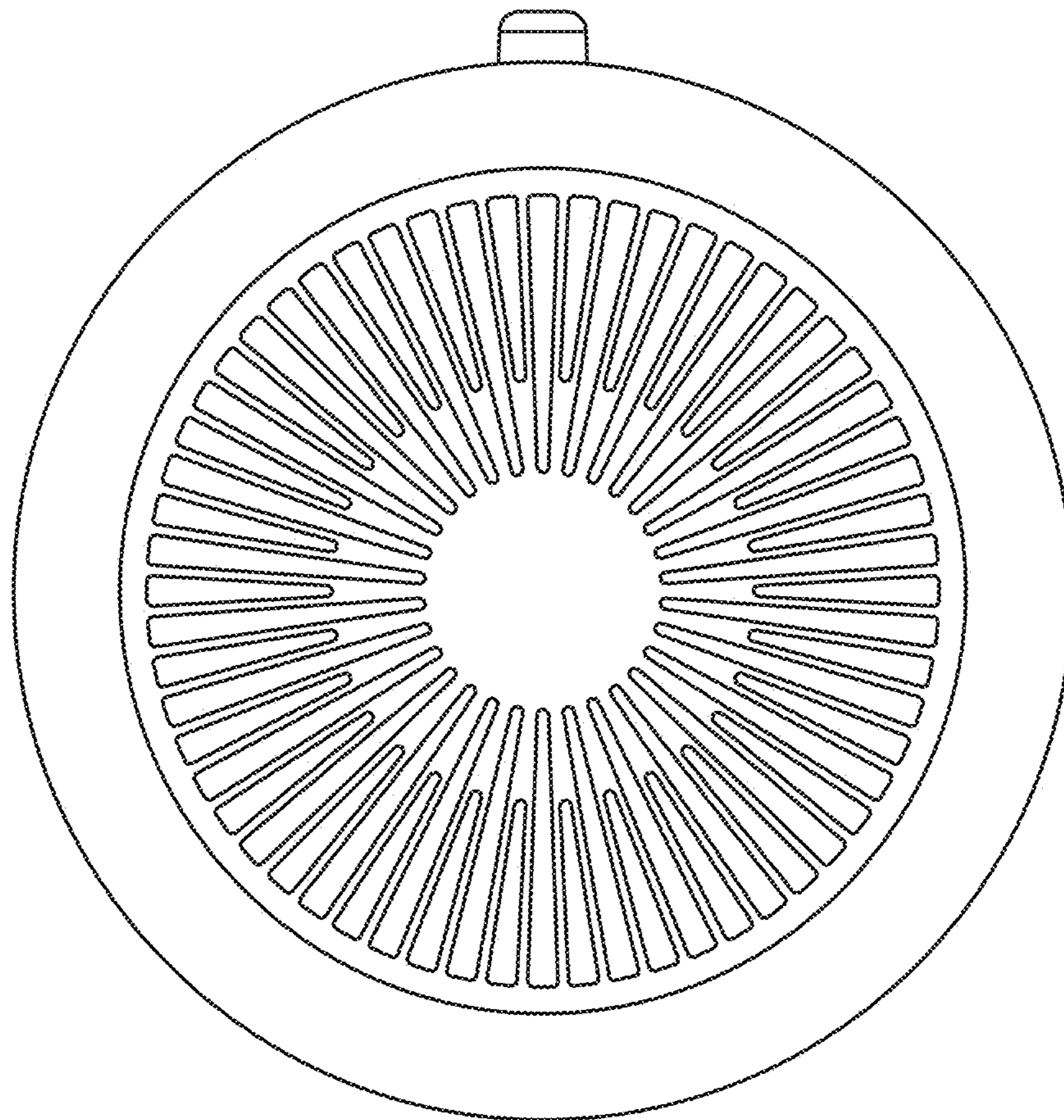


FIG. 5

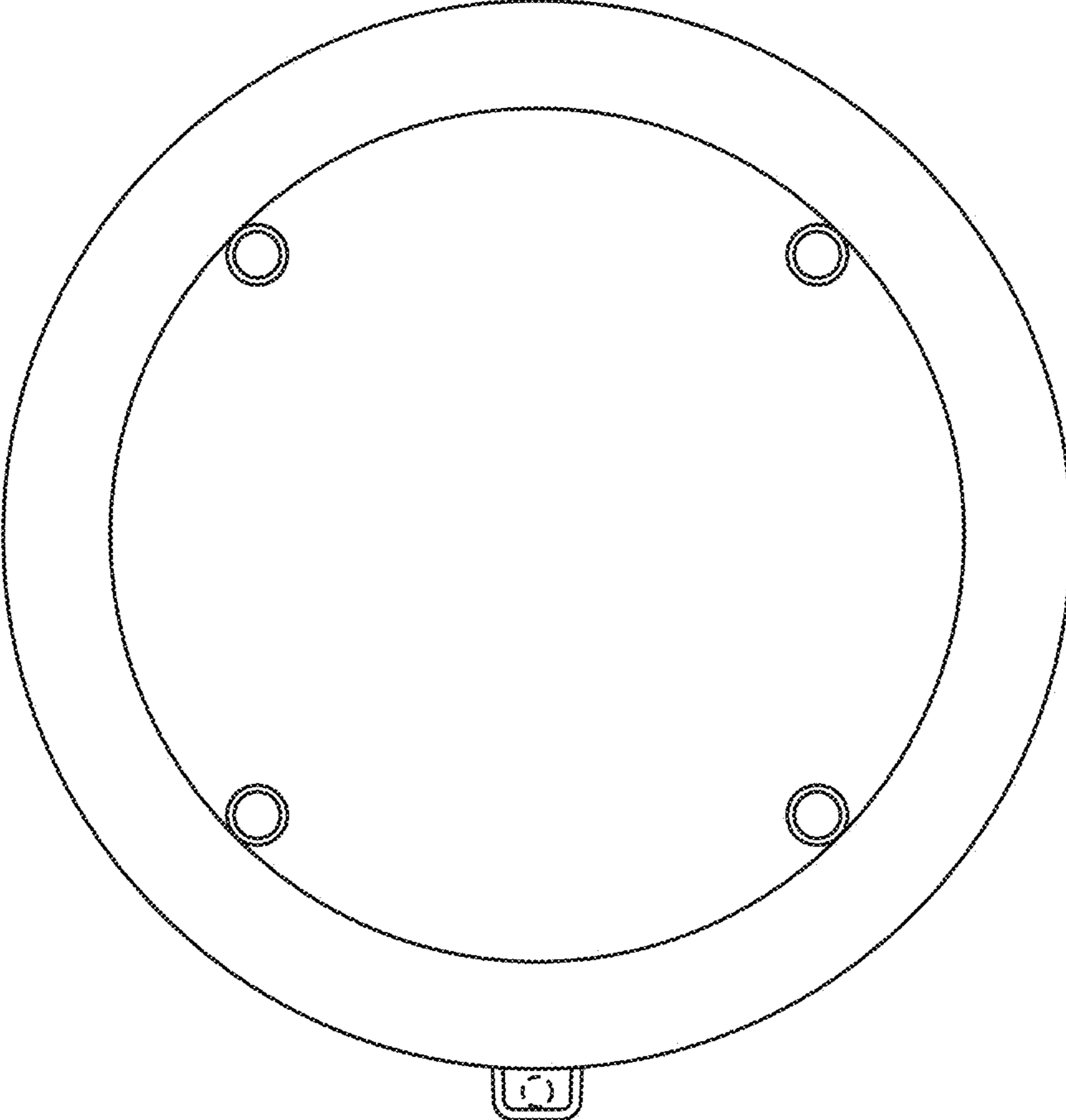


FIG. 6

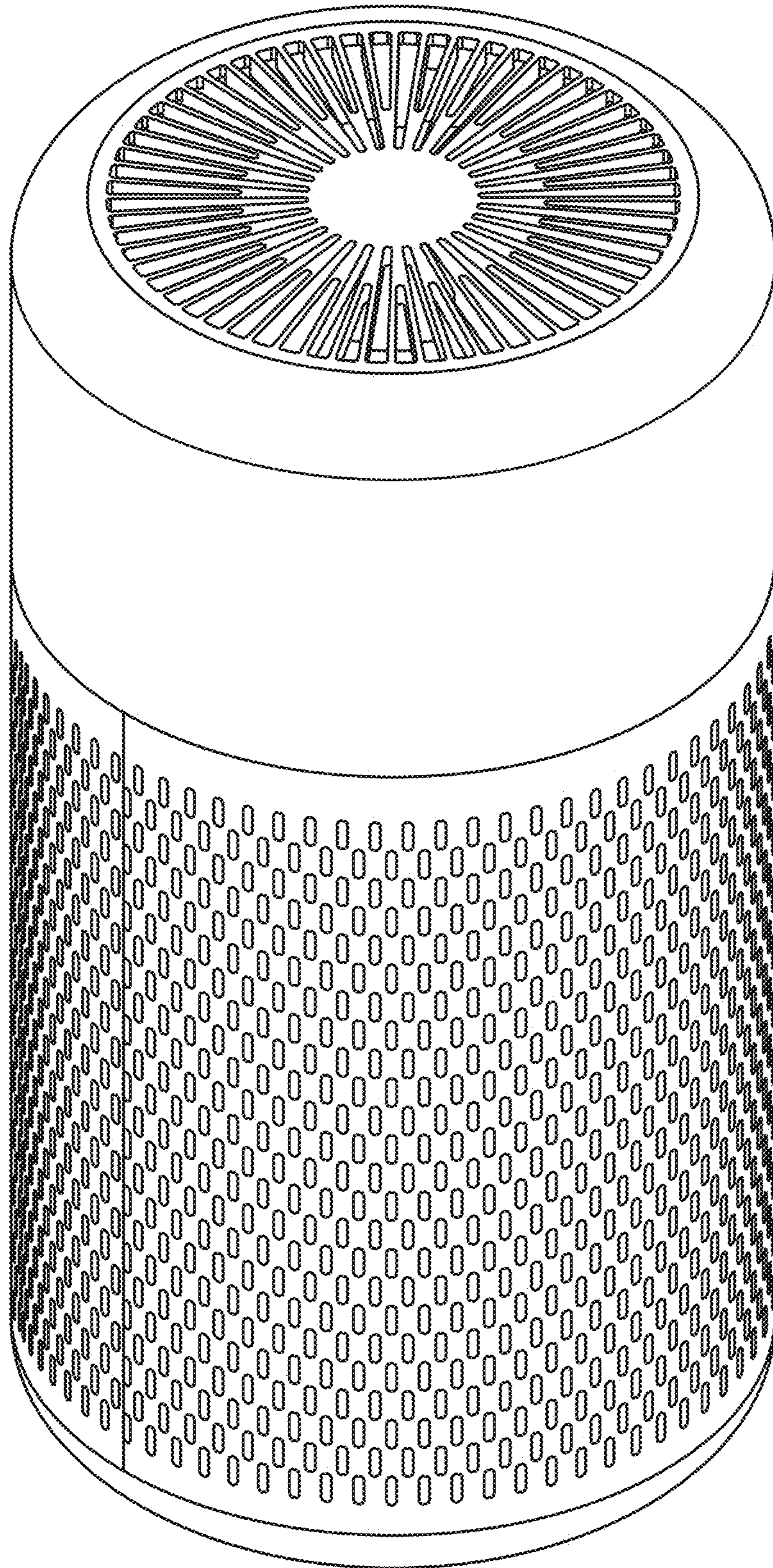


FIG. 7

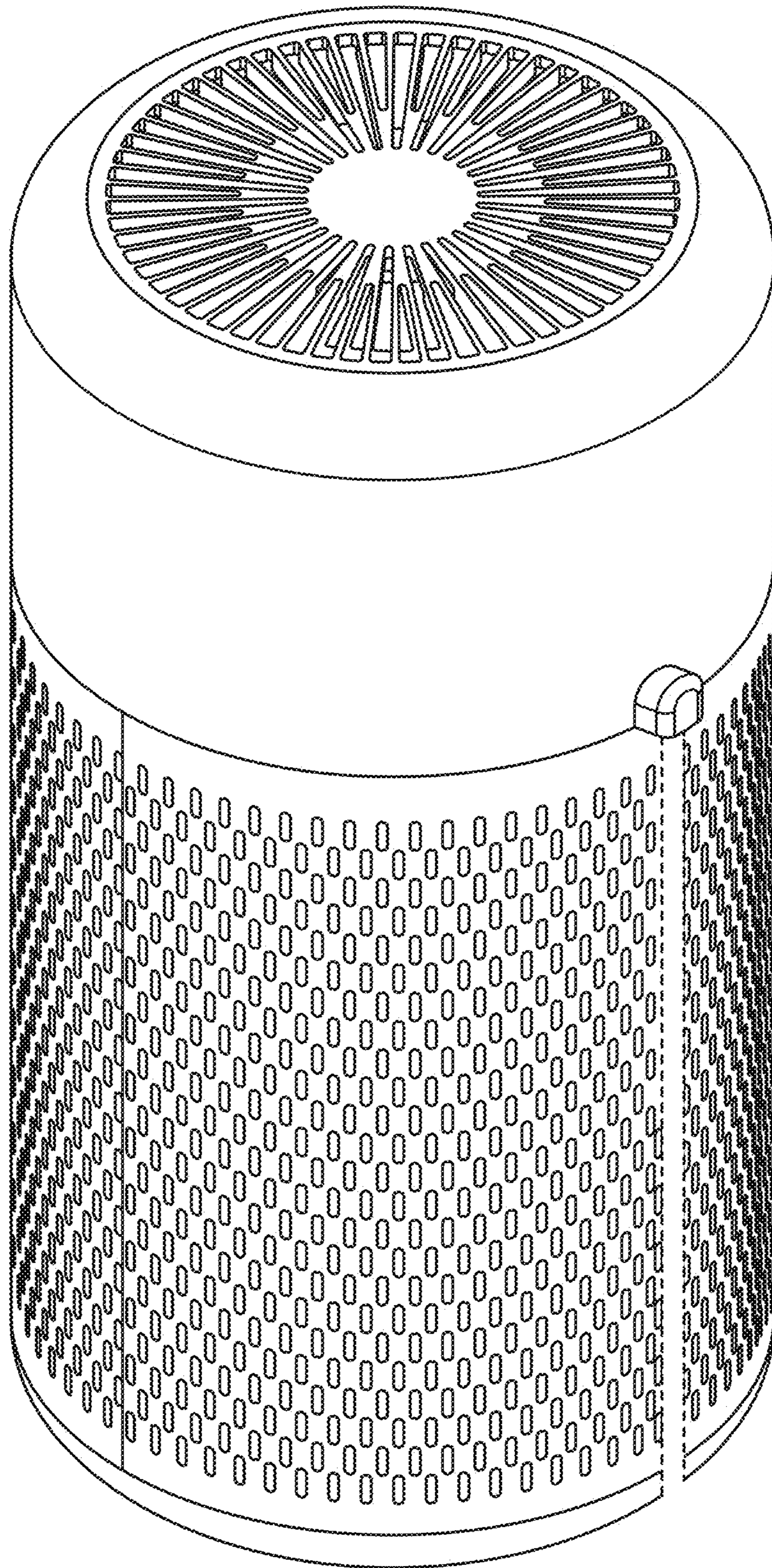


FIG. 8