



US00D882054S

(12) **United States Design Patent**
Shiota

(10) **Patent No.:** **US D882,054 S**

(45) **Date of Patent:** **** Apr. 21, 2020**

(54) **AIR CONDITIONER**

(71) Applicant: **FUJITSU GENERAL LIMITED**,
Kawasaki-shi, Kanagawa (JP)

(72) Inventor: **Yoshihiro Shiota**, Kawasaki (JP)

(73) Assignee: **FUJITSU GENERAL LIMITED**,
Kawasaki-shi, Kanagawa (JP)

(**) Term: **15 Years**

(21) Appl. No.: **29/636,388**

(22) Filed: **Feb. 8, 2018**

(30) **Foreign Application Priority Data**

Aug. 9, 2017 (JP) 2017-017228

(51) **LOC (12) Cl.** **23-04**

(52) **U.S. Cl.**
USPC **D23/351**

(58) **Field of Classification Search**
USPC D23/333, 351-354, 388
CPC F24F 1/00; F24F 1/0007; F24F 1/02; F24F
1/08; F24F 1/42; F24F 1/56; F24F 1/60;
F24F 3/044; F24F 3/048; F24F 3/16;
G05D 23/1905; G05D 23/1932; G05D
23/1902; G05D 23/1931; G05B 19/0426;
G05B 19/409; G05B 15/02

See application file for complete search history.

(56) **References Cited**

U.S. PATENT DOCUMENTS

D579,094 S * 10/2008 Motonishi D23/351
D616,082 S * 5/2010 Tsuji D23/351

D705,409 S * 5/2014 Hagiwara D23/351
D705,917 S * 5/2014 Hagiwara D23/351
D724,715 S * 3/2015 Isshiki D23/351
D759,222 S * 6/2016 Kosuge D23/351
D759,223 S * 6/2016 Kosuge D23/351
D773,023 S * 11/2016 Nishiguchi D23/351
D773,024 S * 11/2016 Nishiguchi D23/351
D773,025 S * 11/2016 Nishiguchi D23/351
D773,026 S * 11/2016 Nishiguchi D23/354
D773,625 S * 12/2016 Nishiguchi D23/351
D827,116 S * 8/2018 Isshiki D23/351

FOREIGN PATENT DOCUMENTS

JP 1536294 S 10/2015

* cited by examiner

Primary Examiner — Natasha Vujcic

(74) *Attorney, Agent, or Firm* — Sughrue Mion, PLLC

(57) **CLAIM**

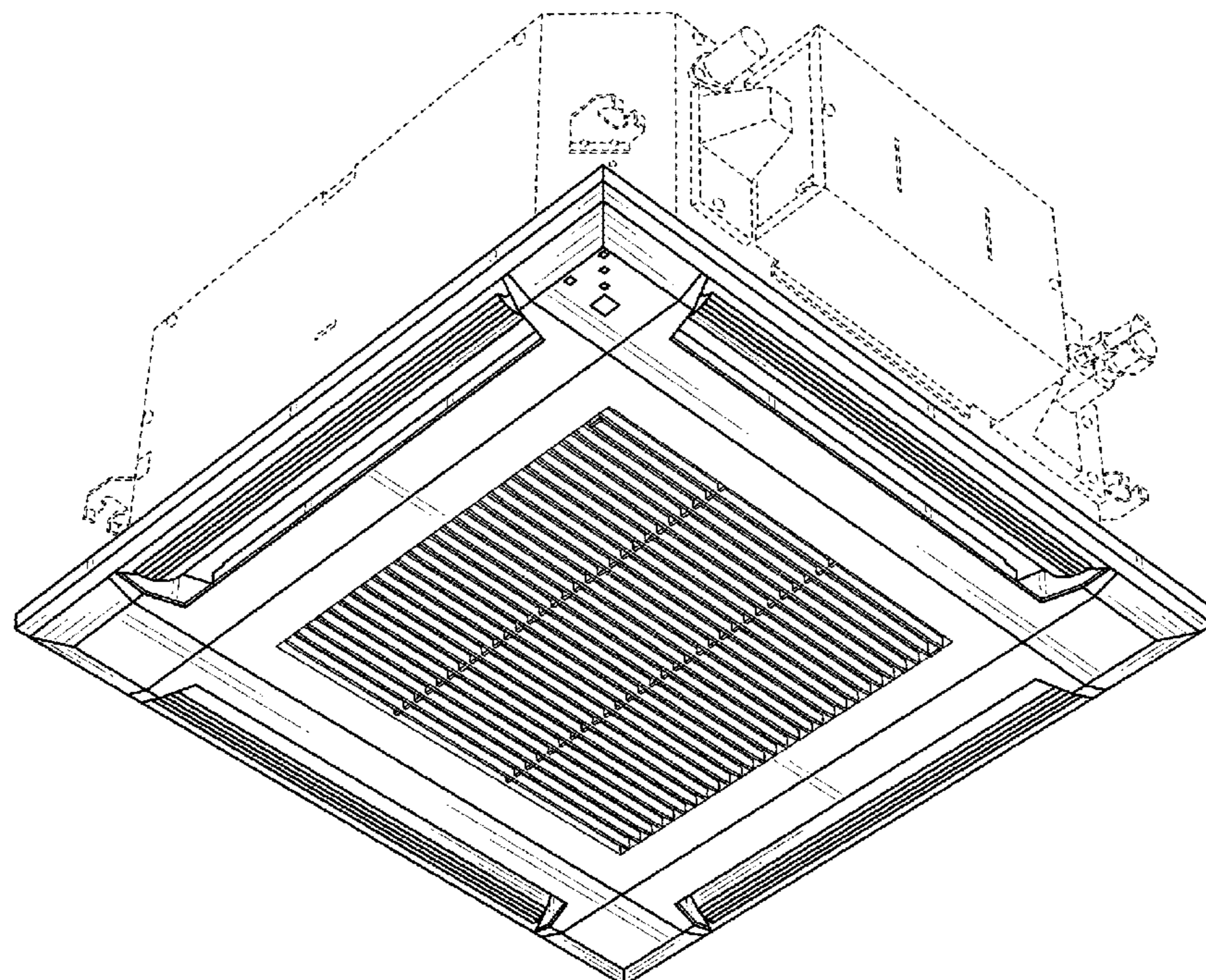
The ornamental design for an air conditioner, as shown and described.

DESCRIPTION

FIG. 1 is a perspective view of an air conditioner showing my new design;
FIG. 2 is a front view thereof;
FIG. 3 is a rear view thereof;
FIG. 4 is a left side view thereof;
FIG. 5 is a right side view thereof;
FIG. 6 is a top view thereof; and,
FIG. 7 is a bottom view thereof.

The broken lines in the drawings illustrate portions of the air conditioner which form no part of the claimed design.

1 Claim, 5 Drawing Sheets



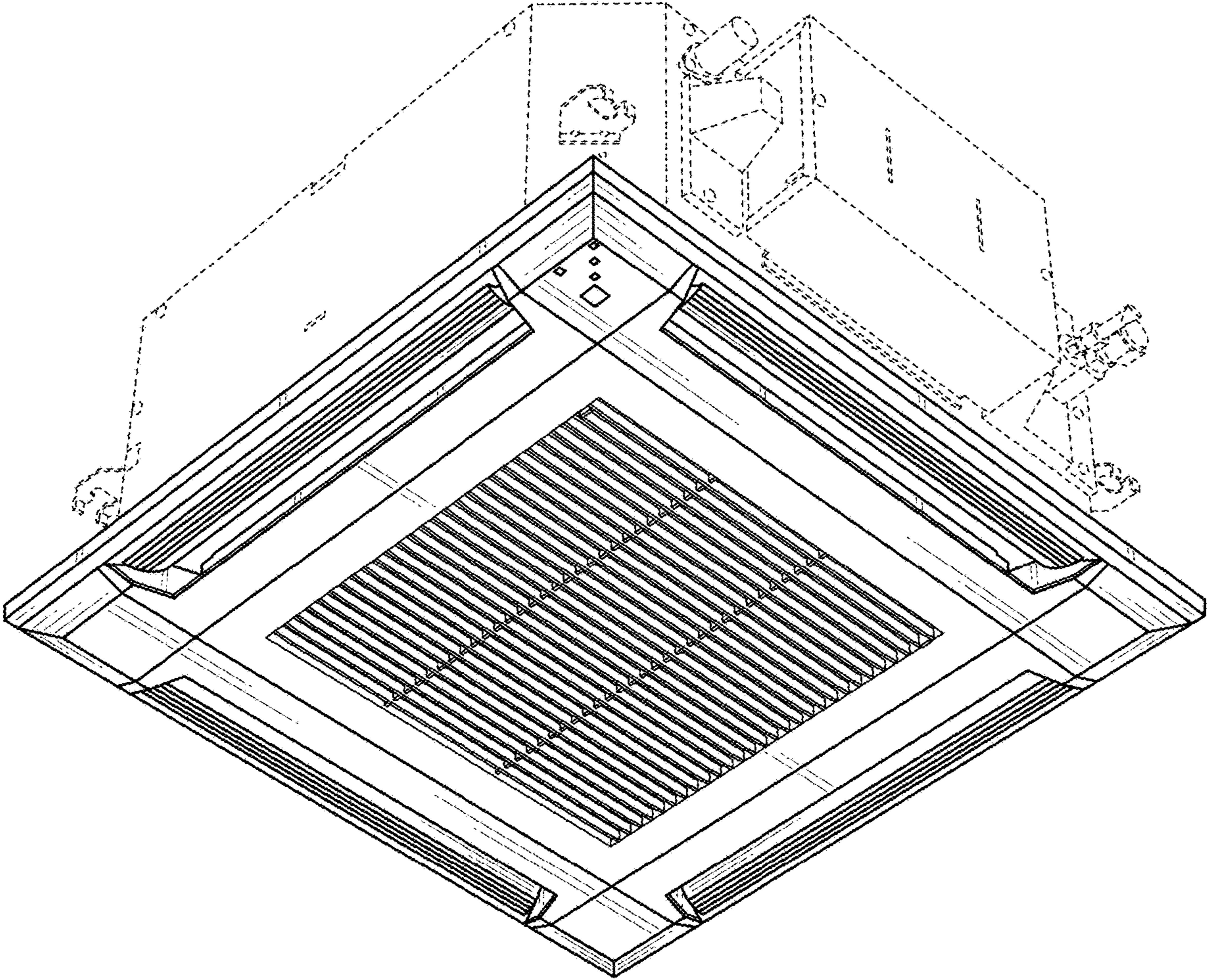


FIG. 1

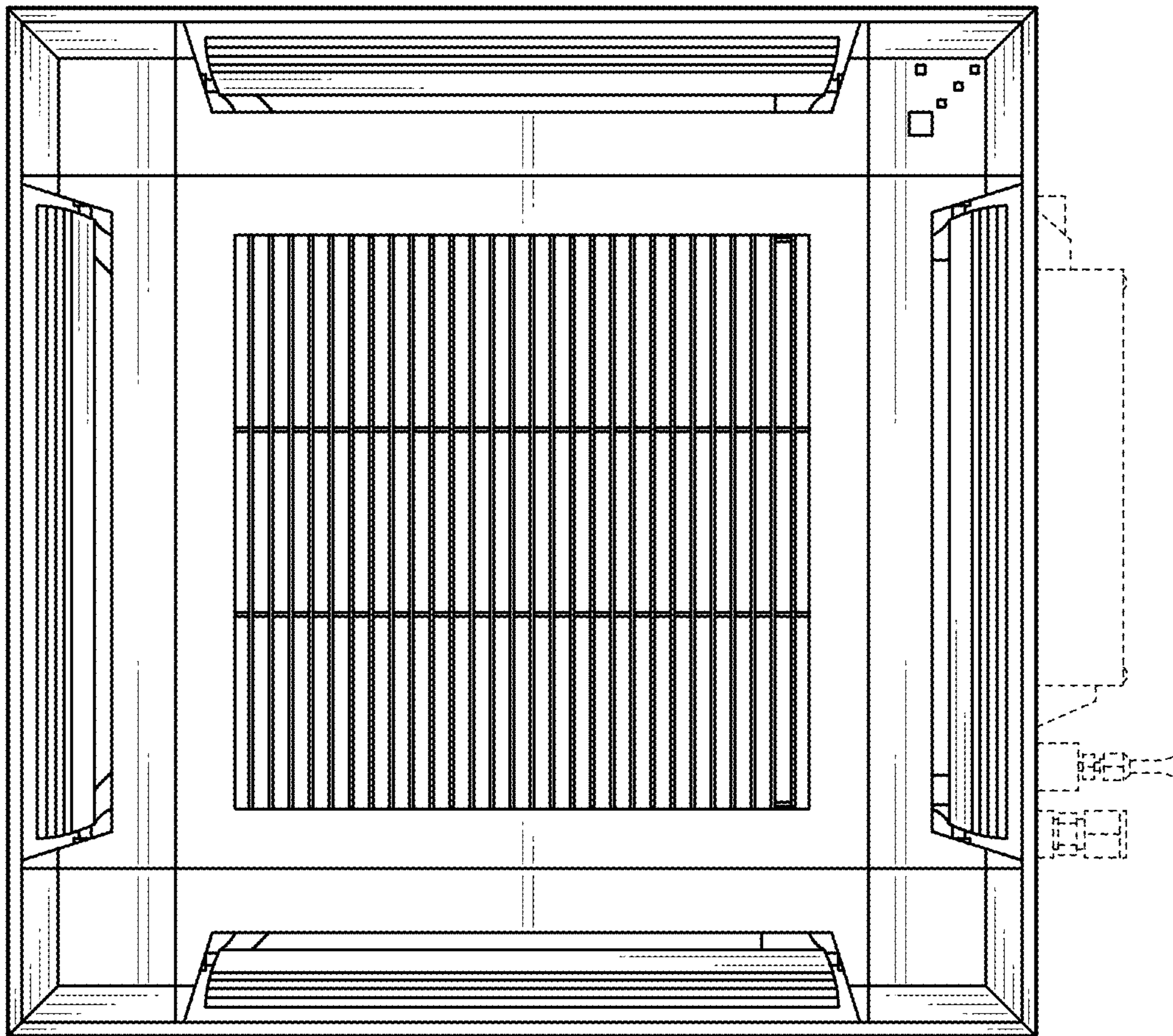


FIG. 2

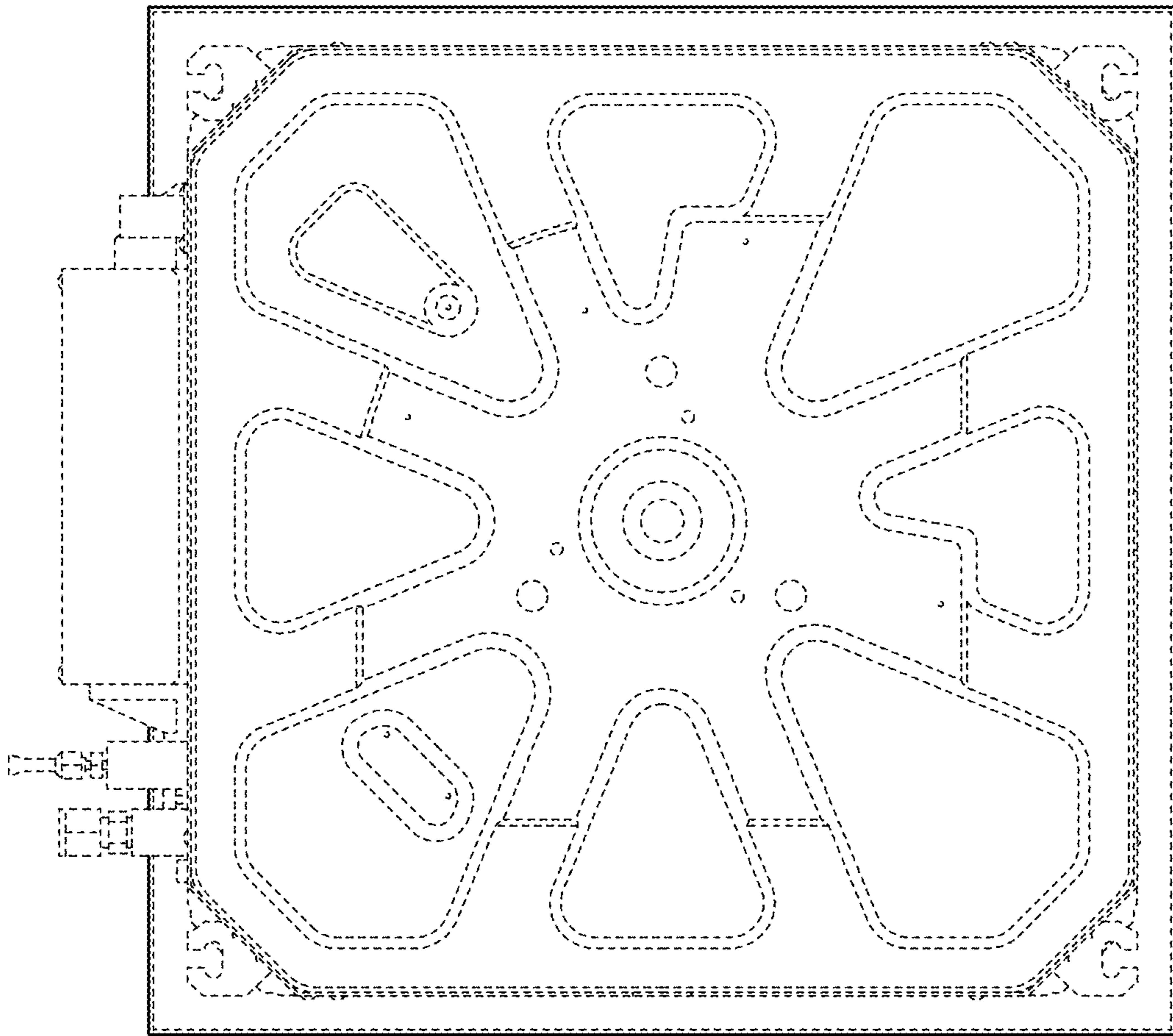


FIG. 3

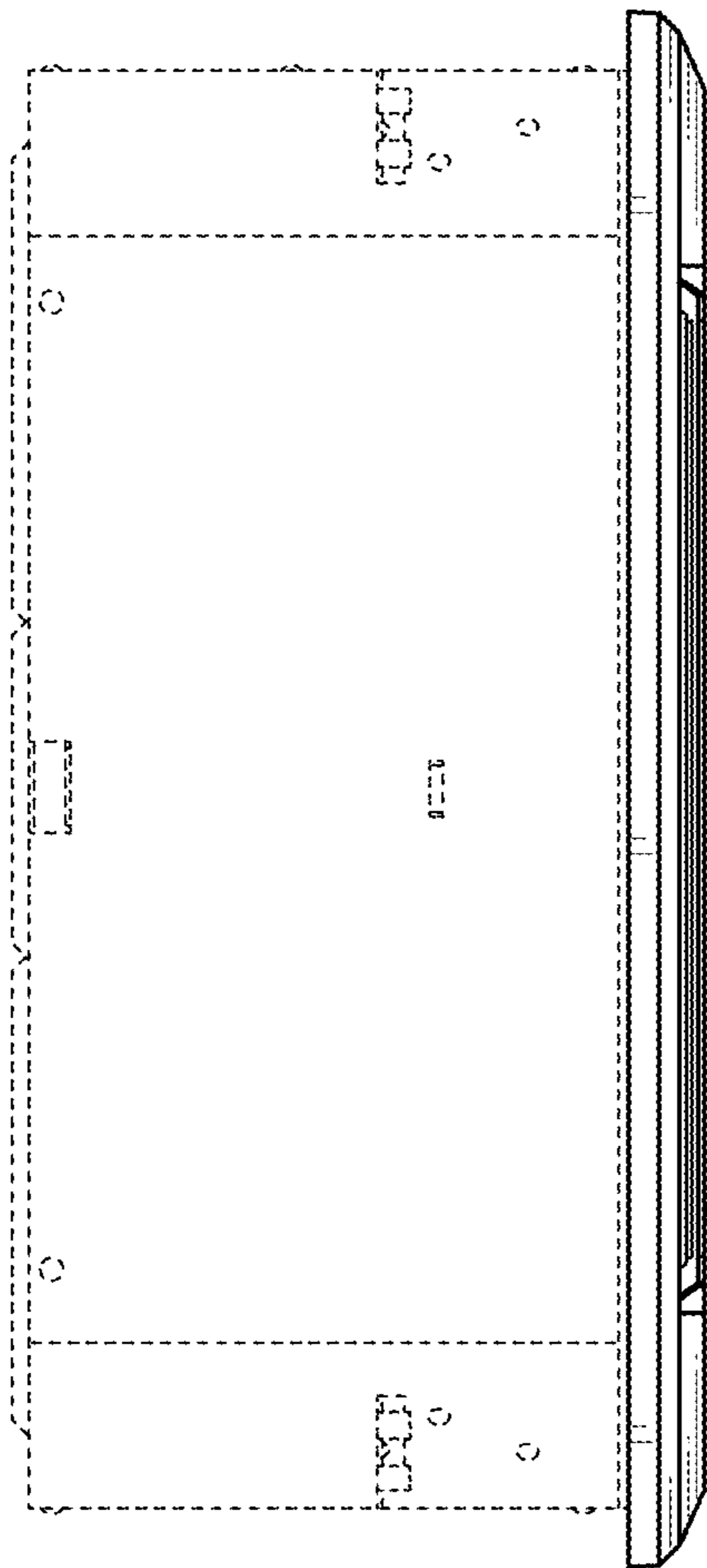


FIG. 4

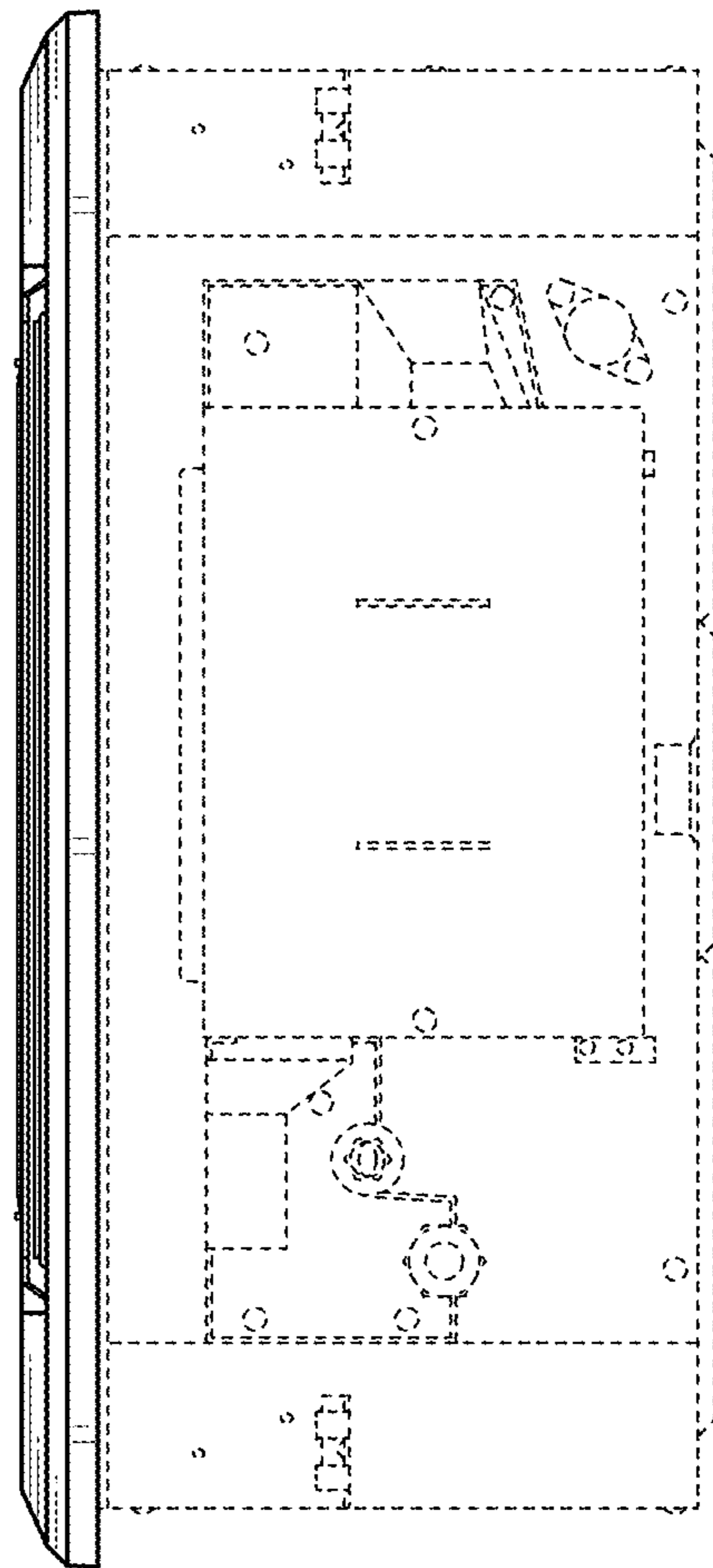


FIG. 5

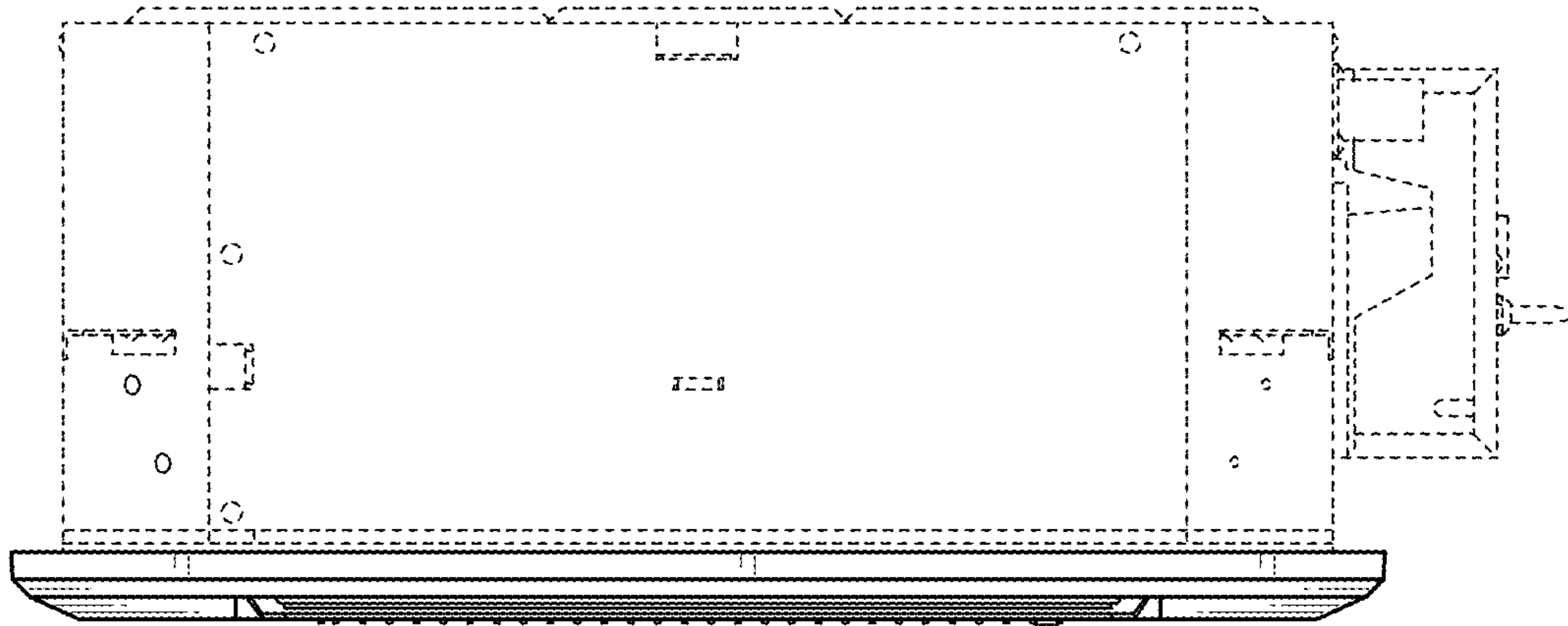


FIG. 6

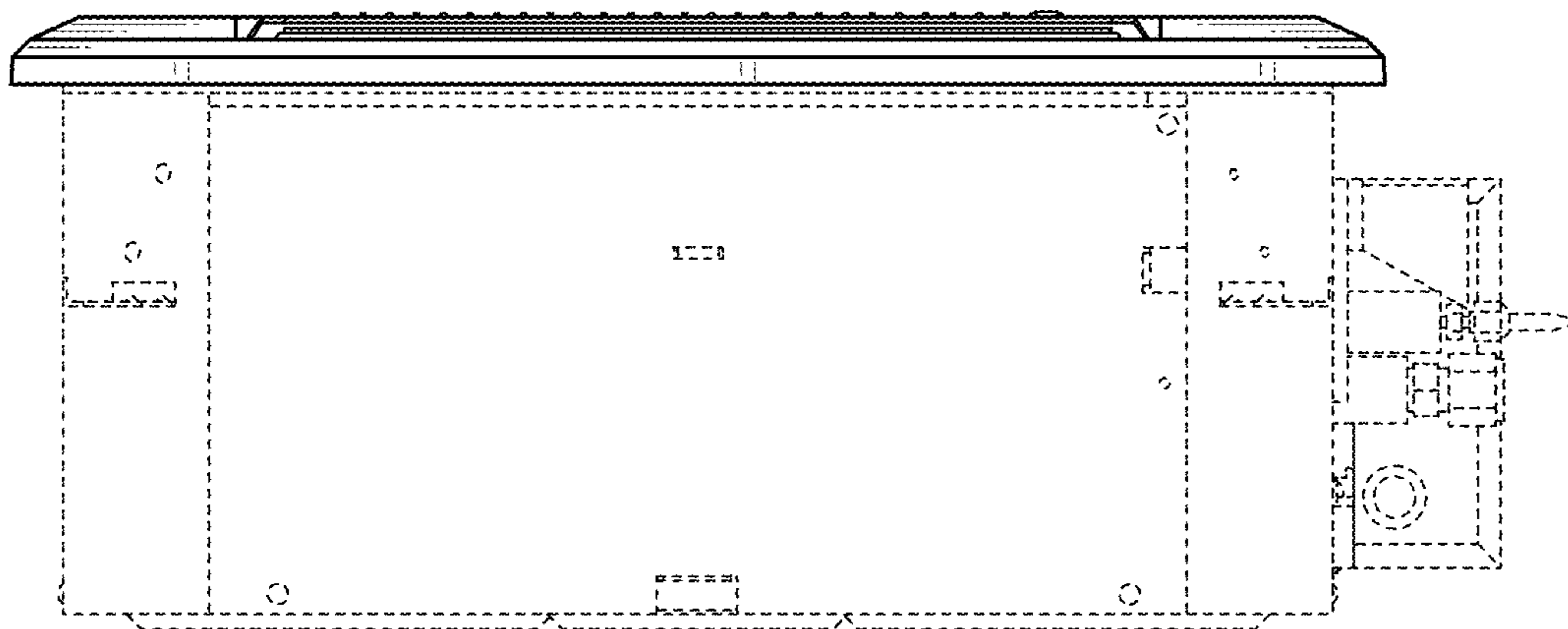


FIG. 7