



US00D882053S

(12) **United States Design Patent**  
**Gupta**

(10) **Patent No.:** **US D882,053 S**

(45) **Date of Patent:** **\*\* \*Apr. 21, 2020**

(54) **BIDET WASHING APPARATUS**

*Primary Examiner* — Robert A Delehanty

(71) Applicant: **Anjum Gupta**, San Diego, CA (US)

(57) **CLAIM**

The ornamental design for a bidet washing apparatus, as shown.

(72) Inventor: **Anjum Gupta**, San Diego, CA (US)

(\*) Notice: This patent is subject to a terminal disclaimer.

**DESCRIPTION**

(\*\*) Term: **15 Years**

FIG. 1 is a top plan view of a bidet washing apparatus design;  
FIG. 2 is a front view of a bidet washing apparatus design;  
FIG. 3 is a bottom view of a bidet washing apparatus design;  
FIG. 4 is a right-side view of a bidet washing apparatus design;  
FIG. 5 is a left-side view of a bidet washing apparatus design;  
FIG. 6 is a top right-side view of a bidet washing apparatus design;  
FIG. 7 is a bottom front right-side view of a bidet washing apparatus design;  
FIG. 8 is a bottom front left-side view of a bidet washing apparatus design;  
FIG. 9 is a bottom rear right-side view of a bidet washing apparatus design;  
FIG. 10 is a bottom rear left-side view of a bidet washing apparatus design;  
FIG. 11 is a rear view of a bidet washing apparatus design;  
FIG. 12 is a top front left-side view of a bidet washing apparatus design;  
FIG. 13 is a top rear right-side view of a bidet washing apparatus design; and,  
FIG. 14 is a top rear left-side view of a bidet washing apparatus design.

(21) Appl. No.: **29/619,139**

(22) Filed: **Sep. 27, 2017**

(51) **LOC (12) Cl.** ..... **23-02**

(52) **U.S. Cl.**  
USPC ..... **D23/309**

(58) **Field of Classification Search**  
USPC ..... D23/303, 309, 311–312, 295  
CPC ..... E03D 9/08; Y10T 137/88102; A47K 3/20  
See application file for complete search history.

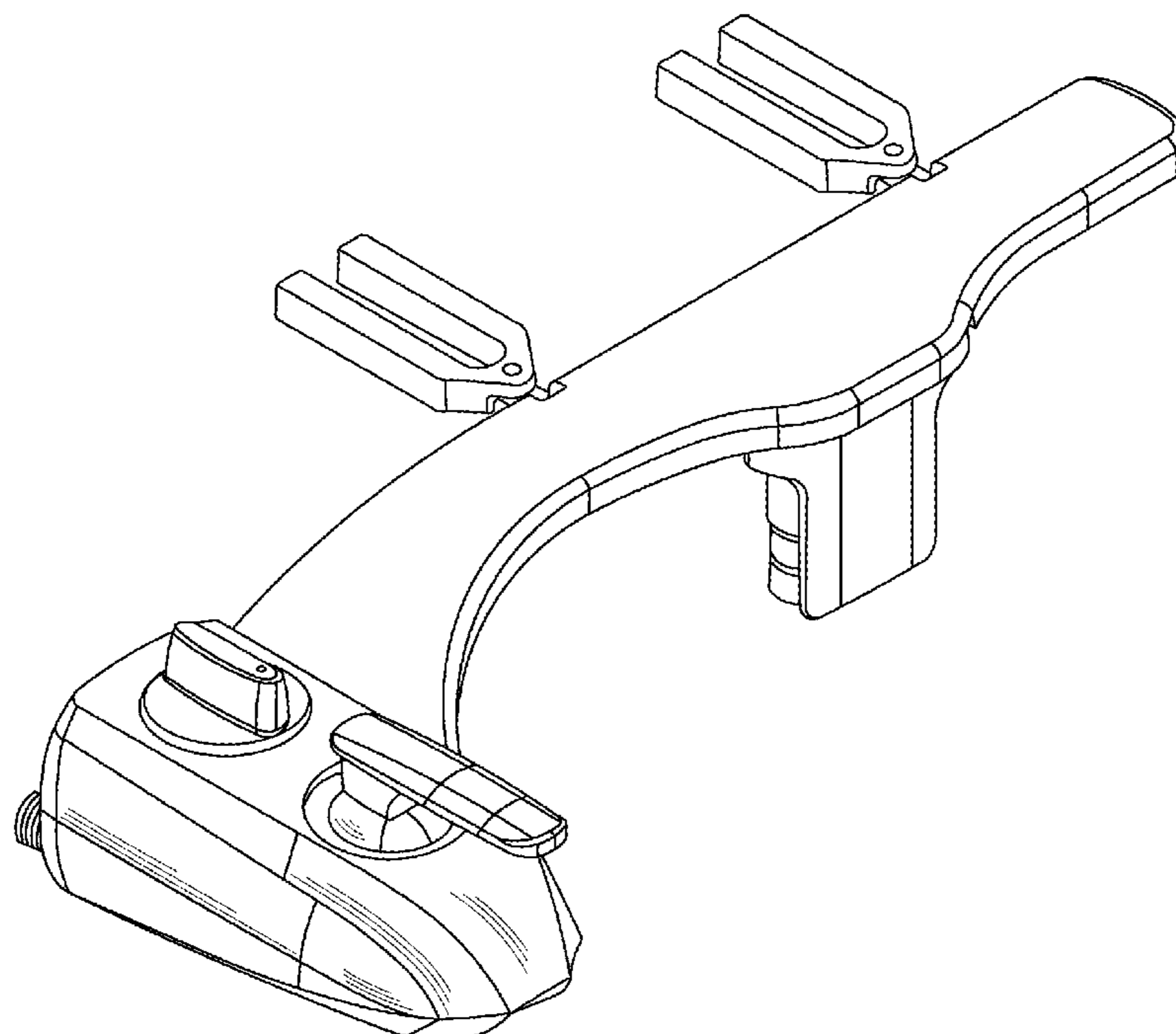
(56) **References Cited**

**U.S. PATENT DOCUMENTS**

4,642,820	A *	2/1987	Boring, Jr.	.....	E03D 9/08 137/616.7
D377,680	S *	1/1997	Kimber	.....	D23/303
5,647,070	A *	7/1997	Yu	.....	E03D 9/08 4/420.4
8,261,377	B2 *	9/2012	Oh	.....	E03D 9/08 4/420.5
8,296,872	B2 *	10/2012	Yao	.....	E03D 9/08 4/420.2
D714,428	S *	9/2014	Gupta	.....	D23/309

\* cited by examiner

**1 Claim, 14 Drawing Sheets**



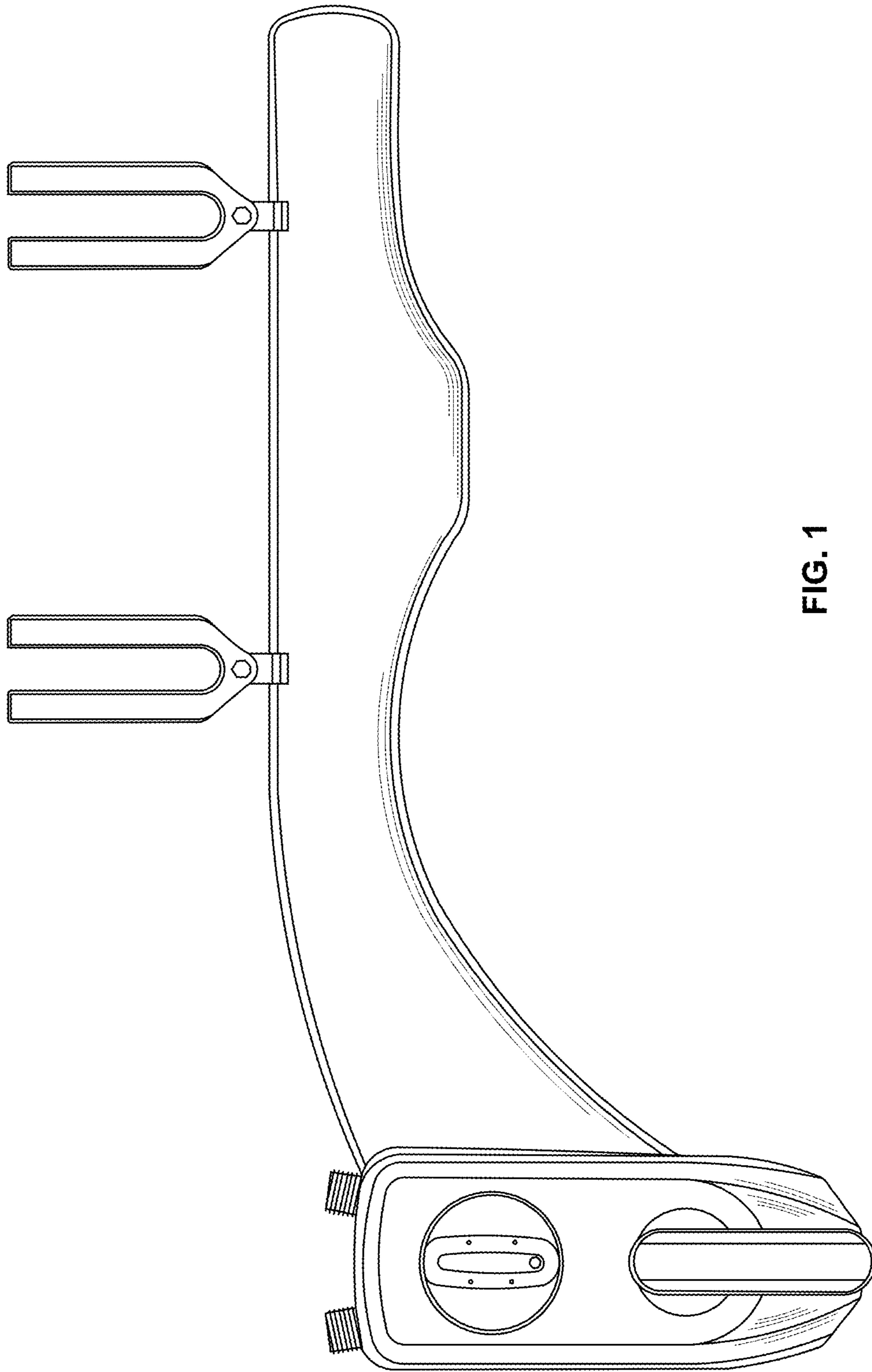


FIG. 1

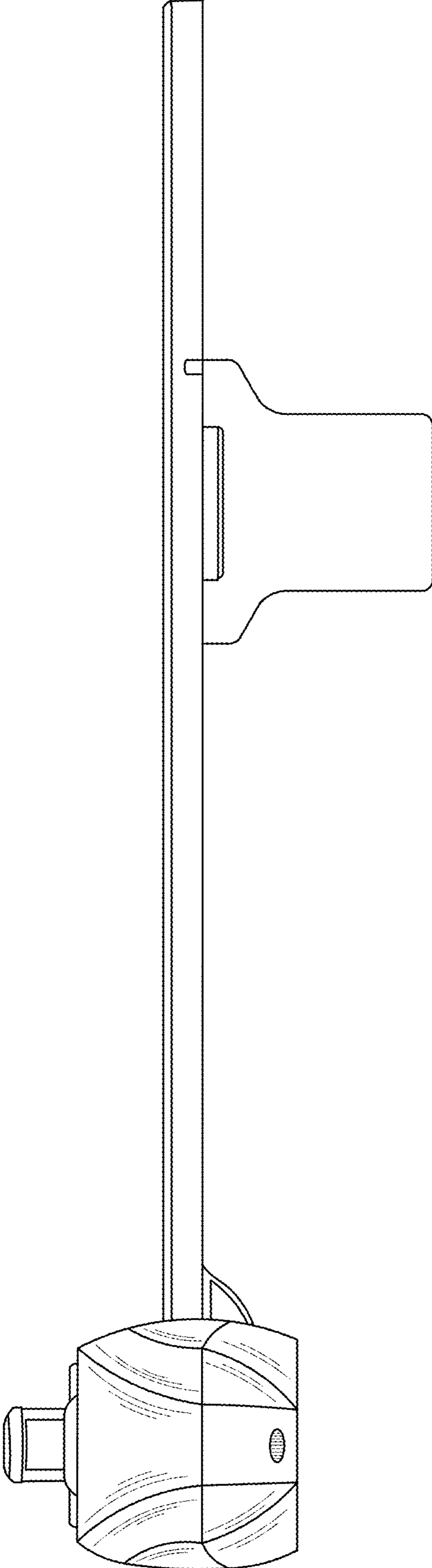


FIG. 2

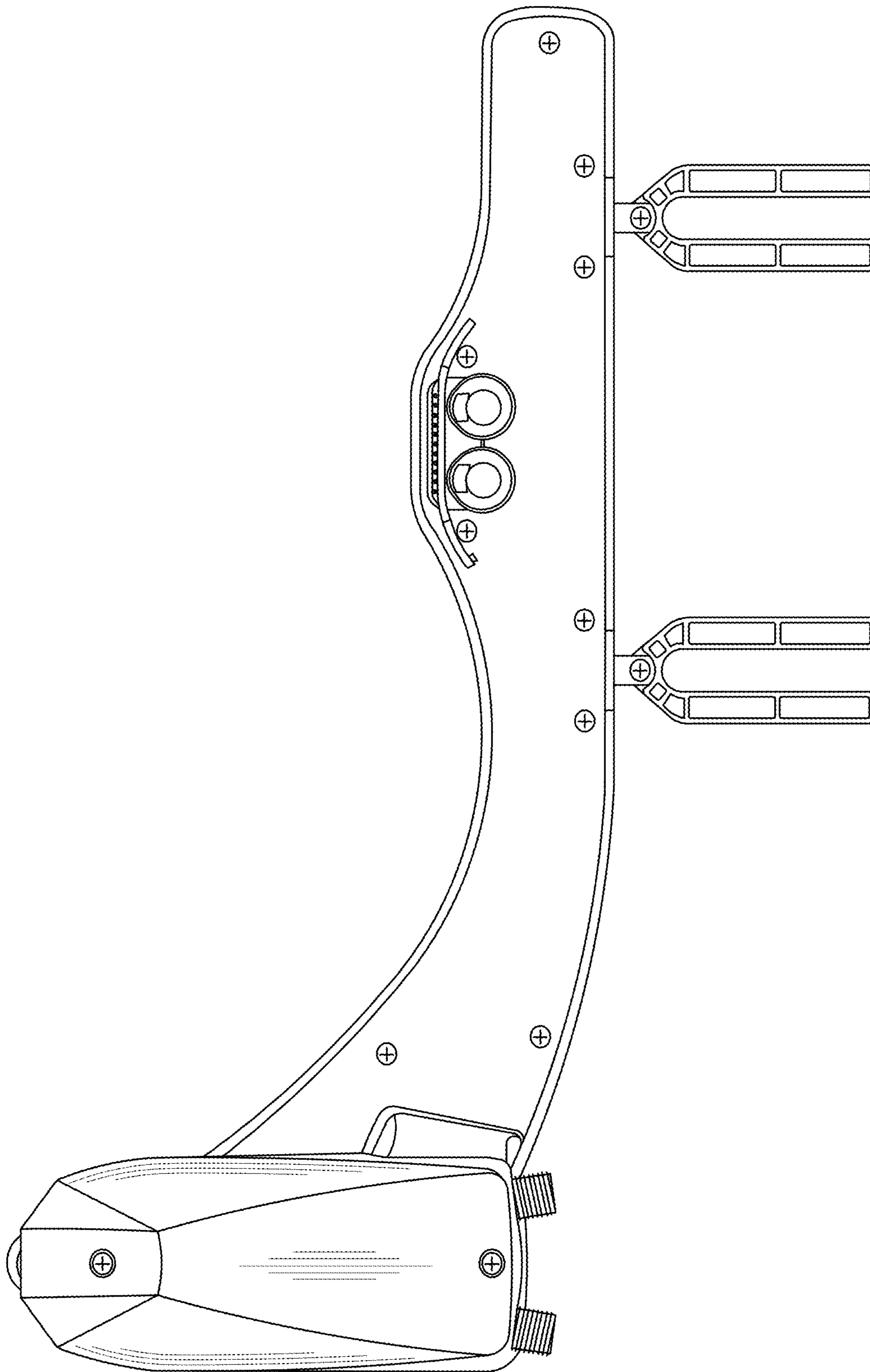


FIG. 3

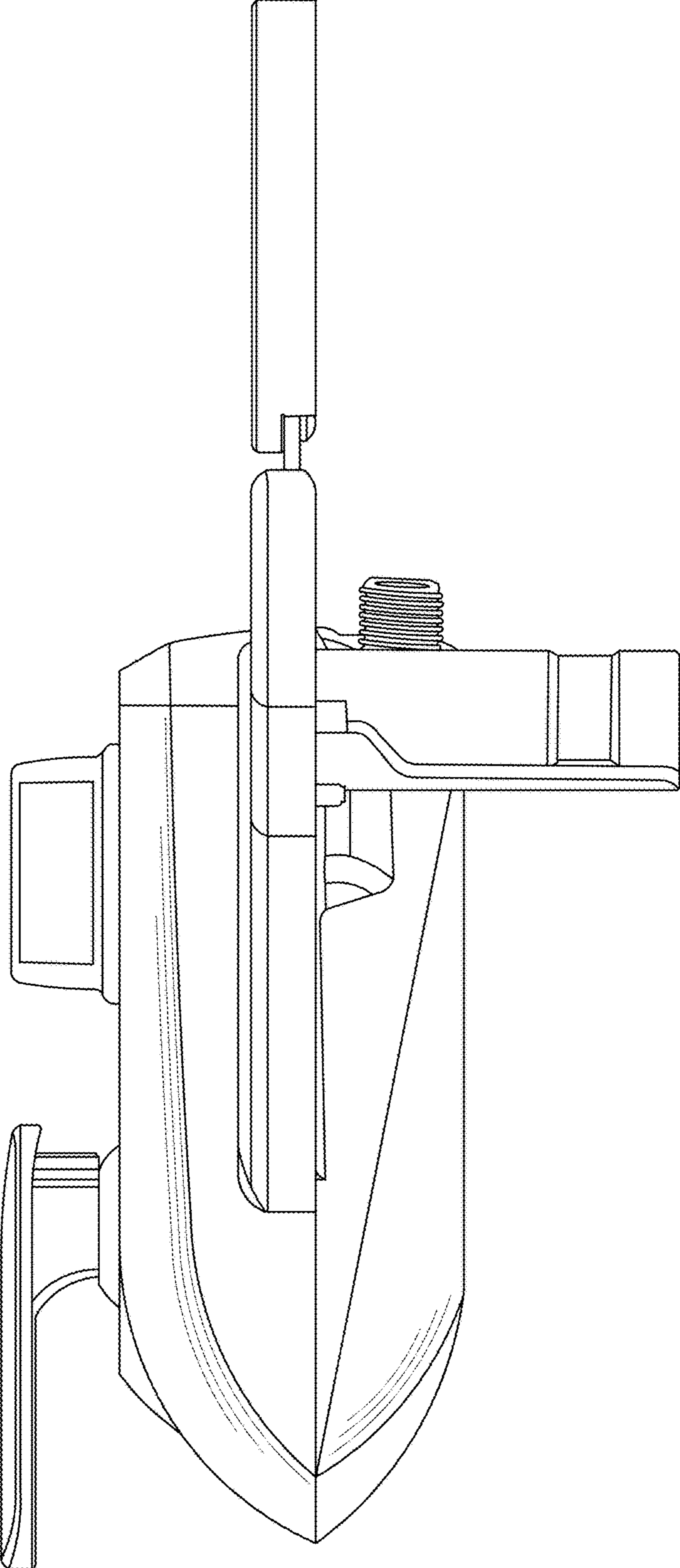


FIG. 4

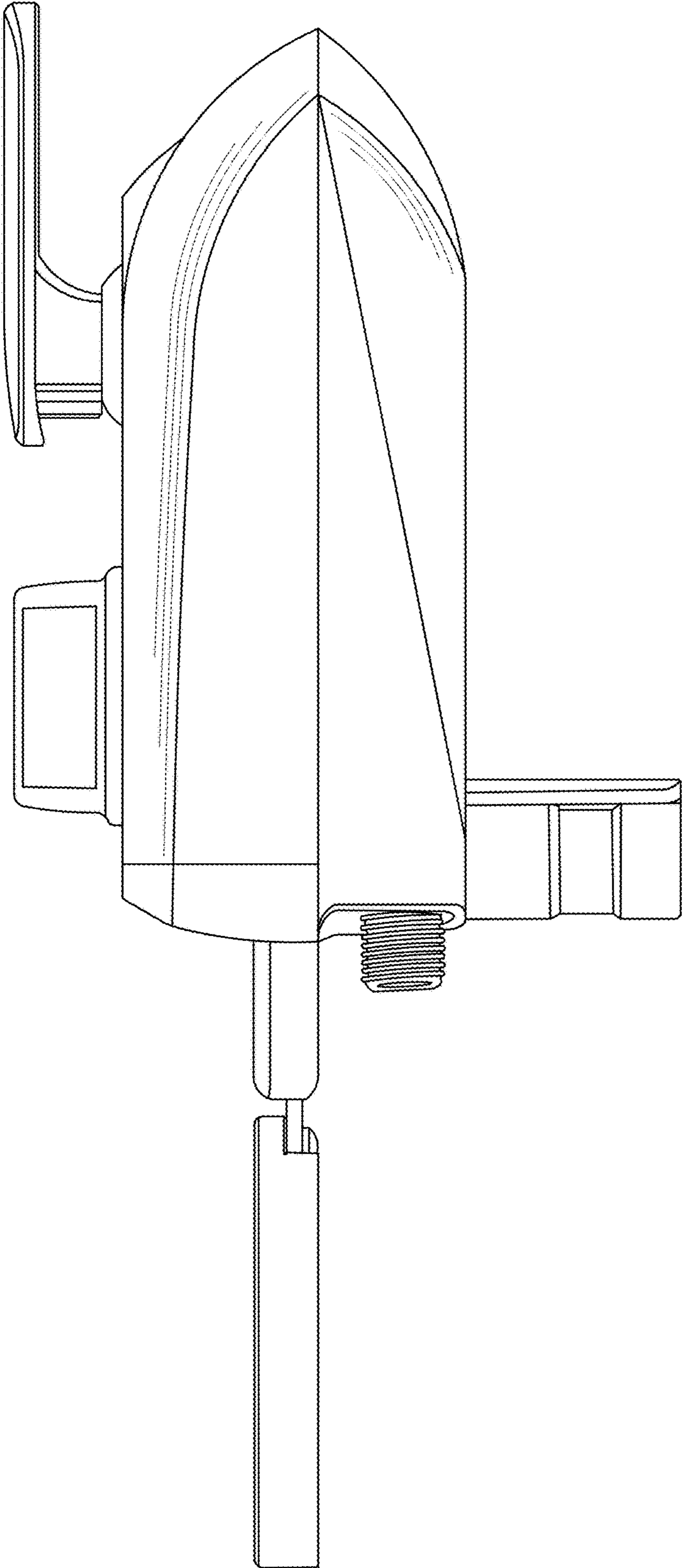


FIG. 5

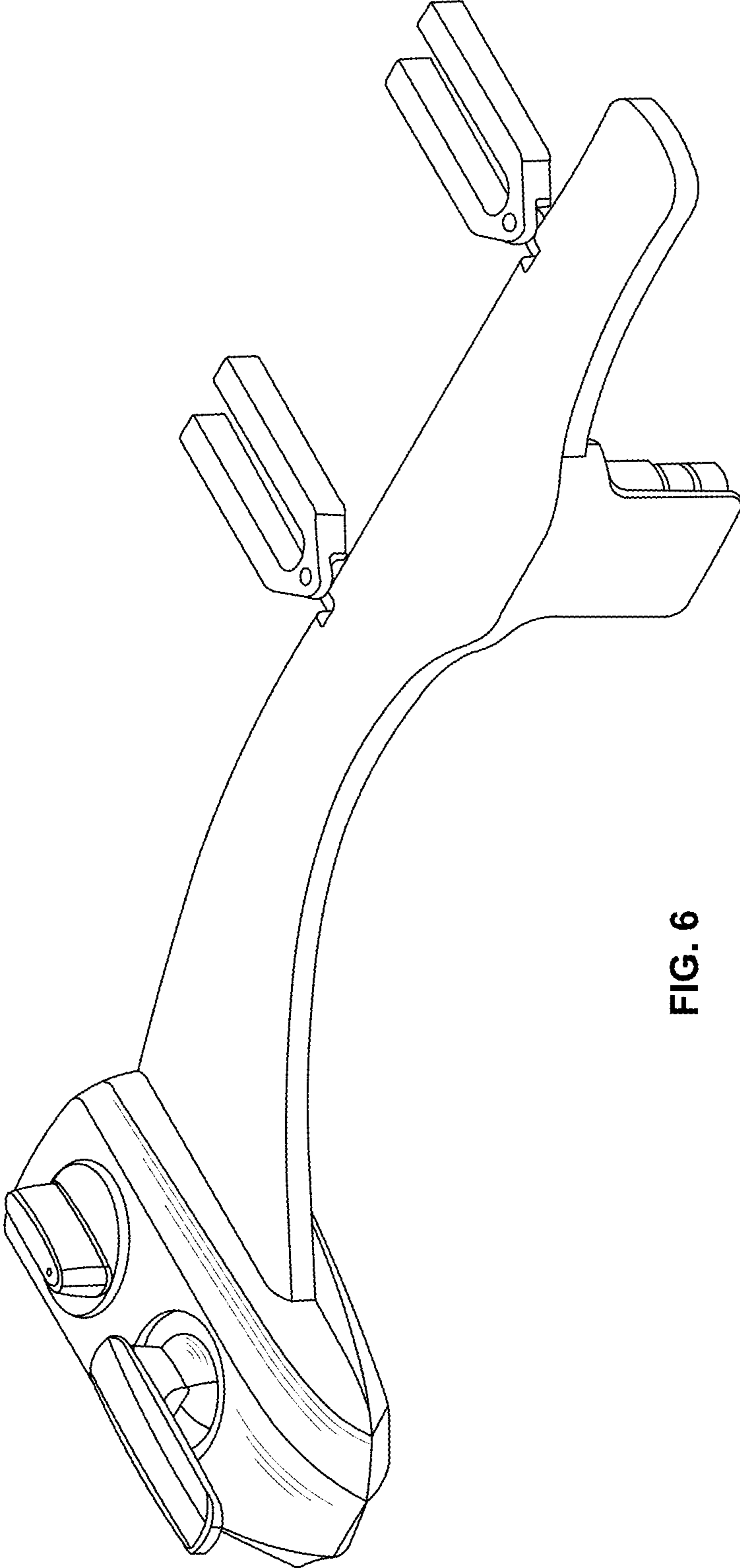


FIG. 6

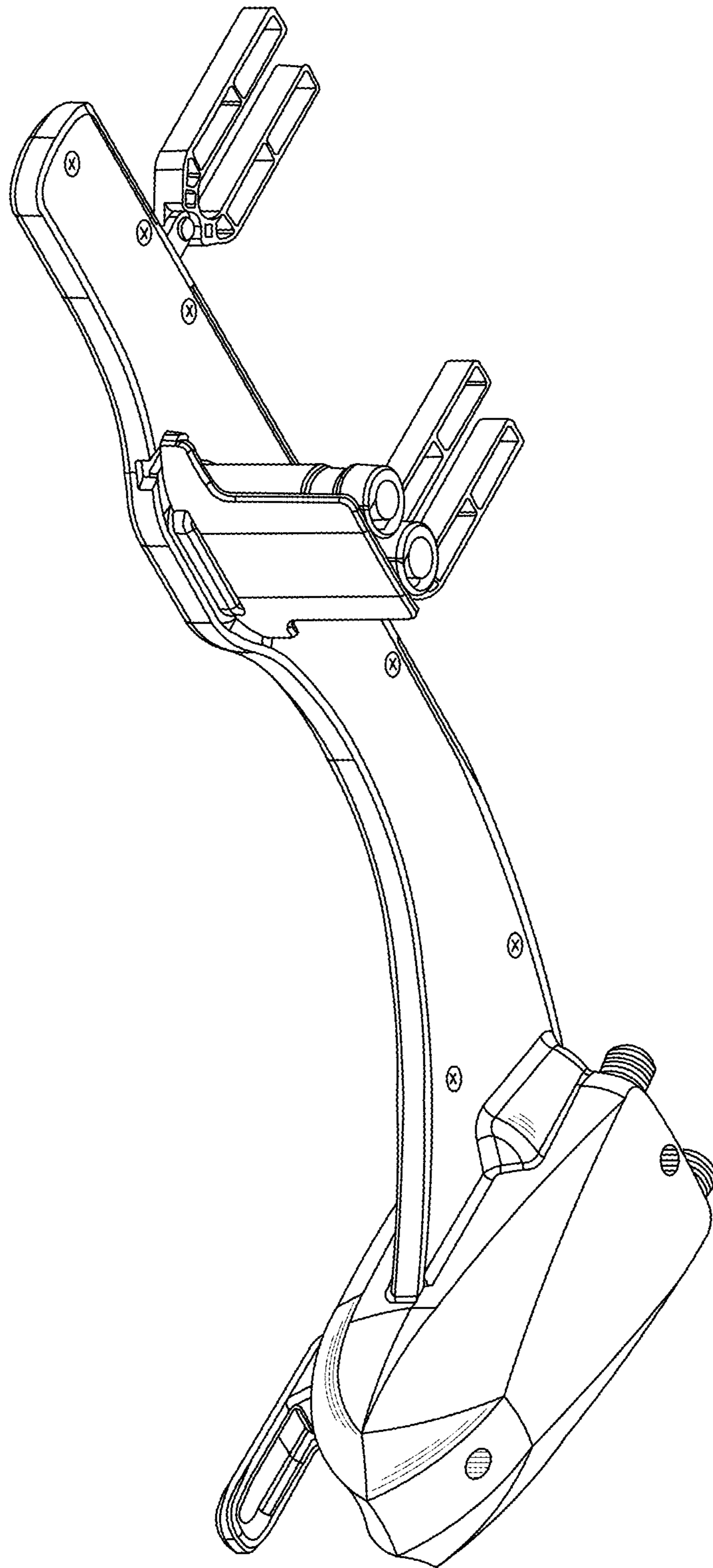


FIG. 7



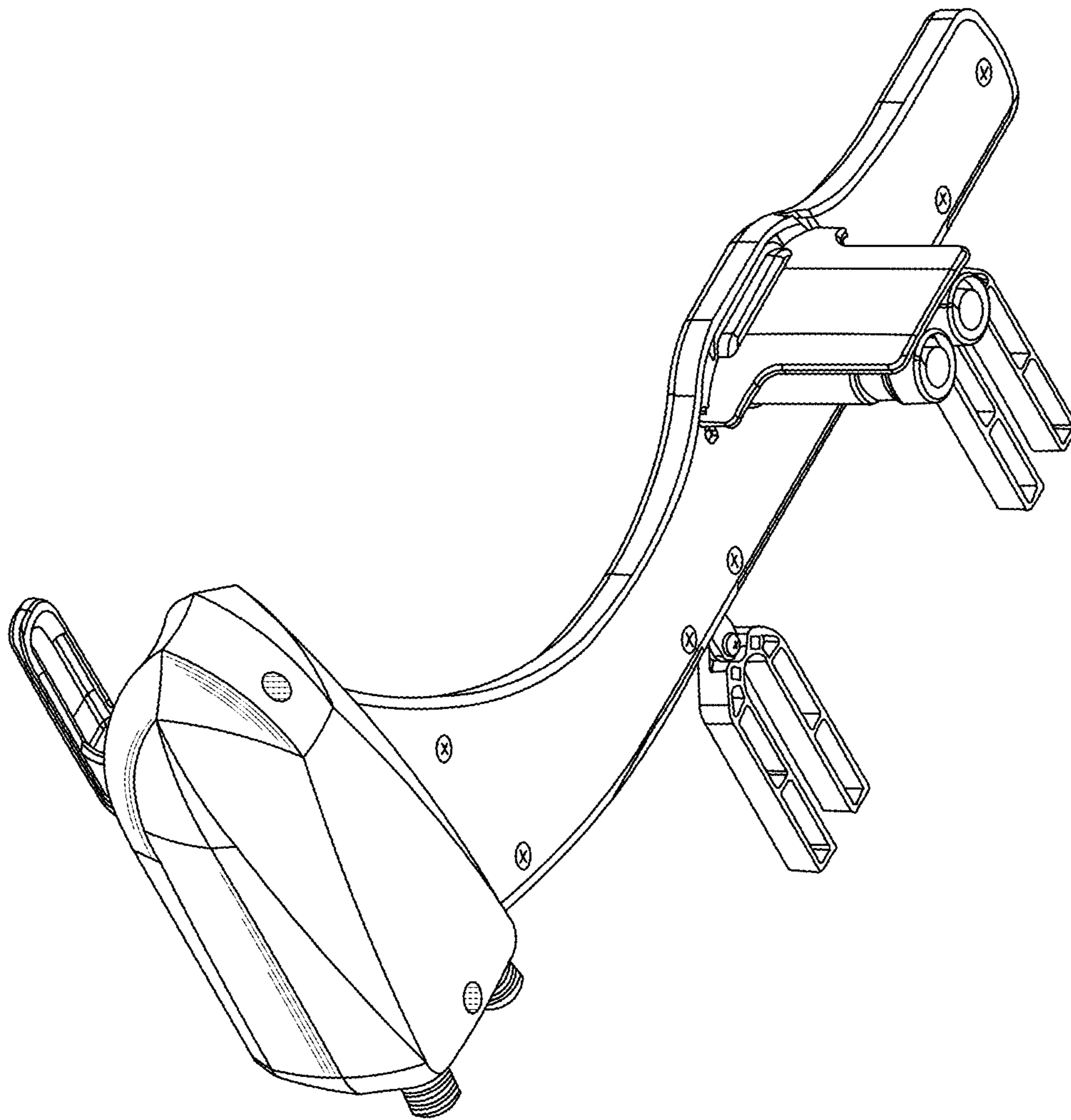


FIG. 8

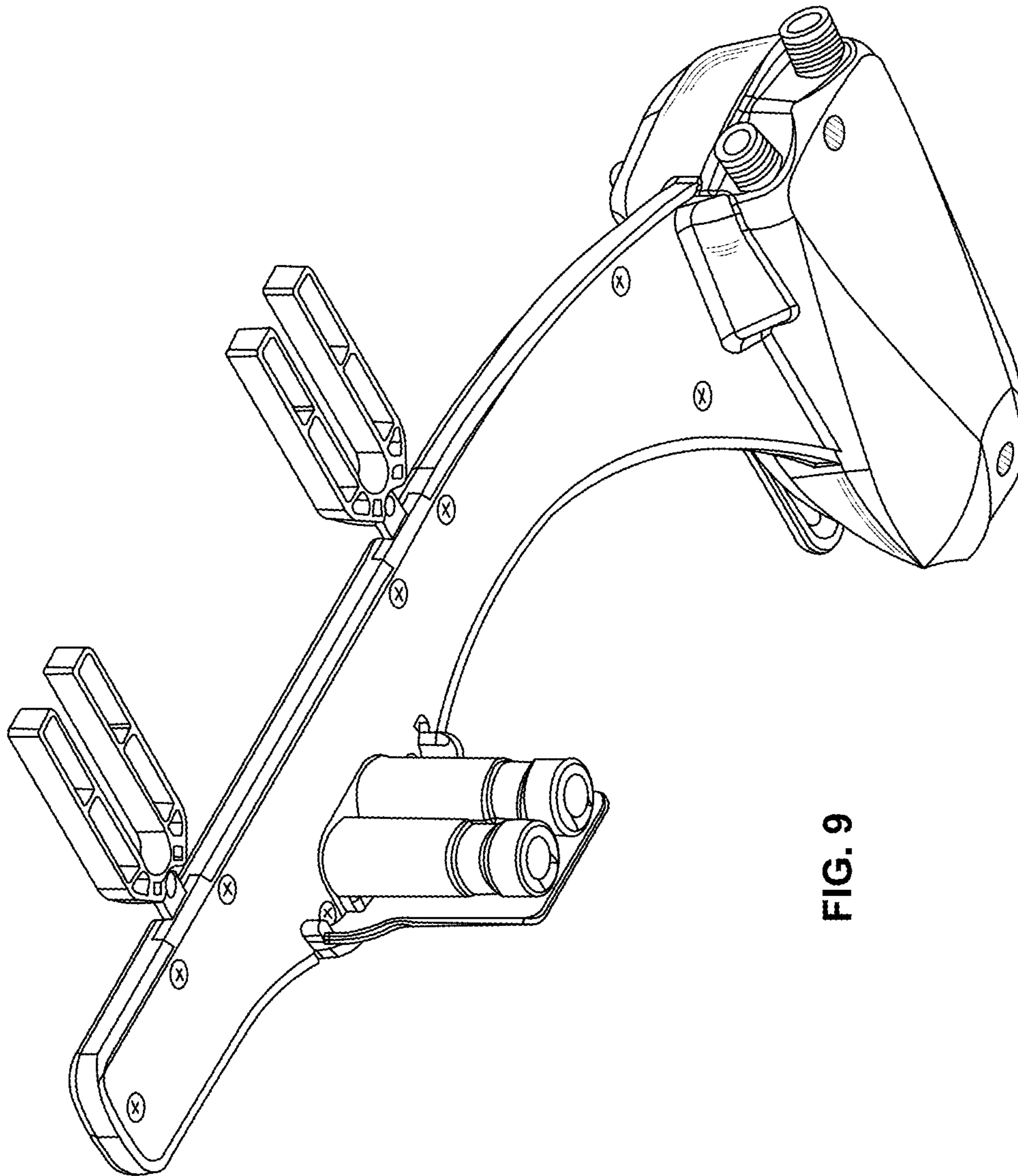


FIG. 9

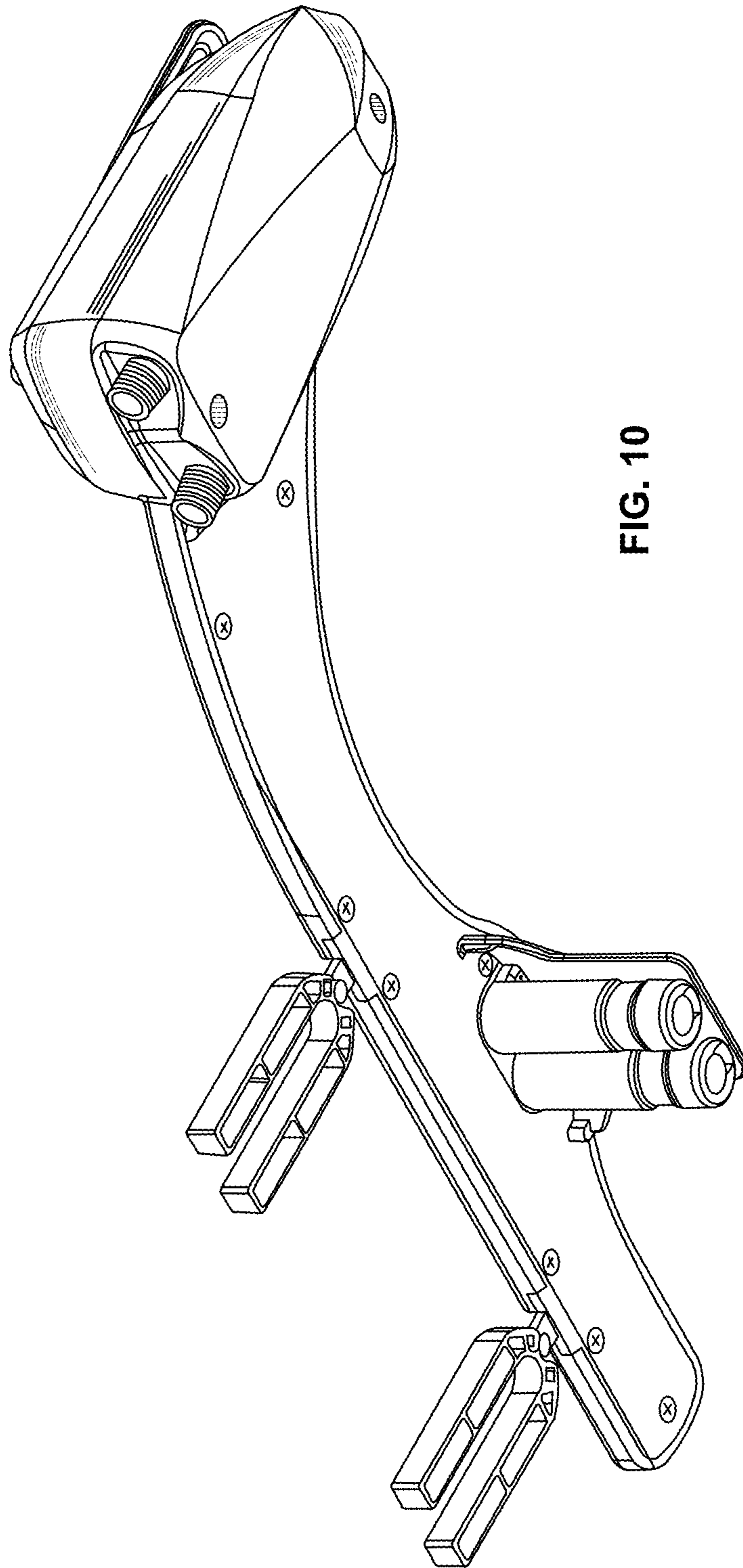


FIG. 10

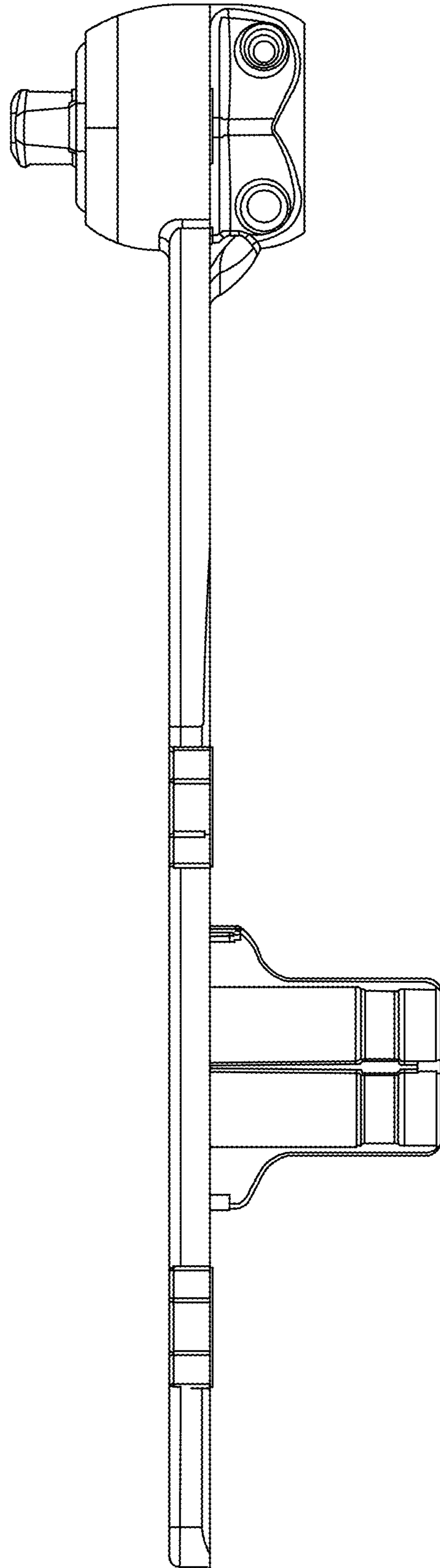


FIG. 11

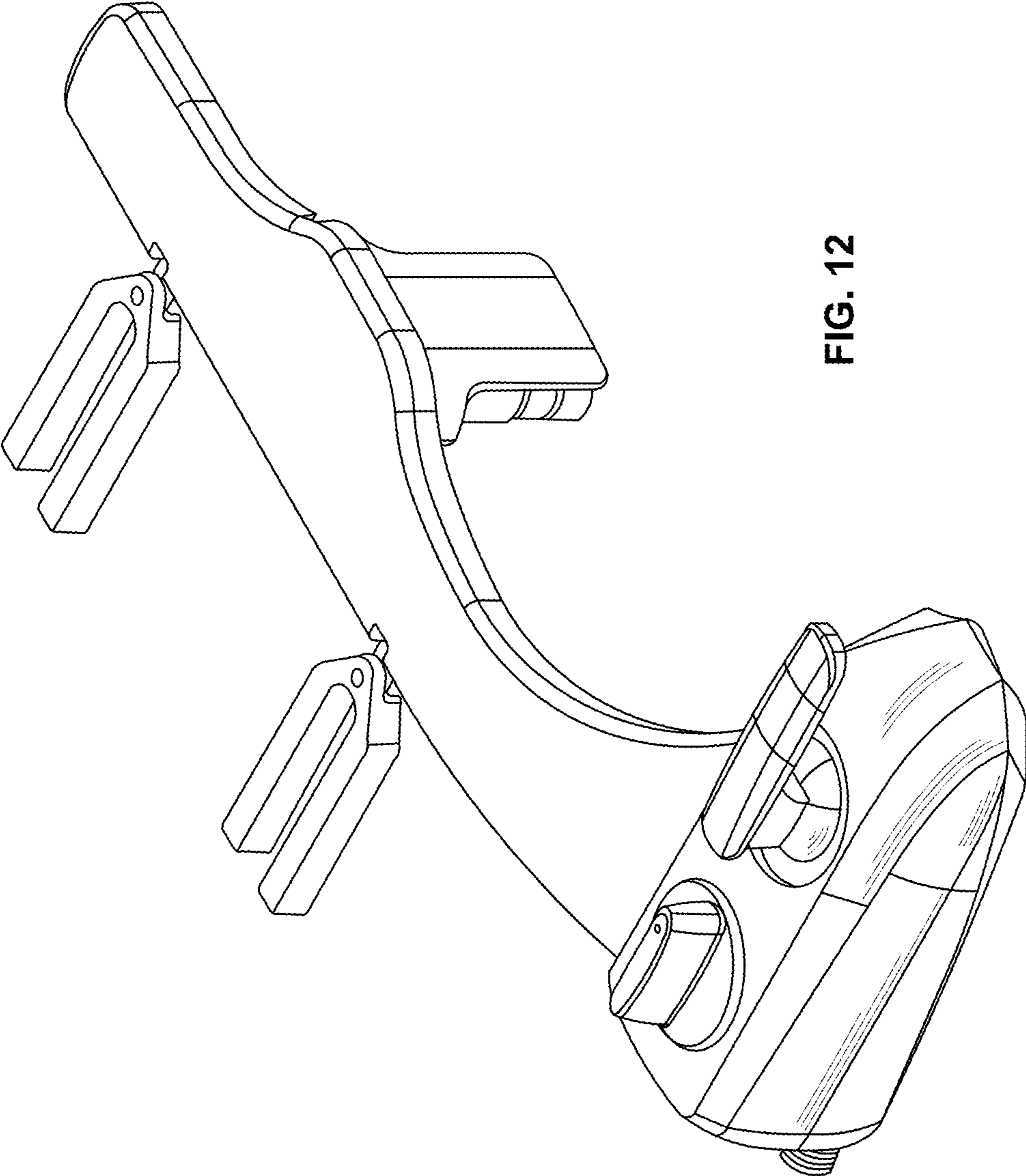


FIG. 12

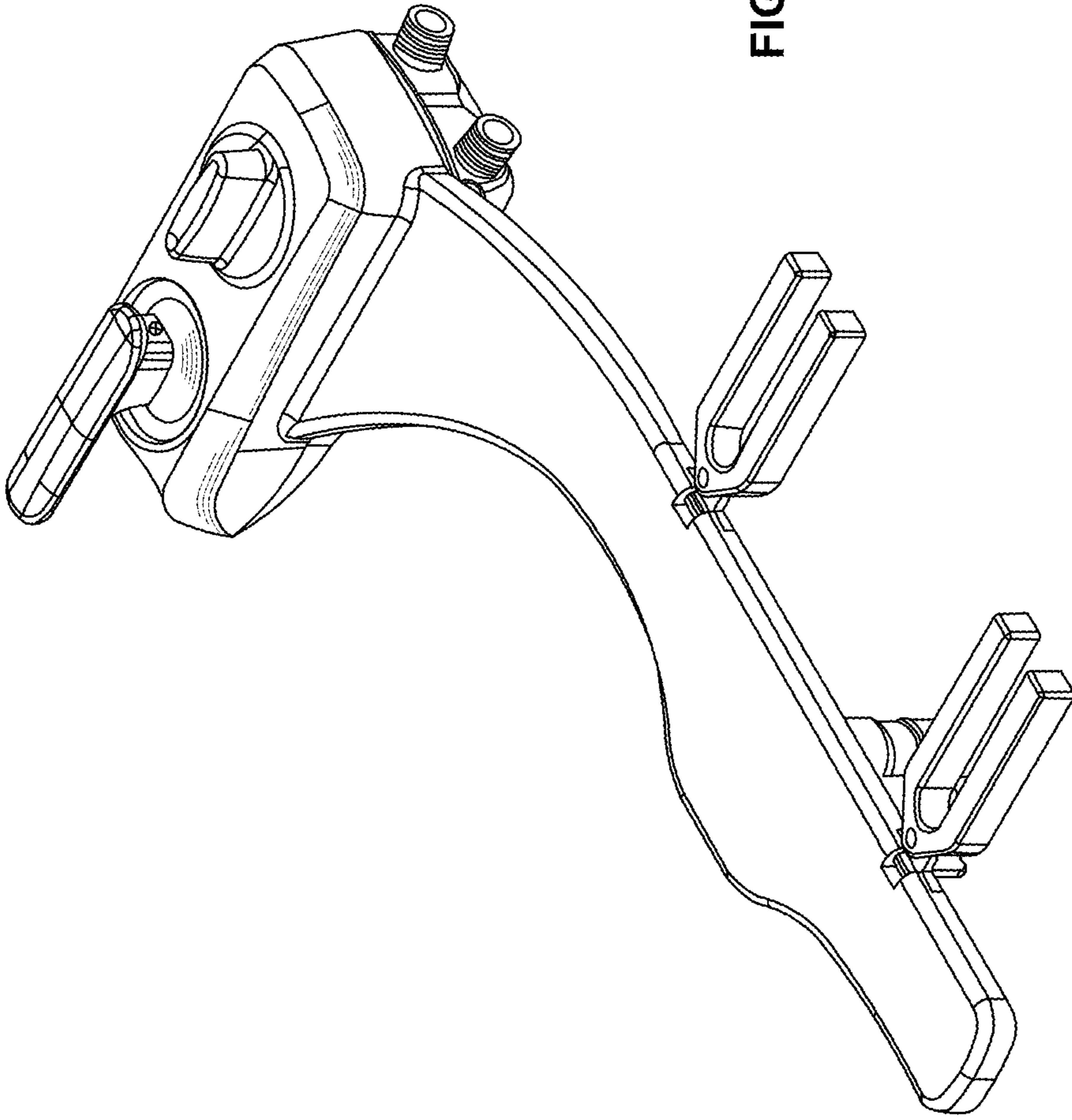


FIG. 13

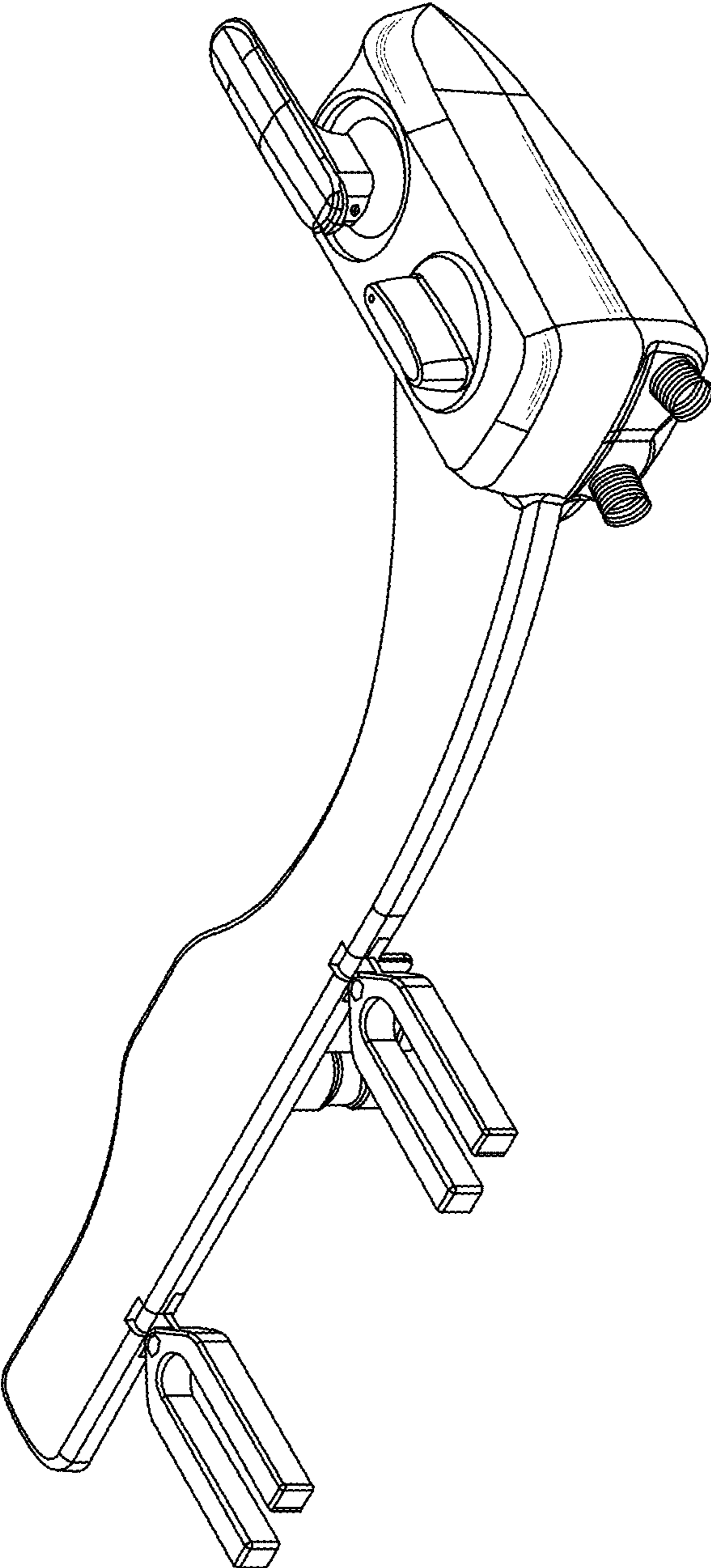


FIG. 14