



US00D882051S

(12) **United States Design Patent**  
**Armstrong**

(10) **Patent No.:** **US D882,051 S**  
(45) **Date of Patent:** **\*\* Apr. 21, 2020**

- (54) **PORTABLE TOILET BOWL**
- (71) Applicant: **Joe Armstrong**, Remlap, AL (US)
- (72) Inventor: **Joe Armstrong**, Remlap, AL (US)
- (\*\*) Term: **15 Years**
- (21) Appl. No.: **29/685,115**
- (22) Filed: **Mar. 26, 2019**
- (51) **LOC (12) Cl.** ..... **23-02**
- (52) **U.S. Cl.**  
USPC ..... **D23/299**
- (58) **Field of Classification Search**  
USPC ..... D23/296, 303, 309, 311, 299; D12/128,  
D12/130-131  
CPC ..... A47K 13/06; A47K 13/24; A47K 17/028;  
A47K 11/04; A47C 12/02; G09B  
19/0076; Y10S 4/902; A61G 5/006  
See application file for complete search history.

D829,137 S \* 9/2018 Hommen ..... D12/131  
 10,219,659 B1 3/2019 Armstrong  
 2005/0076426 A1\* 4/2005 Battiston ..... A47K 11/04  
 4/483  
 2016/0353950 A1\* 12/2016 Lederer ..... A47K 11/04  
 \* cited by examiner

*Primary Examiner* — Robert A Delehanty

(57) **CLAIM**

The ornamental design for a portable toilet bowl, as shown and described.

**DESCRIPTION**

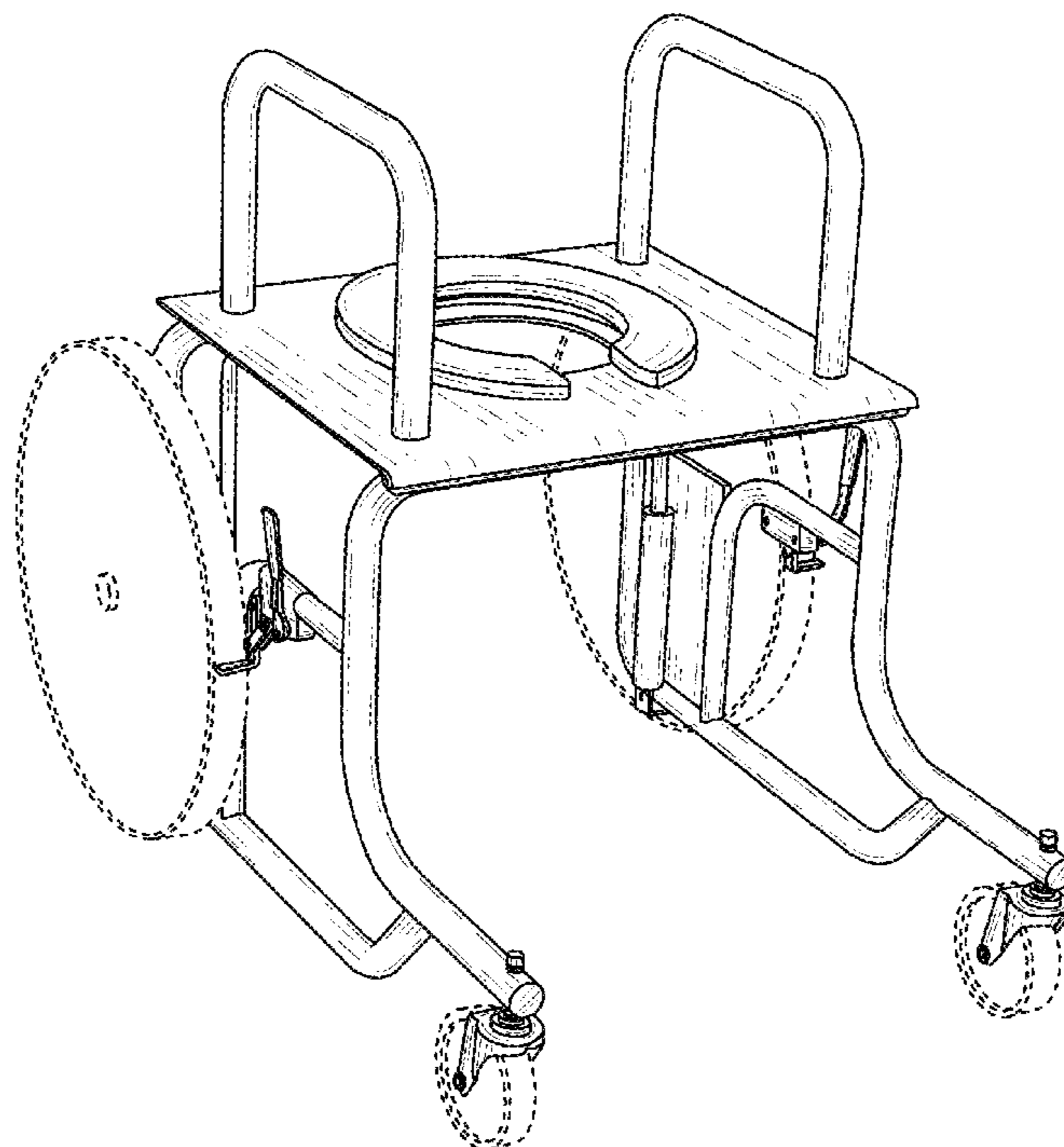
FIG. 1 is a top front perspective view of a portable toilet bowl in a retracted configuration;  
 FIG. 2 is a bottom front perspective view thereof;  
 FIG. 3 is a top rear perspective view thereof;  
 FIG. 4 is a front elevational view thereof;  
 FIG. 5 is a rear elevational view thereof;  
 FIG. 6 is a top plan view thereof;  
 FIG. 7 is a bottom plan view thereof;  
 FIG. 8 is a left side view thereof;  
 FIG. 9 is a right side view thereof;  
 FIG. 10 is a bottom rear perspective view of a portable toilet bowl in an extended configuration;  
 FIG. 11 is a top front perspective view thereof; and,  
 FIG. 12 is a left side view thereof.  
 The broken line showing the aircraft antenna beacon light in FIGS. 1-12 are included for the purpose of showing environmental structure and form no part of the claimed design.

(56) **References Cited**

**U.S. PATENT DOCUMENTS**

4,165,127 A \* 8/1979 Vago ..... A61G 5/00  
 280/87.021  
 D282,868 S \* 3/1986 Shigenaka ..... D23/299  
 5,251,862 A \* 10/1993 Raymond ..... A61G 7/1011  
 248/396  
 5,380,034 A \* 1/1995 Wilson ..... A61G 5/006  
 280/30  
 8,480,100 B2 \* 7/2013 Staggs ..... A61G 5/1002  
 135/67  
 8,627,518 B1 \* 1/2014 Lederer ..... A47K 11/04  
 4/438  
 D728,763 S \* 5/2015 Nelson ..... D23/299  
 D800,877 S \* 10/2017 Uche ..... D23/299

**1 Claim, 12 Drawing Sheets**



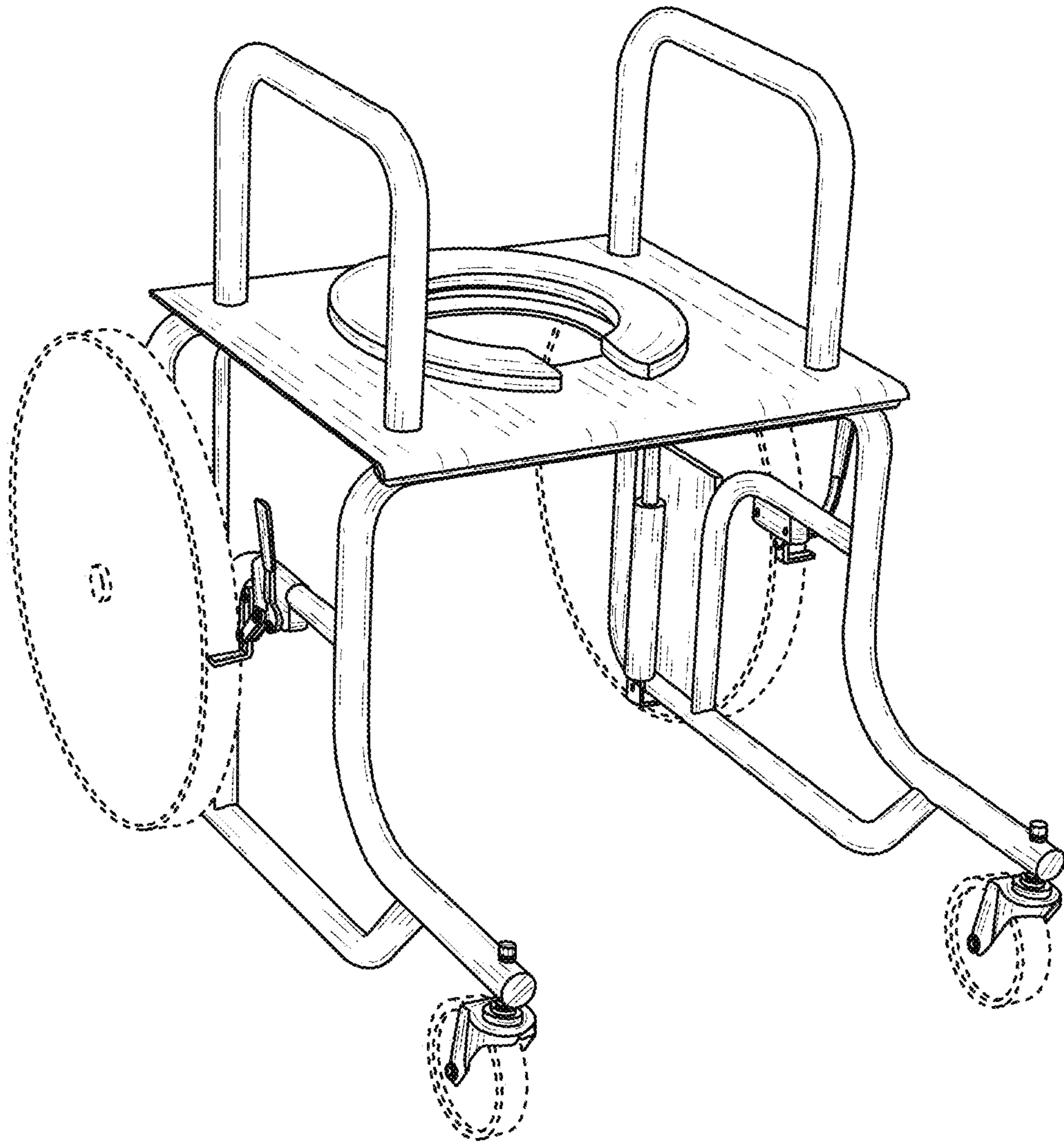


FIG. 1

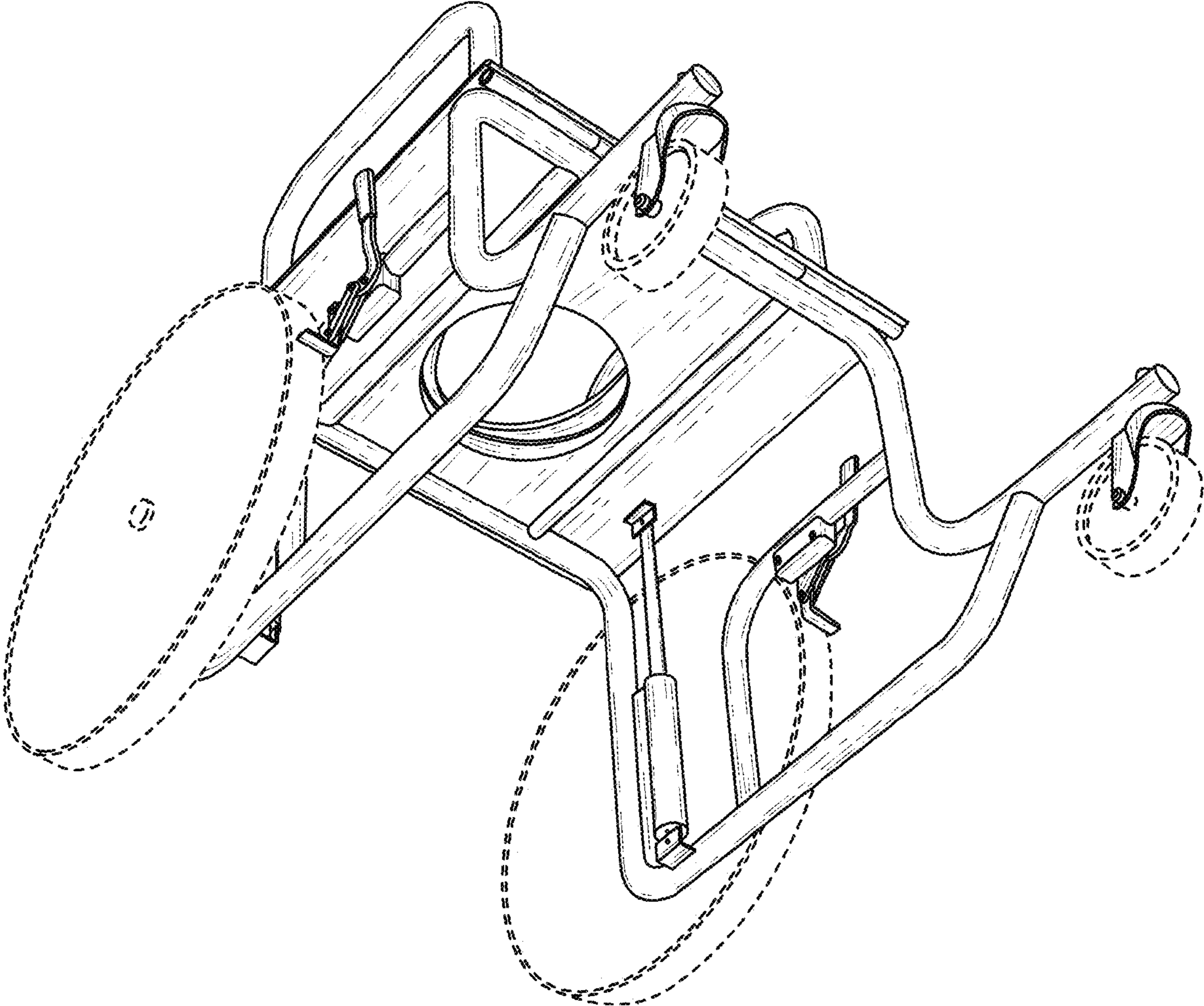


FIG. 2

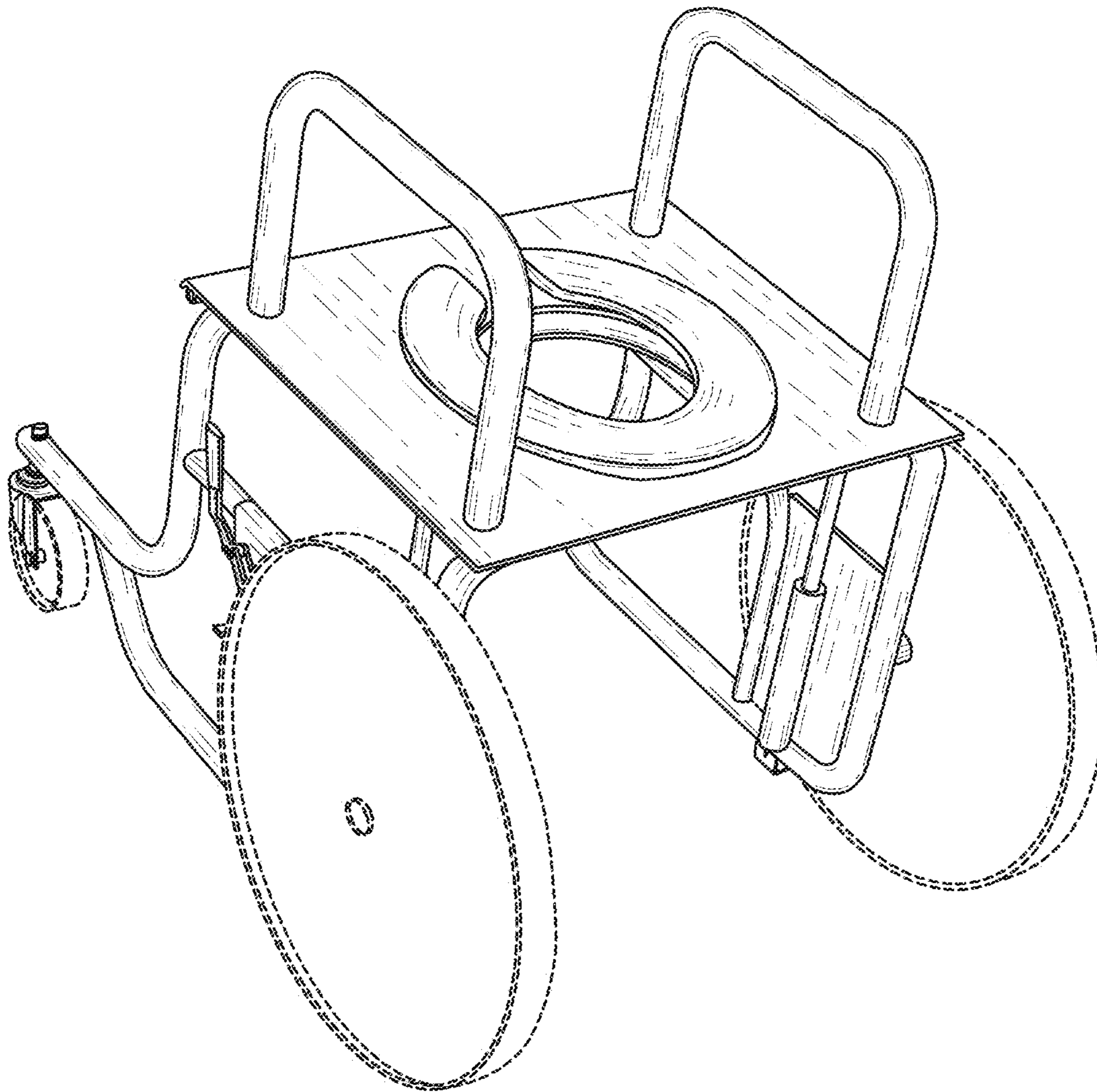


FIG. 3

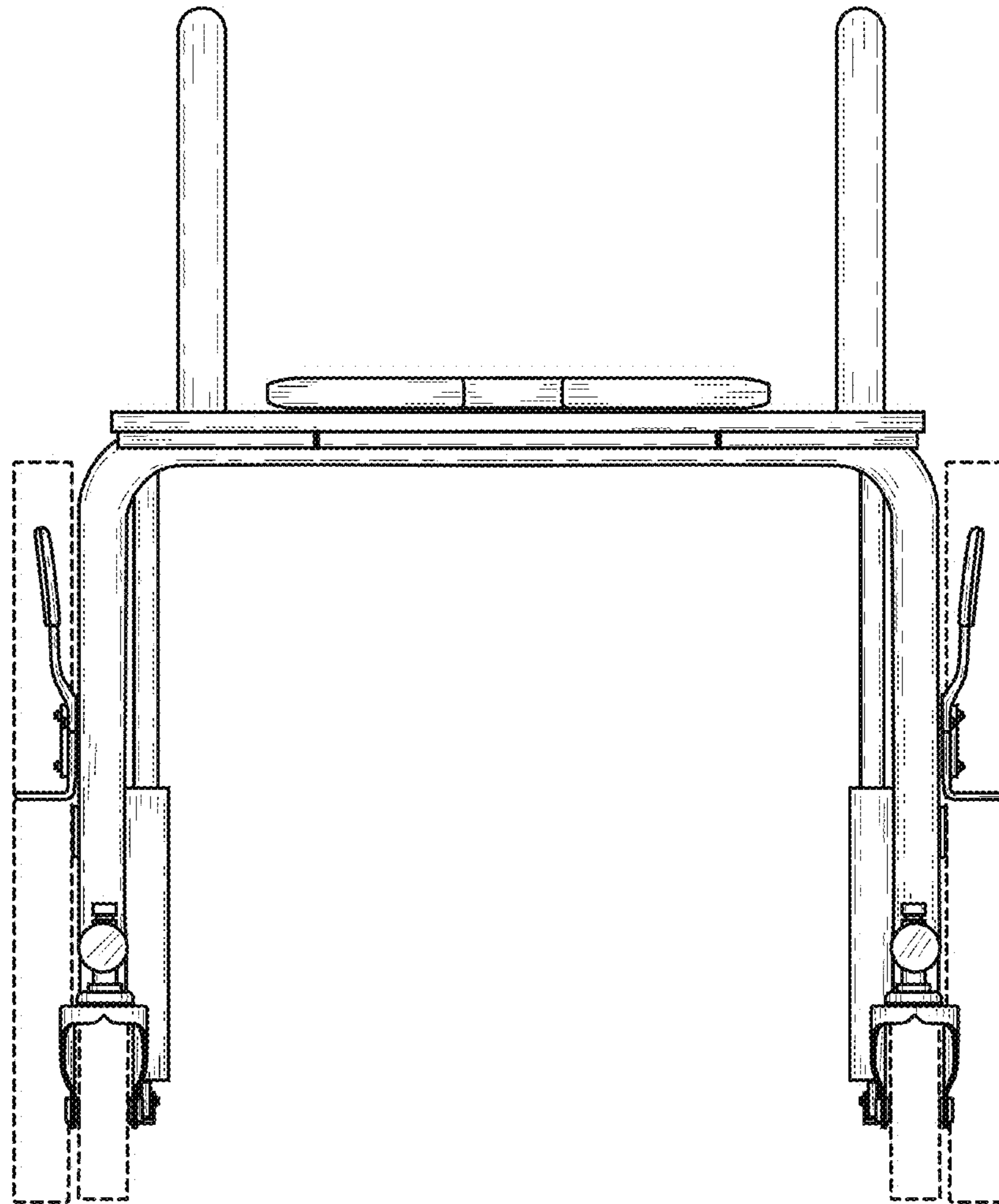


FIG. 4

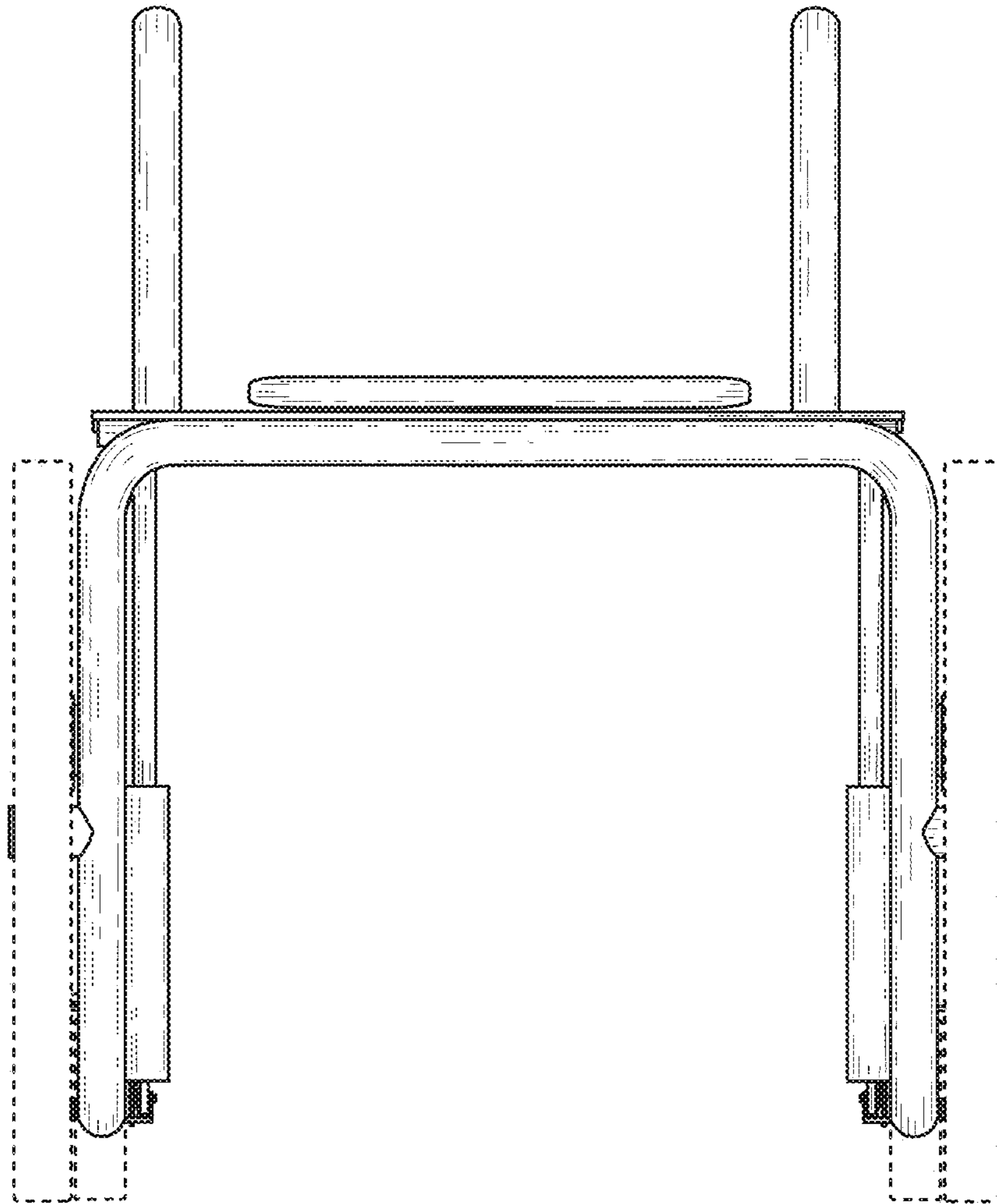


FIG. 5

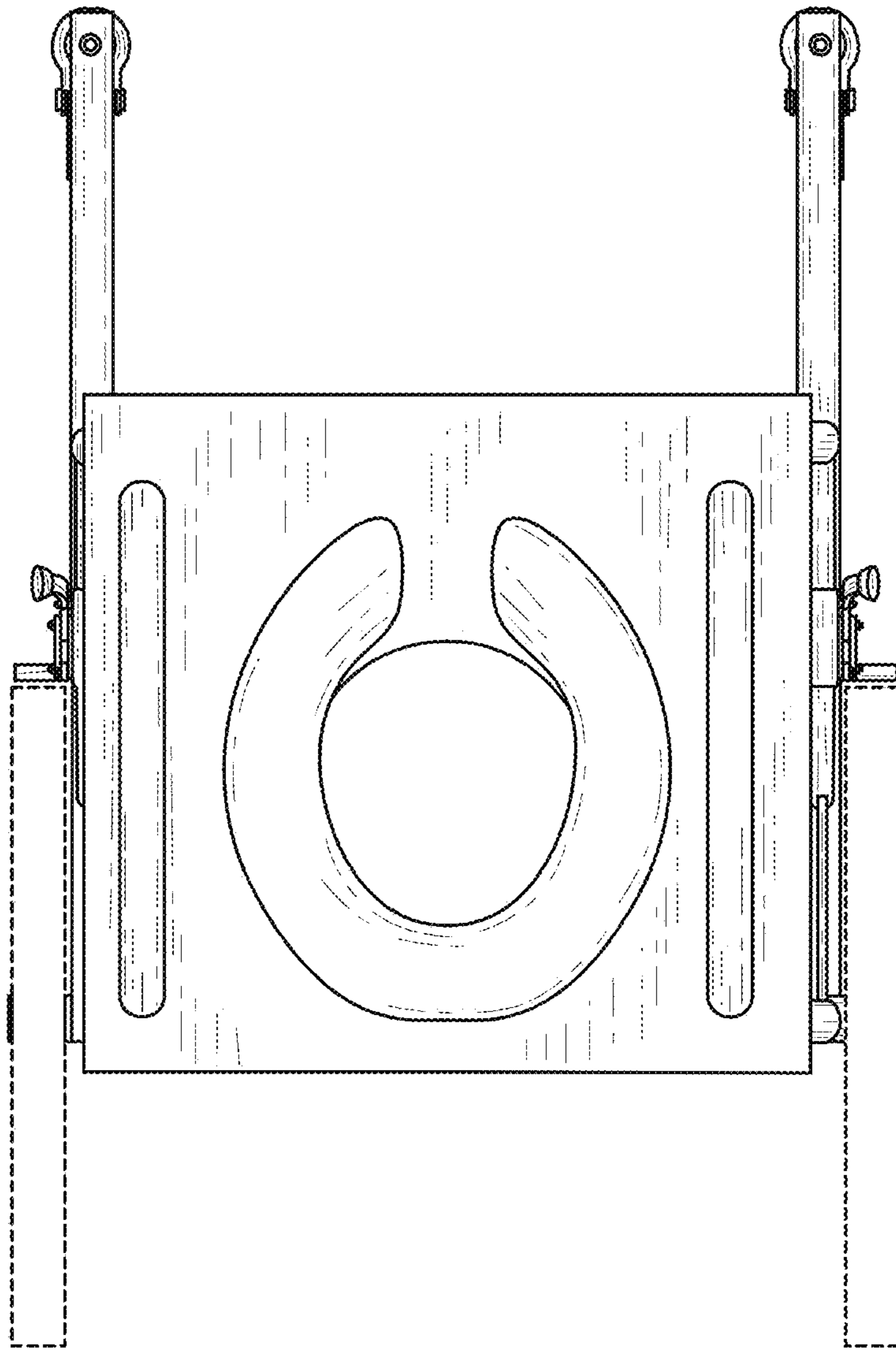


FIG. 6

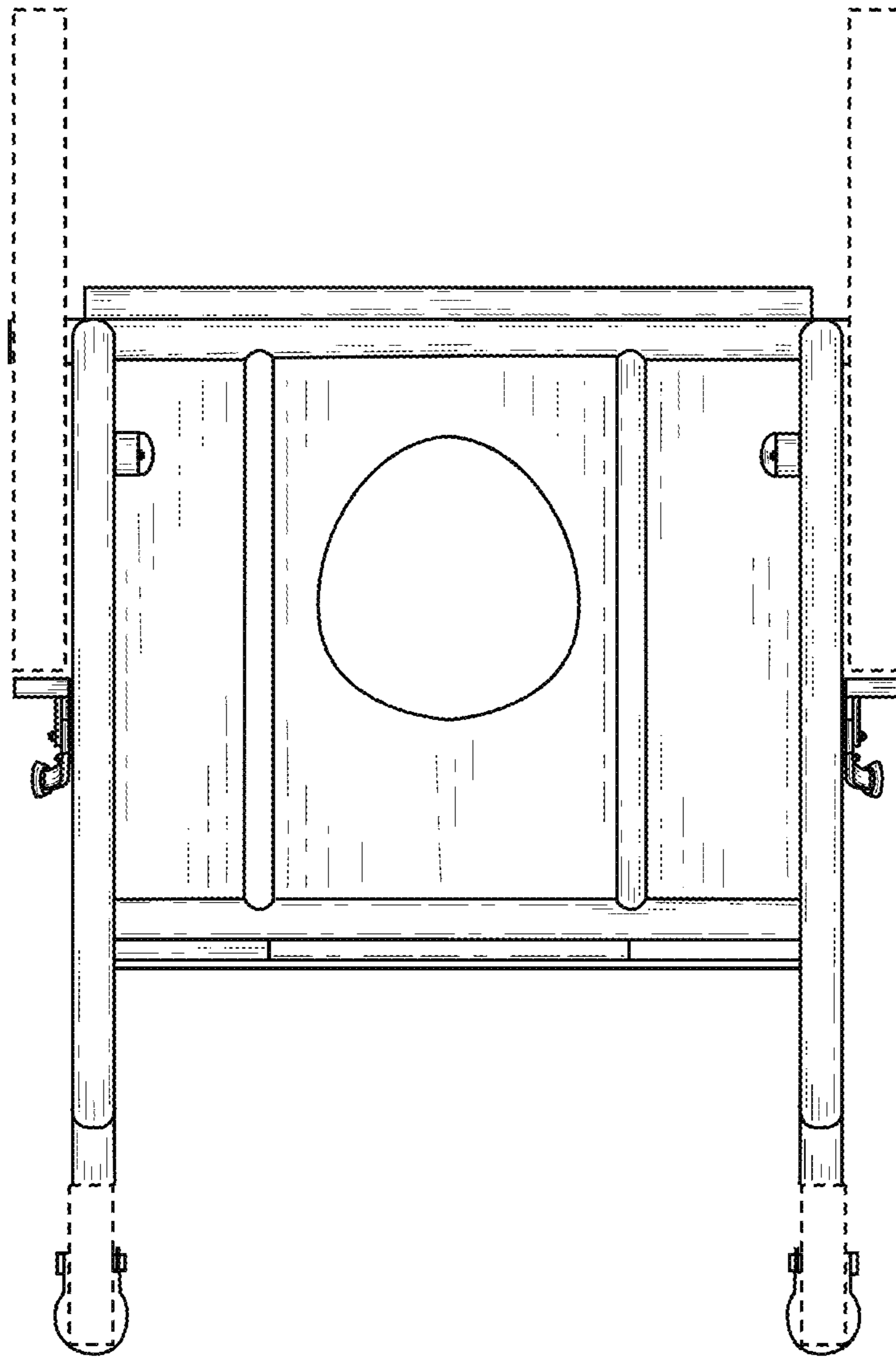


FIG. 7



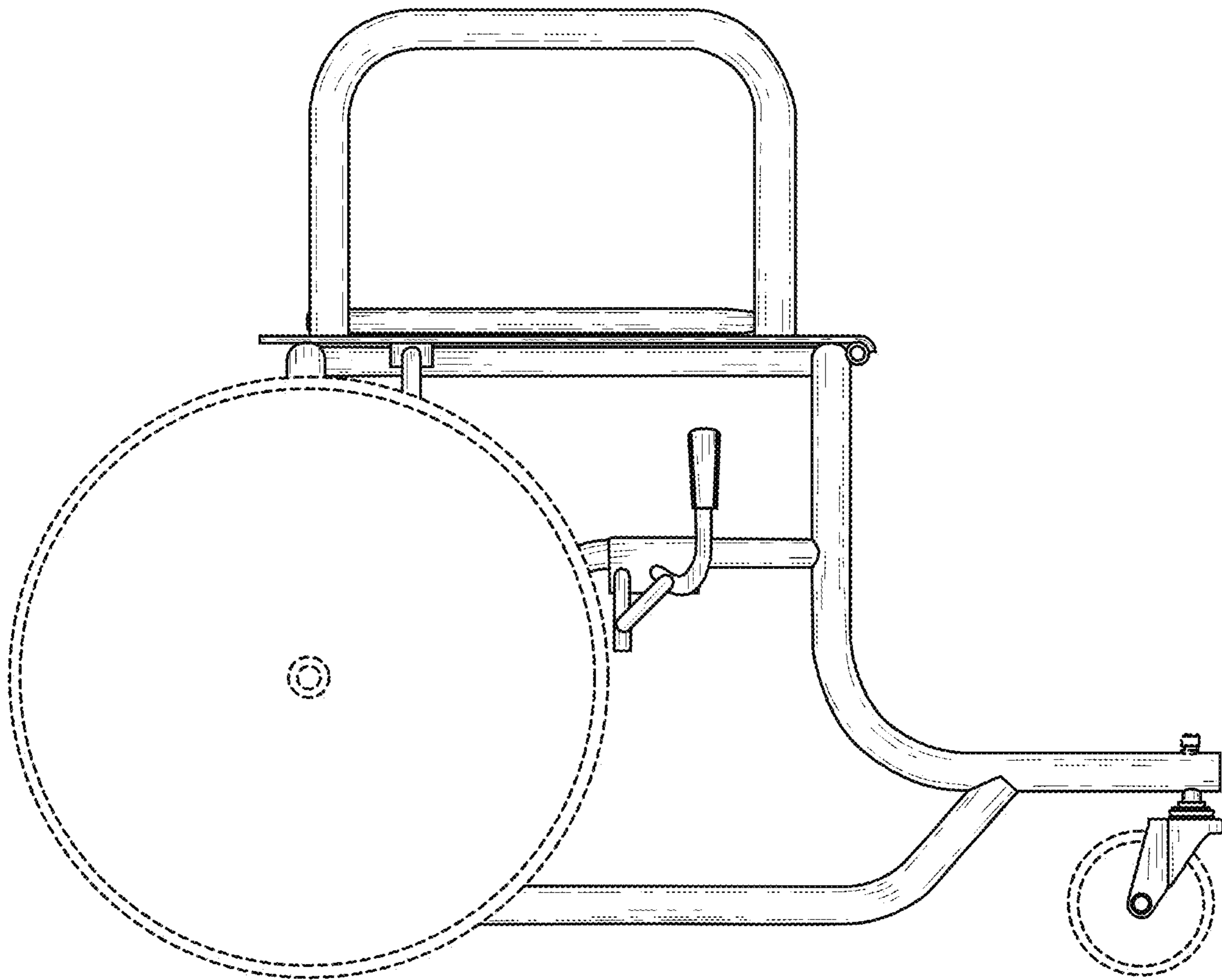


FIG. 8

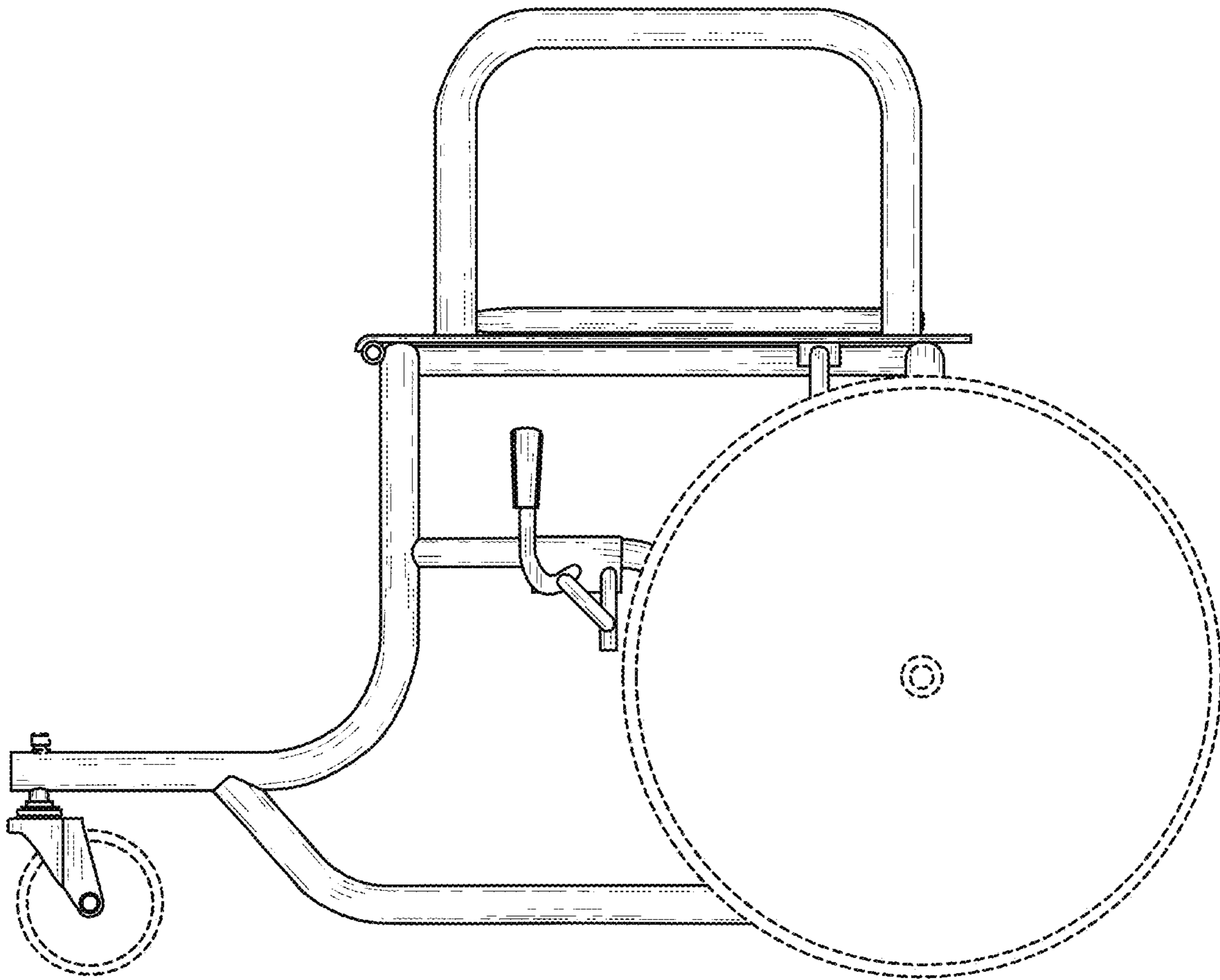


FIG. 9

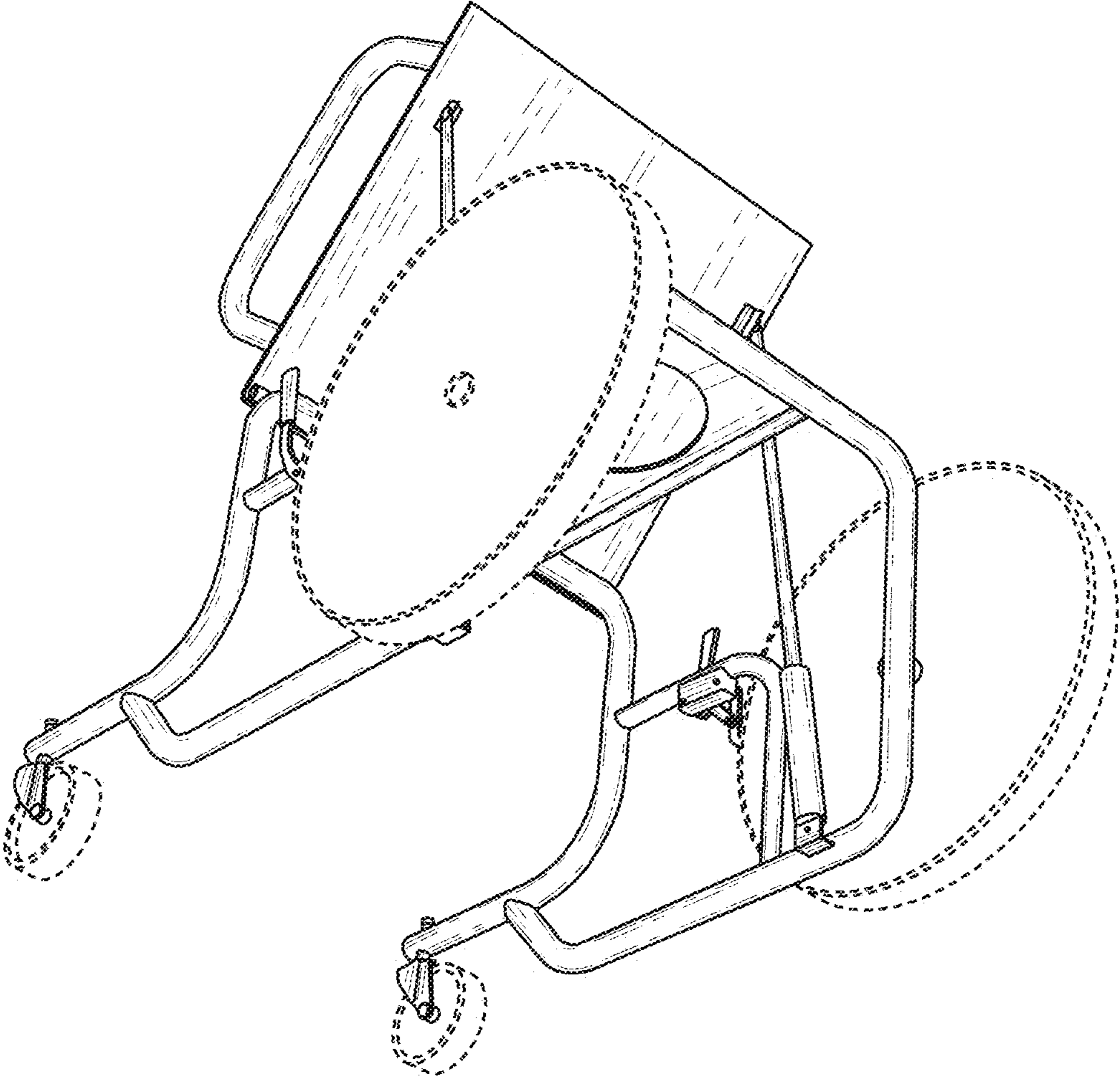


FIG. 10

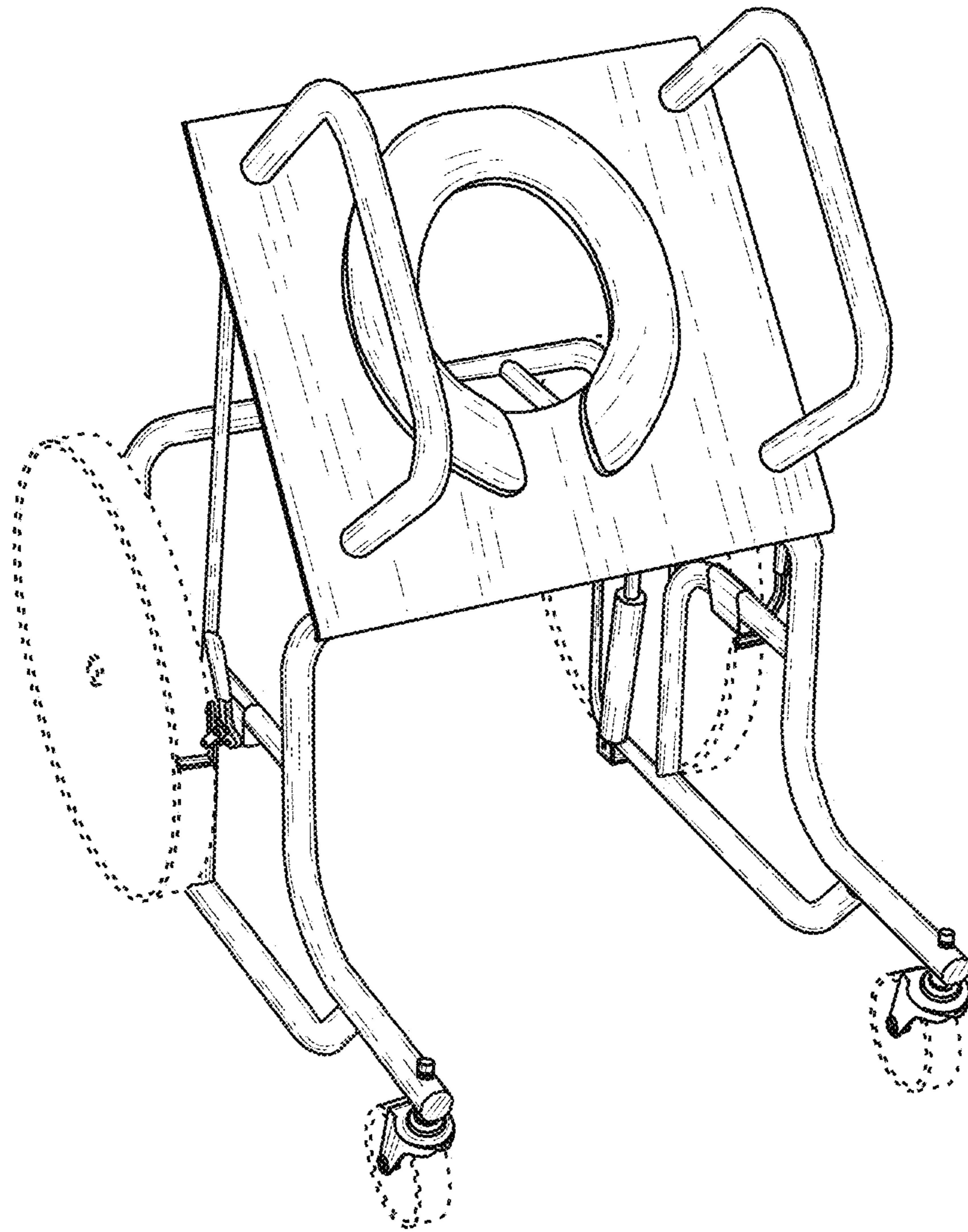


FIG. 11

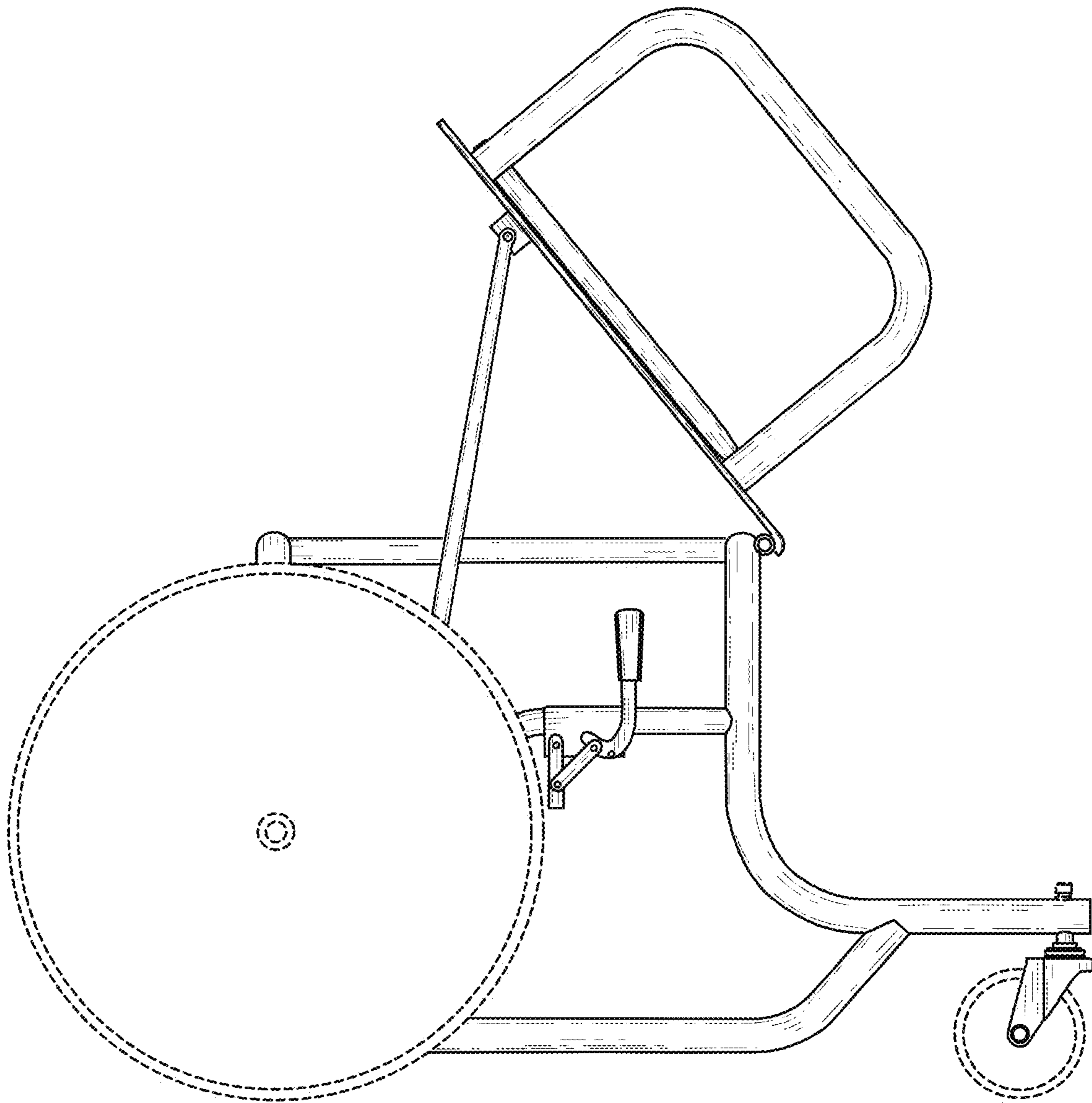


FIG. 12